

KICHLER®

48" VOLOS™ LED FAN

Product images may vary slightly from actual product.



INSTRUCTION MANUAL

TABLE OF CONTENTS

SAFETY RULES.....	4	ATTACHING THE FAN BLADES	12
TOOLS REQUIRED.....	5	ATTACHING THE 17W LED ASSEMBLY	13
PACKAGE CONTENTS.....	5	INSTALLING THE WALL TRANSMITTER	14
MOUNTING OPTIONS.....	6	OPERATION INSTRUCTION	15
HANGING THE FAN.....	7	TROUBLESHOOTING.....	17
MAKE THE ELECTRIC CONNECTIONS	8		
INSTALLATION OF SAFETY CABLE	9		
ATTACHING THE FAN MOTOR ASSEMBLY TO THE HANGER BRACKET	10		
FINISHING THE FAN INSTALLATION	11		

SAFETY RULES

1. To reduce the risk of electric shock, insure electricity has been turned off at the circuit breaker or fuse box before beginning.
2. All wiring must be in accordance with the National Electrical Code and local electrical codes. Electrical installation should be performed by a qualified licensed electrician.
3. **WARNING:** To reduce the risk of fire, electric shock, or personal injury, mount to outlet box marked "acceptable for fan support of 15.8 kg (35 lbs.) or less" and use mounting screws provided with the outlet box. Most outlet boxes commonly used for the support of light fixtures are not acceptable for fan support and may need to be replaced. Due to the complexity of the installation of this fan, a qualified licensed electrician is strongly recommended.

WARNING: TO REDUCE THE RISK OF FIRE, ELECTRIC SHOCK OR PERSONAL INJURY, MOUNT FAN TO OUTLET BOX MARKED "ACCEPTABLE FOR FAN SUPPORT".

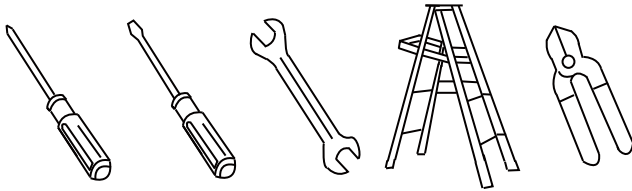
4. The outlet box and support structure must be securely mounted and capable of reliably supporting a minimum of 50 pounds. Use only CUL Listed outlet boxes marked "FOR FAN SUPPORT".
5. The fan must be mounted with a minimum of 7 feet clearance from the trailing edge of the blades to the floor.
6. To operate the reverse function on this fan, press the reverse button while the fan is running.

7. Avoid placing objects in the path of the blades.
8. To avoid personal injury or damage to the fan and other items, be cautious when working around or cleaning the fan.
9. Do not use water or detergents when cleaning the fan or fan blades. A dry dust cloth or lightly dampened cloth will be suitable for most cleaning.
10. After marking electrical connections, spliced conductors should be turned upward and pushed carefully up into outlet box. The wires should be spread apart with the grounded conductor and the equipment-grounding conductor on one side of the outlet box.
11. Electrical diagrams are reference only. Light kits that are not packed with the fan must be CUL Listed and marked suitable for use with the model fan you are installing. Switches must be CUL General Use Switches. Refer to the Instructions packaged with the light kits and switches for proper assembly.

WARNING: TO REDUCE THE RISK OF PERSONAL INJURY, DO NOT BEND THE BLADE BRACKETS (ALSO REFERRED TO AS FLANGES) DURING ASSEMBLY OR AFTER INSTALLATION. DO NOT INSERT OBJECTS IN THE PATH OF THE BLADES.

TOOLS REQUIRED

Philips screw driver
Blade screw driver
11 mm wrench
Step ladder
Wire cutters

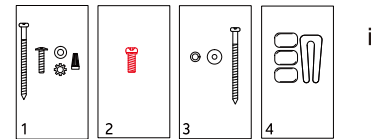
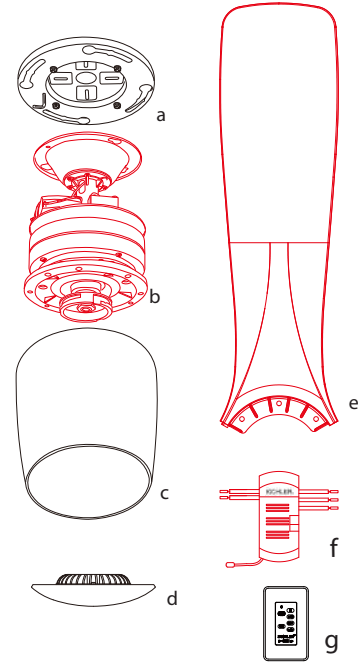


PACKAGE CONTENTS

Unpack your fan and check the contents. You should have the following items:

- a. Hanger bracket
- b. Fan motor assembly
- c. Fan housing
- d. 17W LED assembly
- e. Fan blades (3)
- f. Receiver with 6 wire nuts
- g. Wall transmitter

- i. Part bag contents
 - 1) Mounting hardware:
wood screws (2), flat washers (2),
star washers (2), wire nuts (3),
screws (2)
 - 2) Blade attachment hardware:
Blade Screw (9 + 2 spare)
 - 3) Safety cable hardware:
wood screw, spring washer,
flat washer
 - 4) Balance Kit



MOUNTING OPTIONS

If there isn't an existing UL (cUL for Canadian Installation) listed mounting box, then read the following instructions. Disconnect the power by removing fuses or turning off circuit breakers.

Secure the outlet box directly to the building structure. Use appropriate fasteners and building materials. The outlet box and its support must be able to fully support the moving weight of the fan (at least 50 lbs). Do not use plastic outlet boxes.

Figures 1, 2 and 3 are examples of different ways to mount the outlet box.

NOTE: If you are installing the ceiling fan on a sloped (vaulted) ceiling, you may need a longer downrod to maintain proper clearance between the tip of the blade and the ceiling. A minimum clearance of 12" is suggested for optimal operation.

NOTE: Depending on the location you have selected for installation, you may need to purchase and install a "Joist Hanger" for the support of the outlet box. Make sure the joist hanger you purchase has been designed for use with ceiling fans. (Fig. 4)

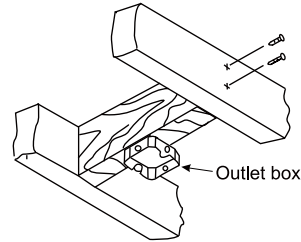


Fig. 1

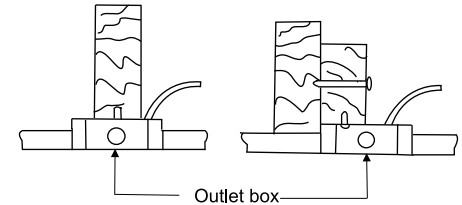


Fig. 2

**ANGLED CEILING
MAXIMUM 30° ANGLE**

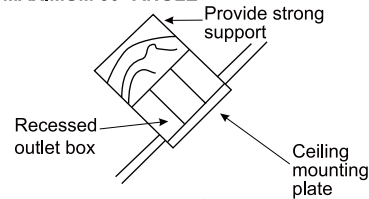


Fig. 3

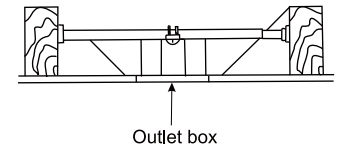


Fig. 4

HANGING THE FAN

REMEMBER to turn off the power. Follow the steps below to hang your fan properly:

Step 1. Pass the 120-volt supply wires through the center hole in the ceiling hanger bracket as shown in Fig. 5.

Step 2. Secure the hanger bracket to the ceiling outlet box with the screws and washers provided with your outlet box.

Step 3. Lift the fan into position by hanging the mounting plate portion of the fan motor assembly onto the J hook from the ceiling hanger bracket allowing it to hang freely.

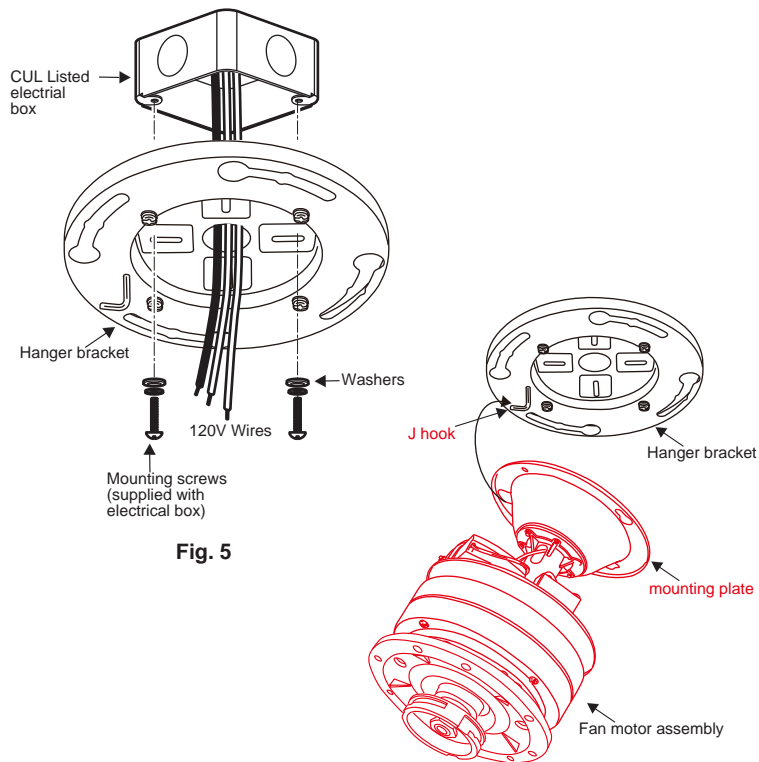


Fig. 5

Fig. 6

MAKE THE ELECTRIC CONNECTIONS

WARNING: To avoid possible electrical shock, be sure electricity is turned off at the main fuse box before wiring.

Step 1. (Fig. 8) Motor to House Supply Wires Electrical Connections: Connect the Black wire from the fan to the black (hot) wire from the ceiling. Connect the White wire from the fan to the white (neutral) wire from the ceiling. Secure wire connections with the plastic wire nuts provided.

Step 2. (Figure 8) If your outlet box has a ground wire (green or bare copper) connect it to the fan ground wires; otherwise, connect the hanging bracket ground wire to the mounting plate ground wire. Secure the wire connection with a plastic nut provided. After connecting the wires, spread them apart so that the green and white wires are on one side of the outlet box and black and blue wires are on the other side. Carefully tuck the wire connections up into the outlet box.

Note: Fan must be installed at a maximum distance of 30 feet from the wall transmitter for optimal signal transmission between the transmitter and the fan's receiving unit.

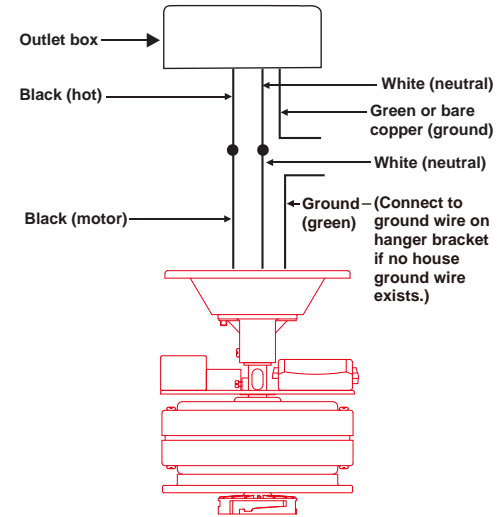


Fig. 8

INSTALLATION OF SAFETY CABLE

An additional safety cable is provided to prevent the fan from falling. Secure the safety cable to the ceiling joist with screw and washer, as illustrated in Figure 9.

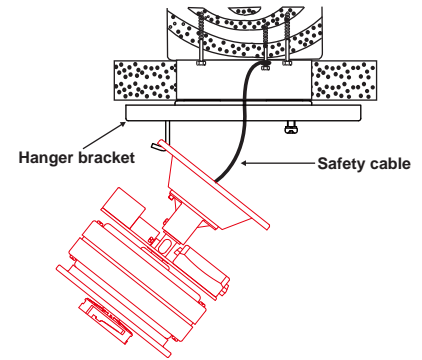


Fig. 9

ATTACHING THE FAN MOTOR ASSEMBLY TO THE HANGER BRACKET

Step 1. Remove one of the four screws on the hanger bracket and loosen, but do not remove, the other three screws.
Step 2. Remove the motor assembly from the J hook.
Step 3. Lift and place the key holes on the mounting plate over the three screws previously loosened on the hanger bracket and turn the mounting plate until it locks in place and no longer turns.
Step 4. Secure by tightening the three screws previously loosened and the screw previously removed.

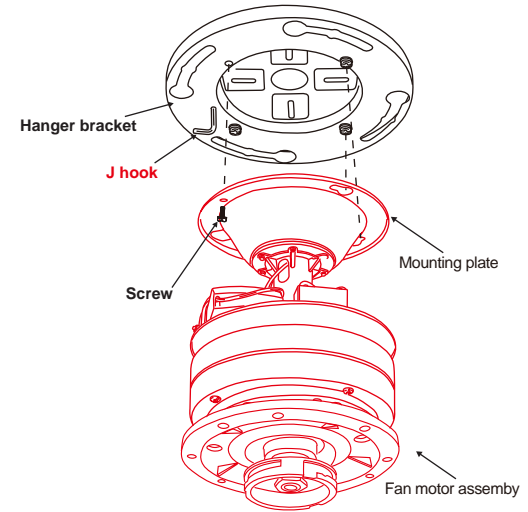


Fig. 10

FINISHING THE FAN INSTALLATION

Step 1. Align the four large screwheads pre-locked on the fan housing to the key holes of the hanger bracket.

Step 2. Turn the fan housing at the right side and twist the screwheads to the end of the slotted holes until they lock in place and no longer turn.

WARNING: Ensure you complete this step correctly and follow all steps. Failure to correctly follow this step might cause the fan to fall.

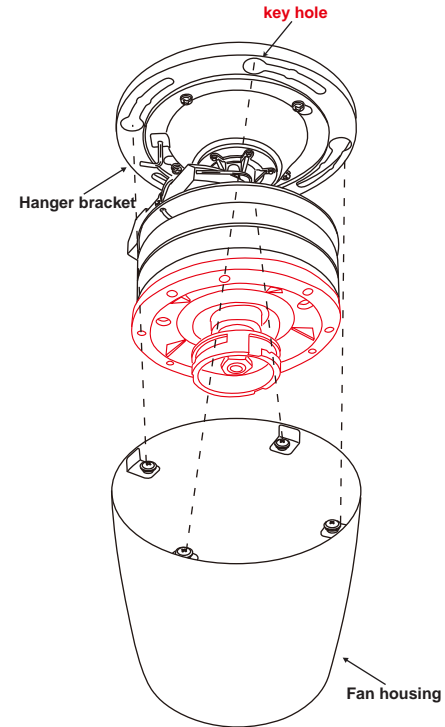


Fig. 11

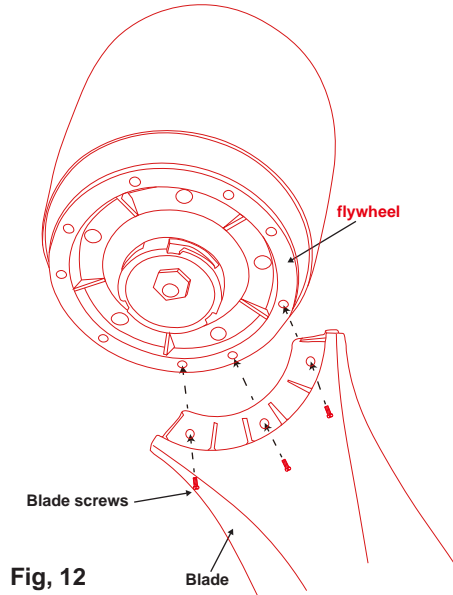
ATTACHING THE FAN BLADES

Step 1. Attach the fan blades to the flywheel using the blade screws and tighten them securely.

Step 2. Repeat this step with the other blades.

NOTE: When installing the blades, ensure the sides with “THIS SIDE UP” face the ceiling.

CAUTION: Make sure all screws are tightened securely.



Fig, 12

ATTACHING THE 17W LED ASSEMBLY

NOTE : Before starting installation, disconnect the power by turning off the circuit breaker or removing the fuse at fuse box. Turning power off using the fan switch is not sufficient to prevent electric shock.

Step 1. While holding the 17W LED assembly under your fan, firmly snap the wire connection plugs together.

Step 2. Attach the 17W LED assembly to the switch box by twisting tightly.

NOTE: This is an integrated LED light kit assembly and can not be disassembled to prevent electronic shock.

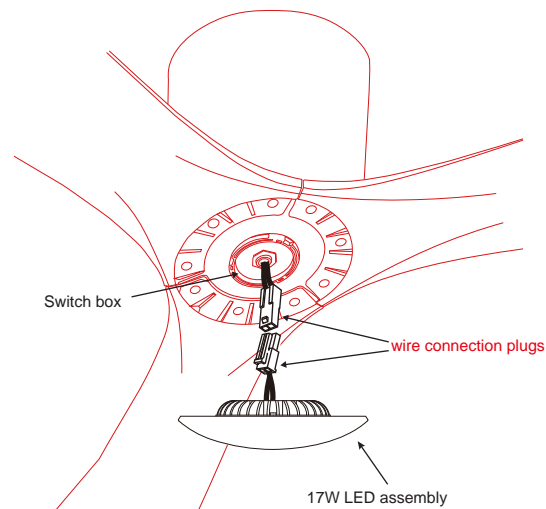


Fig. 13

INSTALLING THE WALL TRANSMITTER

WARNING: HOOK UP 'IN SERIES" ONLY. DO NOT CONNECT NEUTRAL SUPPLY WIRE OF ELECTRIC CIRCUIT TO THE TRANSMITTER WALL SWITCH, DAMAGE TO THE TRANSMITTER WALL SWITCH AND POSSIBLE FIRE COULD OCCUR.

- Step 1. Remove the existing wall plate and switch from the wall outlet box.(Fig.14)
- Step 2. Make the electrical connections as shown in Fig.15 . If your outlet box has a ground wire (Green or Bare Copper) connect the transmitter's ground wire directly to one of the screws from the outlet box. Secure all wire connections with the plastic wire nuts provides.
- Step 3. Carefully tuck the wire connections inside the wall outlet box . Use the screws provided to secure the wall transmitter and wall plate to the wall outlet box.

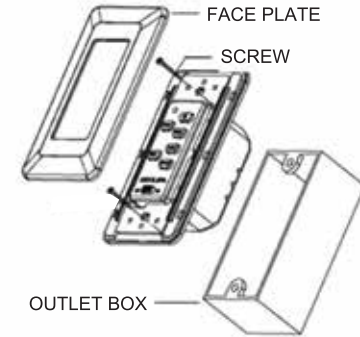


Fig. 14

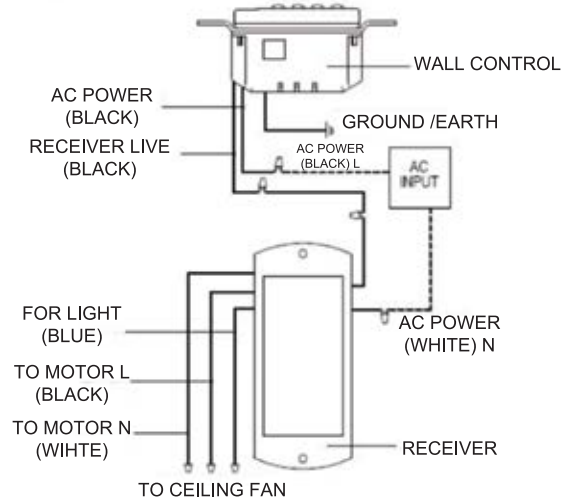


Fig. 15

OPERATION INSTRUCTION

ACTIVATING THE LEARNING PROCESS(Fig.16)

NOTE: The control system for this fan is equipped with a learning frequency function which has 56K code combinations to prevent potential interference from other remote units. The frequency on your receiver and wall transmitter units have been preset at the factory. No frequency change is necessary. If the fan is non-functional or if you desire to install another fan within the same home or area with a separate frequency code, please see below "learning process" section of this instruction manual to code-pairing the receiver and wall transmitter.

1. Use a small flat screw driver and gently pry the faceplate apart from the top of wall transmitter. (Fig.16)
2. After installation is complete, AC power is turned on and OFF/ON SWITCH is at ON position within 30 seconds, press and hold the LEARN button for 3 seconds. Fan will turn on at medium speed and light (if installed) will turn on. This confirms that the SMART SYNC setting is active and ok. (FIG.16)
3. If user cannot finish the setting within the 30 seconds time frame, the main power must be turned off and re-started again. This will reset the unit. Repeat step 2 until the LEARNING feature is activated as indicated.

LIGHT FUNCTION SELECT SWITCH(Fig.16)

1. D means " dimmer "
O means " only on/off, no dimmer "
The light of this fan can be dimmer, so it has been set to "D" at factory side. If you want the light to be only on/off ,please kindly switch it to "O"

WALL TRANSMITTER OPERATION (Fig. 17)

- ON/OFF: Active the wall transmitter or Lock the wall transmitter.
FAN OFF :Turn off the ceiling fan.
HI : Turn on the fan at high speed.
MED : Turn on the fan at medium speed.
LOW: Turn on the fan at low speed.
LIGHT: Turns the light ON or OFF. Press and hold the button to set the desired brightness.
REV: Press this button for forward/reverse airflow of ceiling fan.

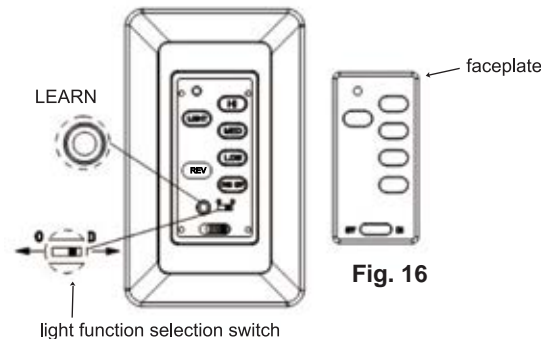


Fig. 16

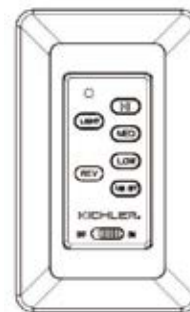


Fig. 17

REVERSE FUNCTION

NOTE: To change the direction of the rotation of the blades, the fan must be in operation.

Warm weather - Forward (counter clockwise) A downward airflow creates a cooling effect as shown in Fig. 18. This allows you to set your air conditioner on a warmer setting without affecting your comfort.

Cool weather - Reverse (clockwise) An upward airflow moves warm air off the ceiling area as shown in Fig. 19. This allows you to set your heating unit on a cooler setting without affecting your comfort.

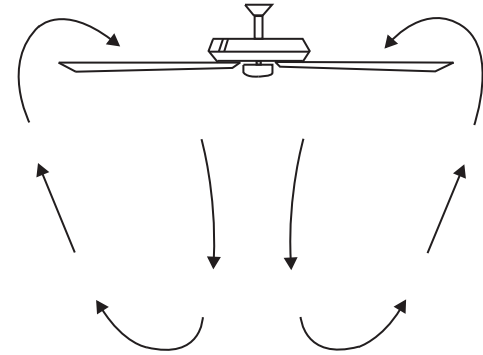


Fig. 18

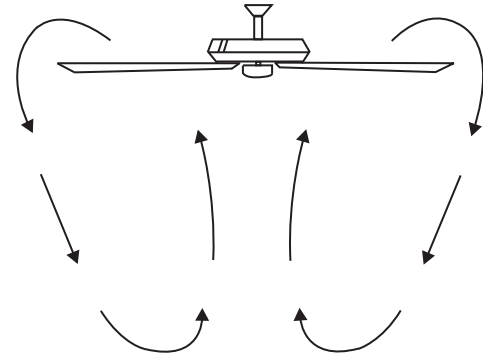


Fig. 19

TROUBLESHOOTING

Problem	Solution
Fan will not start.	<ol style="list-style-type: none">1. Check circuit fuses or breakers.2. Check all electrical connections to insure proper contact. <p>CAUTION: Make sure the main power is OFF when checking any electrical connection.</p>
Fan sounds noisy.	<ol style="list-style-type: none">1. Make sure all motor housing screws are snug.2. Make sure the screws that attach the fan blade brackets to the motor are tight.3. Make sure wire nut connections are not rubbing against each other or the interior wall of the switch housing. CAUTION: Make sure main power is off.4. Allow a 24-hour "breaking-in" period. Most noise associated with a new fan disappear during this time.5. If using an optional light kit, make sure the screws securing the glassware are tight. Make sure the light bulbs are not touching any other component.6. Do not connect this fan to wall mounted variable speed control(s). they are not compatible with ceiling fan motors or remote controls.7. Make sure the upper canopy is a short distance from the ceiling. It should not touch the ceiling.
Fan wobble.	<ol style="list-style-type: none">1. Check that all blade and blade arm screws are secure.2. Most fan wobbling problems are caused when blade levels are unequal. Check this level by selecting a point on the ceiling above the tip of one of the blades. Measure this distance. Rotate the fan until the next blade is positioned for measurement. Repeat for each blade. The distance deviation should be equal within 1/8".3. If the blade wobble is still noticeable, interchanging two adjacent (side by side) blades can redistribute the weight and possibly result in smoother operation.
Remote control malfunction.	<ol style="list-style-type: none">1. Ceiling Fans with remote control systems CAN NOT be operated in conjunction with any other control system EXCEPT a basic On/Off wall switch, if desired.

KICHLER®

www.kichler.com

KICHLER® LIGHTING

7711 EAST PLEASANT VALLEY ROAD P.O. BOX 318010

CLEVELAND, OHIO 44131-8010

CUSTOMER SERVICE 866.558.5706

8:30 AM TO 5:00 PM EST, MONDAY - FRIDAY

KICHLER®

VENTILADOR CON LED DE 48" VOLOS™

Las imágenes del producto pueden variar levemente respecto del producto real.



MANUAL DE INSTRUCCIONES

TABLE OF CONTENTS

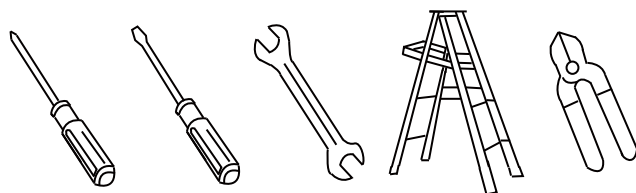
NORMAS DE SEGURIDAD	4	MONTAR LAS ASPAS DE VENTILADOR	12
HERRAMIENTAS REQUERIDAS	5	MONTAR EL CONJUNTO DE LED DE 17W	13
CONTENIDO DEL ENVASE.....	5	INSTALAR EL TRANSMISOR DE PARED	14
OPCIONES DE MONTAJE.....	6	INSTRUCCIONES DE FUNCIONAMIENTO.....	15
CÓMO COLGAR EL VENTILADOR.....	7	LOCALIZACIÓN Y RESOLUCIÓN DE PROBLEMAS	17
HACER LAS CONEXIONES ELÉCTRICAS.....	8		
INSTALACION DE CABLE DE SEGURIDAD	9		
MONTAR EL CONJUNTO DE MOTOR DE VENTILADOR AL SOPORTE DE SUSPENSIÓN.....	10		
TERMINAR LA INSTALACION DEL VENTILADOR	11		

NORMAS DE SEGURIDAD

1. Para reducir el riesgo de descarga eléctrica, asegúrese de haber cortado el suministro de energía desde el disyuntor o la caja de fusibles antes de comenzar.
 2. Todo el cableado debe realizarse conforme a lo establecido por el Código de Electricidad Nacional y a los códigos eléctricos locales. La instalación eléctrica debe ser realizada por un electricista con licencia profesional.
 3. **ADVERTENCIA:** Para reducir el riesgo de incendio, descarga eléctrica o lesiones personales, instale el dispositivo en una caja de distribución eléctrica designada como "Aceptable para soporte de ventiladores de 15,8 kg (35 libras) o menos" y use tornillos de montaje provistos con la caja de distribución eléctrica. La mayoría de las cajas de distribución eléctrica utilizadas comúnmente para el soporte de artefactos de iluminación no resultan adecuadas para el soporte de ventiladores y pueden requerir un reemplazo. Debido a la complejidad de la instalación de este ventilador, se recomienda contratar los servicios de un electricista con licencia profesional.
- ADVERTENCIA; PARA REDUCIR EL RIESGO DE INCENDIO, DESCARGA ELÉCTRICA O LESIONES PERSONALES, INSTALE EL VENTILADOR ÚNICAMENTE EN UNA CAJA DE DISTRIBUCIÓN ELÉCTRICA "ACEPTABLE PARA EL SOPORTE DE VENTILADORES".**
4. La caja de distribución eléctrica y la estructura de soporte deben instalarse en forma segura y ser capaces de soportar completamente un peso mínimo de 50 libras. Utilice únicamente cajas de distribución eléctrica con certificación CUL designadas como "ACEPTABLES PARA SOPORTE DE VENTILADORES".
 5. El ventilador debe instalarse con una distancia mínima de 7 pies entre el borde posterior de las aspas y el piso.
 6. Para operar la función inversa en este ventilador, oprima el botón de sentido inverso mientras el ventilador esté funcionando.
 7. Evite colocar objetos en el recorrido de las aspas del ventilador.
 8. Para evitar lesiones personales o daños al ventilador y otros objetos, tome todos los recaudos necesarios al limpiar o trabajar en el ventilador.
 9. No utilice agua ni detergente para limpiar el ventilador o las aspas del ventilador. Un paño seco o levemente humedecido será suficiente para realizar la mayoría de las tareas de limpieza.
 10. Después de realizar las conexiones eléctricas, los empalmes de los conductores deben colocarse hacia arriba y empujarse con cuidado hacia arriba hasta introducirse en la caja de distribución eléctrica. Los cables deben estar bien espaciados con el conductor de puesta a tierra y el conductor de puesta a tierra del equipo de un costado de la caja de distribución eléctrica.
 11. Los diagramas eléctricos se incluyen únicamente a efectos ilustrativos. Los kits de iluminación no incluidos con el ventilador deben contar con certificación CUL y estar autorizados para uso con el modelo de ventilador que usted esté instalando. Los interruptores deben ser interruptores de uso general con certificación CUL. Consulte las instrucciones que se incluyen con los kits de iluminación y los interruptores para un ensamblaje adecuado.
- ADVERTENCIA: PARA REDUCIR EL RIESGO DE LESIONES PERSONALES, NO CURVE LOS SOPORTES DE LAS ASPAS (TAMBIÉN DENOMINADOS ABRAZADERAS) DURANTE EL ENSAMBLAJE O DESPUÉS DE LA INSTALACIÓN. NO INSERTE OBJETOS EN EL RECORRIDO DE LAS ASPAS**

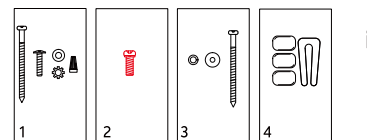
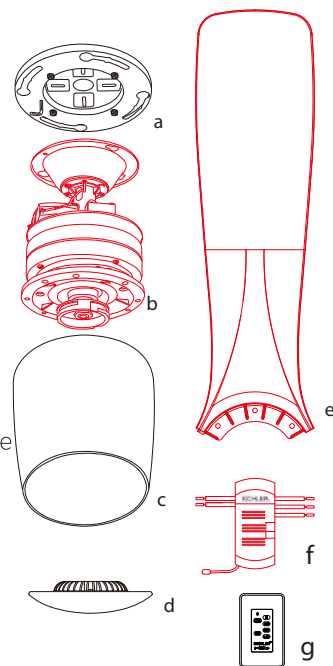
HERRAMIENTAS REQUERIDAS CONTENIDO DEL ENVASE

Destornillador Philips
Destornillador plano
Llave de 11 mm
Escalera
Cortacables



Retire el ventilador de la caja y verifique que estén todos sus componentes. La caja debería contener los siguientes elementos:

- a. Soporte de suspensión
- b. Conjunto de motor de ventilador
- c. Carcasa de ventilador
- d. Conjunto de LED de 17W
- e. Aspas de ventilador(3)
- f. Receptor con 6 tuercas de cable
- g. Transmisor de pared
- i. Contenido de la bolsa de piezas
 - 1) Piezas metálicas de montaje: tirafondos (2), arandelas planas (2), arandelas de estrella (2), tuercas para cable (3), tornillos (2)
 - 2) Piezas metálicas para acoplamiento de las aspas:
Tornillo de aspas (9 + 2 de repuesto)
 - 3) Piezas metálicas del cable de seguridad: Tirafondos, arandela de seguridad, arandela plana
 - 4) Kit de balanceo



OPCIONES DE MONTAJE

Si no hay ninguna caja de montaje existente con certificación UL (cUL para instalación en Canadá), entonces lea las siguientes instrucciones. Desconecte el suministro de energía eléctrica retirando los fusibles o apagando los disyuntores.

Sujete la caja de distribución directamente a la estructura de la construcción. Utilice tornillos de fijación y materiales de construcción adecuados. La caja de distribución eléctrica y su soporte deben ser capaces de soportar completamente el peso en movimiento del ventilador (por lo menos 50 libras). No utilice cajas de distribución eléctrica de plástico.

Las figuras 1, 2 y 3 son ejemplos de diferentes formas de montaje de la caja de distribución.

NOTA: Si usted está instalando el ventilador de techo en un cielorraso cóncavo (abovedado), es posible que necesite un vástago de extensión más largo para mantener la separación adecuada entre el extremo de las aspas y el techo. Se recomienda una separación de 12" para un funcionamiento óptimo.

NOTA: Dependiendo del lugar que haya seleccionado para la instalación, es posible que usted necesite comprar e instalar un "colgante de viga" para el soporte de la caja de distribución eléctrica. Asegúrese de que el colgante de viga que compre se haya diseñado para uso con ventiladores de techo. (Fig. 4)

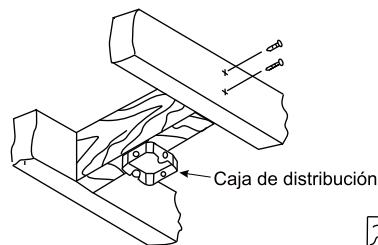


Fig. 1

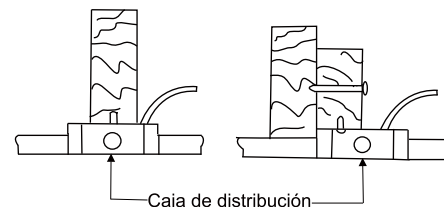


Fig. 2

CIELORRASO EN ÁNGULO, MÁXIMO DE 30°

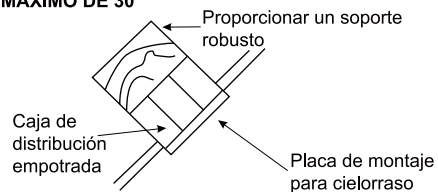


Fig. 3

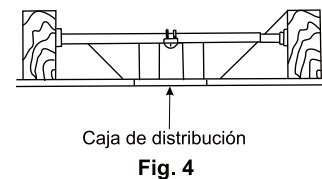


Fig. 4

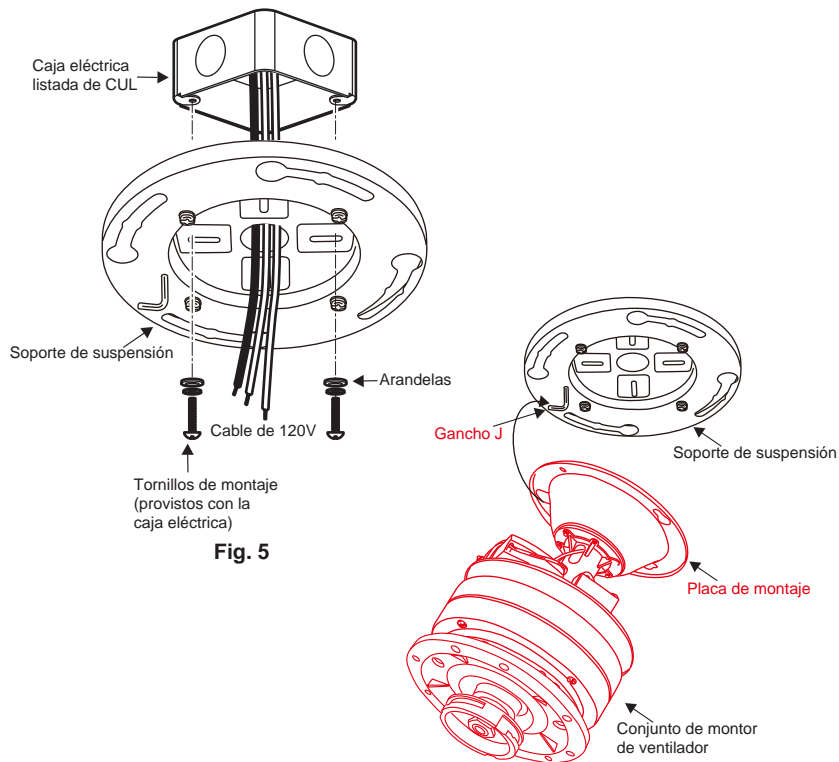
COLGAR EL VENTILADOR

ASEGÚRESE DE desconectar la alimentación eléctrica. Siga los pasos a continuación para colgar su ventilador correctamente:

Paso 1. Pase los cables de alimentación de 120 voltios a través del orificio central en el soporte de suspensión del techo como se muestra en la Fig. 5.

Paso 2. Fije el soporte de suspensión a la caja de salida del techo con los tornillos y arandelas provistos con su caja de salida.

Paso 3. Levante el ventilador en posición a través de colgar la placa de montaje del conjunto de motor de ventilador en el gancho J del soporte de suspensión del techo, permitiendo que se pueda colgar libremente.



HACER LAS CONEXIONES ELÉCTRICAS

ADVERTENCIA: Para evitar posibles descargas eléctricas, asegúrese de que la alimentación eléctrica esté apagada en la caja de fusible principal antes de realizar el cableado.

Paso 1. (Fig. 8) Conexiones Eléctricas del Motor a los Cables de Alimentación Eléctrica de Casa:

Conecte el cable negro del ventilador al cable negro (vivo) del techo. Conecte el cable blanco del ventilador al cable blanco (neutro) del techo. Fije las conexiones de los cables con las tuercas de plástico proporcionadas.

Paso 2. (Figura 8) Si su caja de salida tiene un cable de tierra (verde y cobre desnudo), conéctelo a los cables de tierra del ventilador; de lo contrario, conecte el cable de tierra del soporte de suspensión al cable de tierra de la placa de montaje. Después de conectar los cables, sepárelos de manera que los cables verde y blanco estén en un lado de la caja de salida y los cables negro y azul estén en el otro lado. Introduzca las conexiones de cables en la caja de salida con cuidado.

Nota: El ventilador debe instalarse a una distancia máxima de 30 pies del transmisor de pared, para lograr una transmisión óptima de la señal entre el transmisor y la unidad receptora del ventilador.

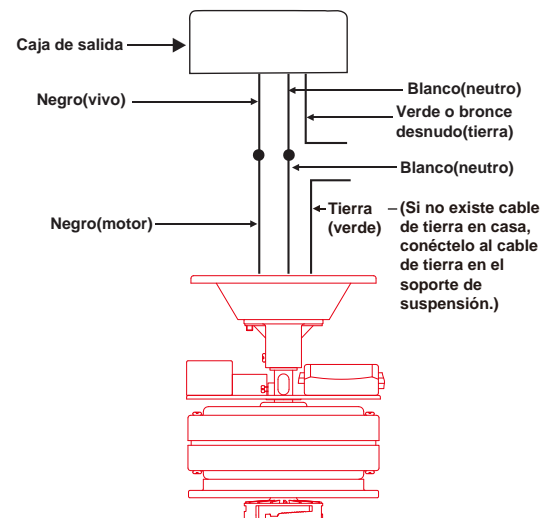


Fig. 8

INSTALACION DE CABLE DE SEGURIDAD

Se proporciona un cable de seguridad adicional para evitar que el ventilador se caiga.

Fije el cable de seguridad a la vigueta del techo con tornillo y arandela, como se muestra en la Figura 9.

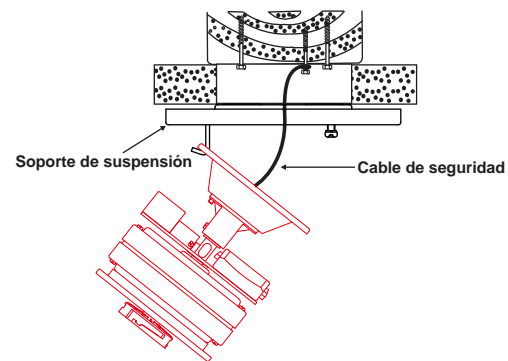


Fig. 9

MONTAR EL CONJUNTO DE MOTOR DE VENTILADOR AL SOPORTE DE SUSPENSIÓN

Paso 1. Retire uno de los cuatro tornillos en el soporte de suspensión, y afloje pero no quite los otros tres tornillos.

Paso 2. Retire el conjunto del motor del gancho J.

Paso 3. Levante y coloque los orificios de llave en la placa de montaje sobre los tres tornillos aflojados previamente en el soporte de suspensión y gire la placa de montaje hasta que se encaje en su lugar y ya no se gire.

Paso 4. Apriete los tres tornillos aflojados previamente y el tornillo quitado previamente.

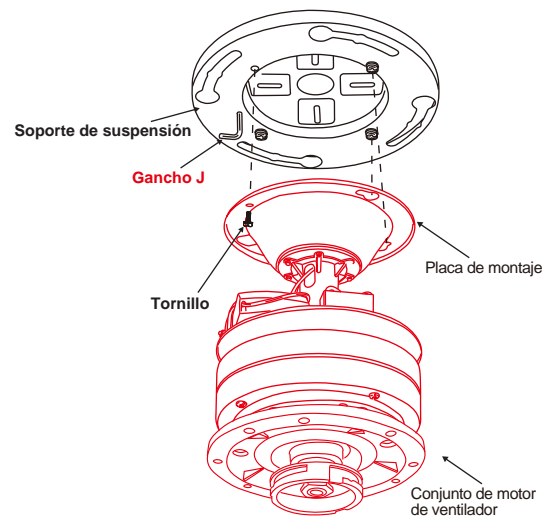


Fig. 10

TERMINAR LA INSTALACION DEL VENTILADOR

Paso 1. Alinee las cuatro cabezas grandes de tornillos prebloqueados en la carcasa del ventilador a los orificios de llave del soporte de suspensión.

Paso 2. Gire la carcasa del ventilador en el lado derecho y mueva las cabezas de los tornillos al extremo de los orificios ranurados hasta que se encajen en su lugar y ya no se giren.

ADVERTENCIA: Asegúrese de completar este paso correctamente y siga todos los pasos. Si no sigue este paso correctamente, el ventilador podría caerse.

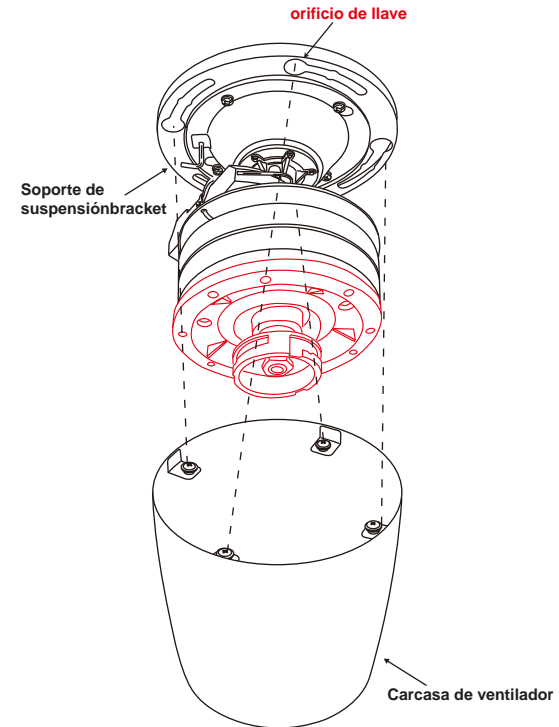


Fig. 11

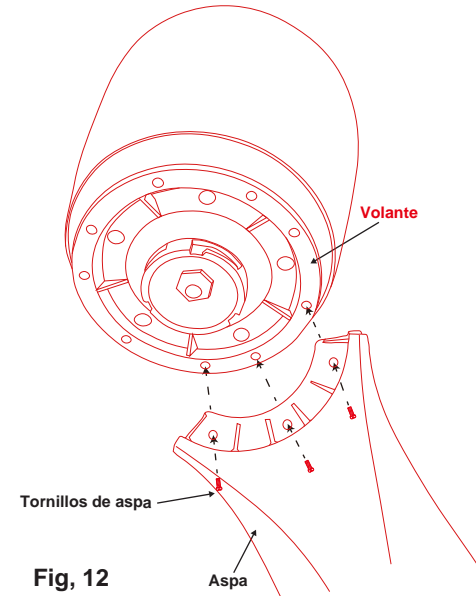
MONTAR LAS ASPAS DE VENTILADOR

Paso 1. Monte las aspas del ventilador al volante con los tornillos de aspa y apriételas firmemente.

Paso 2. Repita este paso para las otras aspas.

NOTA: Al instalar las aspas, asegúrese de que los lados con "ESTE LADO HACIA ARRIBA" estén orientados hacia el techo.

PRECAUCIÓN: Asegúrese de que todos los tornillos estén bien apretados.



MONTAR EL CONJUNTO DE LED DE 17W

NOTA: Antes de comenzar la instalación, desconecte la alimentación apagando el disyuntor o retirando el fusible de la caja de fusibles. Solamente apagar el interruptor del ventilador no es suficiente evitar descargas eléctricas.

Paso 1. Mientras sostiene el conjunto de LED de 17W debajo de su ventilador, sujete firmemente los enchufes de conexión de cable.

Paso 2. Monte el conjunto de LED de 17W a la caja de interruptor a través de girarlo firmemente.

NOTA: Es un conjunto de kit de luz de LED integrado y no se puede desarmar, de lo contrario podría provocar descargas eléctricas.

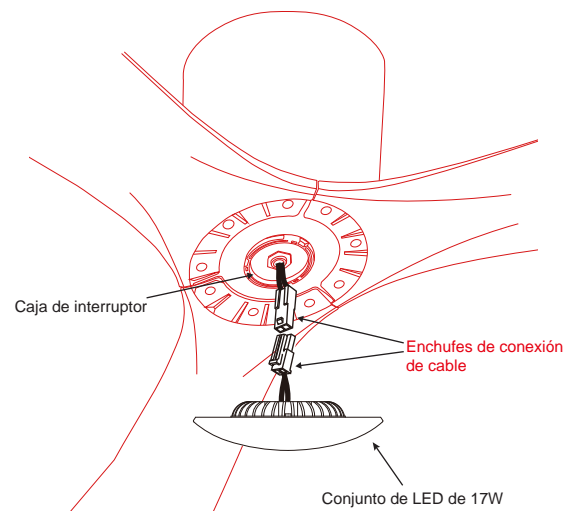


Fig. 13

INSTALACIÓN DEL TRANSMISOR DE PARED

ADVERTENCIA: CONECTE ÚNICAMENTE "EN SERIE". NO CONECTE EL CABLE DE ALIMENTACIÓN BLANCO DEL CIRCUITO ELÉCTRICO CON EL INTERRUPTOR DEL TRANSMISOR DE PARED; SE PODRÍA DAÑAR EL INTERRUPTOR DEL TRANSMISOR DE PARED Y PODRÍA PROVOCARSE UN INCENDIO.

Paso 1. Retire la placa de pared y el interruptor existentes de la caja de distribución eléctrica. (Fig.14)

Paso 2. Haga las conexiones eléctricas tal como se muestra en la Fig. 15. Si su caja de distribución tiene un cable de puesta a tierra (verde o cobre sin recubrimiento), conecte el cable de puesta a tierra del transmisor directamente a uno de los tornillos de la caja de distribución eléctrica. Asegure todas las conexiones de cables con las tuercas plásticas proporcionadas.

Paso 3. Empuje con cuidado todas las conexiones de cables dentro de la caja de distribución eléctrica de pared. Utilice los tornillos proporcionados para asegurar el transmisor de pared y la placa de pared a la caja de distribución eléctrica de pared.

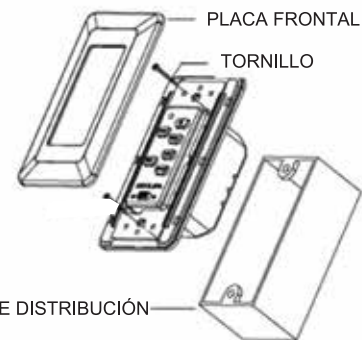


Fig. 14

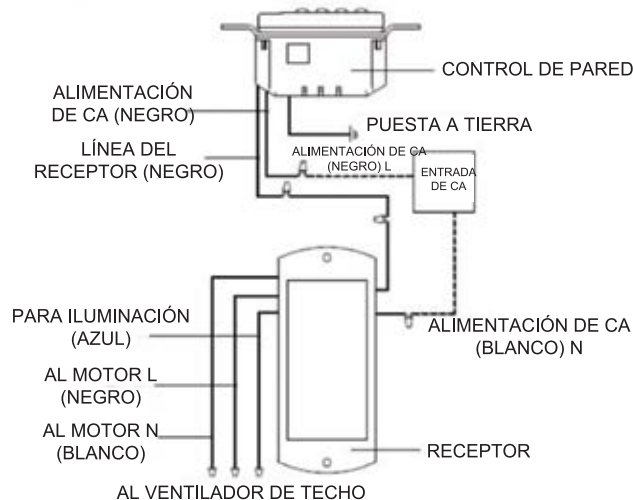


Fig. 15

INSTRUCCIONES DE FUNCIONAMIENTO

ACTIVACIÓN DEL PROCESO DE OBTENER INFORMACIÓN (FIG.16)

NOTA: El sistema de control de este ventilador está equipado con una función de obtener información de frecuencia con 56K posibles combinaciones de códigos para evitar la interferencia desde otras unidades remotas.

La frecuencia de las unidades del receptor y el transmisor de pared viene configurada de fábrica. No se requiere ningún cambio de frecuencia. Si el ventilador no es funcional o si usted desea instalar otro ventilador en el mismo hogar o área con un código de frecuencia separado, consulte la sección "Proceso de obtener información" de este Manual de instrucciones para emparejar el código del receptor y del transmisor de pared.

1. Utilice un destornillador plano pequeño y retire suavemente la placa frontal de la parte superior del transmisor de pared. (Fig.16)
2. Una vez finalizada la instalación, encienda la CA y el INTERRUPTOR OFF/ON estará en posición ON. Dentro de los 30 segundos, oprima el botón LEARN (OBTENER INFORMACION) durante 3 segundos. El ventilador se encenderá a velocidad media y se encenderá la luz (si estuviera instalada). Esto confirma que la configuración de SINCRONIZACIÓN INTELIGENTE está activa y funciona de manera adecuada. (Fig.16)
3. Si el usuario no puede completar la configuración dentro del intervalo de 30 segundos, deberá desconectar el suministro eléctrico principal y reiniciar el proceso. Esto reiniciará la unidad. Repita el paso 2 hasta que la función del botón LEARN (OBTENER INFORMACIÓN) se active conforme a lo indicado.

INTERRUPTOR DE SELECCIÓN DE FUNCIÓN DE ILUMINACIÓN (Fig.16)

1. D significa "dispositivo de regulación de la intensidad de la luz" O significa " sólo on/off, sin dispositivo de regulación de intensidad de la luz" La luz de este ventilador puede regularse, por ello se ha establecido como "D" de fábrica. Si usted desea que la luz pueda apagarse y encenderse únicamente, cambie el interruptor a "O"

FUNCIONAMIENTO DEL TRANSMISOR DE PARED (Fig. 17)

ON/OFF (ENCENDIDO/APAGADO): Activa el transmisor de pared o bloquea el transmisor de pared.

FAN OFF (VENTILADOR APAGADO): Apaga el ventilador de techo.

HI: Enciende el ventilador a alta velocidad.

MED: enciende el ventilador a velocidad media.

LOW (BAJA): Enciende el ventilador a baja velocidad.

LIGHT (ILUMINACIÓN): Enciende o apaga la luz. Presione y mantenga presionado el botón para establecer el brillo deseado.

REV (SENTIDO INVERSO): Presione este botón para cambiar el sentido de rotación de las aspas del ventilador de techo.

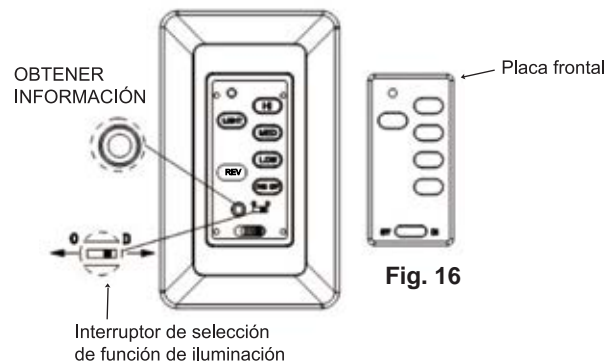


Fig. 16



Fig. 17

FUNCIÓN DE SENTIDO INVERSO

NOTA: Para cambiar el sentido de rotación de las aspas, el ventilador debe estar funcionando.

Clima cálido Avance (sentido anti horario) Un flujo de aire descendente crea un efecto de enfriamiento tal como se muestra en la Fig. 18. Esto permite configurar su acondicionador de aire en casos de clima más cálido sin afectar su comodidad.

Clima frío Sentido inverso (sentido horario) Un flujo de aire ascendente desplaza el aire caliente del área del cielorraso tal como se muestra en la Fig. 19. Esto permite configurar la calefacción en casos de clima más fresco sin afectar su comodidad.

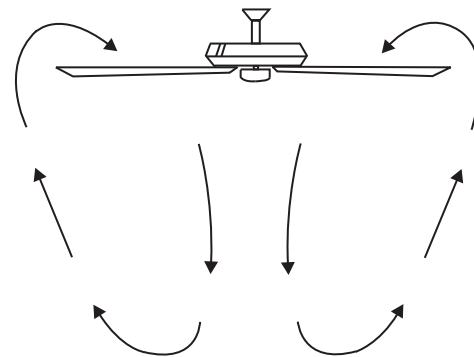


Fig. 18

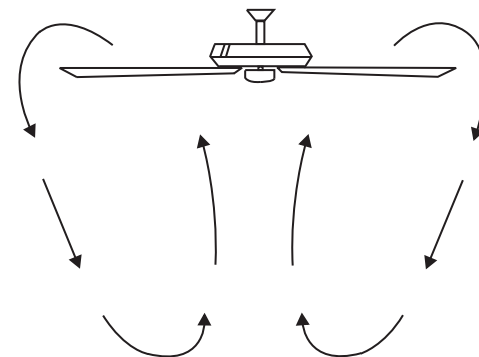


Fig. 19

LOCALIZACIÓN Y RESOLUCIÓN DE PROBLEMAS

Problema	Solución
El ventilador no arranca.	<ol style="list-style-type: none">1. Controle el funcionamiento de los fusibles de circuito o los disyuntores.2. Verifique todas las conexiones eléctricas para asegurar el debido contacto. <p>PRECAUCIÓN: Asegúrese de que la corriente principal esté DESCONECTADA al verificar cualquier conexión eléctrica</p>
El ventilador hace mucho ruido.	<ol style="list-style-type: none">1. Asegúrese de que todos los tornillos de la caja del motor estén ajustados.2. Asegúrese de que los tornillos que sujetan los soportes de las aspas del ventilador al motor estén ajustados.3. Asegúrese de que las conexiones empalmadas con conectores no se rocen entre sí o contra la pared interna de la caja de interruptores. <p>PRECAUCIÓN: Asegúrese de que la corriente principal esté desconectada.</p> <ol style="list-style-type: none">4. Se requiere un lapso de "adaptación" de 24 horas. La mayoría de los ruidos asociados con un nuevo ventilador desaparecen en este lapso.5. Si se utiliza un kit de iluminación opcional, asegúrese de que los tornillos que sujetan las piezas de vidrio estén ajustados. Asegúrese de que las bombillas de luz no estén tocando ningún otro componente.6. No conecte el ventilador a un control o controles de velocidad variable de pared. No son compatibles con los motores de los ventiladores de techo o los controles remotos.7. Asegúrese de que la cubierta superior esté cerca del techo. No debe tocar el techo.
El ventilador tambalea.	<ol style="list-style-type: none">1. Verifique que todos los tornillos de las aspas y de los brazos de las aspas estén ajustados.2. La mayoría de los problemas de tambaleo de los ventiladores son provocados por la desigualdad de los niveles de las aspas. Verifique este nivel seleccionando un punto en el techo por encima del extremo de una de las aspas. Mida esta distancia. Haga girar el ventilador hasta posicionar la siguiente aspa para su medición. Repita con cada aspa. La desviación de la distancia debe ser igual dentro de 1/8 de pulgada.3. Si el tambaleo de las aspas aún puede apreciarse, el intercambio de dos aspas adyacentes (una junto a la otra) permite redistribuir el peso y posiblemente resulte en un mejor funcionamiento.
Mal funcionamiento del control remoto.	<ol style="list-style-type: none">1. Los ventiladores de techo con sistemas de control remoto NO PUEDEN operarse junto con ningún otro sistema de control SALVO un interruptor básico de encendido/apagado de pared, si así se desea.

KICHLER®

www.kichler.com

KICHLER® LIGHTING

7711 EAST PLEASANT VALLEY ROAD P.O. BOX 318010

CLEVELAND, OHIO 44131-8010

SERVICIO DE ATENCIÓN AL CLIENTE 866.558.5706

8:30 AM A 5:00 PM HORA DEL ESTE, DE LUNES A VIERNES

KICHLER®

VENTILATEUR À LED **VOLOS™** 48 po

Le produit peut différer légèrement des illustrations



MANUEL D'INSTRUCTIONS

TABLE OF CONTENTS

CONSIGNES DE SÉCURITÉ	4
OUTILLAGE REQUIS.....	5
CONTENU DE L'EMBALLAGE.....	5
OPTIONS DE MONTAGE.....	6
SUSPENSION DU VENTILATEUR	7
FAIRE LES CONNECTIONS ELECTRIQUES.....	8
INSTALLATION DU CABLE DE SECURITE.....	9
FIXATION DE L'ASSEMBLAGE MOTEUR DU VENTILATEUR AU SUPPORT DE SUSPENSION	10
FINITION DE L'INSTALLATION DU VENTILATEUR ..	11

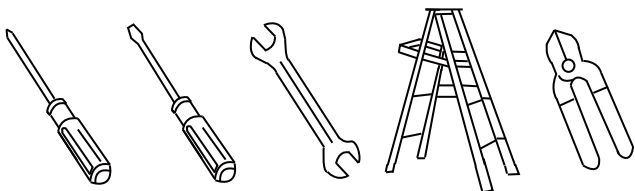
FIXATION DES PALES DU VENTILATEUR	12
FIXATION DE L'ASSEMBLAGE LED 17W	13
INSTALLATION DE L'ÉMETTEUR MURAL.....	14
INSTRUCTIONS D'UTILISATION	15
DÉPANNAGE	17

CONSIGNES DE SÉCURITÉ

1. Pour réduire le risque d'électrocution, assurez-vous que l'électricité a été coupée au niveau du disjoncteur ou de la boîte à fusibles avant de commencer.
 2. Le câblage doit être installé conformément au code national d'électricité américain (NEC) et aux codes locaux. Les travaux d'électricité doivent être exécutés par un électricien agréé qualifié.
 3. **AVERTISSEMENT:** Pour réduire les risques d'incendie, d'électrocution ou de blessure, installer sur une boîte à prises portant la mention « Acceptable pour un support de ventilateur de 15,8 kg (35 lb) ou moins et utiliser les vis de montage fournies avec la boîte à prises et/ou le support de la structure du bâtiment. La plupart des boîtes à prises utilisées actuellement pour supporter les luminaires ne peuvent pas supporter un ventilateur et doivent certainement être remplacées. En raison de la complexité de l'installation de ce ventilateur, il est fortement recommandé de confier les travaux à un électricien qualifié et agréé.
- AVERTISSEMENT: POUR RÉDUIRE LES RISQUES D'INCENDIE, CHOCS ÉLECTRIQUES OU BLESSURES, INSTALLER LE VENTILATEUR SUR LA BOÎTE À PRISES MARQUÉE « CAPABLE DE SUPPORTER UN VENTILATEUR ».**
4. La boîte à prises et la structure de support doivent être solidement fixées et capables de supporter de manière fiable un minimum de 22 kg (50 lb). Utiliser uniquement des boîtes à prises homologuées cUL et marquées «**POUR SUPPORTER UN VENTILATEUR**».
 5. Le ventilateur doit être installé à une distance de 2 m minimum du bord de fuite des pales par rapport au sol.
 6. Pour utiliser la fonction inverse sur ce ventilateur, appuyer sur le bouton de marche arrière pendant que le ventilateur est en marche.
 7. Éviter de placer des objets dans la trajectoire des pales.
 8. Pour éviter des blessures ou des dommages au ventilateur et autres objets, prendre toutes les précautions nécessaires lors de travaux effectués près du ventilateur ou lors du nettoyage du ventilateur.
 9. Ne pas utiliser d'eau ni de détergents pour nettoyer le ventilateur ou les pales du ventilateur. Utiliser un chiffon à poussière sec ou légèrement imbibé pour effectuer la majeure partie du nettoyage.
 10. Après avoir effectué les connexions électriques, les conducteurs épissés doivent être tournés vers le haut et soigneusement rentrés dans la boîte à prises. Les fils doivent être écartés avec le conducteur de la mis à la terre et le conducteur de mise à la terre de l'équipement se trouvant sur un côté de la boîte à prises.
 11. Les schémas électriques sont indiqués à titre de référence uniquement. Les kits d'éclairage qui ne sont pas emballés avec le ventilateur doivent être homologués cUL et marqués compatibles pour une utilisation avec le modèle de ventilateur à installer. Les interrupteurs doivent être pour une utilisation d'ordre général homologués cUL. Voir les instructions fournies avec les kits d'éclairage et les interrupteurs pour garantir un assemblage correct.
- AVERTISSEMENT : POUR REDUIRE LE RISQUE DE BLESSURES, NE PAS PLIER LES SUPPORTS DE PALES (APPELÉS ÉGALEMENT BRIDES) LORS DU MONTAGE OU APRÈS L'INSTALLATION NE PAS PLACER D'OBJETS DANS LA TRAJECTOIRE DES PALES.**

OUTILLAGE REQUIS

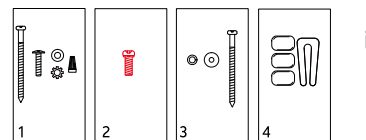
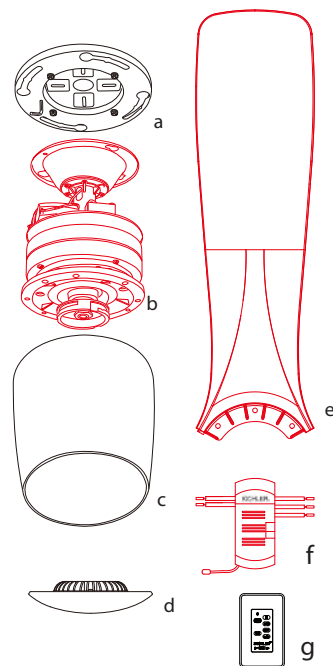
Tournevis Philips
Tournevis standard Pale
Clé de 11 mm
Escabeau
Coupe-fil



CONTENU DE L'EMBALLAGE

Déballiez votre ventilateur et vérifiez le contenu.
Vous devriez avoir à votre disposition
les éléments suivants :

- a. Support de cintre
- b. Assemblage du moteur du ventilateur
- c. Logement de ventilateur
- d. 17W LED Assemblage
- e. Lames de ventilateur(3)
- f. Récepteur avec 6 écrous à fil
- g. Transmetteur mural
- i. Contenu du sac de pièce
 - 1) Matériel de montage:
Vis à bois (2), rondelles plates (2), rondelles d'étoile (2), écrous de fil (3), vis (2)
 - 2) Piezas metálicas para acoplamiento de las aspas:
 - Vis de lame (9 + 2 de rechange)
 - 3) Piezas metálicas del cable de seguridad:
Tirafondos, arandela de seguridad, arandela plana
 - 4) Kit de balanceo



OPTIONS DE MONTAGE

En l'absence d'une boîte de montage homologuée cUL (UL pour les États-Unis), prendre connaissance des instructions suivantes. Débrancher l'alimentation en retirant les fusibles ou en déclenchant les disjoncteurs de la boîte à prises.

Fixer la boîte à prises directement sur la structure du bâtiment. Utiliser des attaches et des matériaux de construction appropriés. La boîte à prises et son support doivent être en mesure de soutenir le poids du ventilateur en mouvement (au moins 22 kg). Ne pas utiliser de boîtes à prises en plastique.

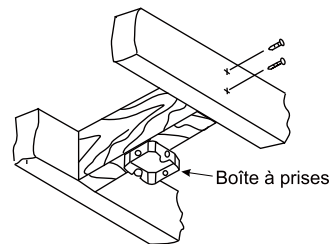


Fig. 1

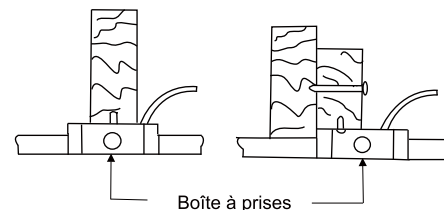


Fig. 2

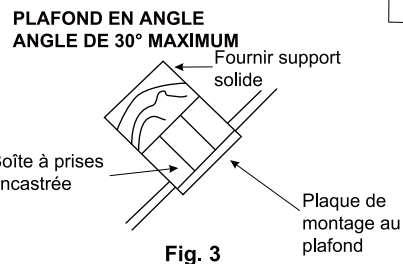


Fig. 3

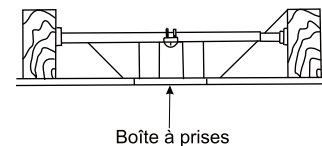


Fig. 4

REMARQUE : Si vous installez le ventilateur de plafond sur un plafond voûté, vous pouvez avoir besoin d'une tige de suspension plus longue pour maintenir un dégagement approprié entre la pointe de la pale et le plafond. Un intervalle de 30 cm minimum est suggéré pour garantir un fonctionnement optimal.

REMARQUE : Selon l'emplacement sélectionné pour l'installation, il peut s'avérer nécessaire d'acheter et d'installer un étrier à solive pour soutenir la boîte à prises. S'assurer que l'étrier à solive qui sera acheté, a été conçu pour une utilisation avec des ventilateurs de plafond (Fig. 4).

SUSPENDRE LE VENTILATEUR

N'oubliez pas de couper l'alimentation. Suivez les étapes ci-dessous pour accrocher votre ventilateur correctement:

Étape 1. Passer les fils d'alimentation de 120 volts à travers le trou central du support de suspension du plafond, comme illustré à la Fig. 5

Étape 2. Fixez le support de suspension à la boîte de sortie du plafond avec les vis et les rondelles fournies avec votre boîte de sortie.

Étape 3. Soulevez le ventilateur en position en accrochant la partie de la plaque de montage de l'assemblage du moteur du ventilateur sur le crochet J du support de suspension du plafond, ce qui lui permet de s'accrocher librement.

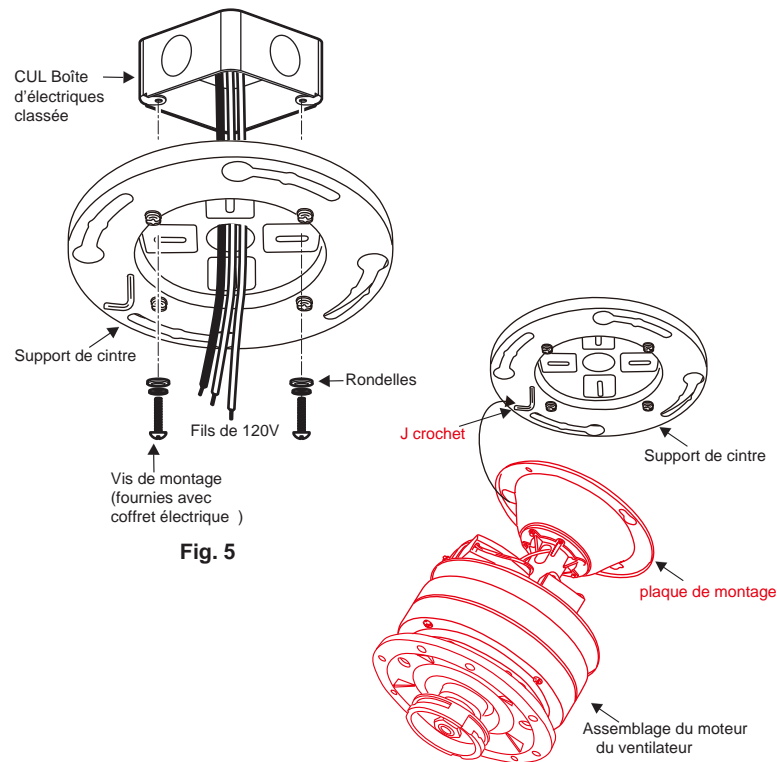


Fig. 5

Fig. 6

FAIRE LES CONNEXIONS ELECTRIQUES

AVERTISSEMENT: pour éviter un éventuel choc électrique, assurez-vous que l'électricité est éteinte à la boîte à fusibles principale avant le câblage.

Étape 1. (Fig. 8) Fils d'alimentation du moteur à la maison raccordements électriques:

Raccordez le fil noir du ventilateur au fil noir (chaud) du plafond. Raccordez le fil blanc du ventilateur au fil blanc (neutre) du plafond. Fixez les raccords de fil avec les écrous en plastique fournis.

Étape 2. (Figure 8) Si votre boîte de sortie est dotée d'un fil de terre (vert ou cuivre nu), raccordez-la aux fils de masse du ventilateur; Sinon, raccordez le fil de terre du support suspendu au fil de terre de la plaque de montage. Fixez le raccord de fil avec un écrou en plastique fourni. Après avoir branché les fils, écartez-les de sorte que les fils verts et blancs soient d'un côté de la boîte de sortie et que les fils noirs et bleus soient de l'autre côté. soigneusement les raccordements de fil dans la boîte de sortie.

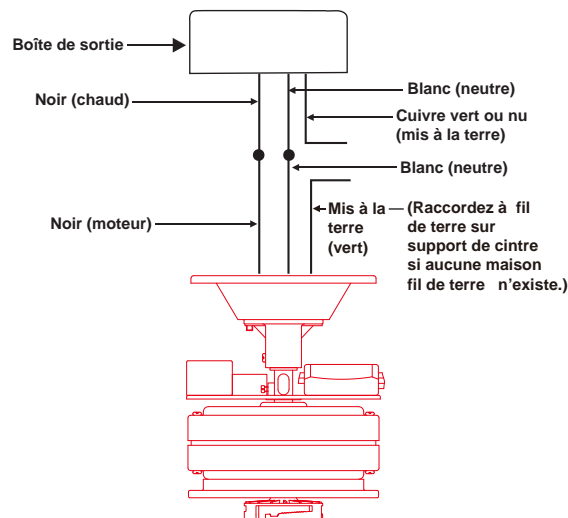


Fig. 8

Remarque: le ventilateur doit être installé à une distance maximale de 30 pieds de l'émetteur mural pour une transmission optimale du signal entre l'émetteur et l'unité réceptrice du ventilateur.

INSTALLATION DU CÂBLE DE SÉCURITÉ

Un câble de sécurité supplémentaire est fourni pour empêcher le ventilateur de tomber. Fixez le câble de sécurité à la solive de plafond avec la vis et la rondelle, comme illustré à la figure 9.

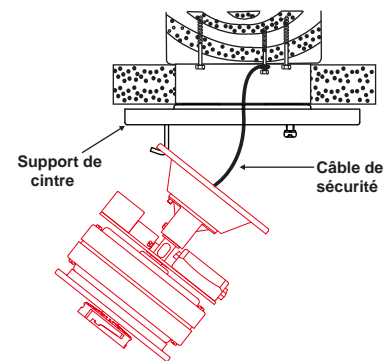


Fig. 9

FIXATION DU MOTEUR DU VENTILATEUR MONTAGE AU SUPPORT DE SUSPENSION

Étape 1. Retirez l'une des quatre vis sur le support de suspension et desserrez, mais ne retirez pas, les trois autres vis.

Étape 2. Retirez l'assemblage moteur du crochet J.

Étape 3. Soulevez et placez les trous de clé sur la plaque de montage sur les trois vis précédemment desserrées sur le support de cintre et tournez la plaque de montage jusqu'à ce qu'elle se verrouille en place et ne tourne plus.

Étape 4. Fixez en serrant les trois vis précédemment desserrées et la vis précédemment enlevée.

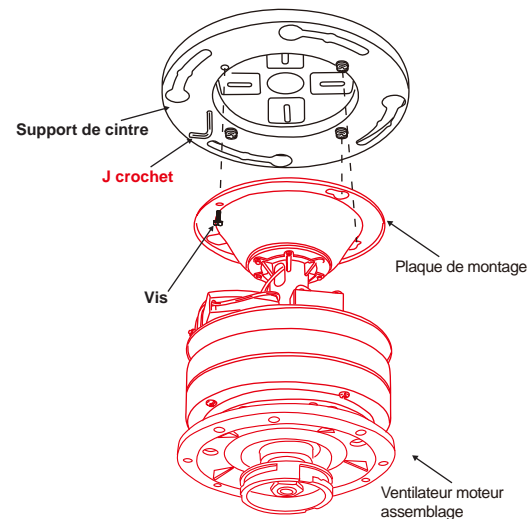


Fig. 10

FINITION DE L'INSTALLATION DU VENTILATEUR

Étape 1. Alignez les quatre grands têtes pré-verrouillés sur le carter du ventilateur aux trous de clé du support de cintre.

Étape 2. Tournez le carter du ventilateur sur le côté droit et tournez les têtes à l'extrémité des trous rainurés jusqu'à ce qu'ils se verrouillent en place et ne tournent plus.

AVERTISSEMENT: Assurez-vous que vous terminez cette étape correctement et suivez toutes les étapes. Le fait de ne pas suivre correctement cette étape peut entraîner la chute du ventilateur.

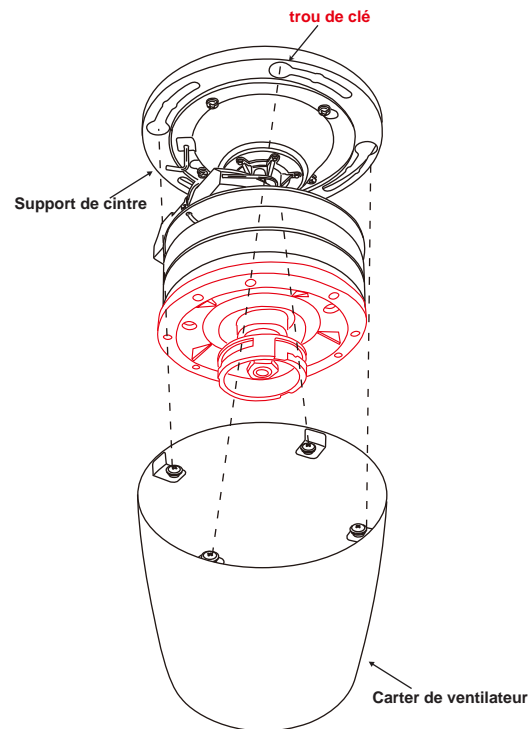


Fig. 11

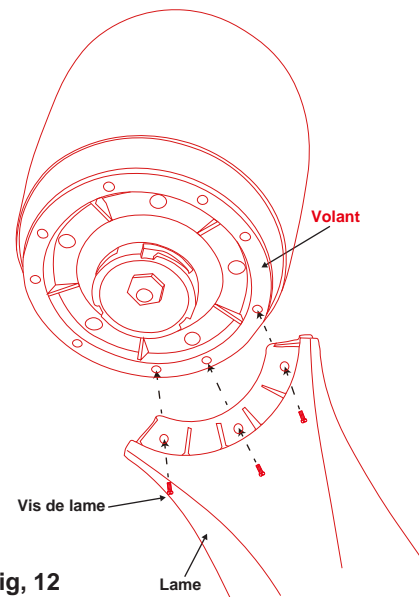
FIXATION DES PALES DU VENTILATEUR

Étape 1. Fixez les pales du ventilateur au volant à l'aide des vis de la lame et serrez-les solidement.

Étape 2. Répétez cette étape avec les autres lames.

REMARQUE: lors de l'installation des lames, assurez-vous que les côtés «THIS SIDE UP» font face au plafond.

ATTENTION: Assurez-vous que toutes les vis sont solidement serrées.



Fig, 12

FIXATION DE L'ASSEMBLAGE LED 17W

REMARQUE: avant de commencer l'installation, débranchez l'alimentation en éteignant le disjoncteur ou en retirant le fusible dans la boîte à fusibles. La mise hors tension à l'aide de l'interrupteur du ventilateur n'est pas suffisante pour éviter les chocs électriques.

Étape 1. Tout en maintenant l'assemblage LED 17W sous votre ventilateur, enclenchez fermement les bouchons de connexion du fil.

Étape 2. Fixez l'assemblage LED 17W à la boîte de commutation en tournant fermement.

REMARQUE: il s'agit d'un ensemble de kit de lumière LED intégré et ne peut pas être démonté pour éviter les chocs électroniques.

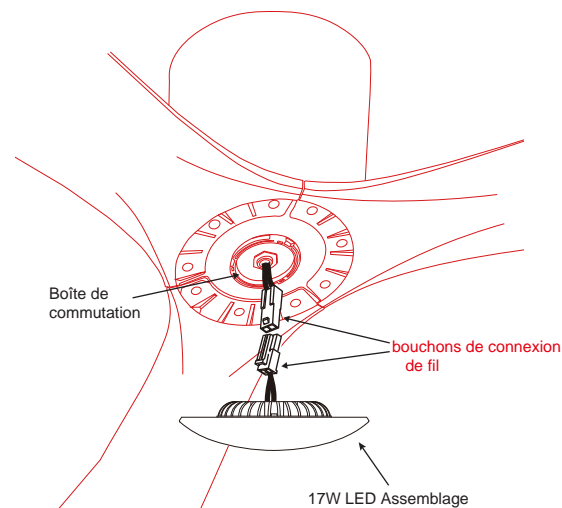


Fig. 13

INSTALLATION DE L'ÉMETTEUR MURAL

AVERTISSEMENT: RELIER 'EN SÉRIE' UNIQUEMENT. NE PAS CONNECTER DE FIL D'ALIMENTATION NEUTRE DU CIRCUIT ÉLECTRIQUE À L'INTERRUPTEUR MURAL DE L'ÉMETTEUR MURAL SOUS RISQUE D'ENDOMMAGER L'INTERRUPTEUR MURAL ET DÉCLENCHER UN INCENDIE.

Étape 1. Retirez la plaque murale présente et l'ancien interrupteur de la boîte à prises murale (Fig.14).

Étape 2. Établissez les connexions électriques tel qu'indiqué sur la Fig. 15. Si votre boîte à prises est munie d'un fil de terre (vert ou cuivre nu), connectez le fil de terre de l'émetteur directement à l'une des vis de la boîte à prises. Sécurisez toutes les connexions de fils avec les connecteurs en plastique (fournis).

Étape 3. Introduisez prudemment les raccordements des fils dans la boîte à prises murale. Utilisez les vis fournies pour fixer l'émetteur mural et la plaque murale à la boîte à prises murale.

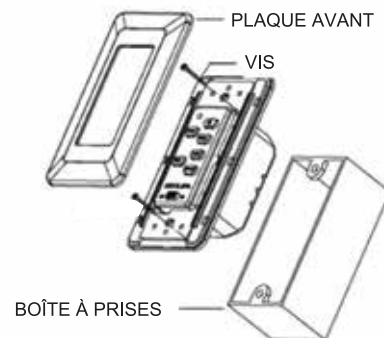


Fig. 14

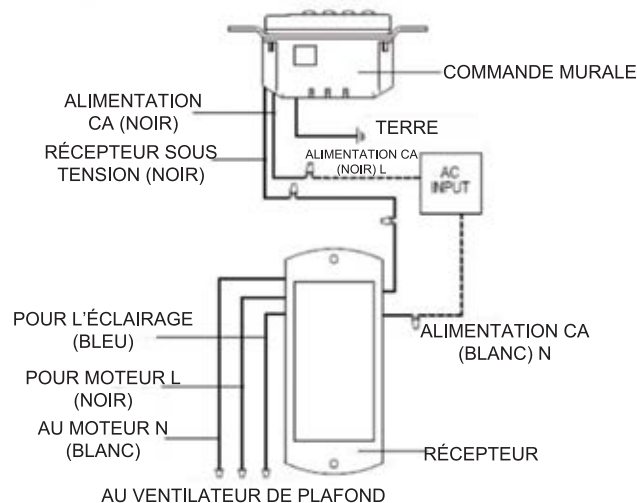



Fig. 15

INSTRUCTIONS D'UTILISATION

ACTIVATION DU PROCESSUS D'APPRENTISSAGE (Fig.16)

REMARQUE: Le système de contrôle de ce ventilateur est équipé d'une fonction de fréquence d'apprentissage dotée de combinaisons de 56K codes afin d'empêcher toute interférence provenant d'autres télécommandes. La fréquence du récepteur et de l'émetteur mural a été préréglée par défaut. Aucun changement de fréquence n'est nécessaire. Si le ventilateur ne fonctionne pas ou si vous souhaitez installer un autre ventilateur dans le même domicile ou la même zone avec un code de fréquence distinct, veuillez consulter la section "Processus d'apprentissage" ci-dessous dans ce manuel d'instructions pour coder en parallèle le récepteur et l'émetteur mural.

1. Utilisez un petit tournevis plat et soulevez délicatement la plaque avant du haut de l'émetteur mural (Fig.16).

2. Une fois l'installation terminée, le courant CA est mis en marche et l'interrupteur  est en position de marche (ON) dans les 30 secondes, appuyez et maintenez le bouton LEARN enfoncé pendant 3 secondes. Le ventilateur se met en marche à vitesse moyenne et l'éclairage (si installé) s'allume. Le paramètre SMART SYNC est donc actif et correct (Fig.16).

3. Si vous ne pouvez pas terminer le réglage dans les 30 secondes, l'alimentation principale doit être éteinte et remise en marche. Le système est automatiquement réinitialisé. Répétez l'étape 2 jusqu'à ce que la fonction LEARN soit activée tel qu'indiqué.

SÉLECTEUR DE LA FONCTION D'ÉCLAIRAGE (Fig.16)

1. D signifie "Atténuateur"

0 signifie "seulement activation/désactivation, pas d'atténuation"

L'éclairage de ce ventilateur peut être plus faible et a été réglé sur "D" par défaut. Pour que l'éclairage soit uniquement allumée/éteinte, permutez le bouton sur "O".

FONCTIONNEMENT DE L'ÉMETTEUR MURAL (Fig.17)

ON/OFF (MARCHE/ARRÊT) : Activez l'émetteur mural ou verrouillez l'émetteur mural.

FAN OFF ARRÊT VENTILATEUR) : Éteint le ventilateur au plafond.

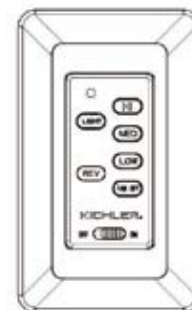
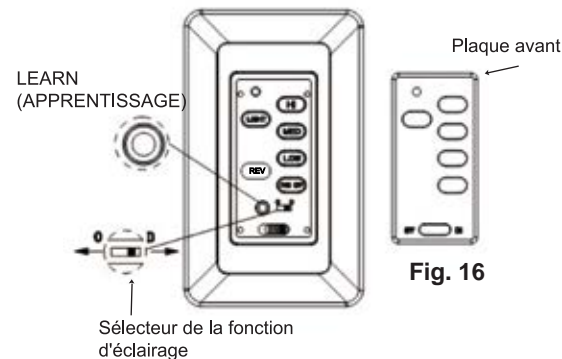
HI (ÉLEVÉ) : Met le ventilateur en marche à grande vitesse.

MED (MOYENNE) : Met le ventilateur en marche à une vitesse moyenne.

LOW (FAIBLE) : Met le ventilateur en marche à une vitesse faible.

LIGHT (ÉCLAIRAGE) : Allume et éteint l'éclairage. Appuyez et maintenez enfoncé le bouton pour régler la luminosité au niveau souhaité.

REV (ARRIÈRE) : Appuyez sur ce bouton pour que le ventilateur au plafond fonctionne vers l'avant ou l'arrière.



FONCTION EN MARCHÉ ARRIÈRE

REMARQUE: Pour changer le sens de rotation des pales, le ventilateur doit être en marche.

Temps chaud - Vers l'avant (sens inverse des aiguilles d'une montre)
Un flux d'air confortable vers le bas.

Temps frais - En marche arrière (dans le sens des aiguilles d'une montre)
Un flux d'air chaud vers le haut.

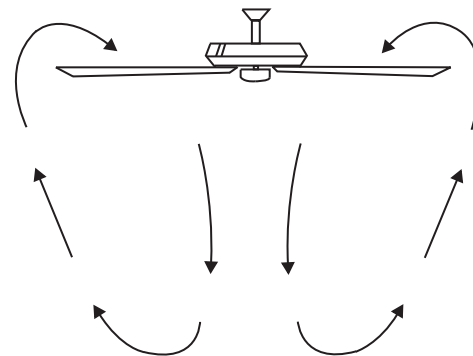


Fig. 18

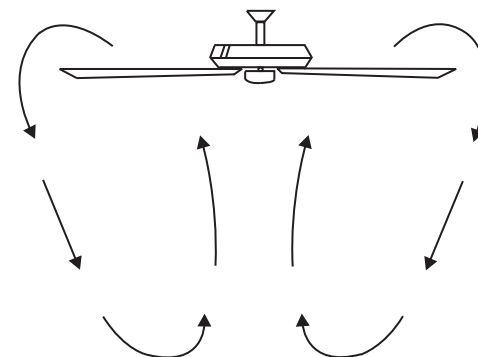


Fig. 19

DÉPANNAGE

Problème

Solution

Impossible de mettre le ventilateur en marche.

1. Vérifiez les fusibles ou disjoncteurs de circuit.
2. Vérifiez tous les raccordements électriques pour garantir un bon contact.

MISE EN GARDE : Assurez-vous que l'alimentation principale est COUPÉE lors de la vérification des raccordements électriques.

Le ventilateur est bruyant.

1. Assurez-vous que toutes les vis du boîtier du moteur sont bien ajustées.
2. Assurez-vous que les vis qui fixent les supports des pales du ventilateur au moteur sont bien serrées.
3. Assurez-vous que les connexions des raccords filaires ne frottent pas les uns contre les autres ou contre la paroi intérieure du boîtier d'interrupteur.

MISE EN GARDE : Assurez-vous que l'alimentation est coupée.

4. La période de rodage est de de 24 heures. La majorité des bruits associés à un nouveau ventilateur disparaissent pendant la période de rodage.
5. Si vous utilisez un kit d'éclairage en option, assurez-vous que les vis de fixation de la verrerie sont serrées. Assurez-vous que les ampoules ne sont pas en contact avec aucun autre composant.
6. Ne pas connecter le ventilateur à un ou plusieurs contrôleurs de vitesse variables muraux. Ils ne sont pas compatibles avec les moteurs de ventilateur de plafond ou les télécommandes.
7. Assurez-vous que la monture supérieure est à une courte distance du plafond. Il ne doit pas toucher le plafond.

Le ventilateur vacille.

1. Vérifiez que toutes les vis des pales et des bras de pales sont sécurisées.
2. La plupart des problèmes de vacillement des ventilateurs provient des niveaux inégaux des pales. Vérifiez ce niveau en sélectionnant un point au plafond au-dessus de l'extrémité d'une des pales. Mesurez cette distance. Faites tourner le ventilateur jusqu'à ce que la prochaine pale soit positionnée pour la mesure. Répétez pour chaque pale. L'écart de distance doit se trouver dans les 1/8 po.
3. Si le vacillement des pales est toujours perceptible, échangez deux pales adjacentes (côte à côte) pour redistribuer le poids et éventuellement permettre un fonctionnement plus équilibré.

Dysfonctionnement de la télécommande.

1. Les ventilateurs de plafond avec des systèmes de contrôle à distance **NE PEUVENT PAS** fonctionner conjointement avec tout autre système de contrôle, **SAUF** un interrupteur mural de marche/arrêt, si souhaité.

KICHLER®

www.kichler.com

KICHLER® LIGHTING

7711 EAST PLEASANT VALLEY ROAD P.O. BOX 318010

CLEVELAND, OHIO 44131-8010 U.S.A.

SERVICE À LA CLIENTÈLE 866.558.5706

De 08h30 à 17h (heure normale de l'Est), du lundi au vendredi