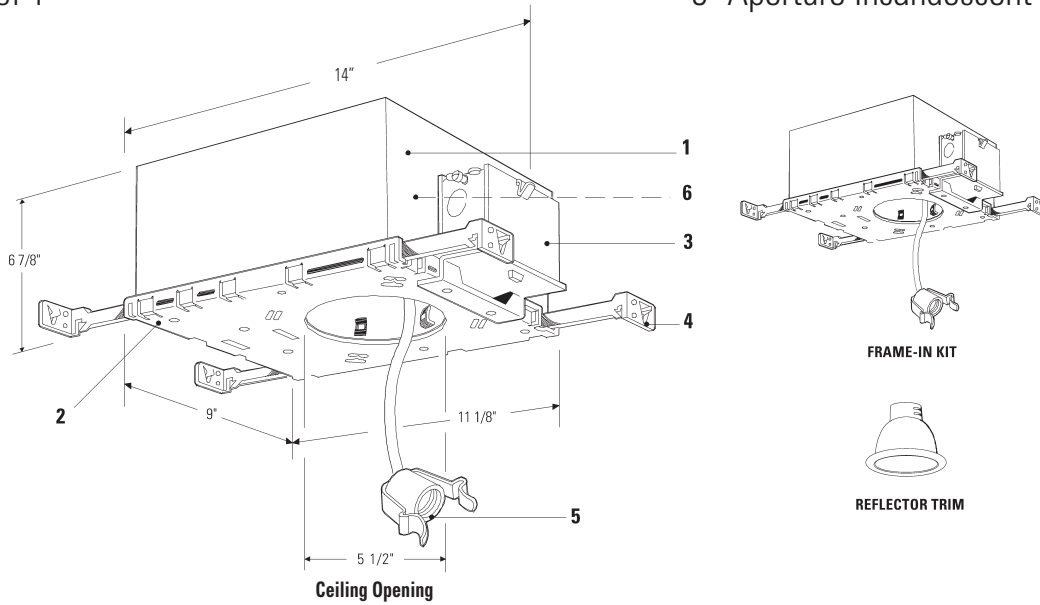


Lytecaster Recessed Downlighting **1000P1**



Complete Fixture consists of Reflector Trim & Frame-In Kit. Select each separately.

Frame-In Kit	Reflector Trims — See Individual Reflector Trim Specification Sheets									
	Open Downlight								Enclosed Diffusers	Wall Washer
1000P1	Reflector	Cone	Satin Cone	Baffles	Basic White	Pinhole	Adjustable	Eyeball		
	1045 1046 1046CD	1012 1012NM 1013 1013NM 1013CD 1013BKNM 1013CDNM 1013BK 1013WH	1008 1008NM 1010 1010NM	1005 1005NM 1005BNM 1005WH 1076 1076WH	1071	1011	1029 1029NM 1029BK 1029BKNM 1029CD 1029CDNM 1029CL 1029CLNM 1029GD 1029GDNM 1029BNM	1082	1021 1024 1078	1035 1035WH 1085

PAR30 lamps do not require socket extender. Long neck PAR30 lamps are not compatible with the 1029 series trims.

Features

- Housing:** .026" galvanized steel. Access door for inspection of junction box.
- Mounting Frame:** .036" (#20 ga.) galvanized steel. Accommodates all ceilings up to 1" thick. Four slots are positioned 90° apart to simplify alignment. Push-in/twist-out rotoclips hold reflector flush to ceiling.
- Junction Box:** 4" X 3 1/2" X 2" (22 cu. in.) .063" (#14 ga.) galvanized steel. U.L. listed for maximum of 8 No. 12 ga. 75° C through branch circuit conductors (60° C end of run). Integral cable clamps permit attachment of non-metallic Romex® or armored cable without need of additional connectors.
- Mounting Bars:** .059" (#16 ga.) galvanized steel. 13" long bars extend to 27", rotatable and lockable, with integral T-bar tabs. Attach to wood joist or T-bar ceilings without the need of accessories.
- Socket:** Porcelain medium base; nickel plated screw shell. Pre-wired with #18 ga. SF1 leads to junction box.
- Thermal Protector:** Meets NEC and UL requirements. Insulation must be kept 3" away from fixture sides and wiring compartments and must not be placed above fixture in a manner which will entrap heat. Located inside housing.

Options & Accessories

- Mounting Bars:** 1964 - 20" set of (2)
- Plaster Ceiling Ring:** 1960 - 7/8" depth for wet plaster ceilings.
- Extra-Thick Ceiling Mounting Ring:** 1967B - up to 2" thick ceilings.

Labels

UL (Suitable for Damp Locations), I.B.E.W.
Romex® is a registered Trademark of General Cable Industries Inc.

Job Information	Type:
Job Name:	
Cat. No.:	
Lamp(s):	
Notes:	