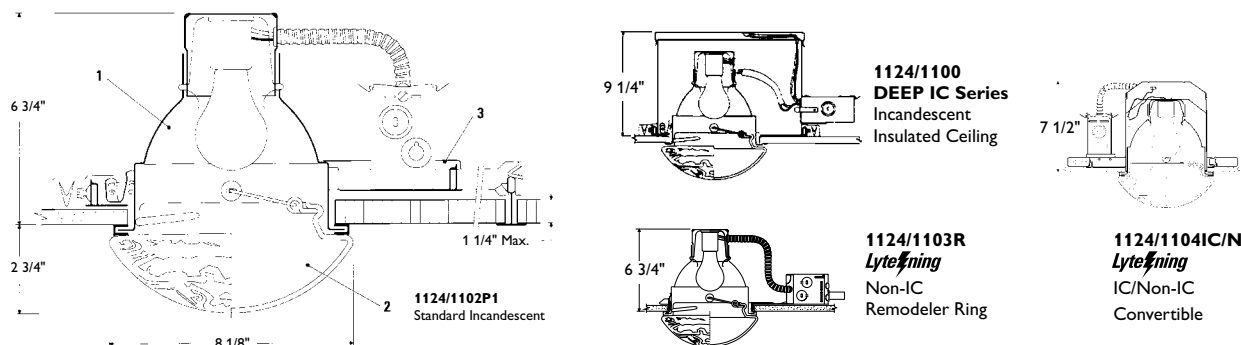


## Lytecaster 6 3/4", Cratere Dome Diffuser, Reflector Trim

Project:	Catalog No:	Mfg:
Location:	Fixture Type:	Qty:
Notes:		Lamps:



**Ordering guide** Complete Fixture consists of Reflector Trim & Frame-In Kit. Select each separately.

Reflector Trim	Frame-In Kit — See Individual Frame-In Kit Specification Sheets							
	LED				Fluorescent			
1124 Doubled Etched	Frame-In Kit	Ceiling Type	Lamping	Height	Frame-In Kit	Installation Type	Lamping	Height
	<b>1101LED</b>	Non-IC	LED	6 3/4"	<b>1101F18U Series</b>	UniFrame Non-IC	(1) Quad/Triple 18W (GX24q-2)	5 7/8"
	<b>1100LEDREM</b>	Non-IC Remodeler	LED	6 3/4"	<b>1101F2642U Series</b>	UniFrame Non-IC	(1) Quad/Triple 26W (GX24q-3) (1) Triple 32W (GX24q-3) (1) Triple 42W (GX24q-3)	5 7/8"
	<b>L56LED</b>	Non-IC Retrofit	LED	6 3/4"				
	<b>Incandescent</b>				<b>1104F13 Series</b>	IC	(1) Quad/Triple 13W (GX24q-1)	7 1/2"
	<b>1102P1</b>	Non-IC	100W A19	6 3/4"	<b>1104F18 Series</b>	IC	(1) Quad/Triple 18W (GX24q-2)	7 1/2"
	<b>1103R</b>	Non-IC Remodeler		6 3/4"	<b>1104F26 Series</b>	IC	(1) Quad/Triple 26W (GX24q-3)	7 1/2"
	<b>1100IC</b>	IC	60W A19	7 5/16"	<b>1100FTU Series</b>	Non-IC	(1) Triple 26/32W (GX24q-3)	6 3/4"
	<b>1100AICM</b>	AirSeal IC		7 5/16"	<b>1100AICMFT</b>	AirSeal IC	(1) Triple 26W (GX24q-3)	6 7/8"
	<b>1100DICM</b>	Deep IC		9 1/4"	<b>1101F18ICU/N</b>	Performance IC	(1) Quad/Triple 18W (GX24q-2)	7 1/4"
	<b>1100DAICM</b>	Deep AirSeal IC		9 1/4"	<b>1101F2642ICU</b>	Performance IC	(1) Quad/Triple 26W (GX24q-3) (1) Triple 32W (GX24q-3)	7 1/4"
	<b>1104ICX/N</b>	AirSeal IC		7 1/4"	<b>101F2642IU</b>			
	<b>1104IC/N</b>	AirSeal IC	40W A19	7 1/4"	<b>1101FDICMX1/N</b>	Performance IC Advance Mark10 Dimming 120v	(1) Quad/Triple 26W (GX24q-3) (1) Triple 32W (GX24q-3)	7 1/4"
	<b>1104ICR</b>	IC Remodeler		7 1/2"				
	<b>1104IC/N</b>	Non-IC	75W A19	7 1/2"	<b>1101FDICMX2/N</b>	Performance IC Advance Mark10 Dimming 277v	(1) Quad/Triple 26W (GX24q-3) (1) Triple 32W (GX24q-3)	7 1/4"
	<b>1104ICR</b>	Non-IC Remodeler		7 1/2"				
	<b>1101LED</b>	Non-IC	LED	6 3/4"				
	<b>1100LEDREM</b>	Non-IC Remodeler	LED	6 3/4"				
	<b>1156LED</b>	Non-IC Retrofit	LED	6 3/4"				

### Features

- Reflector:** Hydroformed aluminum, .040 minimum thickness; Anobrite (anodic-processed) semi-specular finish for permanent reflectivity.
- Diffuser:** Textured double etched glass; twist tight to reflector trim. Neoprene (captured on flange of reflector) seals unit under pressure of twist lock. Concealed wire-hinge supports glass enclosure for quick servicing.
- Frame-In Kit:** (1102P1 standard frame shown). Other frames listed above and shown on the right. See Frame-In Kit specification sheets for more details. Meets NEC® requirements for Spas and Hot Tubs. NEC® is a registered trademark of the National Fire Protection Association.

### Options & Accessories

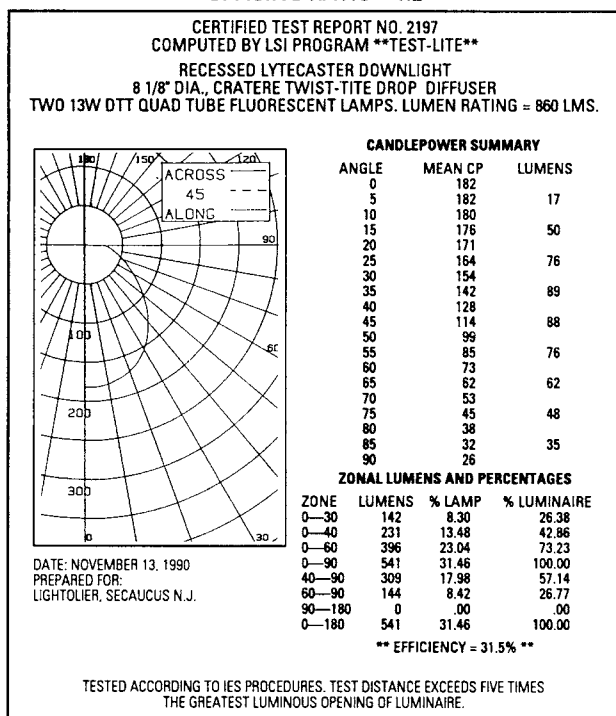
Retaining Clips: 1955 - For installing in existing ceiling.

### Labels

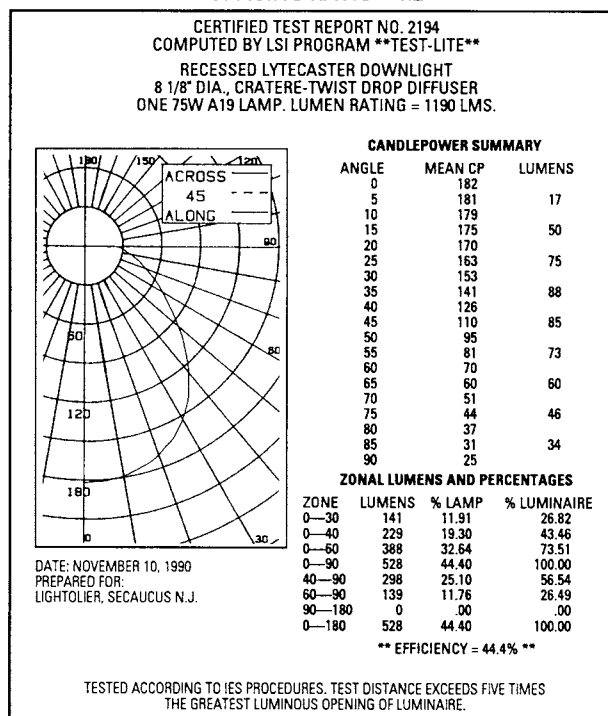
UL (Suitable for Wet Locations - Covered Ceiling Only), I.B.E.W.

Lytecaster 6 3/4", Cratere Dome Diffuser, Reflector Trim

SPACING RATIO = 1.2



SPACING RATIO = 1.2



COEFFICIENTS OF UTILIZATION

% EFFECTIVE CEILING CAVITY REFLECTANCE

ROOM CAVITY RATIO	% EFFECTIVE CEILING CAVITY REFLECTANCE																							
	80				70				50				30				10				0			
	% WALL REFLECTANCE																							
	50	30	10	50	30	10	50	30	10	50	30	10	50	30	10	50	30	10	50	30	10	50	30	10
1	.32	.31	.30	.32	.30	.29	.30	.29	.28	.29	.28	.27	.28	.27	.26	.28	.27	.26	.26	.26	.26	.26	.26	.26
2	.28	.26	.24	.28	.26	.24	.27	.25	.23	.26	.24	.23	.25	.23	.22	.25	.23	.22	.22	.22	.22	.22	.22	.22
3	.25	.22	.20	.24	.22	.20	.24	.22	.20	.23	.21	.19	.22	.20	.19	.22	.20	.19	.18	.18	.18	.18	.18	.18
4	.22	.20	.18	.22	.20	.17	.21	.19	.17	.20	.19	.17	.20	.18	.17	.20	.18	.17	.16	.16	.16	.16	.16	.16
5	.20	.17	.15	.20	.17	.15	.19	.17	.15	.18	.16	.15	.18	.16	.15	.18	.16	.15	.14	.14	.14	.14	.14	.14
6	.18	.15	.13	.18	.15	.13	.17	.15	.13	.17	.15	.13	.16	.14	.13	.16	.14	.13	.12	.12	.12	.12	.12	.12
7	.16	.13	.12	.16	.13	.11	.15	.13	.11	.15	.13	.11	.15	.13	.11	.15	.13	.11	.11	.11	.11	.11	.11	.11
8	.15	.12	.10	.14	.12	.10	.14	.12	.10	.14	.12	.10	.13	.11	.10	.13	.11	.10	.09	.09	.09	.09	.09	.09
9	.13	.11	.09	.13	.11	.09	.13	.11	.09	.13	.10	.09	.12	.10	.09	.12	.10	.09	.08	.08	.08	.08	.08	.08
10	.12	.10	.08	.12	.10	.08	.12	.10	.08	.11	.09	.08	.11	.09	.08	.11	.09	.08	.07	.07	.07	.07	.07	.07

20% FLOOR CAVITY REFLECTANCE

Conversion Factor: 1 Lt. 13W Quad Tube, C.U. x 1.3.

COEFFICIENTS OF UTILIZATION

% EFFECTIVE CEILING CAVITY REFLECTANCE

ROOM CAVITY RATIO	% EFFECTIVE CEILING CAVITY REFLECTANCE																							
	80				70				50				30				10				0			
	% WALL REFLECTANCE																							
	50	30	10	50	30	10	50	30	10	50	30	10	50	30	10	50	30	10	50	30	10	50	30	10
1	.46	.44	.42	.45	.43	.41	.43	.41	.40	.41	.40	.39	.39	.38	.37	.36	.36	.35	.34	.34	.34	.34	.34	.34
2	.40	.37	.34	.39	.36	.34	.38	.35	.33	.36	.34	.32	.35	.33	.32	.35	.33	.32	.31	.31	.31	.31	.31	.31
3	.35	.32	.29	.35	.31	.29	.33	.30	.28	.32	.30	.28	.31	.29	.27	.31	.29	.27	.26	.26	.26	.26	.26	.26
4	.32	.28	.25	.31	.28	.25	.30	.27	.24	.29	.26	.24	.28	.26	.24	.28	.26	.24	.23	.23	.23	.23	.23	.23
5	.28	.25	.22	.28	.24	.21	.27	.24	.21	.26	.23	.21	.25	.23	.21	.25	.23	.21	.20	.20	.20	.20	.20	.20
6	.26	.22	.19	.25	.21	.19	.24	.21	.19	.24	.21	.18	.23	.20	.18	.23	.20	.18	.17	.17	.17	.17	.17	.17
7	.23	.19	.17	.23	.19	.16	.22	.19	.16	.21	.18	.16	.21	.18	.16	.21	.18	.16	.15	.15	.15	.15	.15	.15
8	.21	.17	.15	.21	.17	.15	.20	.17	.15	.19	.16	.14	.19	.16	.14	.19	.16	.14	.13	.13	.13	.13	.13	.13
9	.19	.15	.13	.19	.15	.13	.18	.15	.13	.18	.15	.13	.17	.15	.13	.17	.15	.13	.12	.12	.12	.12	.12	.12
10	.17	.14	.12	.17	.14	.11	.17	.14	.11	.16	.13	.11	.16	.13	.11	.16	.13	.11	.10	.10	.10	.10	.10	.10

20% FLOOR CAVITY REFLECTANCE

To convert lighting data for a lower wattage incandescent lamp of the same type, multiply the footcandle (or candlepower) values by the ratio of the lumens of the two lamps. The coefficients of utilization remain the same.



©2015 Koninklijke Philips N.V. All rights reserved.  
 Philips reserves the right to make changes in specifications and/or to discontinue any product at any time without notice or obligation and will not be liable for any consequences resulting from the use of this publication.  
[philips.com/luminaires](http://philips.com/luminaires)

Philips Lighting,  
 North America Corporation  
 200 Franklin Square Drive,  
 Somerset, NJ 08873  
 Tel. 855-486-2216

Philips Lighting Canada Ltd.  
 281 Hillmount Rd,  
 Markham, ON,  
 Canada L6C 2S3  
 Tel. 800-668-9008