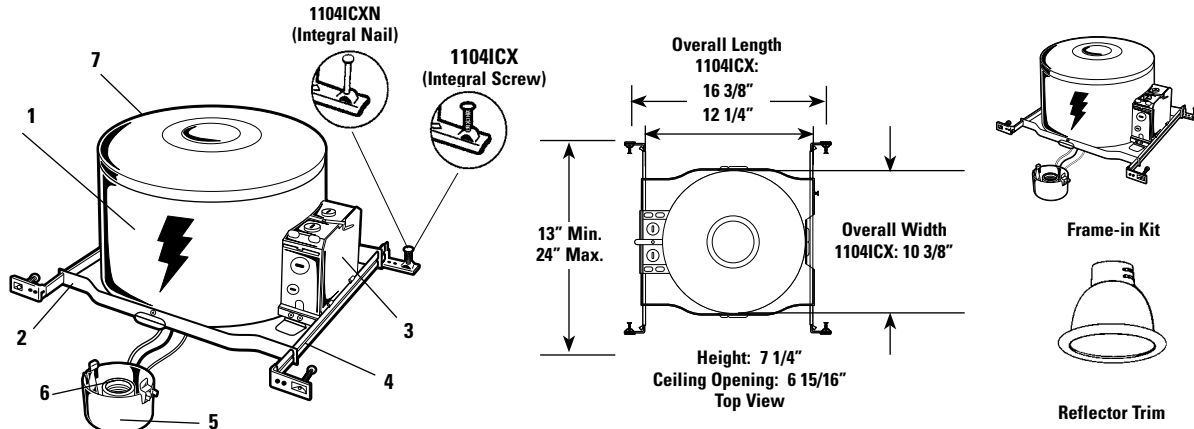


Lytecaster® Recessed Downlighting **1104ICX**

Page 1 of 1 6 3/4" Aperture **LyteLighting®** High Wattage Incandescent AirSeal® Insulated Ceiling Frame-In Kit



6 3/4" Aperture: Complete Fixture consists of Reflector Trim & Frame-In Kit. Select each separately.

Frame-In Kit	Reflector Trims — See Individual Reflector Trim Specification Sheets												
	Open Downlight					Adjustable			Enclosed Diffuser	Wall Washer			
Reflector	Satin Cone	Sloped Ceiling	Baffles	Basic White	Cross Blade	Recessed Line Volt.	Recessed Low Volt.						
1104ICX 1104ICXQ* 1104ICXN 1104ICXNQ*	1143	1108†	1131	1105†	1170M1	1132	1129†	1155	1121	1185			
	1144	1110†	1131WH	1105WH	1171		1129WH	1155WH			1124	1186	
	1144CD		1131GD	1176	1116		1129CL†	1161			1126		1186WH
	Cone:		1131CL	1176WH			1129CD†	1161WH			1128		
	1112†		1131BK	1179M1			1129GD†	1163			1134		
	1113†		1133	1179WH			1129BK†	1164			1178SH		
	1113BK†		1133WH	1117							1190		
1113CD†		1133GD	1117WH										
1113WH		1133CL	1105BNM					Open Wet					
		1133BK						1184WH					
		1154 Series						1184CD					

†Add NM to catalog number for Natural Metal flange and finish.

*Supplied with integral push-in wire connectors

Features

- Housing:** .032" (#20 ga.) aluminum. UL listed for direct contact with thermal insulation. AirSeal® housing minimizes air leak-age to less than 2 CFM at 1.57 PSF (or 75pa), which complies with Model Energy Code (Section 602.3.3) and Washington State Energy Code (Section 502.4) and reduces heat loss and condensation in ceiling. Access door for inspection of junction box.
- Mounting Frame:** .032 (22ga.) galvanized steel. Accommodates ceilings up to 1" thick. 3/8" deep integral lip. Locks into position along length of mounting bars with locking screws and bendable slot. Four slots are positioned 90° apart to simplify alignment. Push-in/twist-out roto-clips hold reflector flush to ceiling.
- Junction Box:** 2" X 4" X 3 1/2" (22 cu. in.) .032" (#22 ga.) galvanized steel. UL listed for maximum of 6 (#12 ga.) 90°C through branch circuit conductors. Cable clamp permit attachment of non-metallic (#12 or #14 ga.) Romex® cable without tools or additional connectors.
- Mounting Bars:** .059" (#16 ga.) galvanized steel. Bars pivot for easy attachment and wire-in below ceiling line. Bars extend to accommodate 16" to 24" O.C. joist spacing. Bars can accommodate 12" O.C. joist spacing after a slight field modification (see Instruction Sheet). 1104ICX features integral self tapping phillips screws for secure attachment to wood or metal construction. 1104ICXN features integral nails for secure attachment to wood. Both attach to T-bar ceilings without the need of accessories.
- Socket Housing:** Impact extruded aluminum or galvanized steel.
- Socket:** Porcelain medium base; nickel plated screw shell. Pre-wired with #18 ga. SF1 (300 Volt 200° C) leads to junction box.
- Thermal Protector:** Meets NEC and UL requirements. DIMM. Located inside housing.

Options & Accessories

Extra-Thick Ceiling Mounting Ring: 1967A - up to 2" thick ceilings

Labels

UL (Type I.C., Suitable for Damp Location), I.B.E.W.

Complies with Air Leakage Requirements stated in the Model Energy Code, California Title 24 and the Washington State Energy Code.

AirSeal® is a registered trademark of Lightolier.

Romex® is a registered trademark of General Cable Industries Inc.-

Job Information	Type:
Job Name:	
Cat. No.:	
Lamp(s):	
Notes:	

Lightolier a Genlyte company www.lightolier.com
 631 Airport Road, Fall River, MA 02720 • (508) 679-8131 • Fax (508) 674-4710
 We reserve the right to change details of design, materials and finish.
 © 2011 Genlyte Group LLC • K0314

LIGHTOLIER®