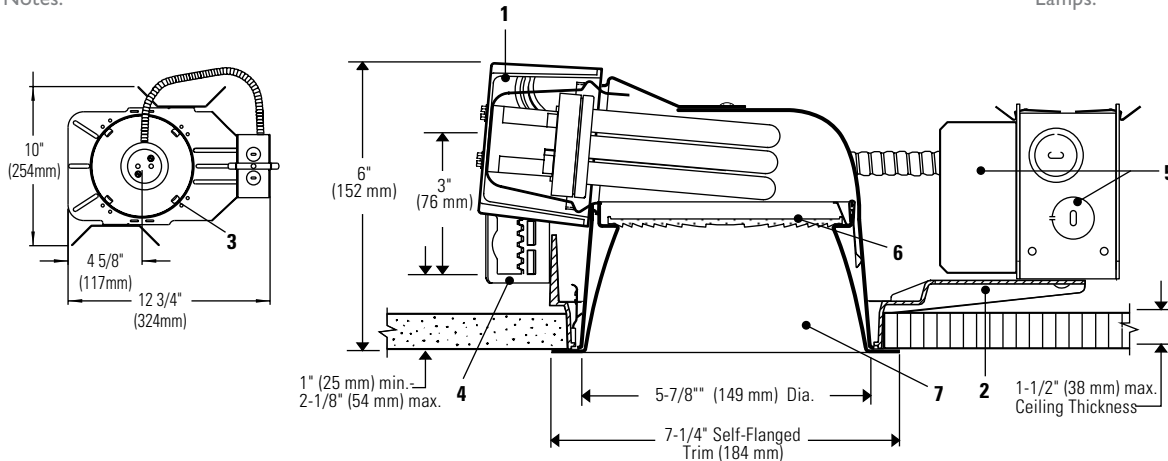


Calculite CFL 6", Lensed Downlight, Triple Tube Horizontal Lamp

Project:	Catalog No:	Mfg:
Location:	Fixture Type:	Qty:
Notes:		Lamps:



Features

- Socket Cup:** Formed aluminum cup, pre-wired with socket. Snaps onto upper reflector for secure attachment without tools; assures proper lamp alignment to optics for consistent performance.
- Mounting Frame:** Galvanized steel for dry or plaster ceilings. Accepts other 6" Triple Tube reflectors (see S6132BU Spec Sheet).
- Retaining Springs:** Precision-tooled steel friction springs secure reflector to mounting frame for quick, tool-less installation.
- Mounting Brackets:** Galvanized Steel. Adjustable through aperture. Use 3/4" or 1 1/2" lathing channel, 1/2" EMT or optional mounting bars. See Options and Accessories for optional mounting bars.
- Ballast/J-Box:** Electronic 120V-277V. UL listed for through branch circuit wiring with max of (8) No. 12AWG, 90°C supply conductors. Outboard-mounted to reduce heat transfer and maintain lamp efficacy and life. Service from below without tools.
- Shielding Media:** Available in fresnel lens, clear lens, or opal diffuser. Secured to aperture cone.
- Reflector:** aluminum. Clear Iridescence Free finish or Comfort Clear™ low iridescence finish. Retained by friction springs; no loose parts.

Options and Accessories

Emergency	Add suffix EM*
Chicago Plenum	S6132BULC
Existing/Thk. Ceiling	FA EC6*
Emergency Lighting Kit	FA EM3E* or FA EM4E*
Fuse (Slow Blow)	Add suffix F
Adjustable Residential Mounting bars	7994
18" Mounting Bars (set of 2)	1950
27" Mounting Bars (set of 2)	1951
T-bar anchor clips (set of 4)	1956

for use with 18" or 27" Mounting bars

* See Spec. Sheets: **FAEC, FAEM**
IC Frame available; see **C6CFL32** specification sheet.

Ordering guide

Frame-In Kit	Lamp	Orientation	Dimming Options (Voltage) ¹
S6	132	B	
S6 Steel Frame for 6" Aperture	132 1 lamp CFL 26/32W Triple Tube	B Both Vertical & Horizontal	U Universal (120V/277V) JUM7 Mark 7 Dimming (120/277V) J1MX Mark 10 Dimming (120V) J2MX Mark 10 Dimming (277V)
Remodeler	Orientation	Input Voltage	Type
6132	B	U	RM
6132 6" aperture, 1 lamp 26/32W Triple Tube CFL	B Both Vertical & Horizontal	U Universal (120V/277V)	RM Remodeler
Reflector	Lens	Finish	Flange
8091			
8091 6" aperture Calculite CFL lensed downlight	C Clear D Opal Diffuser ² F Fresnel P Prismatic	CL Specular Clear CCL Comfort Clear ² CCD Comfort Clear Diffuse WH White (painted) ³	W White (painted) P Polished (matches aperture)
	C Clear F Fresnel ⁴	CCZ Champagne Bronze	W White (painted) P Polished (matches aperture)

- For other dimming products available, please consult factory.
- Opal Diffuser with Comfort Clear (CCL) is only available with Polished flange.
- White finish is only available with a White flange
- Fresnel with Champagne Bronze (CCZ) finish is only available with Polished flange.

Electrical

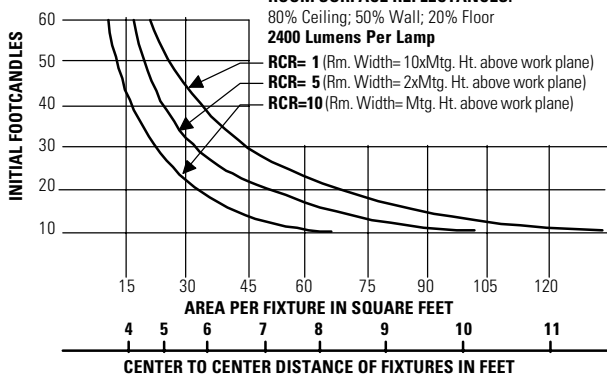
For ballast electrical data and latest lamp/ballast compatibility refer to "Ballast" spec sheet for complete electrical data. UL Listed for through branch circuit wiring with max of (8) No 12 AWG, 90°C supply conductors.

Labels

All units are UL listed for wet locations; Opal Diffuser is UL listed for damp locations.

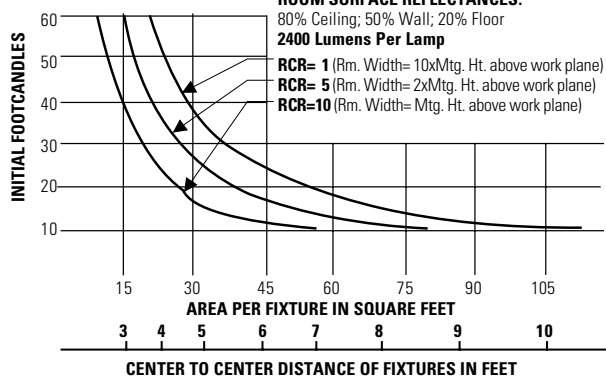
Calculite CFL 6", Lensed Downlight, Triple Tube Horizontal Lamp

32W Clear Cone (CL) Quick Calculator



This quick calculator chart determines the number and spacing of 1 Lt.- 32W PL-T units with fresnel lens and clear reflector, for any level of illumination. Conversion factors: Opal diffuser, fc x 0.8; Clear lens, fc x 1.0. 1 Lt.- 26W PLT : Fresnel Lens, fc x 0.8; Opal Diffuser, fc x 0.65; Clear lens fc x 0.8.

32W White Cone (WH) Quick Calculator

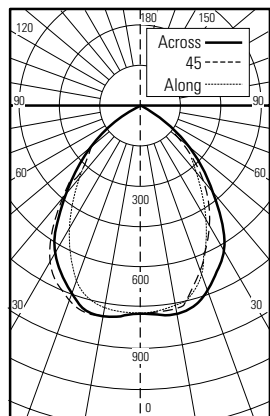


This quick calculator chart determines the number and spacing of 1 Lt.- 32W PL-T units with fresnel lens and white cone, for any level of illumination. Conversion factors: Opal diffuser, fc x 0.8; Clear lens, fc x 1.0. 1 Lt.- 26W PLT : Fresnel Lens, fc x 0.8; Opal Diffuser, fc x 0.65; Clear lens fc x 0.8.

Spacing Ratio = 1.2

CERTIFIED TEST REPORT NO. 0075FR
COMPUTED BY LSI PROGRAM **TEST-LITE**
CALCULITE 6" DIAMETER RECESSED FLUORESCENT LENSED DOWNLIGHT
SEMI-SPECULAR REFLECTOR WITH CLEAR CONE AND FRESNEL LENS
LUMEN RATING = 2400 LMS.

1-32W PL-T LAMP,



ANGLE	CANDLEPOWER				
	ALONG 22.5	45	67.5	ACROSS	LUMENS
0	780	780	780	780	780
5	773	778	779	782	785
10	758	768	774	781	790
15	736	732	738	753	776
20	680	647	664	699	739
25	589	552	591	633	688
30	499	489	530	572	630
35	413	425	446	481	536
40	334	358	364	386	425
45	268	286	288	304	323
50	210	232	232	239	244
55	87	105	109	116	119
60	32	38	42	45	47
65	6	8	9	9	11
70	1	1	1	2	2
75	1	1	1	1	1
80	1	1	1	1	1
85	0	1	1	0	1
90	0	1	1	0	1

ZONAL LUMENS AND PERCENTAGES			
ZONE	LUMENS	% LAMP	% LUMINAIRE
0-30	585	24.40	47.62
0-40	886	36.92	72.06
0-60	1216	50.67	98.90
0-90	1229	51.24	100.00
40-90	343	14.32	27.94
60-90	13	.57	1.10
90-180	0	.00	.00
0-180	1229	51.24	100.00

** EFFICIENCY = 51.2% **

Coefficients Of Utilization

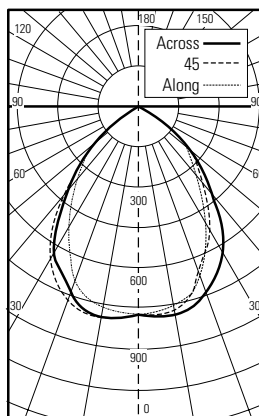
ROOM CAVITY RATIO	% EFFECTIVE CEILING CAVITY REFLECTANCE																							
	80				70				50				30				10				0			
	50	30	10	0	50	30	10	0	50	30	10	0	50	30	10	0	50	30	10	0				
1	.56	.55	.54	.56	.54	.53	.53	.52	.51	.51	.51	.50	.49	.48	.48	.48	.47	.46	.45	.44				
2	.52	.50	.48	.51	.49	.48	.50	.48	.47	.48	.47	.46	.45	.44	.44	.43	.42	.41	.41	.40				
3	.48	.46	.44	.48	.45	.43	.46	.44	.43	.45	.43	.42	.44	.43	.41	.40	.39	.38	.37	.36				
4	.45	.42	.40	.44	.42	.39	.43	.41	.39	.42	.40	.38	.41	.39	.38	.37	.36	.35	.34	.33				
5	.42	.38	.36	.41	.38	.36	.40	.37	.35	.39	.37	.35	.38	.36	.35	.34	.33	.32	.31	.30				
6	.38	.35	.33	.38	.35	.32	.37	.34	.32	.36	.34	.32	.36	.33	.32	.31	.30	.29	.28	.27				
7	.35	.32	.30	.35	.32	.29	.34	.31	.29	.33	.31	.29	.33	.31	.29	.28	.27	.26	.25	.24				
8	.32	.29	.27	.32	.29	.27	.31	.28	.26	.30	.28	.26	.30	.28	.26	.25	.24	.23	.22	.21				
9	.30	.27	.24	.30	.26	.24	.29	.26	.24	.29	.26	.24	.28	.26	.24	.23	.22	.21	.20	.19				
10	.28	.24	.22	.27	.24	.22	.27	.24	.22	.26	.24	.22	.26	.23	.22	.21	.20	.19	.18	.17				

20% FLOOR CAVITY REFLECTANCE
Conversion Factors: 1 Lt-32W PLT: Opal Diffuser, CU x 0.8; Clear Lens, CU x 1.0.
1 Lt-26W PLT: Fresnel Lens, CU x 1.1; Opal Diffuser, CU x 0.9; Clear Lens, CU x 1.1.

Spacing Ratio = 1.1

CERTIFIED TEST REPORT NO. 0072FR
COMPUTED BY LSI PROGRAM **TEST-LITE**
CALCULITE 6" DIAMETER RECESSED FLUORESCENT LENSED DOWNLIGHT
SEMI-SPECULAR REFLECTOR WITH WHITE CONE AND FRESNEL LENS
LUMEN RATING = 2400 LMS.

1-32W PL-T LAMP,



ANGLE	CANDLEPOWER				
	ALONG 22.5	45	67.5	ACROSS	LUMENS
0	656	656	656	656	656
5	649	654	657	660	662
10	626	639	650	660	669
15	588	605	622	639	654
20	525	546	567	592	617
25	452	479	501	526	563
30	378	419	432	450	490
35	312	363	361	370	405
40	256	303	290	297	322
45	200	233	225	231	244
50	144	156	165	171	180
55	99	115	115	117	120
60	66	74	76	77	79
65	46	48	49	50	52
70	35	36	37	38	39
75	26	27	27	27	28
80	16	17	17	19	19
85	7	9	9	9	9
90	1	1	1	1	1

ZONAL LUMENS AND PERCENTAGES			
ZONE	LUMENS	% LAMP	% LUMINAIRE
0-30	468	19.51	44.30
0-40	697	29.07	66.29
0-60	956	40.28	91.86
0-90	1052	43.86	100.00
40-90	354	14.76	33.71
60-90	85	3.57	8.14
90-180	0	.00	.00
0-180	1052	43.86	100.00

** EFFICIENCY = 43.9% **

Coefficients Of Utilization

ROOM CAVITY RATIO	% EFFECTIVE CEILING CAVITY REFLECTANCE																							
	80				70				50				30				10				0			
	50	30	10	0	50	30	10	0	50	30	10	0	50	30	10	0	50	30	10	0				
1	.48	.46	.45	.47	.46	.44	.45	.44	.43	.43	.43	.42	.42	.41	.41	.40	.39	.38	.37	.36				
2	.44	.42	.40	.42	.41	.39	.41	.40	.38	.40	.39	.38	.39	.38	.37	.36	.35	.34	.33	.33				
3	.40	.37	.35	.39	.37	.35	.38	.38	.34	.37	.35	.34	.36	.33	.33	.33	.32	.31	.30	.29				
4	.37	.34	.32	.36	.34	.32	.35	.33	.31	.34	.32	.31	.34	.32	.30	.30	.29	.28	.27	.26				
5	.34	.31	.29	.33	.31	.28	.33	.30	.28	.32	.30	.28	.31	.29	.28	.27	.26	.25	.24	.23				
6	.31	.28	.26	.31	.28	.26	.30	.28	.26	.29	.27	.25	.28	.26	.25	.24	.23	.22	.21	.20				
7	.29	.26	.23	.28	.25	.23	.25	.25	.23	.27	.25	.23	.27	.25	.23	.22	.21	.20	.19	.18				
8	.26	.23	.21	.26	.23	.21	.26	.23	.21	.25	.23	.21	.25	.23	.21	.20	.19	.18	.17	.16				
9	.24	.21	.19	.24	.21	.19	.24	.21	.19	.23	.21	.19	.23	.21	.19	.18	.17	.16	.15	.14				
10	.23	.20	.18	.22	.20	.18	.22	.19	.18	.22	.19	.17	.21	.19	.17	.16	.15	.14	.13	.12				

20% FLOOR CAVITY REFLECTANCE
Conversion Factors: 1 Lt-32W PLT: Opal Diffuser, CU x 0.8; Clear Lens, CU x 1.0.
1 Lt-26W PLT: Fresnel Lens, CU x 1.1; Opal Diffuser, CU x 0.9; Clear Lens, CU x 1.1.



©2015 Koninklijke Philips N.V. All rights reserved.
Philips reserves the right to make changes in specifications and/or to discontinue any product at any time without notice or obligation and will not be liable for any consequences resulting from the use of this publication.

Philips Lighting,
North America Corporation
200 Franklin Square Drive,
Somerset, NJ 08873
Tel. 855-486-2216

Imported by: Philips Lighting,
A division of Philips Electronics Ltd.
281 Hillmount Rd, Markham, ON,
Canada L6C 2S3
Tel. 800-668-9008