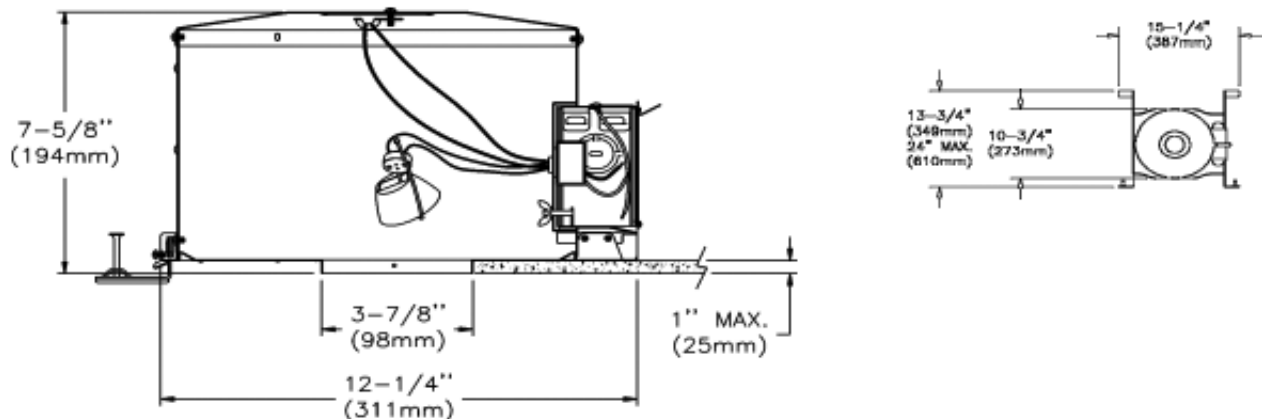


# Lytecaster Recessed Downlighting **302MRAICEX**

Page 1 of 1

3 3/4" (95mm) Aperture Low Voltage 50W MR16 12V IC / Air Seal Electronic Frame-in-Kit



Complete fixture consists of Reflector Trim & Frame-In Kit. Select each separately

Power Pack	Cut-Out	Reflector Trim
302MRAICEX	3 3/4" (95mm)	Accepts most 3 3/4" (95mm) 300 series trims ; see Reflector Trim specification sheets.

## Features

- Housing:** .032" (#20 ga.) aluminum. CSA certified and UL Listed for direct contact with thermal insulation. Airseal housing minimizes air leakage to less than 2 CFM at 1.57 PSF (or 75pa), which complies with Model Energy Code (Section 602.3.3) and Washing State Energy Code (Section 502.4) and reduces heat loss and condensation in ceiling. Access door for inspection of junction box.
- Mounting Frame:** .032 (#20 ga.) aluminum. Accommodates ceilings up to 1" thick. 3/8" deep integral lip. Locks into position along length of mounting bars with locking screw and bendable slot. Four slots are positioned 90° apart to simplify alignment. Push-in/twist-out roto-clips hold reflector flush to ceiling.
- Mounting Bars:** 16 ga. galvanized steel. Extend from 14" (356mm) to 24" (610mm). "SwiveLock" system permits installation and wiring below the ceiling. Pre-installed No. 6 auger point screws for installation in wood and steel joists. Attaches to T-bar ceilings without the need of accessories.
- Junction Box:** 2" (51mm) x 4" (102mm) x 3 1/2" (89mm) 22 ga. galvanized steel. Integral cable clamp permit attachment of non-metallic (#12 or #14 ga.) cable without tools or additional connector.
- Socket:** Porcelain body ; Two-pin (GX5.3 base) Pre-wired with 18 ga. Teflon 250° leads to junction box. Lamp cover: Aluminum heat deflector for 50W MR16 / 37W MR16 IR.
- Transformer:** Electronic, 60W Class 2, 120 volt primary, 11.75volts output at max. load. RFI protection compatible with FCC limits. Electronic internal resettable protection. Auto heat regulation that also automatically acts as overload protection. Auto-reset thermal cut-off at 125C.

## Dimming Controls

Use only dimmers specifically designed for use with transformers, like Lightolier Onset, Sunrise series LV or VA dimmers, or any Lightolier Controls dimming system. Low voltage fixtures may produce audible noise. Attention should be given for noise sensitive applications.

## Labels

**Air Seal** Tested in accordance with ASTM E283 (max 2 cfm @ 75 pa) and comply with WSEC & MEC when installed as instructed.

CSA, UL Suitable for damp locations.

Job Information	Type:
<b>Job Name:</b>	
<b>Cat. No.:</b>	
<b>Lamp(s):</b>	
<b>Notes:</b>	