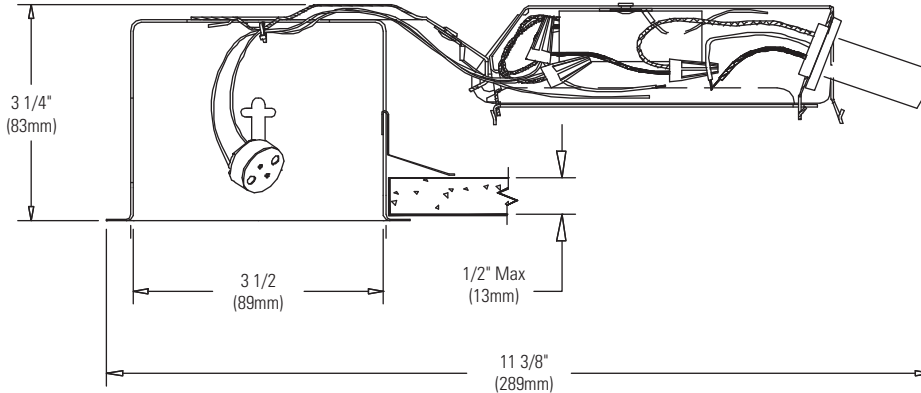
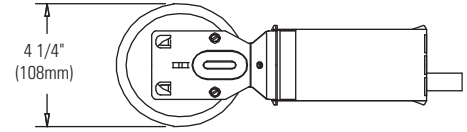


# Lytecaster® Recessed Downlight **303MRE**

3 3/4" Aperture LytePoints® Low Voltage MR16 12V Ultra Shallow Electronic Remodeler (Non-IC)

Page 1 of 1



Complete fixture consists of Reflector Trim & Power Pack. Select each separately.

| Power Pack | Cut-out       | Reflector Trim  |
|------------|---------------|---|
| 303MRE     | 3 3/4" (95mm) | Accepts 313,315, 316, 317 and 373 3 3/4" Low Voltage MR16 trims only;<br>See Reflector Trim specification sheets. |

## Features

- Power Pack:** Ideal for remodeling. Swivel junction box for tight plenum spaces. Snap-off covers permits wiring from below.
- Housing:** 25 ga galvanized steel.
- Retaining Clip:** Zinc plated spring steel. Qty of 3.
- Socket:** Porcelain body; Two-pin (GX5.3 base) Pre-wired with 18 ga. Teflon® 250° leads to junction box.
- Transformer:** Electronic, 60VA, Class 2 transformer, 120 volt primary, nominal 12 volt secondary.
- Thermal Protector:** Meets CSA/UL requirements. Insulation, if used, must be kept 3" (76mm) away from luminaire sides and junction box.

## Accessories

**Thermal Protector Replacement:** 1970

## Labels

CSA, UL, Damp or Wet location rated depending on trim used.

Teflon® is a registered trademark of E.I. DuPont.

| Job Information  | Type: |
|------------------|-------|
| <b>Job Name:</b> |       |
| <b>Cat. No.:</b> |       |
| <b>Lamp(s):</b>  |       |
| <b>Notes:</b>    |       |

**Lightolier** a Genlyte Thomas Company [www.lightolier.com](http://www.lightolier.com)  
 631 Airport Road, Fall River, MA 02720 • (508) 679-8131 • Fax (508) 674-4710  
 We reserve the right to change details of design, materials and finish.  
 © 2011 Genlyte Thomas Group LLC (Lightolier Division) • B0711

**LIGHTOLIER®**