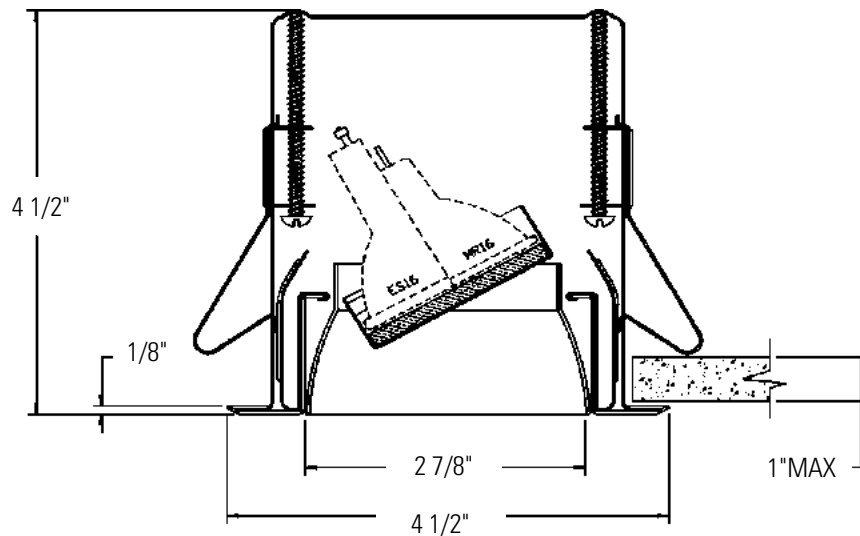


## LytePoints 3 3/4", MR16 & ES/ESD16, Aperture Adjustable Specular Cone



Complete fixture consists of Reflector Trim & Frame-In Kit. Select each separately

Reflector Trim	Frame-In Kit	Lamp
<b>304BAX</b> Specular Black Specular and White Flange	<b>Remodeler</b> <b>300MRSPX</b>	50W MR16
<b>304CLX</b> Specular Clear Specular and White Flange	<b>Remodeler</b> <b>3401MREX</b>	50W MR16
<b>304CCDX</b> Specular Comfort Clear Diffuse Specular and White Flange	<b>Remodeler</b> <b>300ESX</b>	50W ES/ESD16 (GZ10)
	<b>Non-IC</b> <b>302MRSPX</b>	50W MR16
	<b>Non-IC</b> <b>302MREX</b>	50W MR16
	<b>Non-IC</b> <b>302ESX</b>	50W ES/ESD16 (GZ10)
	<b>IC</b> <b>302MRC7SPX*</b>	50W MR16 (37W MR16*)
	<b>IC</b> <b>302MRC9SPX</b>	50W MR16
	<b>IC</b> <b>302ESICX</b>	50W ES/ESD16 (GZ10)
	<b>Air Seal / IC</b> <b>302MRAICSPX</b>	50W MR16
	<b>Air Seal / IC</b> <b>302MRAICEX</b>	50W MR16
	<b>Air Seal / IC</b> <b>302ESAICX</b>	50W ES/ESD16 (GZ10)

### Features

- Housing:** 25ga. galvanized steel.
- Residence Mounting Clip:** Factory-installed ; zinc plated spring steel; free-hand installation.
- Flange Housing:** Cold rolled steel 22ga. White trim flange.
- Aperture Cone:** 18ga. hydroformed aluminum. Specular finish.
- Adjustable Lampholder Support:** 27ga. steel ; Rotates 358° horizontally and 0° to 35° vertically.
- Mounting Clips (2):** 24ga. spring steel, zinc plated. Provide easy snap-in / snap-out action.
- Lamp Guard:** 2" (51mm) dia. borosilicate glass.

### Frame-In Kit

**Note:** For complete Frame-In Kit specifications, see 300 frame specification sheets.

\* Self-Flanged trims 37W Max.

### Labels

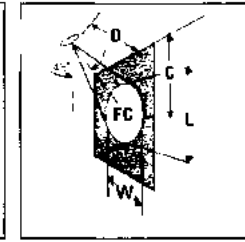
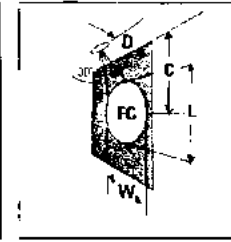
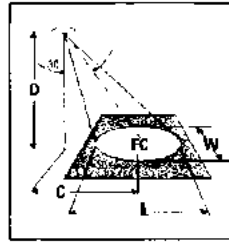
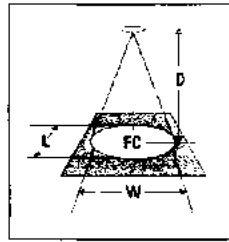
CSA, UL Suitable for damp locations.

Job Information	Type:
<b>Job Name:</b>	
<b>Cat. No.:</b>	
<b>Lamp(s):</b>	
<b>Notes:</b>	

## LytePoints 3 3/4", MR16 & ES/ESD16, Aperture Adjustable Specular Cone

(FC) is initial footcandle at center of beam.  
 Beam length (L) or beam width (W) are to  
 where the candlepower is reduced to 50% of  
 center beam candlepower.  
 CBCP is center beam candlepower.  
 (C) is distance to the center of the beam.

Lamp data shown is typical, and is based on bare  
 lamp photometrics. Contact lamp manufacturers for  
 availability and performance.



Lamps	Beam Spread (to 50% CBCP)	CBCP	Rated Life (Hrs.)	0° AIMING ANGLE				30° AIMING ANGLE				30° AIMING ANGLE				45° AIMING ANGLE						
				D	FC	L	W	D	C	FC	L	W	D	C	FC	L	W	D	C	FC	L	W
<b>MR-16 LOW VOLTAGE HALOGEN BI-PIN LAMPS</b>																						
20W MR-16 VNSP (EZX)	7°	12100	3000	7' 167	0.9'	0.6'	6' 3.5'	148	1.0'	0.8'	2' 9.5'	295	1.0'	0.5'	4' 4.0'	181	1.0'	0.7'	6' 6.0'	81	1.5'	1.0'
20W MR-16 NSP (ESX)	13°	3600	3000	8' 56	1.8'	1.8'	7' 4.0'	48	2.1'	1.8'	3' 5.2'	50	2.0'	1.4'	5' 5.0'	51	2.3'	1.6'	7' 7.0'	26	3.2'	2.3'
20W MR-16 FL-BABI	40°	525	4000	2' 131	1.5'	1.5'	2' 1.2	85	2.0'	1.7'	2' 3.5'	119	4.8'	1.5'	2' 3.0'	46	3.4'	2.1'	3' 5.8'	21	5.0'	3.1'
20W MR-16 NSP (RBI)	12°	8700	4000	10' 87	2.1'	2.1'	9' 5.2	70	2.5'	2.2'	3' 5.2	121	2.6'	1.3'	4' 4.0'	192	1.7'	1.2'	6' 6.0'	85	2.6'	1.8'
35W MR-16 SP (FRA)	27°	1950	4000	6' 108	2.1'	2.1'	5' 2.9	101	2.4'	2.2'	2' 3.5	122	3.1'	1.4'	3' 3.0	153	2.2'	1.5'	5' 5.0'	55	3.6'	2.5'
35W MR-16 FL (MW)	40°	7600	4000	6' 94	4.4'	4.4'	5' 2.9	42	5.1'	4.2'	2' 3.5	50	9.7'	2.9'	4' 4.0'	35	6.7'	4.1'	5' 5.0'	23	8.4'	5.1'
37W MR-16 IR (NSP)	11°	11500	4000	6' 180	1.4'	1.4'	7' 4.0'	152	1.6'	1.4'	3' 5.2	160	2.1'	1.0'	5' 5.0	183	1.8'	1.2'	7' 7.0'	83	2.5'	1.7'
37W MR-16 IR (FL)	25°	3500	4000	8' 97	2.7'	2.7'	5' 2.9	91	2.0'	2.6'	2' 3.5	109	4.2'	1.8'	3' 3.0'	137	2.6'	1.9'	5' 5.0'	49	4.7'	3.1'
37W MR-16 IR (FL)	40°	2050	4000	4' 128	2.9'	2.9'	3' 1.7	148	3.0'	2.5'	1' 1.7	258	4.0'	1.5'	3' 3.0'	61	5.0'	3.1'	4' 4.0'	45	6.7'	4.1'
42W MR-16 VNSP (EZY)	9°	13,100	3500	8' 205	1.3'	1.3'	7' 4.0	174	1.5'	1.3'	3' 5.2	182	1.9'	0.9'	5' 5.0	185	1.6'	1.1'	7' 7.0	95	2.2'	1.6'
42W MR-16 NFL (EYS)	27°	2400	4000	6' 67	2.9'	2.9'	5' 2.9	62	3.3'	2.8'	2' 3.5	75	4.6'	1.9'	4' 4.0'	53	4.1'	2.7'	5' 5.6'	34	5.1'	3.4'



© 2013 Koninklijke Philips N.V. (Royal Philips). All rights reserved.  
 Specifications are subject to change without notice.  
[www.philips.com/luminaires](http://www.philips.com/luminaires)

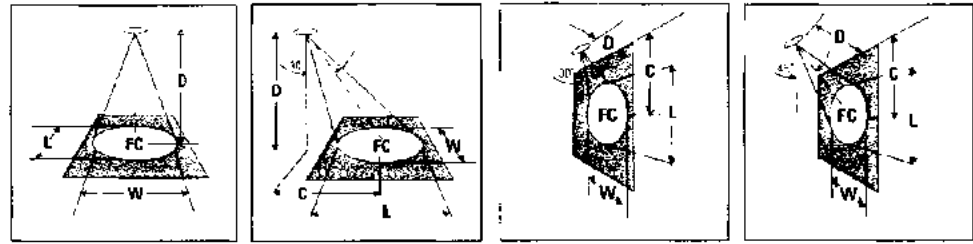
Philips Lighting Company  
 200 Franklin Square Drive  
 Somerset, NJ 08873  
 Phone: 855-486-2216

Philips Lighting Company  
 281 Hillmount Road  
 Markham ON, Canada L6C 2S3  
 Phone: 905-201-4100

## LytePoints 3 3/4", MR16 & ES/ESD16, Aperture Adjustable Specular Cone

(FC) is initial footcandles at center of beam.  
 Beam length (L) or beam width (W) are to where the candlepower is reduced to 50% of center beam candlepower.  
 CBCP is center beam candlepower.  
 (C) is distance to the center of the beam.

Lamp data shown is typical, and is based on bare lamp photometrics. Contact lamp manufacturers for availability and performance.



Lamps	Beam Spread (to 50% CBCP)	CBCP	Rated Life (Hrs.)	0° AIMING ANGLE				30° AIMING ANGLE				30° AIMING ANGLE				45° AIMING ANGLE						
				D	FC	L	W	D	C	FC	L	W	D	C	FC	L	W	D	C	FC	L	W
<b>MR-16 LOW VOLTAGE HALOGEN BI-PIN LAMPS</b>																						
50W MR-16 NSP (EX1)	14°	10,200	4000	8'	189	2.0'	2.0'	7'	4.0'	135	2.3'	2.0'	3'	5.2'	142	3.0'	1.5'	5'	5.0'	144	2.3'	1.7'
				12'	71	2.8'	2.8'	10'	5.8'	86	3.3'	2.8'	4'	6.9'	80	4.1'	2.0'	7'	7.0'	74	3.8'	2.4'
				15'	40	3.8'	3.9'	13'	7.5'	39	4.3'	3.7'	5'	8.7'	51	5.1'	2.5'	9'	9.0'	45	4.8'	3.1'
50W MR-16 NFL (EX2)	27°	3400	4000	6'	81	2.9'	2.9'	5'	2.9'	88	3.3'	2.8'	2'	3.5'	106	4.6'	1.9'	3'	3.0'	134	3.1'	2.0'
				8'	53	3.8'	3.8'	7'	4.0'	45	4.6'	3.9'	3'	5.2'	47	7.0'	2.9'	5'	5.0'	48	5.1'	3.4'
				13'	34	4.8'	4.8'	9'	5.2'	27	5.9'	5.0'	4'	6.9'	27	9.3'	3.6'	7'	7.0'	25	7.1'	4.8'
50W MR-16 FL (EXA)	40°	1850	4000	4'	116	2.9'	2.9'	3'	1.7'	134	3.0'	2.5'	1'	1.7'	231	4.8'	1.5'	3'	3.0'	73	5.0'	3.1'
				6'	51	4.4'	4.4'	5'	2.9'	48	5.1'	4.2'	2'	3.5'	58	3.7'	2.3'	4'	4.0'	41	6.7'	4.1'
				8'	28	5.8'	5.8'	7'	4.0'	25	7.1'	5.9'	3'	5.2'	26	14.5'	4.4'	5'	5.0'	26	8.4'	5.1'
50W MR-16 WFL (EXV)	55°	1150	4000	3'	126	3.1'	3.1'	8'	1.7'	83	4.6'	3.6'	1'	1.7'	144	22.3'	2.1'	2'	2.0'	102	5.7'	2.9'
				5'	46	5.2'	5.2'	5'	2.9'	30	7.6'	6.0'	2'	3.5'	26	44.5'	4.2'	3'	3.0'	45	8.6'	4.4'
				7'	23	7.3'	7.3'	7'	4.0'	15	10.7'	8.4'	3'	5.2'	6	66.8'	6.2'	4'	4.0'	25	11.4'	5.9'
75W MR-16 SP	10°	14000	4000	8'	215	1.4'	1.4'	7'	4.0'	186	1.6'	1.4'	3'	5.2'	94	2.1'	1.0'	5'	5.0'	198	1.8'	1.2'
				12'	97	2.1'	2.1'	10'	5.8'	91	2.3'	2.0'	4'	6.9'	105	2.9'	1.4'	7'	7.0'	101	2.5'	1.7'
				16'	55	2.8'	2.9'	13'	7.5'	54	3.0'	2.6'	5'	8.7'	70	3.6'	1.7'	9'	9.0'	61	3.2'	2.5'
75W MR-16 FL	36°	2500	4000	4'	156	2.5'	2.5'	3'	1.7'	180	2.7'	2.3'	1'	1.7'	313	3.8'	1.3'	3'	3.0'	98	4.4'	2.9'
				6'	59	3.8'	3.8'	5'	2.9'	65	4.5'	3.8'	2'	3.5'	78	7.5'	2.6'	4'	4.0'	55	5.8'	3.7'
				8'	39	5.2'	5.2'	7'	4.0'	33	6.3'	5.3'	3'	5.2'	35	11.4'	3.9'	5'	5.0'	36	7.3'	4.6'
75W MR-16 NSP (EXD)	14°	12,000	4000	10'	25	6.5'	6.5'	9'	5.2'	20	6.1'	6.6'	4'	6.9'	20	15.2'	5.2'	6'	6.0'	26	6.7'	5.5'
				8'	188	2.0'	2.0'	7'	4.0'	158	2.3'	2.0'	3'	5.2'	167	3.1'	1.5'	5'	5.0'	170	2.5'	1.7'
				12'	83	2.8'	2.9'	10'	5.8'	78	3.3'	2.8'	4'	6.9'	94	4.1'	2.0'	7'	7.0'	87	3.5'	2.4'
75W MR-16 NFL (EXJ)	25°	4500	4000	16'	47	3.9'	3.9'	13'	7.5'	40	4.3'	3.7'	5'	8.7'	60	5.1'	2.5'	9'	9.0'	52	4.5'	3.1'
				20'	30	4.9'	4.9'	16'	9.2'	30	5.3'	4.5'	6'	10.4'	42	6.2'	2.9'	11'	11.0'	35	5.5'	3.8'
				6'	131	3.1'	3.1'	5'	2.9'	129	3.0'	2.6'	2'	3.5'	153	4.2'	1.8'	3'	3.0'	102	2.8'	1.9'
75W MR-16 FL (EXC)	42°	2100	4000	8'	77	3.5'	3.5'	7'	4.0'	85	4.2'	3.6'	3'	5.2'	68	6.2'	2.7'	5'	5.0'	69	4.7'	3.1'
				10'	49	4.4'	4.4'	9'	5.2'	39	5.4'	4.6'	4'	6.9'	38	8.3'	3.5'	7'	7.0'	35	6.5'	4.4'
				12'	34	5.3'	5.3'	11'	6.4'	26	6.6'	5.6'	5'	8.7'	25	10.4'	4.4'	9'	9.0'	21	8.4'	5.6'
50W MR-16 NSP	11°	10,500	3500	4'	119	2.9'	2.9'	3'	1.7'	137	3.0'	2.5'	1'	1.7'	238	4.8'	1.5'	3'	3.0'	75	5.7'	3.1'
				6'	53	4.4'	4.4'	5'	2.9'	49	5.1'	4.2'	2'	3.5'	59	9.7'	2.9'	4'	4.0'	42	6.7'	4.1'
				8'	30	5.8'	5.8'	7'	4.0'	25	7.1'	5.9'	3'	4.0'	26	14.5'	4.4'	5'	5.0'	27	8.4'	5.1'
50W MR-16 NFL	25°	3000	3500	10'	19	7.3'	7.3'	9'	5.2'	15	9.1'	7.6'	4'	5.2'	15	19.3'	5.8'	6'	6.0'	19	10.1'	6.2'
				8'	47	3.5'	3.5'	7'	4.0'	40	4.2'	3.6'	3'	5.2'	42	6.2'	2.7'	5'	5.0'	42	4.7'	3.1'
				10'	30	4.4'	4.4'	9'	5.2'	24	5.4'	4.6'	4'	6.9'	23	8.3'	3.5'	7'	7.0'	22	6.5'	4.4'
50W MR-16 FL	40°	1900	3500	12'	2'	5.3'	5.3'	11'	6.4'	16	6.6'	5.6'	5'	8.7'	15	10.4'	4.4'	9'	9.0'	13	8.4'	5.6'
				4'	119	2.9'	2.9'	3'	1.7'	137	3.0'	2.5'	1'	1.7'	238	4.8'	1.5'	3'	3.0'	75	5.7'	3.1'
				6'	53	4.4'	4.4'	5'	2.9'	49	5.1'	4.2'	2'	3.5'	59	9.7'	2.9'	4'	4.0'	42	6.7'	4.1'



© 2013 Koninklijke Philips N.V. (Royal Philips). All rights reserved.  
 Specifications are subject to change without notice.  
[www.philips.com/luminaires](http://www.philips.com/luminaires)

Philips Lighting Company  
 200 Franklin Square Drive  
 Somerset, NJ 08873  
 Phone: 855-486-2216

Philips Lighting Company  
 281 Hillmount Road  
 Markham ON, Canada L6C 2S3  
 Phone: 905-201-4100