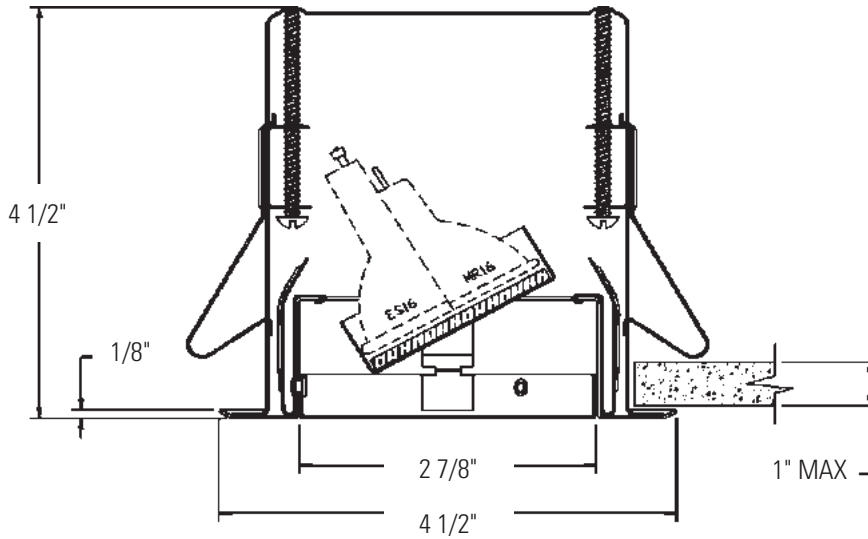


Lytecaster Recessed Downlighting **309X**



Complete fixture consists of Reflector Trim & Frame-In Kit. Select each separately

Reflector Trim		Frame-In Kit	Lamp
309STX	Stainless Steel Plated	Remodeler 300MRSPX	50W MR16
309WHX	White Paint	Remodeler 3401MREX	42W MR16
		Remodeler 300ESX	50W ES/ESD16 (GZ10)
		Non-IC 302MRSPX	50W MR16
		Non-IC 302MREX	50W MR16
		Non-IC 302ESX	50W ES/ESD16 (GZ10)
		IC 302MRAIC9SPX	50W MR16
		IC 302ESICX	50W ES/ESD16 (GZ10)
		Air Seal/IC 302MRAICEX/302MRAICSPX	37W MR16

Features

- Housing:** 25ga galvanized steel.
- Residence Mounting Clip:** Factory-installed; zinc plated spring steel; free-hand installation.
- Aperture Plate:** Die-formed 24 ga. steel. Inner shield, welded to aperture plate; black finish.
- Adjustable Lampholder Support:** 27ga. steel ; Rotates 358° horizontally and 0° to 40° vertically.
- Mounting Clips (2):** 24ga. spring steel, zinc plated. Provide easy snap-in / snap-out action.
- Lamp Guard:** 2" (51mm) dia. borosilicate glass.

Frame-In Kit

Note: For complete Frame-In Kit specifications, see 300 frame specification sheets.

Labels:

CSA , UL Suitable for damp locations.

Job Information

Type:

Job Name:

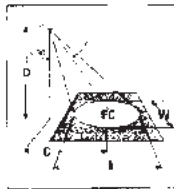
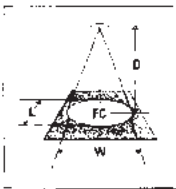
Cat. No.:

Lamp(s):

Notes:

IFC is initial focus distance at center of beam.
Beam length (L) and beam width (W) are to where the candlepower is reduced to 50% of center beam candlepower.
CBCP is center beam candlepower.
IC is distance to the center of the beam.

Lamp data shown is for 3300K and is based on bare lamp photometrics. Contact lamp manufacturers for availability and performance.



Lamp	Beam Spread (50% CBCP)	JCP*	Lamp (Lumens)	30° AIMING ANGLE				30° AIMING ANGLE				30° AIMING ANGLE				45° AIMING ANGLE							
				D	FC	L	W	D	C	FC	L	W	D	C	FC	L	W	D	C	FC	L	W	
MR-16 LOW VOLTAGE HALOGEN BI-PIN LAMPS																							
20W MR-16 VNSP (E2X1)	7°	5200	4000	7' 16.3	0.57	0.57	1.0	6' 7.5	148	1.3	0.81	2' 1.5	258	1.0	0.5	4' 4.0	66.1	1.0	0.7	3' 6.0	81	1.5	1.0
20W MR-16 NSP (ESX)	12°	3600	3000	10' 42	1.27	1.27	1.5	8' 4.2	84	1.9	1.2	3' 5.2	114	1.5	0.7	5' 6.0	81	1.5	1.0	4' 0.0	45	2.0	1.4
20W MR-16 FL BABI	42°	525	4000	6' 10.3	1.4	1.4	1.4	5' 2.9	94	1.5	1.3	2' 5.5	112	1.3	0.9	3' 3.0	144	1.4	1.0	2' 5.0	57	2.2	1.6
20W MR-16 NSP (HPI)	12°	5400	4000	10' 45	1.3	1.3	1.5	8' 5.2	74	2.1	1.8	3' 5.2	110	1.4	1.0	5' 5.0	57	2.2	1.6	4' 0.0	45	2.0	1.4
20W MR-16 SP (HAI)	23°	7901	4000	12' 25	2.1	2.1	2.1	11' 6.4	70	3.4	2.9	4' 8.7	81	1.2	0.9	5' 10.0	16	4.2	2.9	4' 0.0	12	8.7	4.1
20W MR-16 FL (HAI)	40°	1800	4000	8' 10.6	2.1	2.1	2.1	5' 2.9	101	2.4	2.0	2' 5.5	122	1.7	1.4	3' 3.0	163	2.7	2.0	2' 5.0	55	2.6	2.0
20W MR-16 R (HAI)	25°	3503	4000	10' 48	2.4	2.4	2.4	11' 6.4	74	3.3	2.8	4' 8.7	81	1.2	0.9	5' 10.0	16	4.2	2.9	4' 0.0	12	8.7	4.1
20W MR-16 R (NFL)	25°	3503	4000	10' 48	2.4	2.4	2.4	11' 6.4	74	3.3	2.8	4' 8.7	81	1.2	0.9	5' 10.0	16	4.2	2.9	4' 0.0	12	8.7	4.1
20W MR-16 R (FL)	40°	2052	4300	8' 12	2.8	2.8	2.8	7' 4.0	122	1.6	1.4	3' 5.2	183	2.1	1.0	5' 5.0	163	1.8	1.2	4' 0.0	36	6.7	4.1
20W MR-16 R (FL)	40°	2052	4300	8' 12	2.8	2.8	2.8	7' 4.0	122	1.6	1.4	3' 5.2	183	2.1	1.0	5' 5.0	163	1.8	1.2	4' 0.0	36	6.7	4.1
20W MR-16 VNSP (LZY)	9°	3600	3600	10' 20	1.5	1.5	1.5	13' 7.5	44	3.0	2.6	4' 8.7	81	1.2	0.9	5' 10.0	16	4.2	2.9	4' 0.0	12	8.7	4.1
20W MR-16 HAI (LZY)	23°	2400	4000	12' 20	2.1	2.1	2.1	15' 2.2	39	3.7	3.2	4' 8.7	81	1.2	0.9	5' 10.0	16	4.2	2.9	4' 0.0	12	8.7	4.1
20W MR-16 NSP (LX1)	14°	4000	4000	10' 20	1.5	1.5	1.5	13' 7.5	44	3.0	2.6	4' 8.7	81	1.2	0.9	5' 10.0	16	4.2	2.9	4' 0.0	12	8.7	4.1
20W MR-16 NFL (E2X1)	27°	3400	4000	10' 20	1.5	1.5	1.5	13' 7.5	44	3.0	2.6	4' 8.7	81	1.2	0.9	5' 10.0	16	4.2	2.9	4' 0.0	12	8.7	4.1
20W MR-16 FL (E2X1)	42°	1800	4000	8' 12	2.8	2.8	2.8	7' 4.0	122	1.6	1.4	3' 5.2	183	2.1	1.0	5' 5.0	163	1.8	1.2	4' 0.0	36	6.7	4.1
20W MR-16 VFL (LZY)	9°	3600	3600	10' 20	1.5	1.5	1.5	13' 7.5	44	3.0	2.6	4' 8.7	81	1.2	0.9	5' 10.0	16	4.2	2.9	4' 0.0	12	8.7	4.1
20W MR-16 SP	10°	4000	4000	10' 20	1.5	1.5	1.5	13' 7.5	44	3.0	2.6	4' 8.7	81	1.2	0.9	5' 10.0	16	4.2	2.9	4' 0.0	12	8.7	4.1
20W MR-16 FL	36°	2500	4000	10' 20	1.5	1.5	1.5	13' 7.5	44	3.0	2.6	4' 8.7	81	1.2	0.9	5' 10.0	16	4.2	2.9	4' 0.0	12	8.7	4.1
20W MR-16 E (E2X1)	18°	12,000	4000	8' 12	2.8	2.8	2.8	7' 4.0	122	1.6	1.4	3' 5.2	183	2.1	1.0	5' 5.0	163	1.8	1.2	4' 0.0	36	6.7	4.1
20W MR-16 NFL (E2X1)	27°	4900	4000	10' 20	1.5	1.5	1.5	13' 7.5	44	3.0	2.6	4' 8.7	81	1.2	0.9	5' 10.0	16	4.2	2.9	4' 0.0	12	8.7	4.1
20W MR-16 FL (E2X1)	42°	2100	4000	8' 12	2.8	2.8	2.8	7' 4.0	122	1.6	1.4	3' 5.2	183	2.1	1.0	5' 5.0	163	1.8	1.2	4' 0.0	36	6.7	4.1
MR-16 HALOGEN LOW VOLTAGE BI-PIN LAMPS WITH ALUMINIZED (NON-DICHROIC) REFLECTORS																							
20W MR-16 NSP	11°	3500	3500	12' 25	2.1	2.1	2.1	15' 2.2	39	3.7	3.2	4' 8.7	81	1.2	0.9	5' 10.0	16	4.2	2.9	4' 0.0	12	8.7	4.1
20W MR-16 HAI	23°	3000	3500	10' 20	1.5	1.5	1.5	13' 7.5	44	3.0	2.6	4' 8.7	81	1.2	0.9	5' 10.0	16	4.2	2.9	4' 0.0	12	8.7	4.1
20W MR-16 FL	40°	1900	3500	8' 12	2.8	2.8	2.8	7' 4.0	122	1.6	1.4	3' 5.2	183	2.1	1.0	5' 5.0	163	1.8	1.2	4' 0.0	36	6.7	4.1

Job Information **Type:**

