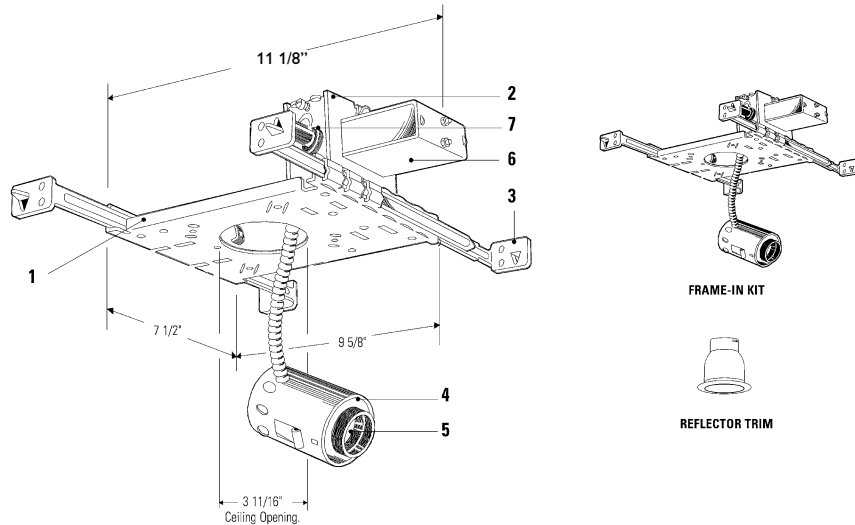


## Lytecaster, 3 3/4" Aperture Low Voltage MR16 Standard Frame-In Kit

Project:	Catalog No:	Mfg:
Location:	Fixture Type:	Qty:
Notes:		Lamps:



Complete Fixture consists of Reflector Trim & Frame-In Kit. Select each separately.

Frame-In Kit	Reflector Trims — See Individual Reflector Trim Specification Sheets							
	Open Downlight					Adjustable		Enclosed
	Aperture Cone	Satin Cone	Baffles	Slot	Pinhole	Mini Swivel	Eyeball	Wet Location
2000LV	2012 2012NM 2013BKNM 2013CD 2013CDNM 2013NM 2013BK 2013WH 2013 2013WD 2013WDP	2008 2008NM 2010 2010NM	2005 2005WH 2005BNM 2005NM 2076WH30K	2006	2011	2025WH	2022LV	2090LV 2026WH

**Note:**  
use shielded lamps only

### Features

- Mounting Frame:** .036" (#20 ga.) galvanized steel. Accommodates all ceilings up to 1" thick. Push-in/twist-out rotoclips hold reflector flush to ceiling.
- Junction Box:** 4" x 3 1/2" x 2", .063" (#14 ga.) galvanized steel. U.L. listed for maximum of 8 No. 12 ga. 90° C through branch circuit conductors (75° C end of run). Integral cable clamps permit attachment of nonmetallic Romex® or armored cable without need of additional connectors.
- Mounting Bars:** .059" (#16 ga.) galvanized steel. 13" long bars extend to 27" with integral nailing tabs. Attaches to wood joist without need of accessories.
- Socket Housing:** Aluminum with lamp adjustment assembly allows 35° max. vertical 358° horizontal adjustment. (See reflector trim specification sheet for specific adjustment.)
- Socket:** Field replaceable. Two pin socket, pre-wired with #18 SF1 leads to junction box.
- Transformer:** Outboard mounted, magnetic, 120V. primary, nominal 12V. secondary. Removable from below.
- Thermal Protector:** Meets NEC and UL requirements. Insulation must be kept 3" away from fixture sides and wiring compartments and must not be placed above fixture in a manner which will entrap heat.
- Lamping:** Use shielded lamps only.

### Dimming

Dimming Controls: use only dimmers specifically designed for use with magnetic transformers, like Lightolier Onset®, Sunrise® series LV or VA dimmers, or any Lightolier Controls dimming system. Low voltage fixtures may produce audible sound when used with dimmers, which may be objectionable in acoustically critical areas.

### Options & Accessories

<b>Mounting Bars:</b>	1964 - 20" set of (2)
<b>T-Bar Ceiling Clips:</b>	1956 - set of (4)
<b>Plaster Ceiling Ring:</b>	1959 - 7/8" depth for wet plaster ceilings.
<b>MR16 Socket Replacement:</b>	1975B
<b>277V Remote Step-Down Transformer:</b>	7997 - 277V down to 120V 300W max. load.

Socket for General Electric Turn and Lock (TAL) MR16 Lamp: 1975TAL.

### Labels

UL (Suitable for Damp Locations), I.B.E.W.  
Romex® is a registered trademark of General Cable Industries Inc.