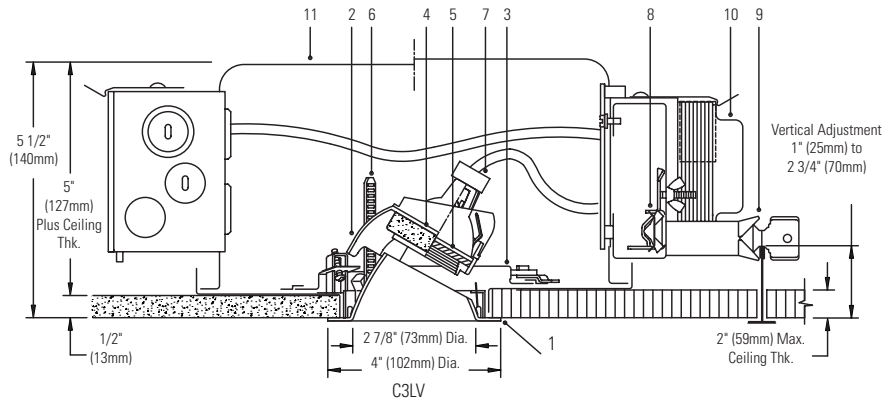
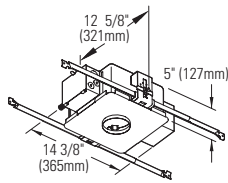


# Calculite Evolution Non-IC Frame-In Kit **C3LV**



**Ceiling Cutout: 3 1/2" (89 mm) Dia.**

**For Complete Fixture Order: Trim Kit + Frame-In Kit. Each Sold Separately.**

Frame-In Kit		Lamp*	Trim Kit (See individual Trim Kit Specification Sheets)							
			Downlight		Wall Washer	Adjustable Accent			Glasslite	Glasslite
			Open Reflector	1 1/4" Pinhole	Downlight (Wet Loc.)	Cone	Cone (Wet Loc.)	1 1/4" (Wet Loc.)	Downlight (Wet Loc.)	Adjustable (Wet Loc.)
<b>C3LV</b>	Magnetic 120V/277V	42W-65W MR16 (12V)	<b>C3MRD</b> Series	<b>C3MRPD</b> Series	<b>C3MRL</b> Series	<b>C3MRA</b> Series	<b>C3MRW</b> Series	<b>C3MRPA</b> Series	<b>C3MRGD</b> Series	<b>C3MRGA</b> Series
<b>C3LVE1</b>	Electronic 120V	20W-65W MR16 (12V)								
<b>C3LVE2</b>	Electronic 277V	20W-65W MR16 (12V)								

\* Lamp wattage restriction: 65W for up to 1" thick ceiling, 50W for ceiling thickness greater than 1" (up to 2")

**Note:** Magnetic not recommended for residential or noise sensitive areas.

## Features

- Housing:** Drawn, 0.036" (20 Ga.) steel. Matte black finish.
- Mounting Frame:** Die-formed, 0.036" (20 Ga.) steel, matte black finish. 1/2" deep integral lip. Four slots are positioned 90° apart to simplify alignment.
- Trim Kit Horizontal Adjustment Mechanism:** Die-formed steel ring, matte black finish. Provides 362° horizontal stop, lockable with Philips screwdriver.
- Thick Ceiling Vertical Adjustment Mechanism:** Adjustable trim kit vertically to accommodate up to 2" thick ceiling, toolless and lockable.
- Frame Vertical Adjustment Mechanism:** Accommodates mounting to virtually any ceiling system using pre-installed mounting bars, or 1/2" EMT tubing (by others). Single locking features secures all adjustments. Alignment holes and markings allow fixture to be pre-set prior to installation. Final adjustment can be made from below inside fixtures.
- Mounting Bars (C3LV):** Galvanized steel, 0.048"; pre-installed telescoping bars extend from 20" to 30" long and lock securely into position. Built-in locking tabs provide positive attachment to common T-bar systems. Self-centering feature simplified installation in 24" O.C. grid systems. Attaches to steel or wood joists without accessories.
- Lampholder:** Procelain bi-pin socket. Pre-wired with No.18 AWG PTFE leads.
- Junction Box:** 3-1/2" X 4-3/4" X 2-3/8" deep; 0.063" (#14 ga.) galvanized steel. UL listed for maximum of (8) No. 12 AWG 90° C through branch circuit conductors. Accessible from inside and outside of luminaire. Outside J-Box door is hinged for maximum opening.
- Thermal Protector:** Meets NEC and UL requirements. Insulation must be kept 3" away from any parts of the luminaire and must not be placed above luminaire in a manner which will entrap heat.
- Trim Kit:** Order Separately. See individual trim kit specification sheets for information.

## Electrical

**Transformer:** Replaceable from below; Transformer door rotates into fixture, positioning transformer directly over aperture to allow one-handed removal  
**Magnetic:** 120V/277V 60 Hz. dual-voltage, core & coil. (Note: Magnetic not recommended for residential or noise sensitive areas.)  
**Electronic:** 120V or 277V 50/60 Hz., regulated lamp volage, HPF, EMI and circuit protections, thermal auto-reset, quiet operation.

**Dimming Controls:** Use only dimmers specifically designed for use with magneic or electronic transformers. Consult Lightolier Controls for information. Low voltage luminaires may produce audible sound when used with dimmers, which may be objectionable in acoustically critical areas.

## Labels

U.L. (Suitable For Damp Locations), I.B.E.W.

## Options and Accessories

**Plaster Trim Ring (use with flangeless trim kit):** CA3FMR

**Chicago Plenum:** Consult Factory

Job Information	Type:
<b>Job Name:</b>	
<b>Cat. No.:</b>	
<b>Lamp(s):</b>	
<b>Notes:</b>	

Lightolier a Genlyte company www.lightolier.com  
 631 Airport Road, Fall River, MA 02720 • (508) 679-8131 • Fax (508) 674-4710  
 We reserve the right to change details of design, materials and finish.  
 © 2011 Genlyte Group LLC • D0711