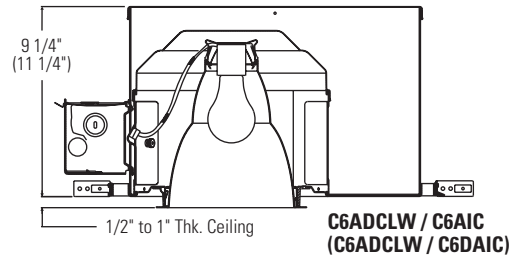
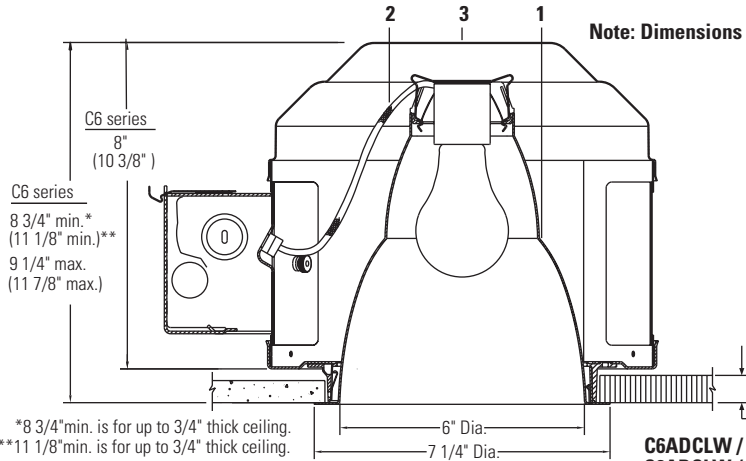
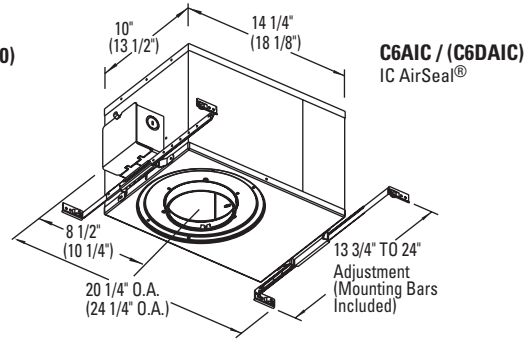
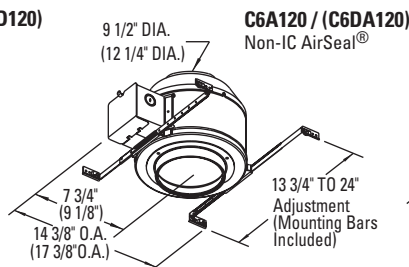
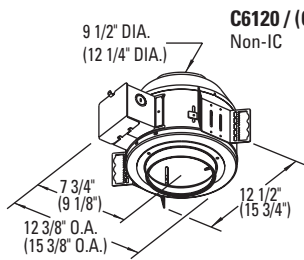




Calculite® Evolution Incandescent Open Downlight **C6AD**



*8 3/4" min. is for up to 3/4" thick ceiling.
**11 1/8" min. is for up to 3/4" thick ceiling.

C6ADCLW / C6120 or C6ADCLW / C6A120
C6ADCLW / C6D120 or C6ADCLW / C6DA120

Ceiling Cutout: 6 11/16" Dia.

Reflector Trim		Frame-In Kit					
C6AD CLW	Specular Clear, White Flange	Shallow Non-IC	Shallow Non-IC AirSeal®	Shallow IC-AirSeal®	Deep Non-IC	Deep Non-IC AirSeal®	Deep IC-AirSeal®
C6AD CLP	Specular Clear, Polished Flange						
C6AD	Add suffix. See options for other finishes.	C6120	C6A120	C6A1C	C6D120	C6DA120	C6DA1C
			100W A19, MB19 100W BT15		100W A19, BT15, MB19 150W A21		100W A19, MB19 100W BT15 150W A21

Features

- Reflector:** 16 ga. aluminum, 50° visual cut-off to lamp and lamp image, medium spread distribution. Available with painted white or polished flange. Interchangeable with other Evolution 6" line voltage trims.
- Socket Harness:** Spring tension clips snap into die-cast aluminum top at pre-focused positions insuring correct optical alignment. Medium base porcelain socket with nickel plated screw shell, No. 18 SF-1 leads to keyed plug-in quick connector for power connection to junction box.
- Frame-in-Kit:** Compatible frame-in kits are listed above. See separate frame-in kit specification sheets for details.
Non-IC and Non-IC AirSeal® - Insulation must be kept 3" away from fixture sides and wiring compartments and must not be placed above fixture in a manner which will entrap heat.
IC-AirSeal® - Fixture may be in direct contact with insulation.

Options & Accessories

Reflector Finishes¹

- Clear: CL
- Comfort Clear Diffuse: CCD
- Champagne Bronze: CCZ
- Gold: GD
- White: WH

¹Specify desired flange: **W** White, **P** Polished

Labels

UL Listed (suitable for damp locations), I.B.E.W.

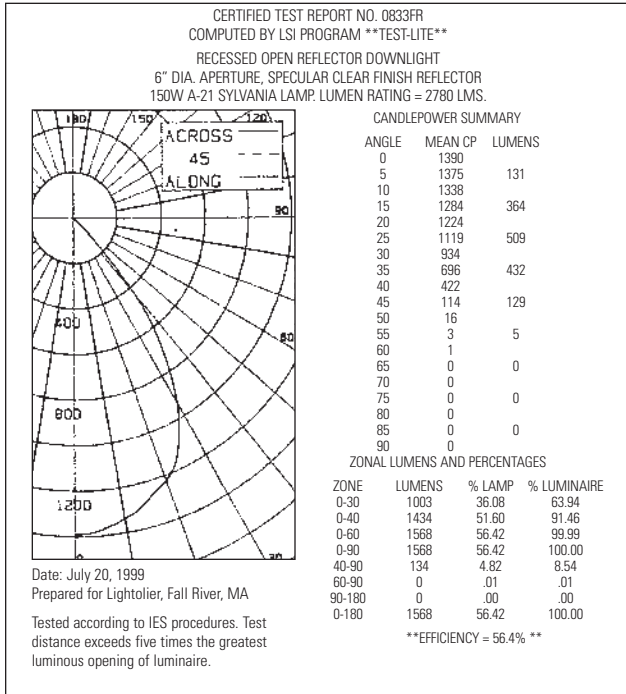
Job Information	Type:
Job Name:	
Cat. No.:	
Lamp(s):	
Notes:	

Lightolier a Genlyte company www.lightolier.com
 631 Airport Road, Fall River, MA 02720 • (508) 679-8131 • Fax (508) 674-4710
 We reserve the right to change details of design, materials and finish.
 © 2011 Genlyte Group LLC • D0711

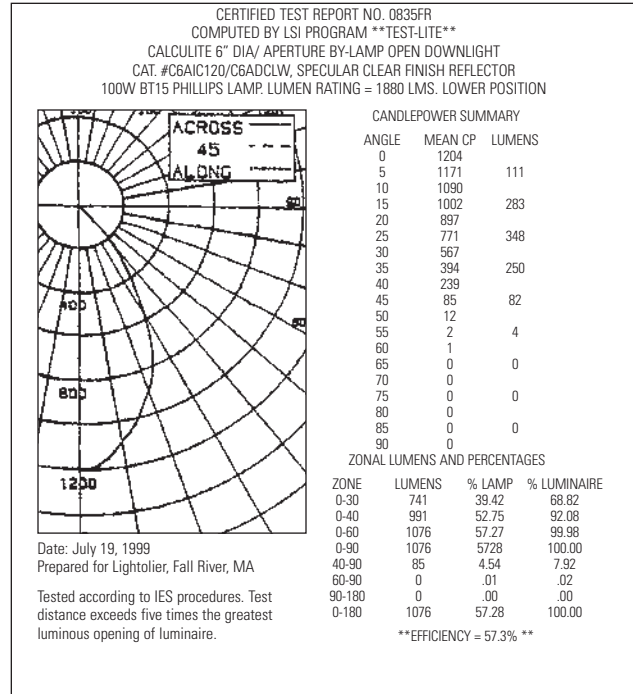
LIGHTOLIER®



SPACING RATIO = 1.1



SPACING RATIO = 0.9



COEFFICIENTS OF UTILIZATION
 % EFFECTIVE CEILING CAVITY REFLECTANCE

ROOM CAVITY RATIO	% EFFECTIVE CEILING CAVITY REFLECTANCE															
	80			70			50			30			10			0
	50	30	10	50	30	10	50	30	10	50	30	10	50	30	10	0
1	.63	.62	.61	.61	.61	.60	.59	.58	.57	.57	.56	.56	.55	.55	.54	
2	.59	.57	.56	.58	.57	.55	.57	.55	.54	.55	.54	.53	.53	.53	.52	.51
3	.56	.53	.51	.55	.53	.51	.54	.52	.50	.52	.51	.49	.51	.50	.49	.48
4	.53	.50	.48	.52	.50	.48	.51	.49	.47	.50	.48	.47	.49	.47	.46	.45
5	.50	.47	.45	.49	.46	.44	.48	.46	.44	.47	.45	.44	.46	.45	.43	.42
6	.47	.44	.42	.46	.44	.42	.46	.43	.41	.45	.43	.41	.44	.42	.41	.40
7	.44	.41	.39	.44	.41	.39	.43	.40	.39	.42	.40	.38	.42	.40	.38	.37
8	.41	.38	.36	.41	.38	.36	.40	.38	.36	.40	.38	.36	.39	.37	.36	.35
9	.39	.36	.34	.39	.36	.34	.38	.35	.33	.38	.35	.33	.37	.35	.33	.32
10	.36	.33	.31	.36	.33	.31	.36	.33	.31	.35	.33	.31	.35	.33	.31	.30

20% FLOOR CAVITY REFLECTANCE

Conversion Factors
 150W A21: Clear, C.U. x 1.0; Diffuse/Gold, C.U. x 0.90FL
 60W - 100W A19: Clear, C.U. x 1.15; Diffuse/Gold, C.U. x 1.0FL

COEFFICIENTS OF UTILIZATION
 % EFFECTIVE CEILING CAVITY REFLECTANCE

ROOM CAVITY RATIO	% EFFECTIVE CEILING CAVITY REFLECTANCE															
	80			70			50			30			10			0
	50	30	10	50	30	10	50	30	10	50	30	10	50	30	10	0
1	.64	.63	.62	.63	.62	.61	.61	.60	.59	.59	.58	.57	.57	.56	.56	.55
2	.61	.59	.57	.60	.58	.56	.58	.56	.55	.56	.55	.54	.55	.54	.53	.52
3	.57	.55	.53	.56	.54	.53	.55	.53	.52	.54	.52	.51	.53	.51	.50	.49
4	.54	.52	.50	.54	.51	.49	.53	.50	.49	.51	.50	.48	.50	.49	.48	.47
5	.51	.48	.46	.51	.48	.46	.50	.48	.46	.49	.47	.45	.48	.46	.45	.44
6	.49	.46	.44	.48	.46	.44	.48	.45	.43	.47	.45	.43	.46	.44	.43	.42
7	.46	.43	.41	.46	.43	.41	.45	.42	.41	.44	.42	.40	.44	.42	.40	.40
8	.44	.41	.39	.43	.40	.38	.43	.40	.38	.42	.40	.38	.42	.39	.38	.37
9	.41	.38	.36	.41	.38	.36	.40	.38	.36	.40	.37	.36	.39	.37	.35	.35
10	.39	.36	.34	.39	.36	.34	.38	.35	.34	.38	.35	.34	.37	.35	.33	.33

20% FLOOR CAVITY REFLECTANCE

Conversion Factors
 60W to 100W BT15: Clear C.U. x 1.00; Diffuse/Gold, C.U. x 0.90
 60W to 100W MB19: Clear C.U. x 0.95; Diffuse/Gold, C.U. x 0.85

Job Information **Type:**

Lightolier a Genlyte company www.lightolier.com
 631 Airport Road, Fall River, MA 02720 • (508) 679-8131 • Fax (508) 674-4710
 We reserve the right to change details of design, materials and finish.
 © 2011 Genlyte Group LLC • D0711