

Reflector Trim	Frame-In Kit
<b>8022 CCLW</b> Comfort Clear™, White Flange <b>8022 CCLP</b> Comfort Clear™, Polished Flange <b>8022 CCL</b> Comfort Clear™, Molded Trim Ring <b>8022</b> <input type="checkbox"/> Add suffix. See options for other finishes.	<b>S7126BU</b> 7" aperture, 1 lamp 26W Triple Tube CFL (120/277V) 4-Pin (Amalgam) <b>S7132BU</b> 7" aperture, 1 lamp 26/32W Triple Tube CFL (120/277V) 4-Pin (Amalgam) <b>S7142BU</b> 7" aperture, 1 lamp 26/32/42W Triple Tube CFL (120/277V) 4-Pin (Amalgam) <b>Dimming Options:</b> <b>S7132B</b> <input type="checkbox"/> or <b>S7142B</b> <input type="checkbox"/> <b>CU3</b> Lightolier PowerSpec 3% Dimming (120/277V) <b>J1LD3</b> Lutron 5% Dimming (120V) <b>J2LD3</b> Lutron 5% Dimming (277V) <b>JUM7</b> Mark 7 Dimming (120/277V) <b>J1MX</b> Mark 10 Dimming (120V) <b>J2MX</b> Mark 10 Dimming (277V) Other dimming product available, please consult factory
<b>Remodeler Frame-In Kits</b>	
<b>7126BURM</b> 7" aperture, 1 lamp 26W Triple Tube CFL (120/277V) 4-Pin (Amalgam) <b>7132BURM</b> 7" aperture, 1 lamp 26/32W Triple Tube CFL (120/277V) 4-Pin (Amalgam) <b>7142BURM</b> 7" aperture, 1 lamp 26/32/42W Triple Tube CFL (120/277V) 4-Pin (Amalgam)	

## Features

- Reflector:** 16 ga. Alzak® aluminum, 50° visual cutoff to lamp and lamp image, medium distribution. Comfort Clear™ low iridescence finish. Self-flanged or flangeless with molded white trim ring (field paintable).
- Socket Cup:** Effectively dissipates heat and positions lamp holder. Snaps onto reflector neck to assure consistently correct optical alignment without tools.
- Mounting Frame:** Galvanized steel for dry or plaster ceilings. Accepts other 6" Triple Tube reflectors (see S6132BU Spec Sheet).
- Retaining Springs:** Precision-tooled steel friction springs secure reflector to mounting frame for quick, tool-less installation.
- Mounting Brackets:** 16 ga. steel. Adjust from inside of fixture. Use 3/4" or 1 1/2" lathing channel, 1/2" EMT, or optional mounting bars.
- Ballast/J-Box:** Electronic 120V-277V. UL listed for through branch circuit wiring with max of (8) No. 12 AWG, 90°C supply conductors. Outboard mounted to reduce heat transfer and maintain lamp efficacy and life. Service from below without tools.

## Electrical

**Note:** Note: For ballast electrical data and latest lamp/ballast compatibility refer to "Ballast" specification sheet for complete electrical data.

UL Listed for through branch circuit wiring with max of (8) No 12 AWG, 90 degree C supply conductors.

## Options and Accessories

Comfort Clear™ Finishes <sup>1</sup>		Other Finishes	
Diffuse	<b>CCD</b>	White	<b>WH</b>
Champagne Bronze	<b>CCZ</b>	Specular Clear	<b>CL</b>
Pewter	<b>CPW</b>		

<sup>1</sup>Specify desired flange. **W** White, **P** Polished, Blank - Molded Ring

## Options and Accessories (continued)

Emergency Ltg. Kit	<b>FA EM3E*</b>
	<b>FA EM4*</b>
Fuse (Slow Blow)	Add suffix <b>F</b>
Existing/Thk. Ceiling	<b>Plaster Trim Ring CA7FL</b>
Emergency	Add suffix <b>EM*</b>
Chicago Plenum	Use 7142, BULC
*See Spec. Sheets: FAEM, FAEC	

Mounting Bars & Accessories; see Specification Sheet MBA.  
Sloped Ceiling Adapters; see Specification Sheet SCA.

## Labels

UL, CUL, I.B.E.W

Alzak® is a registered trademark of ALCOA

## Job Information

## Type:

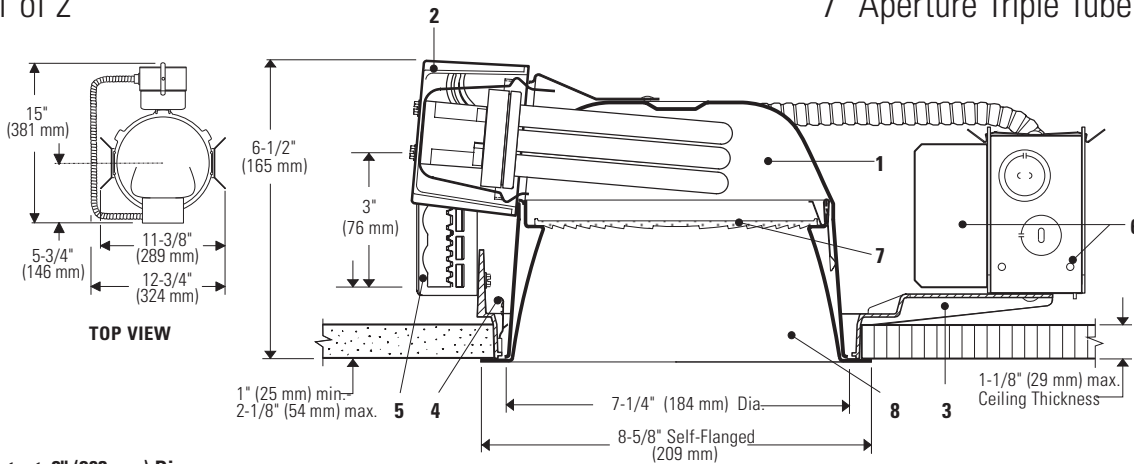
**Job Name:**

**Cat. No.:**

**Lamp(s):**

**Notes:**





Ceiling Cutout: 8" (203 mm) Dia.

Reflector Trim				Frame-In Kit	
(Lens)	Fresnel	Clear	Prismatic		
Clear Cone, White Flange	<b>8097FCLW</b>	<b>8097CCLW</b>	<b>8097PCLW</b>	<b>S7126BU</b> 7" aperture, 1 lamp 26W Triple Tube CFL (120/277V) 4-Pin (Amalgam)	
Clear Cone, Polished Flange	<b>8097FCLP</b>	<b>8097CCLP</b>	<b>8097PCLP</b>	<b>S7132BU</b> 7" aperture, 1 lamp 26/32W Triple Tube CFL (120/277V) 4-Pin (Amalgam)	
White Cone, White Flange	<b>8097FWHW</b>	<b>8097CWHW</b>	<b>8097PWHW</b>	<b>S7142BU</b> 7" aperture, 1 lamp 26/32/42W Triple Tube CFL (120/277V) 4-Pin (Amalgam)	
<b>Opal Diffuser</b>				<b>Dimming Options:</b>	
Clear Cone, White Flange	<b>8097DCLW</b>			<b>S7132B</b> <input type="checkbox"/> or <b>S7142B</b> <input type="checkbox"/>	
Clear Cone, Polish Flange	<b>8097DCLP</b>			<b>CU3</b> Lightolier PowerSpec 3% Dimming (120/277V)	
White Cone, White Flange	<b>8097DWHW</b>			<b>J1LD3</b> Lutron 5% Dimming (120V) <b>J2LD3</b> Lutron 5% Dimming (277V)	
				<b>JUM7</b> Mark 7 Dimming (120/277V) <b>J1MX</b> Mark 10 Dimming (120V)	
				<b>J2MX</b> Mark 10 Dimming (277V)	
Other dimming product available, please consult factory					
Remodeler Frame-In Kits					
				<b>7126BURM</b> 7" aperture, 1 lamp 26W Triple Tube CFL (120/277V) 4-Pin (Amalgam)	
				<b>7132BURM</b> 7" aperture, 1 lamp 26/32W Triple Tube CFL (120/277V) 4-Pin (Amalgam)	
				<b>7142BURM</b> 7" aperture, 1 lamp 26/32/42W Triple Tube CFL (120/277V) 4-Pin (Amalgam)	

### Features

- Reflector:** 16 ga. Die-formed aluminum, Anobrite® finish.
- Socket Cup:** Snaps onto reflector to assure consistently correct optical alignment without tools.
- Retaining Springs:** Precision-tooled steel friction springs secure reflector to mounting frame for quick, tool-less installation.
- Mounting Brackets:** 16 ga. steel. Adjust from inside of fixture. Use 3/4" or 1 1/2" lathing channel, 1/2" EMT, or optional mounting bars.
- Ballast/J-Box:** Outboard mounted to reduce heat transfer and maintain lamp efficacy and life. Service from below without tools.
- Shielding Media:** Molded acrylic. Available in fresnel lens, clear lens, or opal diffuser. Secured to aperture cone.
- Cone:** 16 ga. Alzak® aluminum. Clear Iridescence Free finish or Comfort Clear™ low iridescence finish. Retained by friction springs; no loose parts.

### Electrical

**Note:** For ballast electrical data and latest lamp/ballast compatibility refer to "Ballast" specification sheet for complete electrical data.

UL listed for through branch circuit wiring with max of (8) No. 12 AWG, 90° C supply conductors.

### Options and Accessories

<b>Comfort Clear™ Finishes<sup>1</sup></b>		<b>Other Finishes</b>	
Clear	<b>CCL</b>	White	<b>WH</b>
Diffuse	<b>CCD</b>		
Champagne Bronze	<b>CCZ</b>		

<sup>1</sup>Specify desired flange

**W** White, **P** Polished

Emergency Add suffix **EM\***

Chicago Plenum Add suffix **LC**

### Options and Accessories (continued)

Existing/Thk. Ceiling **FA EC7\***

Emergency Ltg. Kit **FA EM3E\***

**FA EM4E\***

Fuse (Slow Blow) Add Suffix **F**

\*See Spec. Sheets: FAEC, FAEM

Mounting Bars & Accessories; see Specification Sheet MBA.

Sloped Ceiling Adapters; see Specification Sheet SCA.

### Labels

All units are UL listed for wet locations, Opal Diffuser is UL listed for damp locations, I.B.E.W.

Alzak® is a registered trademark of ALCOA.

Job Information	Type:
<b>Job Name:</b>	
<b>Cat. No.:</b>	
<b>Lamp(s):</b>	
<b>Notes:</b>	

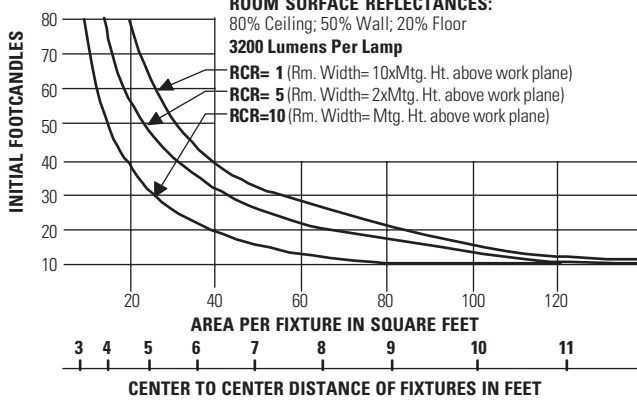
631 Airport Road, Fall River, MA 02720 • (508) 679-8131 • Fax (508) 674-4710

We reserve the right to change details of design, materials and finish.

www.lightolier.com © 2011 Philips Group • C0711

### Clear Reflector Cone (CL)

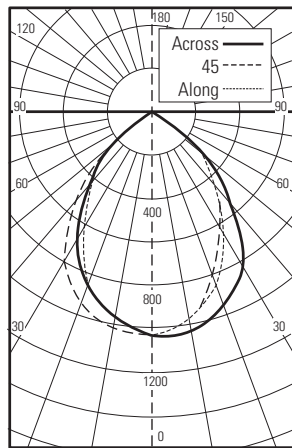
#### Quick Calculator



This quick calculator chart determines the number and spacing of 1 Lt. - 42W PL-T units with Fresnel Lens and Clear Cone for any level of illumination. Conversion factors: Opal diffuser, fc x 0.8; Clear Shielding, fc x 1.0.

#### Spacing Ratio = 1.2

CERTIFIED TEST REPORT NO. 0066FR  
COMPUTED BY LSI PROGRAM \*\*TEST-LITE\*\*  
CALCULITE 7 3/16" DIAMETER RECESSED FLUORESCENT LENSED DOWNLIGHT  
SEMI-SPECULAR REFLECTOR WITH CLEAR CONE AND FRESNEL LENS  
LUMEN RATING = 3200 LMS. 1-42W PL-T LAMP



\*\* EFFICIENCY = 47.0% \*\*

ZONAL LUMENS AND PERCENTAGES			
ZONE	LUMENS	% LAMP	% LUMINAIRE
0-30	719	22.47	47.85
0-40	1081	33.79	71.95
0-60	1490	46.58	99.19
0-90	1502	46.97	100.00
40-90	421	13.17	28.05
60-90	12	.38	.81
90-180	0	.00	.00
0-180	1502	46.97	100.00

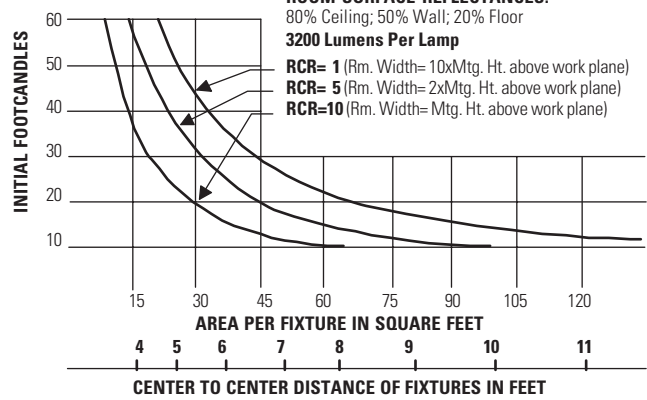
#### Coefficients Of Utilization

ROOM CAVITY RATIO	% EFFECTIVE CEILING CAVITY REFLECTANCE															
	80			70			50			30			10			0
	% WALL REFLECTANCE						0									
50	30	10	50	30	10	50	30	10	50	30	10	50	30	10		
1	.52	.51	.49	.51	.50	.49	.49	.48	.47	.47	.46	.46	.46	.45	.44	.44
2	.48	.46	.44	.47	.45	.44	.46	.44	.43	.44	.43	.42	.43	.42	.41	.40
3	.44	.42	.40	.44	.42	.40	.43	.41	.39	.41	.40	.38	.40	.39	.38	.37
4	.41	.38	.36	.41	.38	.36	.40	.37	.36	.39	.37	.35	.38	.36	.35	.34
5	.38	.35	.33	.38	.35	.33	.37	.34	.33	.36	.34	.32	.35	.33	.32	.31
6	.35	.32	.30	.35	.32	.30	.34	.32	.30	.33	.31	.29	.33	.31	.29	.29
7	.32	.29	.27	.32	.29	.27	.31	.29	.27	.31	.28	.27	.30	.28	.26	.26
8	.30	.27	.25	.29	.27	.24	.29	.26	.24	.29	.26	.24	.28	.26	.24	.23
9	.28	.24	.22	.27	.24	.22	.27	.24	.22	.26	.24	.22	.26	.24	.22	.21
10	.25	.22	.20	.25	.22	.20	.25	.22	.20	.24	.22	.20	.24	.22	.20	.19

20% FLOOR CAVITY REFLECTANCE  
Conversion Factors: Opal Diffuser, cu x 0.8; Clear Shielding, cu x 1.0.

### White Reflector Cone (WH)

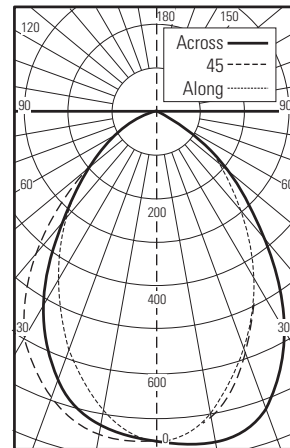
#### Quick Calculator



This quick calculator chart determines the number and spacing of 1 Lt. - 42W PL-T units with Fresnel Lens and White Cone for any level of illumination. Conversion factors: Opal diffuser, fc x 0.8; Clear Shielding, fc x 1.0.

#### Spacing Ratio = 1.2

CERTIFIED TEST REPORT NO. 0071FR  
COMPUTED BY LSI PROGRAM \*\*TEST-LITE\*\*  
CALCULITE 7 3/16" DIAMETER RECESSED FLUORESCENT LENSED DOWNLIGHT  
SEMI-SPECULAR REFLECTOR WITH WHITE CONE AND FRESNEL LENS  
LUMEN RATING = 3200 LMS. 1-42W PL-T LAMP



\*\* EFFICIENCY = 39.3% \*\*

ZONAL LUMENS AND PERCENTAGES			
ZONE	LUMENS	% LAMP	% LUMINAIRE
0-30	531	16.60	42.26
0-40	802	25.07	63.82
0-60	1150	35.96	91.55
0-90	1256	39.23	100.00
40-90	454	14.21	36.18
60-90	106	3.32	8.45
90-180	0	.00	.00
0-180	1256	39.28	100.00

#### Coefficients Of Utilization

ROOM CAVITY RATIO	% EFFECTIVE CEILING CAVITY REFLECTANCE															
	80			70			50			30			10			0
	% WALL REFLECTANCE						0									
50	30	10	50	30	10	50	30	10	50	30	10	50	30	10		
1	.43	.41	.40	.42	.41	.40	.40	.39	.39	.39	.38	.37	.37	.37	.36	.36
2	.39	.37	.35	.38	.36	.35	.37	.35	.34	.36	.35	.33	.35	.34	.33	.32
3	.35	.33	.31	.35	.33	.31	.34	.32	.31	.33	.31	.30	.32	.31	.30	.29
4	.33	.30	.28	.32	.30	.28	.31	.29	.28	.30	.29	.27	.27	.28	.27	.26
5	.30	.27	.26	.30	.27	.25	.29	.26	.25	.28	.26	.25	.27	.26	.24	.24
6	.27	.25	.23	.27	.24	.23	.26	.24	.22	.26	.24	.22	.25	.23	.22	.21
7	.25	.22	.20	.25	.22	.20	.24	.22	.20	.24	.22	.20	.23	.21	.20	.19
8	.23	.20	.18	.23	.20	.18	.22	.20	.18	.22	.20	.18	.22	.20	.18	.17
9	.21	.19	.17	.21	.18	.17	.21	.18	.16	.20	.18	.16	.20	.18	.16	.16
10	.20	.17	.15	.19	.17	.15	.19	.17	.15	.19	.16	.15	.18	.16	.15	.14

20% FLOOR CAVITY REFLECTANCE  
Conversion Factors: Opal Diffuser, cu x 0.8; Clear Shielding, cu x 1.0.

#### Job Information

#### Type:

631 Airport Road, Fall River, MA 02720 • (508) 679-8131 • Fax (508) 674-4710  
We reserve the right to change details of design, materials and finish.  
www.lightolier.com © 2011 Philips Group • C0711