

WARNING! SHUT POWER OFF AT FUSE OR CIRCUIT BREAKER.
AVERTISSEMENT! COUPER LE COURANT AU NIVEAU DES FUSIBLES OU DU DISJONCTEUR.

PREPARATION (Fig. 1)

1. Shut off the power at the fuse box or circuit breaker. If necessary, remove the old fixture including the mounting hardware.
2. Carefully remove the fixture from the carton and check that all parts are included as shown in the illustration.
3. Thread the bottom rod (K) to the nipple (L) of the fixture body (O).
4. Attach the metal washer (J) by screwing into the nipple on the bottom rod (K) until snug.
5. Then put the cloth shade (N) through the nipple on the bottom rod (K) onto the metal washer (J), fasten with metal washer (I).

ASSEMBLING THE FIXTURE WITH CHAIN LOOP (Fig. 2)

6. Determine the desired hanging height and thread rods (F1, F2 and F3) to the nipple of the bottom rod (K). Then attach loop (H1) by screwing in to rod (F1). Note: remove the nipple if installing with one 6" rod only.
7. Attach the quick link (G) to loop (H1) and loop (H2) on the canopy (D), carefully feed the wire over loop (H1), quick link (G) and loop (H2).
8. Thread the screws (C) into the pre-drilled in the crossbar (A) spaced the same distance apart as the holes in the canopy (D).
9. Attach the crossbar (A) to the outlet box using mounting screws (B) (Size: #8-32N*L0.5"). The side of the crossbar marked "GND" must face out.

CONNECTING THE WIRES (Fig. 3)

10. At this point, connect the electrical wires as shown in figure 3, making sure that all wire connectors are secured. If your outlet has a ground wire (green or bare copper), connect the fixture's ground wire to it. Otherwise, connect the fixture's ground wire directly to the crossbar using the green screw provided.
11. Tuck the wire connectors neatly into the ceiling outlet box and then raise the canopy all the way to the ceiling.

COMPLETING THE INSTALLATION (Fig. 1)

12. Thread screws (C) into canopy (D), and secure with cap nuts (E).
13. Install the 3*100W A19 E26 bulbs (not included) in accordance with the fixture's specifications. **(DO NOT EXCEED THE MAXIMUM WATTAGE RATING!) (NE PAS DEPASSER LA PUISSANCE NOMINALE MAXIMALE!).**

Your installation is now complete. Return power to the outlet box and test the fixture.

Note: Illustration (Fig. 1) on this manual is for installation purposes only. It may or may not be identical to the fixture purchased.

Fig. 1

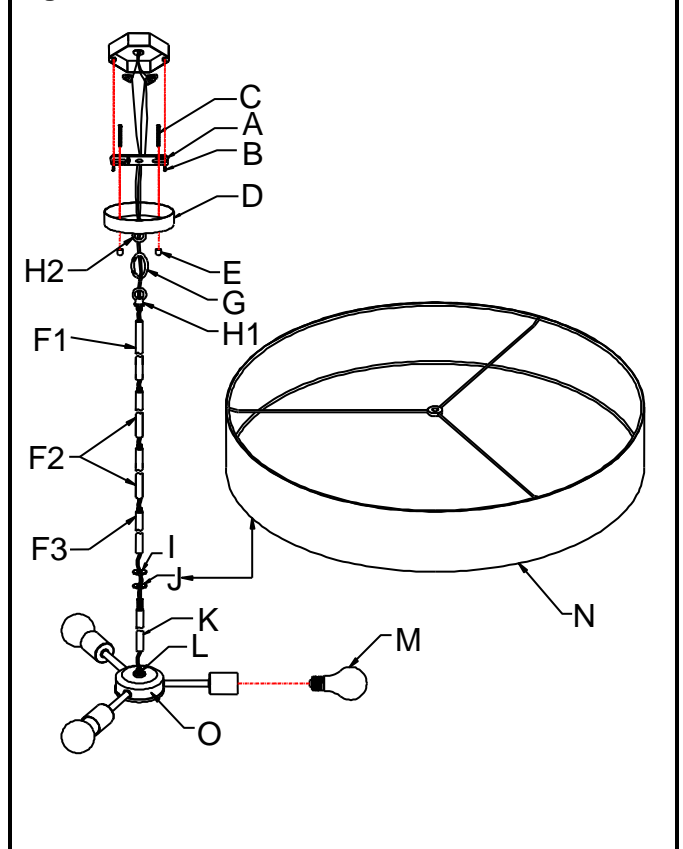


Fig.3

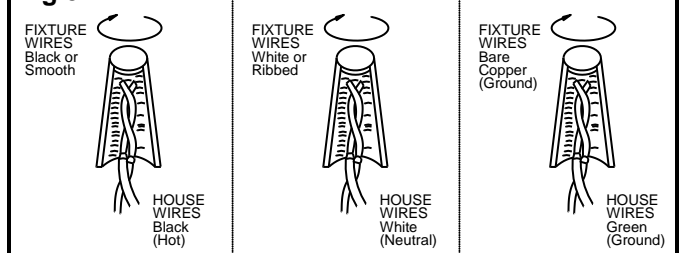
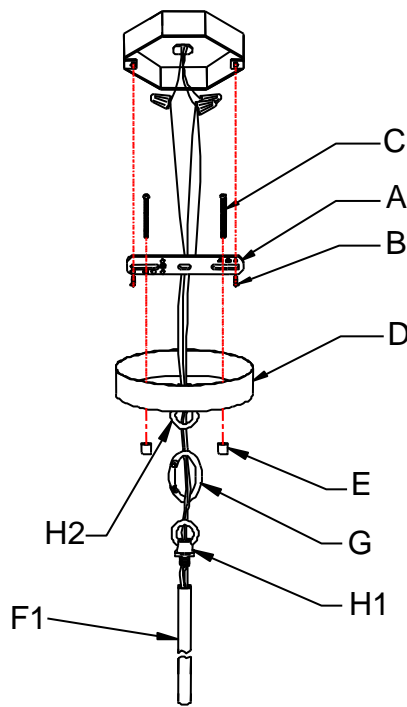
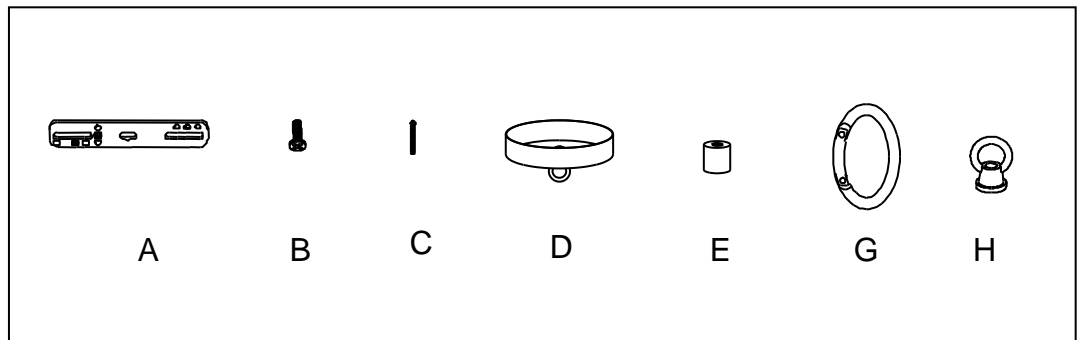


Fig.2



a. Hardware Bag:

- A. Cross Bar*1
- B. Mounting Screw*2
- C. Screw *2
- D. Canopy*1
- E. Cap Nut*2
- H. Loop*2
- G. Quick Link*1



b. Hardware Bag:

- F1. ROD 12"*1
- F2. ROD 12"*2
- F3. ROD 6"*1

