

PH 5-4½ & PH 6½-6

PHC-P / 5-4½ / LED 3000K / 120-277V/60HZ / White / White textile / - / Dim 0-10v / 10000149867

The trumpet-shaped top shade provides illumination of the area above the three lower shades, which primarily direct the light downwards. A base reflector and a blue glare ring protect against glare from all angles. The strongest light is directly under the fixture. The shades have a matte white painted finish to ensure very comfortable lighting.



Poul Henningsen

Poul Henningsen was born in Copenhagen by the famous Danish writer Agnes Henningsen. He never graduated as an architect, but studied at The Technical School at Frederiksberg, Denmark from 1911-14, and then at Technical College in Copenhagen from 1914-17.



Musashino Academia Musicae



Statsministeriet

Product info

Information

Electrical: System Wattage: 22 W - 96 W LED Wattage: 20 W - 94 W Delivered lumens: 1,645 - 4,420 Efficacy: 46.0 - 74.7 lm/W Certifications: cULus, Damp Location Protection class IP20 Controllability: Phase dimming or 0-10V dimming. Color Rendering: Ra≥90 for LED variants.

Mounting

Suspension type: 1x stainless steel aircraft cable (PH 6½-6). Canopy: White. Cord type: 3-conductor, 18 AWG white PVC power cord. Cord length: 12'.

Finish

White.

Materials

Shades: Spun aluminum. Struts: Rolled aluminum.

Sizes and weight

Width x Height x Length (in.) | 18.3 x 12.5 x 18.3 Max 5.4 lbs | 25.6 x 16.4 x 25.6 Max 19.1 lbs

Compliance

cULus, Damp location.

Specification notes

a. 5-4½ available in 1/22W/A-21/120V or 44W LED. b. 5-4½ available in 44W LED variants available with mains dimming at 120V or 0-10V dimming with 120-277V. c. 6½-6 available only in 97W LED with 0-10V dimming with 120-277V.

Light source

LED 3000K
Lumen: 1755

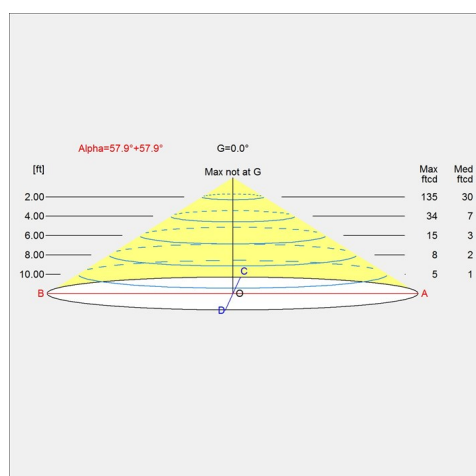
Information

Electrical:
System Wattage: 22 W - 96 W
LED Wattage: 20 W - 94 W
Delivered lumens: 1,645 - 4,420
Efficacy: 46.0 - 74.7 lm/W
Certifications:
cULus, Damp Location
Protection class IP20
Controllability: Phase dimming or 0-10V dimming.
Color Rendering: Ra≥90 for LED variants.

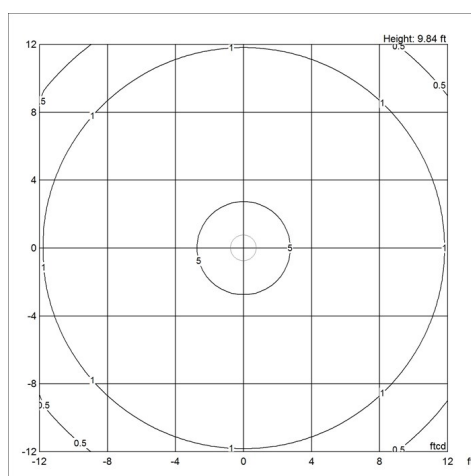


Light distribution diagrams

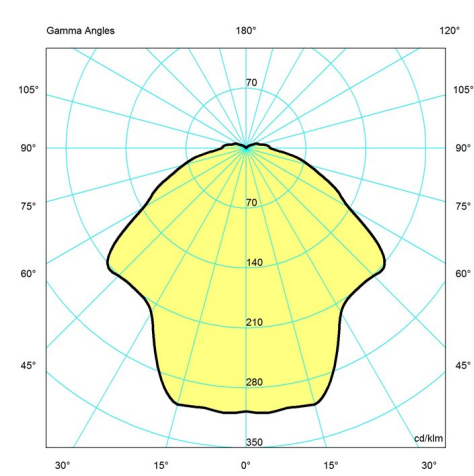
Cartesian



Isolux



Polar



Spare parts & accessories

Product

BOTTOM ASSEMBLY COMPLETE PH 5-4½

Variant number

5741481815

Data specifications

Colour	White	Length	18.3
Width	18.3	Height	12.5
Built-in Height	-	IP class	20
Class	-	Net Weight	5.4
Standby (W)	-	Power Factor (P = 100 % / P = 50 %)	-
Inrush Current	-	Light source	LED 3000K

Kelvin	3000
SDCM	3
Watt	44
Light control	Dim 0-10v
UGR Transversal / Axial	16.7/16.7
Driver life	-

CRI	90
Lumen	1755
Efficacy	40
Min. Dim Level (%)	10
L80B50 (hours)	-

PH 5-4½ & PH 6½-6

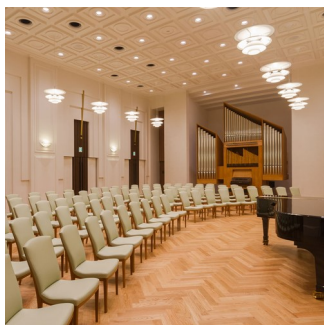
PHC-P / 5-4½ / LED 3000K / 120V / White / White textile / - / Phase dimming (mains dimm) / 10000149868

The trumpet-shaped top shade provides illumination of the area above the three lower shades, which primarily direct the light downwards. A base reflector and a blue glare ring protect against glare from all angles. The strongest light is directly under the fixture. The shades have a matte white painted finish to ensure very comfortable lighting.



Poul Henningsen

Poul Henningsen was born in Copenhagen by the famous Danish writer Agnes Henningsen. He never graduated as an architect, but studied at The Technical School at Frederiksberg, Denmark from 1911-14, and then at Technical College in Copenhagen from 1914-17.



Musashino Academia Musicae



Statsministeriet

Product info

Information

Electrical: System Wattage: 22 W - 96 W LED Wattage: 20 W - 94 W Delivered lumens: 1,645 - 4,420 Efficacy: 46.0 - 74.7 lm/W Certifications: cULus, Damp Location Protection class IP20 Controllability: Phase dimming or 0-10V dimming. Color Rendering: Ra≥90 for LED variants.

Mounting

Suspension type: 1x stainless steel aircraft cable (PH 6½-6). Canopy: White. Cord type: 3-conductor, 18 AWG white PVC power cord. Cord length: 12'.

Finish

White.

Materials

Shades: Spun aluminum. Struts: Rolled aluminum.

Sizes and weight

Width x Height x Length (in.) | 18.3 x 12.5 x 18.3 Max 5.4 lbs | 25.6 x 16.4 x 25.6 Max 19.1 lbs

Compliance

cULus, Damp location.

Specification notes

a. 5-4½ available in 1/22W/A-21/120V or 44W LED. b. 5-4½ available in 44W LED variants available with mains dimming at 120V or 0-10V dimming with 120-277V. c. 6½-6 available only in 97W LED with 0-10V dimming with 120-277V.

Light source

LED 3000K
Lumen: 1755

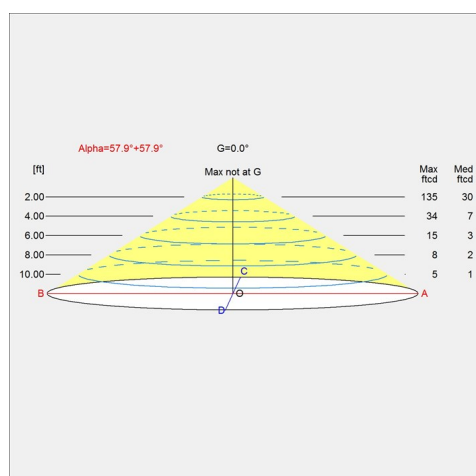
Information

Electrical:
System Wattage: 22 W - 96 W
LED Wattage: 20 W - 94 W
Delivered lumens: 1,645 - 4,420
Efficacy: 46.0 - 74.7 lm/W
Certifications:
cULus, Damp Location
Protection class IP20
Controllability: Phase dimming or 0-10V dimming.
Color Rendering: Ra≥90 for LED variants.

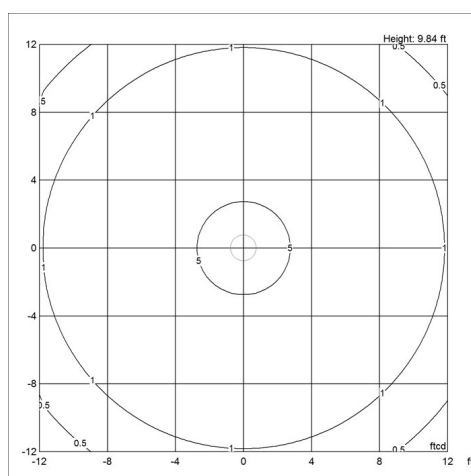


Light distribution diagrams

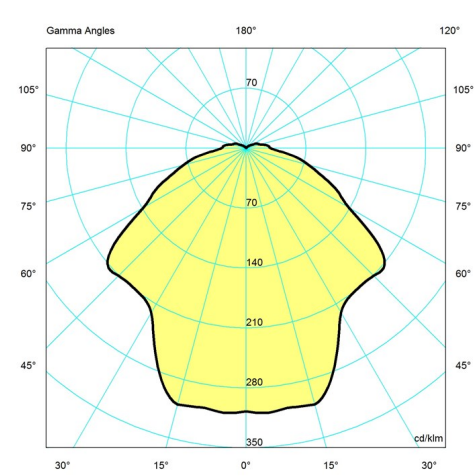
Cartesian



Isolux



Polar



Spare parts & accessories

Product

BOTTOM ASSEMBLY COMPLETE PH 5-4½

Variant number

5741481815

Data specifications

Colour	White	Length	18.3
Width	18.3	Height	12.5
Built-in Height	-	IP class	20
Class	-	Net Weight	5.4
Standby (W)	-	Power Factor (P = 100 % / P = 50 %)	-
Inrush Current	-	Light source	LED 3000K

Kelvin	3000
--------	-------------

SDCM	3
------	----------

Watt	44
------	-----------

Light control	Phase dimming (mains dimm)
---------------	-----------------------------------

UGR Transversal / Axial	16.7/16.7
-------------------------	------------------

Driver life	-
-------------	---

CRI	90
-----	-----------

Lumen	1755
-------	-------------

Efficacy	40
----------	-----------

Min. Dim Level (%)	10
--------------------	-----------

L80B50 (hours)	-
----------------	---
