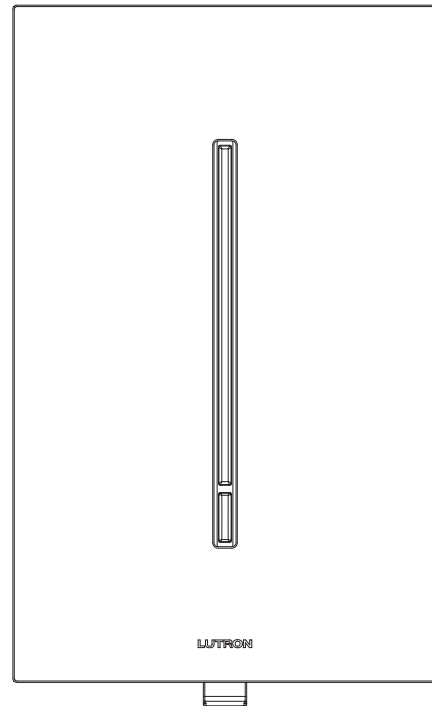


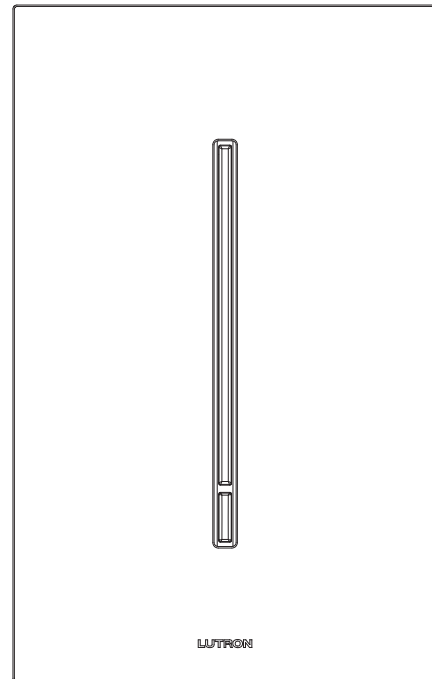
GRAFIK T™ Controls

Features

- Controls include dimmers, switches, and companion device.
- Simple touch control.
- Distinctive architectural aesthetic.
- Softly lit white LEDs indicate light level and coordinate with any décor.
- Models available with or without Clear Connect® RF wireless technology
- Clear Connect® technology (GTJ models only) compatible with:
 - Pico® wireless controls
 - Radio Powr Savr™ Occupancy/Vacancy Sensors
 - Radio Powr Savr™ Daylight Sensors
- Advanced microprocessor dimming technology for control of dimmable LED lamps.¹
- Low-end and high-end trim are available for improved LED dimming performance (dimmer only).
- Optional neutral connection available on 250 W LED models for superior LED dimming performance (dimmer only).²
- Installs in single-pole or multi-location applications. Companion devices are available for multi-location control with dimmers and switches (maximum 4 companion devices per dimmer or switch, 1 main control per circuit).
- Use Lutron® GRAFIK T™ wallplates. All controls come with white wallplate. Other colors and finishes are sold separately. See the **Colors and Finishes** on page 12 for details.
- Lutron® GRAFIK T™ wallplates snap on with no visible means of attachment.



Dimmer / Switch



Companion Device

¹ If using LED bulbs, they must be Lutron compatible! For compatibility and performance information, visit our website at www.lutron.com/led, which is constantly being updated.

² GRAFIK T™ switch requires neutral connection.

Job Name:	Model Numbers:
Job Number:	

Model Numbers

Dimmers	
GTJ-150-WH	Clear Connect® RF Technology 150 W Dimmable LED ¹ 600 W Incandescent / Halogen 2-wire dimmer (no neutral connection) Single-pole dimmer
GTJ-250M-WH	Clear Connect® RF Technology 250 W Dimmable LED ¹ 600 W Incandescent / Halogen 400 VA (300 W) Magnetic Low-Voltage with Halogen based lamps 3.3 A (400 VA) Dimmable Fluorescent ² 3.3 A (400 W) Hi-lume® A-Series LTE LED Driver (10 driver maximum) Neutral connection available Multi-location dimmer
GT-150-WH	150 W Dimmable LED ¹ 600 W Incandescent / Halogen 2-wire dimmer (no neutral connection) Single-pole dimmer
GT-250M-WH	250 W Dimmable LED ¹ 600 W Incandescent / Halogen 400 VA (300 W) Magnetic Low-Voltage with Halogen based lamps 3.3 A (400 VA) Dimmable Fluorescent ² 3.3 A (400 W) Hi-lume® A-Series LTE LED Driver (10 driver maximum) Neutral connection available Multi-location dimmer
Switches	
GT-5ANSM-WH ³	5 A Incandescent / Halogen / Fluorescent / LED / MLV / ELV / HID / Relay 3 A Fan 1/10 HP Motor Neutral connection required Multi-location Switch
GTJ-5ANSM-WH ³	Clear Connect® RF Technology 5 A Incandescent / Halogen / Fluorescent / LED / MLV / ELV / HID / Relay 3 A Fan 1/10 HP Motor Neutral connection required Multi-location Switch
Companion Device	
GT-AD-WH	Companion device (works with dimmer or switch)
Wallplates	
LWT-G-XXX ^{4,5}	Single gang GRAFIK T™ wallplate
LWT-GG-XXX ^{4,5}	Two gang GRAFIK T™ wallplate
LWT-GGG-XXX ^{4,5}	Three gang GRAFIK T™ wallplate
LWT-GGGG-XXX ^{4,5}	Four gang GRAFIK T™ wallplate

¹ If using LED bulbs, they must be Lutron compatible! For compatibility and performance information, visit our website at www.lutron.com/led, which is constantly being updated.

² Includes Mark X®, Tu-Wire®, and POWERSENSE®.

³ Not for use with receptacles or appliances (e.g., garbage disposals). See Application Note #109 for compatibility with dimmable receptacles.

⁴ "XXX" in the model number represents color/finish code. See **Colors and Finishes** on page 12 for details.

⁵ GRAFIK T™ controls cannot be ganged with Vierli® controls or wallplates.

Mark X is a registered trademark of Philips Electronics North America Corporation. POWERSENSE is a registered trademark of OSRAM SYLVANIA Inc.

Job Name:	Model Numbers:
Job Number:	

Specifications

Regulatory Approvals

- UL® Listed
- cUL® Listed
- NOM Certified
- FCC/IC
- IFTEL

Power

- 120 V~ 60 Hz

Typical Power Consumption

- Dimmer/Switch: 0.2 W (GTJ models),
0.1 W (GT models)
- Companion device: 0.1 W
- Test conditions: load is off

Environment

- Ambient Temperature Operating Range:
32 °F to 104 °F (0 °C to 40 °C)
- Relative humidity: 0% to 90% non-condensing
- For indoor use only.

Performance

- Power failure memory: should power be interrupted, the control will return to its previous state when power is restored.
- Tested to withstand surge voltages without damage or loss of operation, in accordance with IEEE C62.41-1991 Recommended Practice on Surge Voltages in Low-Voltage AC Power Circuits.
- Tested to withstand electrostatic discharge without damage or memory loss, in accordance with IEC 61000-4-2.
- Dimmers/Switches communicate with Pico® wireless controls or Radio Powr Savr™ sensors through Radio Frequency (RF) and must be located within 30 ft (9 m) of these devices (GTJ models only). Companion devices do not have Clear Connect® RF technology and are not required to be within a specific range of these devices.
- Uses conventional 3-way and 4-way wiring.
- Total multi-location wire length (blue wire) between all units must not exceed 150 ft (45 m).

Application Requirements

- **When using LEDs, only Lutron® approved lamps marked or rated as Dimmable can be used.**
- If using LED bulbs, they must be Lutron compatible! For compatibility and performance information, visit our website at www.lutron.com/led, which is constantly being updated.
- For a complete list of approved DIMMABLE LEDs please visit www.lutron.com/led or call 1.800.523.9466.
- Up to 10 sensors or Pico® wireless controls can be assigned to each dimmer or switch (GTJ models only).
- Sensors can be assigned to multiple dimmers or switches (GTJ models only).

Mounting

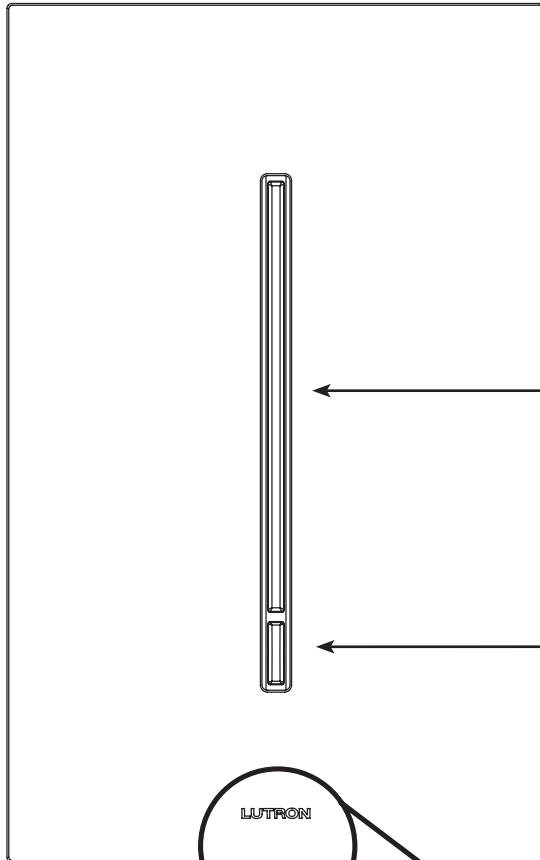
- Requires a U.S. wallbox. 3 ½ in (89 mm) deep recommended, 2 ¼ in (57 mm) deep minimum.

Warranty

- 1 Year Limited Warranty
For additional Warranty information, please visit www.lutron.com/TechnicalDocumentLibrary/369-119_Wallbox_Warranty.pdf

Job Name:	Model Numbers:
Job Number:	

Operation

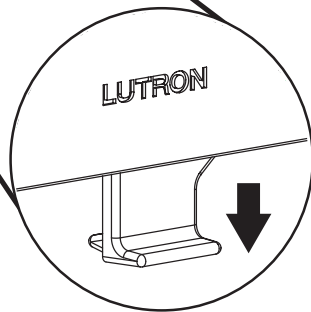
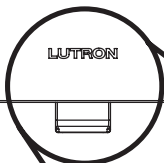


Adjust

- Touch to set lights to desired level (dimmer only)
- Slide to adjust light level (dimmer only)
- Touch anywhere to toggle load On/Off (switch only)

Toggle

- Touch to turn off or to turn on to previous light level
- When On, press and hold to engage the delayed long fade to Off (dimmer only)
- Toggle button is white when On, orange when Off



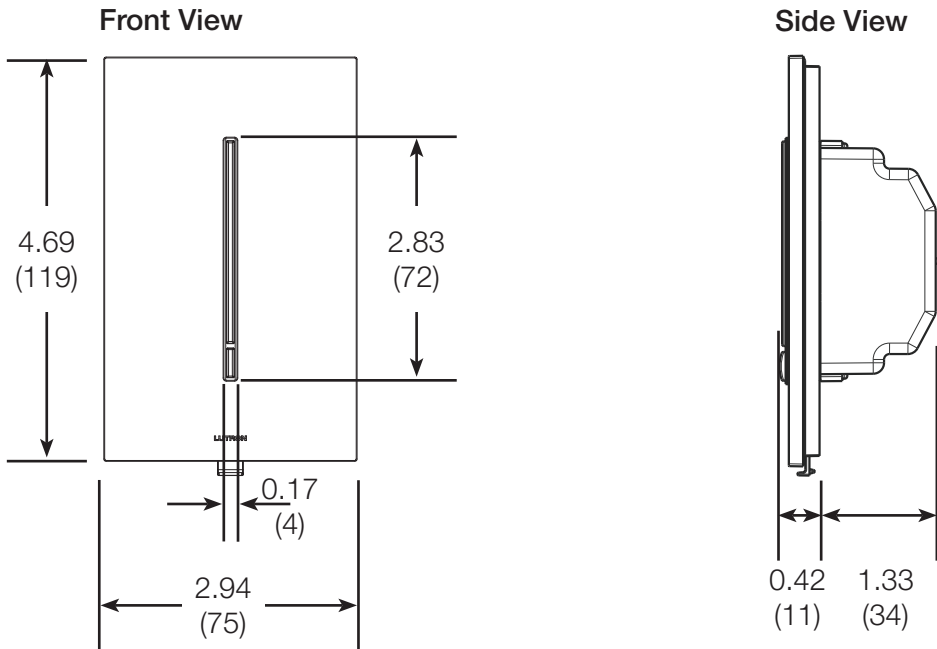
FASS™
 Front Accessible
 Service Switch
Note: The FASS™ is not available on companion devices.

IMPORTANT NOTICE:
FASS™ - Front Accessible Service Switch
 To replace lamp(s), remove power by pulling the FASS™ down fully on all main controlling devices. After replacing lamp(s), push the FASS™ back up fully to restore power to the control(s).

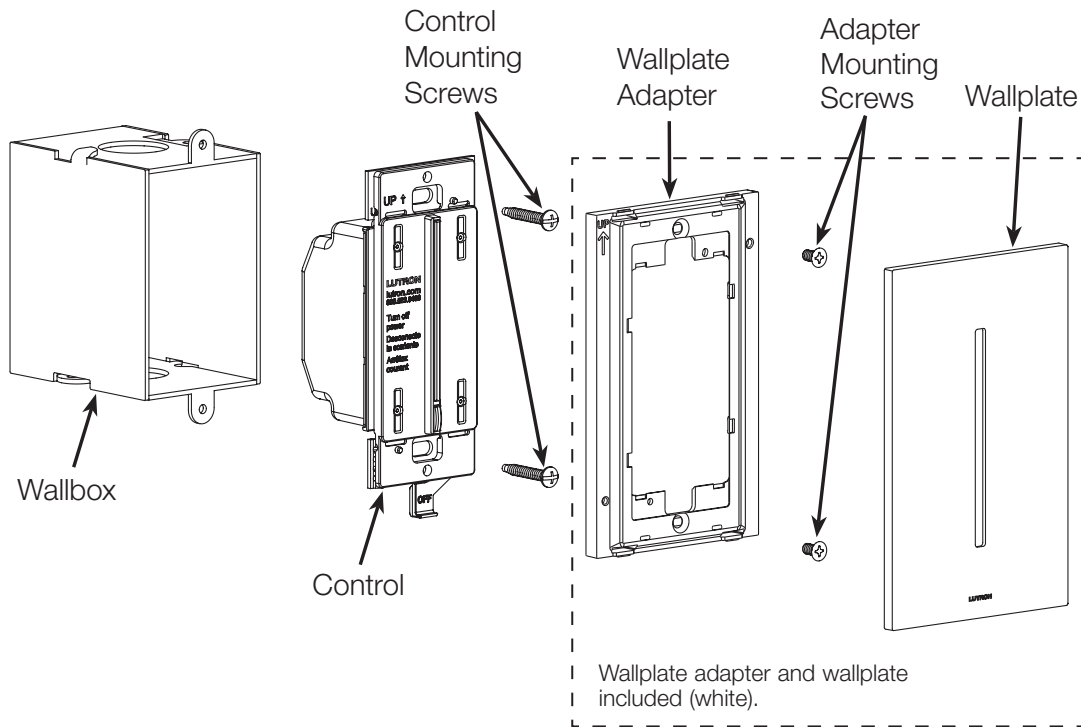
Job Name:	Model Numbers:
Job Number:	

Dimensions

All dimensions are shown as $\frac{\text{in}}{(\text{mm})}$



Mounting and Parts Identification



Job Name:	Model Numbers:
Job Number:	

Ganging and Derating

When combining controls in the same wallbox, derating is required. See **Load Type and Capacity**. No derating is required for companion devices.

Load Type and Capacity

Control	Load Type	Not Ganged	End of Gang	Middle of Gang	Neutral Connection
GT-150-WH ¹ GTJ-150-WH ¹	LED	150 W	150 W	150 W	No
	Incandescent / Halogen	600 W	500 W	400 W	
GT-250M-WH ^{2,3} GTJ-250M-WH ^{2,3}	LED	250 W	250 W	250 W	Optional
	Incandescent / Halogen	600 W	500 W	400 W	
	MLV Halogen ^{4,5}	400 VA (300 W)	400 VA (300 W)	400 VA (300 W)	
	Dimmable Fluorescent ⁶	3.3 A (400 VA)	3.3 A (400 VA)	3.3 A (400 VA)	Required
Lutron® Hi-lume® A-Series LTE LED Driver	3.3 A (400 W), 10 drivers max	3.3 A (400 W), 10 drivers max	3.3 A (400 W), 10 drivers max		
GT-5ANSM-WH ^{3,7} GTJ-5ANSM-WH ^{3,7}	Lighting	5 A (600 W)	4.1 A (500 W)	3.3 A (400 W)	Required
	Fan	3 A (360 W)	3 A (360 W)	3 A (360 W)	
	Motor	1/10 HP	1/10 HP	1/10 HP	
	Mixed	3 A (360 W)	3 A (360 W)	3 A (360 W)	

¹ Designed for use with permanently installed LED, incandescent, or tungsten halogen only.

² Designed for use with permanently installed LED, incandescent, tungsten halogen, or magnetic low voltage transformers with halogen based lamps.

³ Power Boosters / Load Interfaces: Can be used to control power boosters / load interfaces. For a list of compatible power boosters / load interfaces see **Compatible Power Boosters and Load Interfaces**. Switches and -250M models only, neutral connection required.

⁴ Low-Voltage Applications: Use only with magnetic (core and coil) low-voltage transformers with halogen based lamps. Not recommended for use with electronic (solid-state) low-voltage transformers but UL® listed for dimmable ELV transformers. Operation of a low-voltage circuit with lamps inoperative or removed may result in transformer overheating and premature failure. Lutron strongly recommends the following:

- Do not operate low-voltage circuits without operative lamps in place.
- Replace burned-out lamps as soon as possible.
- Use transformers that incorporate thermal protection or fused transformer primary windings to prevent transformer failure due to overcurrent.

⁵ When using the dimmer / switch to control MLV halogen fixtures, the maximum lamp wattage is determined by the efficiency of the transformer, with 70%–85% as typical. For actual transformer efficiency, contact either the fixture or transformer manufacturer. The total VA rating of the transformer(s) shall not exceed the VA rating of the dimmer / switch.

⁶ Includes Mark X®, Tu-Wire®, and POWERSENSE®.

⁷ Not for use with receptacles or appliances (e.g., garbage disposals). See Application Note #109 for compatibility with dimmed receptacles.

Mark X is a registered trademark of Philips Electronics North America Corporation.

POWERSSENSE is a registered trademark of OSRAM SYLVANIA Inc.

LUTRON® SPECIFICATION SUBMITTAL

Page

Job Name:	Model Numbers:
Job Number:	

Minimum Load

Dimmer

Application	Number of Companion Devices	LED ¹		Incandescent/ Halogen		MLV Halogen	
		With Neutral Connected	With Neutral Disconnected	With Neutral Connected	With Neutral Disconnected	With Neutral Connected	With Neutral Disconnected
Single Pole	0	1 LED lamp ²	2 LED lamps ²	5 W	40 W	40 W	40 W
Multi-location	1	1 LED lamp ²	3 LED lamps ²	5 W	80 W	40 W	80 W
Multi-location	2	1 LED lamp ²	4 LED lamps ²	5 W	120 W	40 W	120 W
Multi-location	3	1 LED lamp ²	5 LED lamps ²	5 W	160 W	40 W	160 W
Multi-location	4	1 LED lamp ²	6 LED lamps ²	5 W	200 W	40 W	200 W

Switch

Minimum load for the switch is 5 W, one Lutron compatible LED replacement lamp, or one A-Series LED driver.

Compatible Power Boosters and Load Interfaces

Some local controls can be used to control power boosters or load interfaces. Up to three power boosters or load interfaces can be used with one control. See table below for a list of controls and compatible power boosters and load interfaces. When controlling power boosters/load interfaces, the neutral must be connected.

Control	Phase Adaptive Power Modules (PHPM-PA-120-WH & PHPM-PA-DV-WH) ³	3-wire Fluorescent Power Modules (PHPM-3F-120-WH & PHPM-3F-DV-WH) ⁴	Switched Power Module (PHPM-SW-DV-WH) ⁵	0-10 V Interface and Switching Module (GRX-TVI) ⁶
GT-250M GTJ-250M	✓	✓		✓
GT-5ANSM GTJ-5ANSM			✓	

¹ Includes Lutron compatible LED replacement lamps and A-Series LED drivers.

² If using LED bulbs, they must be Lutron compatible! For compatibility and performance information, visit our website at www.lutron.com/led, which is constantly being updated.

³ See Lutron® P/N 369356 for wiring diagrams.

⁴ See Lutron® P/N 369355 for wiring diagrams.

⁵ See Lutron® P/N 369357 for wiring diagrams.

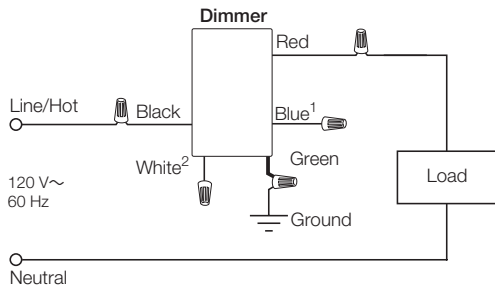
⁶ See Lutron® P/N 369247 for wiring diagrams.

Job Name:	Model Numbers:
Job Number:	

Wiring Diagrams

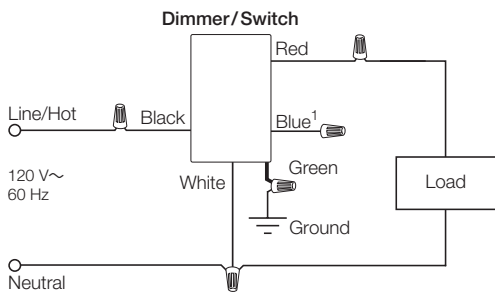
Wiring Diagram 1

Single Location Installation without Neutral^{1,2}
GT-150, GTJ-150, GT-250M, or GTJ-250M only



Wiring Diagram 2

Single Location Installation with Neutral¹
GT-250M, GTJ-250M, GT-5ANSM, or GTJ-5ANSM



¹ When using controls in single location installations, cap off the blue wire. **Do not** connect the blue wire to any other wiring or to ground (-5ANSM and -250M models only).

² When neutral wire connection is unavailable, cap off the white wire. **Do not** connect the white wire to any other wiring or to ground (-250M models only).

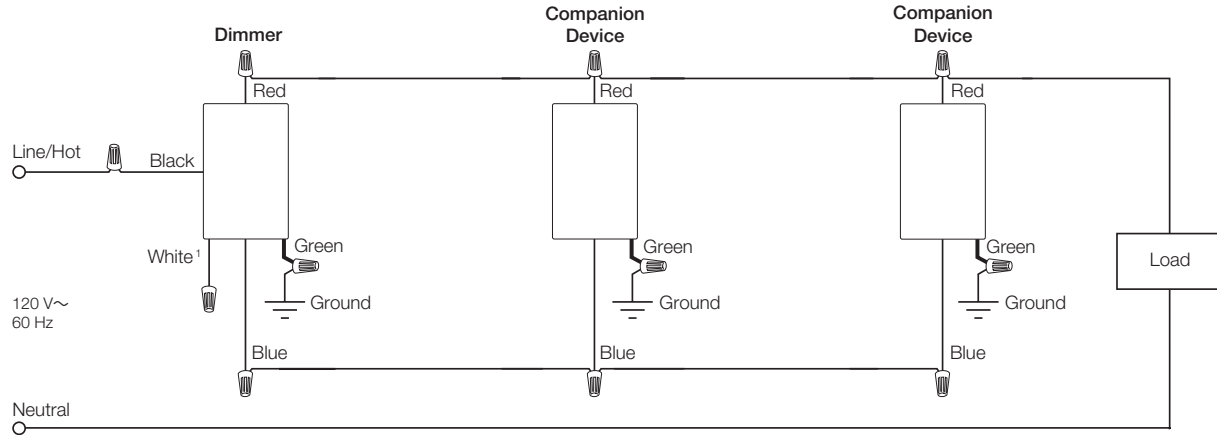
Continued on next page...

<p>Job Name:</p> <p>Job Number:</p>	<p>Model Numbers:</p>
--	------------------------------

Wiring Diagrams (continued)

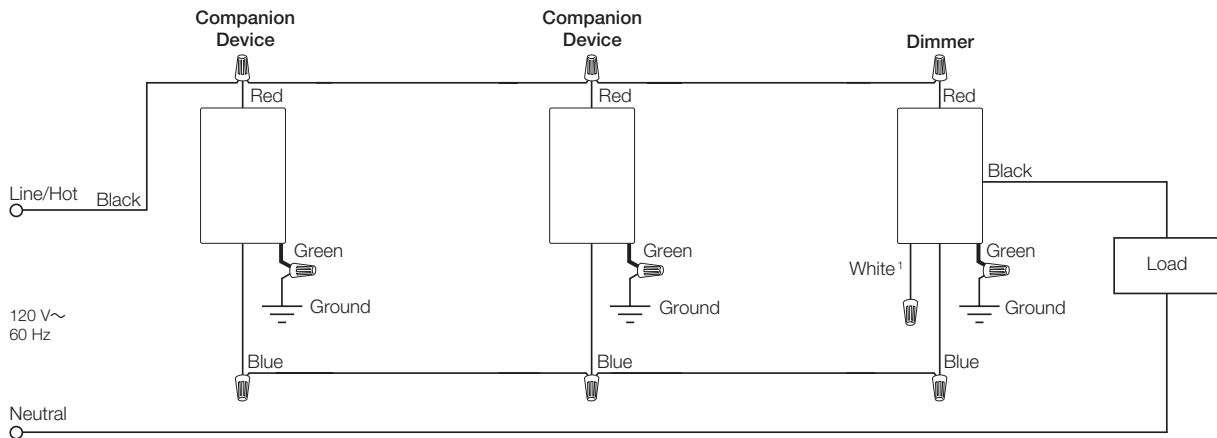
Wiring Diagram 3

Multi-Location Installation without Neutral^{1,2,3} - Dimmer Line Side
GT-250M or GTJ-250M with GT-AD



Wiring Diagram 4

Multi-Location Installation without Neutral^{1,2,3} - Dimmer Load Side
GT-250M or GTJ-250M with GT-AD



- ¹ When neutral wire connection is unavailable, cap off the white wire. **Do not** connect the white wire to any other wiring or to ground.
- ² Up to 4 companion devices may be connected to each dimmer. Total blue traveler wire length may be up to 150 ft (45 m).
- ³ Dimmers may be connected on the Line side or Load side of a multi-location installation if neutral is not connected. The dimmer cannot be installed in the middle location of a 4-way installation.

Continued on next page...

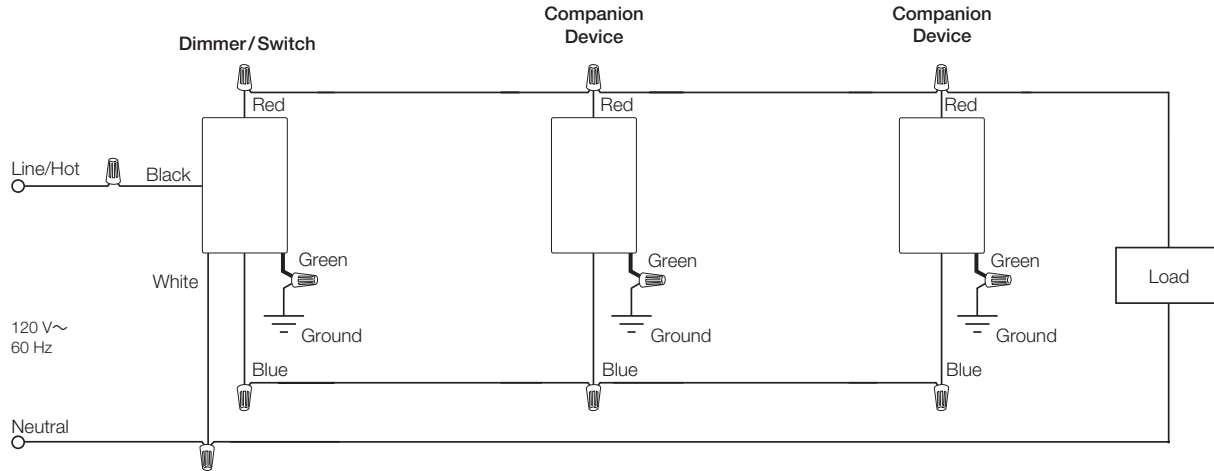
Job Name:	Model Numbers:
Job Number:	

Wiring Diagrams (continued)

Wiring Diagram 5

Multi-Location Installation with Neutral^{1,2} - Control Line Side

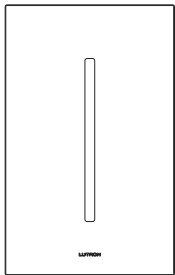
GT-250M, GTJ-250M, GT-5ANSM, or GTJ-5ANSM with GT-AD



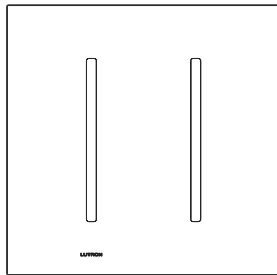
- 1 Up to 4 companion devices may be connected to each dimmer or switch. Total blue traveler wire length may be up to 150 ft (45 m).
- 2 Control must be installed on line side of circuit if using neutral wire.

Job Name:	Model Numbers:
Job Number:	

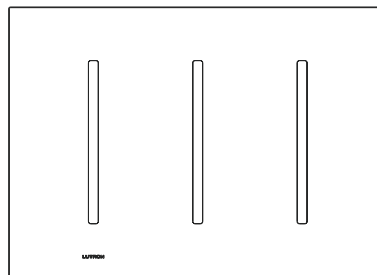
GRAFIK T™ Wallplates



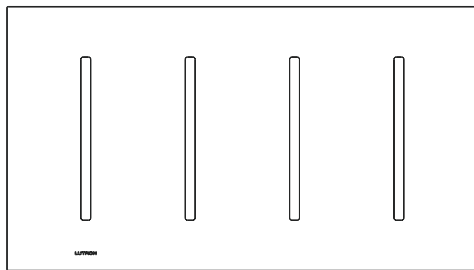
LWT-G-XXX¹
(1 Gang)



LWT-GG-XXX¹
(2 Gang)



LWT-GGG-XXX¹
(3 Gang)



LWT-GGGG-XXX¹
(4 Gang)

¹ "XXX" in the model number represents color/finish code. See the **Colors and Finishes** on page 12 for details.

Job Name: Job Number:	Model Numbers:
------------------------------	----------------

Colors and Finishes

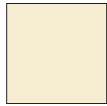
Architectural Matte Finishes



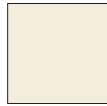
White
WH



Ivory
IV



Almond
AL



Light Almond
LA



Gray
GR



Taupe
TP



Beige
BE



Brown
BR



Black
BL



Sienna
SI

Satin Finishes



Hot
HT



Merlot
MR



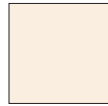
Plum
PL



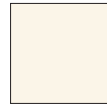
Turquoise
TQ



Taupe
TP



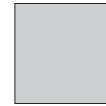
Eggshell
ES



Biscuit
BI



Snow
SW



Palladium
PD



Midnight
MN



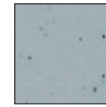
Sienna
SI



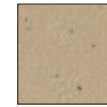
Terracotta
TC



Greenbriar
GB



Bluestone
BG



Mocha Stone
MS



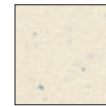
Goldstone
GS



Desert Stone
DS



Stone
ST



Limestone
LS

Glass Finish

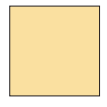


Clear Glass
CWH

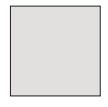
Architectural Metal Finishes



Satin Brass
SB



Bright Brass
BB



Bright Chrome
BC



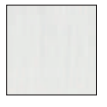
Antique Brass
QB



Antique Bronze
QZ



Satin Chrome
SC



Clear Anodized
Aluminum
CLA



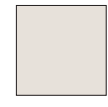
Black Anodized
Aluminum
BLA



Brass Anodized
Aluminum
BRA



Satin Nickel
SN



Bright Nickel
BN

- Due to printing limitations, colors and finishes shown cannot be guaranteed to perfectly match actual product colors.
- Color chip keychains are available for more precise color matching:
Architectural Matte Finishes: AM-CK-1 | Architectural Metal Finishes: AMTL-CK-1 | Satin Color Finishes: SC-CK-1

Job Name:	Model Numbers:
Job Number:	