

Lutron® Tamper Resistant Receptacles and Plug for Dimming use

Tamper resistant receptacles, unlike traditional receptacles, offer the added protection of a permanently installed, spring-loaded slider mechanism capable of resisting insertion of single pronged elements (such as keys, hairpins, or nails) while still allowing access to electrical plugs. *Lutron* Tamper Resistant Receptacles are compliant with article 406.11 of the 2008 National Electric Code (NEC®).

The *NEC* prohibits the dimming of standard receptacles. The dimmable outlets of the Dual Dimming Tamper Resistant (DDTR) and Half Dimming Tamper Resistant (HDTR) are specifically designed to mechanically reject all NEMA standard plugs and thus can not be used for any other device (fan, heater, vacuum, radio, etc.). These receptacles will only accept the special mating *Lutron* replacement plug for dimming use (RP-FDU). The result is an *NEC* compliant way to control a portable lamp with a dimmer.

15 Amp Tamper Resistant Receptacles

(xx in model number represents color/finish code.)

Model	Rating
CAR-15-DDTR-XX	15 A 125 V~ 60 Hz
CAR-15-HDTR-XX	15 A 125 V~ 60 Hz
SCR-15-DDTR-XX	15 A 125 V~ 60 Hz
SCR-15-HDTR-XX	15 A 125 V~ 60 Hz
* NTR-15-DDTR-XX	15 A 125 V~ 60 Hz
* NTR-15-HDTR-XX	15 A 125 V~ 60 Hz

20 Amp Tamper Resistant Receptacles

(xx in model number represents color/finish code.)

Model	Rating
CAR-20-DDTR-XX	20 A 125 V~ 60 Hz
CAR-20-HDTR-XX	20 A 125 V~ 60 Hz
SCR-20-DDTR-XX	20 A 125 V~ 60 Hz
SCR-20-HDTR-XX	20 A 125 V~ 60 Hz
* NTR-20-DDTR-XX	20 A 125 V~ 60 Hz
* NTR-20-HDTR-XX	20 A 125 V~ 60 Hz

Replacement Plug for Dimming Use

Model	Rating
** RP-FDU-10-XX	10 A 125 V~ 60 Hz

Key Design Features:

- Features on receptacle(s) for dimming use reject standard plugs
- Uses standard switched receptacle wiring (HDTR requires two separate live/hot feeds)

* **NOVA T★** receptacles ship with wallplate ** Replacement plug available in White (WH) or Brown (BR) only



(CAR-20-DDTR-WH Shown)



(RP-FDU-10-WH Shown)

- Permanently installed internal tamper resistant shutter mechanism capable of resisting insertion of foreign elements into the device
- Specification grade construction
- Back wire installation capable
- Receptacle face compatible with NEMA designer and Nova T★ opening wallplates *
- Plug may be used with standard receptacles and with new receptacles designed for dimming use
- Plug is compatible with 18 AWG (0.75 mm²) SPT-2 lamp cords
- Plug uses split-shell design for easy wiring and the ability to control cord exit direction
- Compliant with article 406.11 of the 2008 National Electric Code (*NEC*)

Job Name:	Model Numbers:
Job Number:	

Specifications

Standards

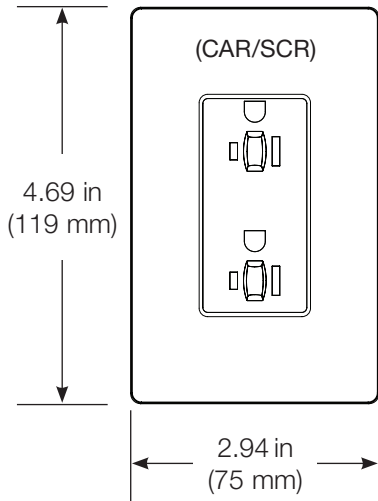
- UL Listed
- CSA Certified
- NOM Certified

Warranty

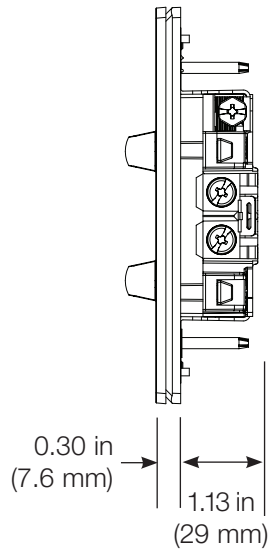
- One-Year Limited Warranty

Dimensions

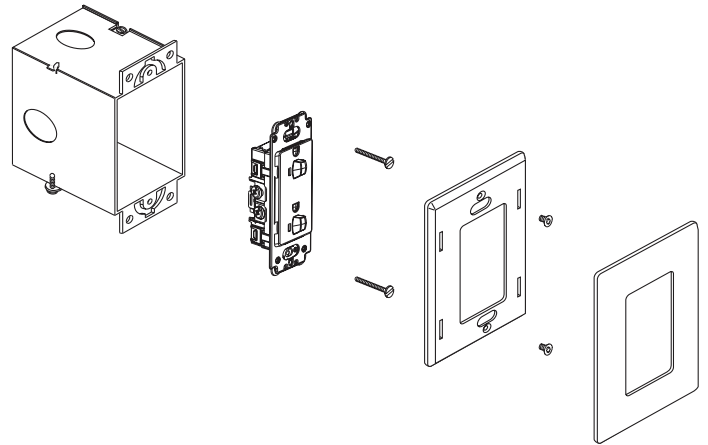
Front View



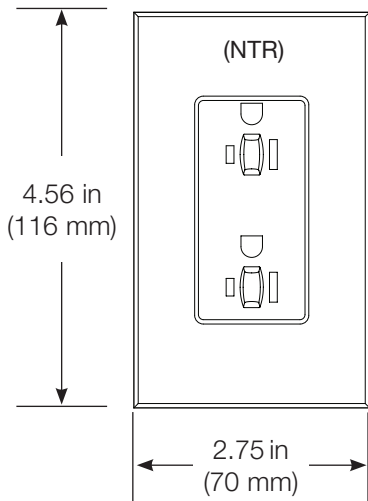
Side View



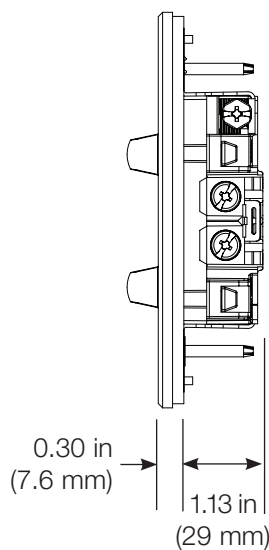
Mounting



Front View



Side View



Job Name:

Model Numbers:

Job Number:

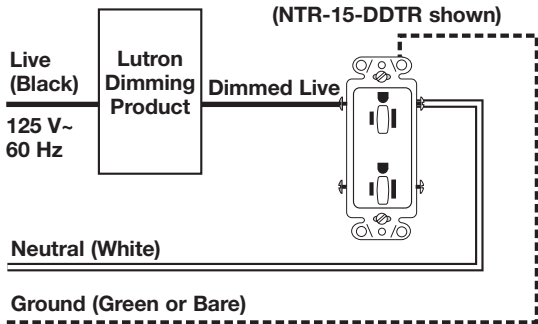
Wiring Diagrams

Wiring Notes:

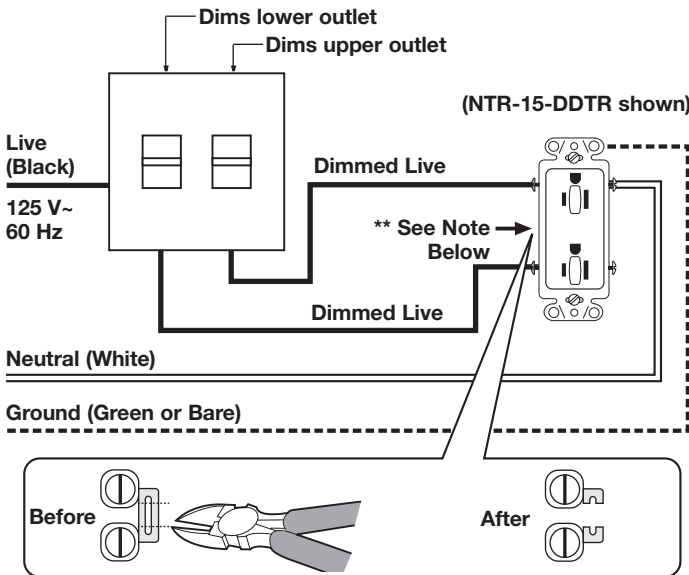
1. Wire terminals accept 10, 12 or 14 AWG (6.0, 2.5 or 1.5 mm²) wire. Solid copper or copper clad wire only.
2. See device for proper strip length of wires.

Dual Dimming Tamper Resistant (DDTR)

Loads plugged into these outlets will dim together.



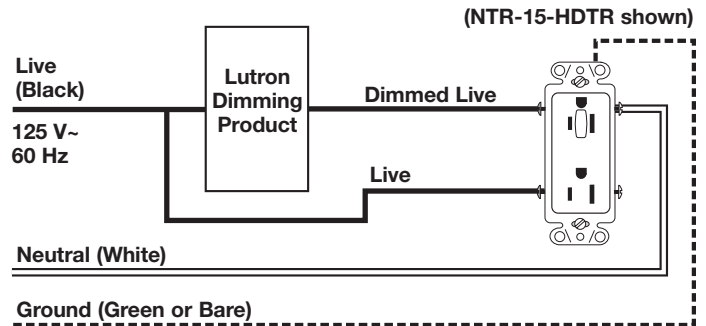
Each outlet will dim independently.



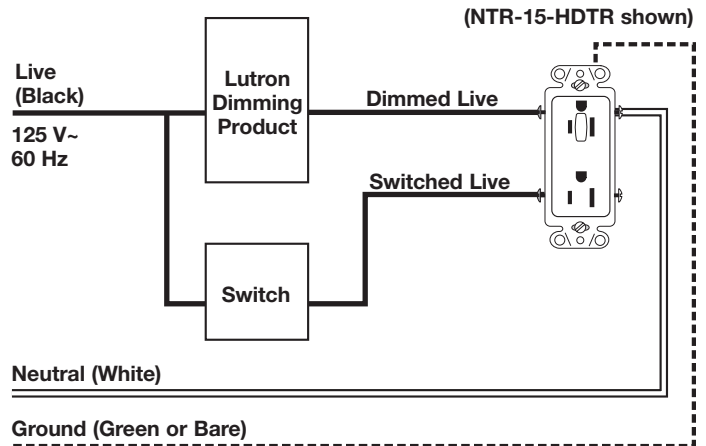
**** NOTE:** To control each outlet of the receptacle independently, cut off the connecting link between the brass screws with a wire cutter.

Half Dimming Tamper Resistant (HDTR)

Top outlet will dim and bottom outlet will remain live.



Top outlet will dim and bottom outlet is controlled by a switch.



Job Name:	Model Numbers:
Job Number:	

Colors and Finishes (xx in the model number represents color/finish code)

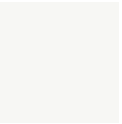
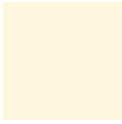

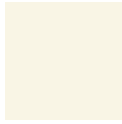
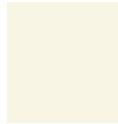




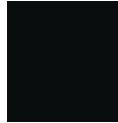
Satin Finishes

			
Hot HT	Merlot MR	Plum PL	Turquoise TQ
			
Taupe TP	Eggshell ES	Biscuit BI	Snow SW
			
Palladium PD	Midnight MN	Sienna SI	Terracotta TC
			
Greenbriar GB	Bluestone BG	Mocha Stone MS	Goldstone GS
			
Desert Stone DS	Stone ST	Limestone LS	Sea Glass SG

Gloss Finishes

	
White WH	Ivory IV
	
Almond AL	Light Almond LA
	
Gray GR	Brown BR
	
Black BL	

Architectural Matte Finishes

				
White WH	Beige BE	Ivory IV	Almond AL	Light Almond LA
				
Gray GR	Taupe TP	Sienna SI	Brown BR	Black BL

Metal Finish (wallplate only)

	When using Stainless Steel wallplates, it is recommended to order the controls in Black (BL) or Midnight (MN).
Stainless Steel SS	

Due to printing limitations, colors and finishes shown cannot be guaranteed to perfectly match actual product colors.

Job Name:	Model Numbers:
Job Number:	