

Diva 250 W LED+ Dimmer

Dimmer for dimmable LED, CFL, halogen, and incandescent bulbs.

Features

- Large paddle switch with a captive linear-slide dimmer for a standard designer wallplate opening.
- LED+ includes the most advanced technology for superior dimming of LED, CFL, halogen, and incandescent bulbs.
- UL Listed to control:
 - Dimmable LEDs
 - Dimmable compact fluorescent lamps (CFL) with integrated ballast
 - Lutron LTEA Hi-lume 1% forward-phase LED driver
 - Halogen
 - Incandescent
- Low-end adjustment to accommodate a wide range of bulbs.
- 100% factory tested.
- NEMA SSL-7A Type 2 Compliant.
- Formerly C•L.

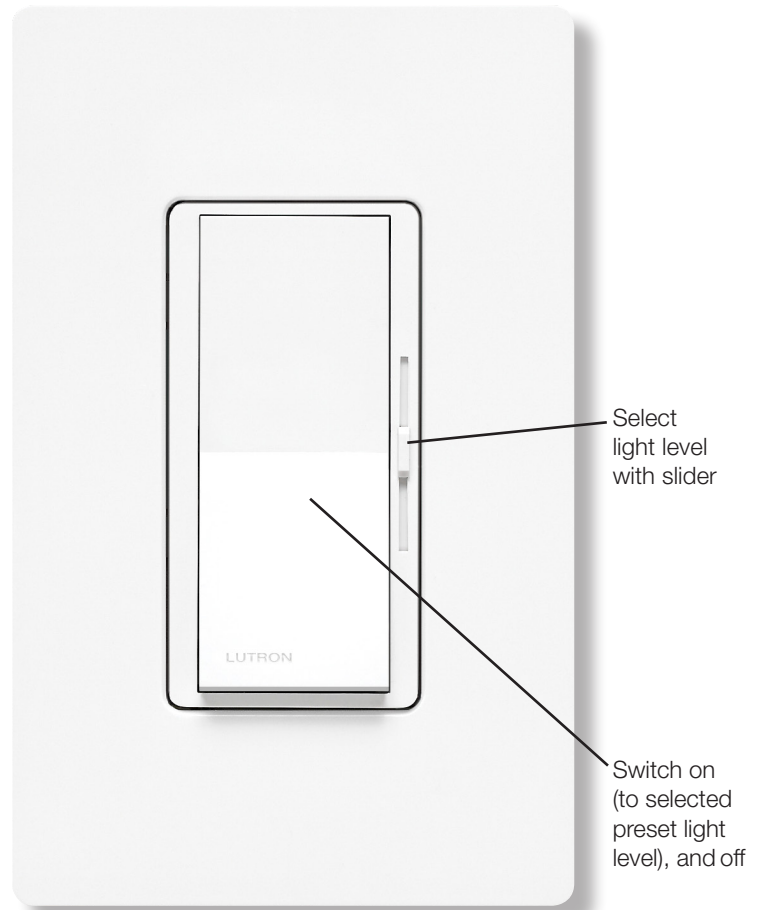
Application Requirements

- **When dimming LEDs or CFLs, only bulbs marked or rated as DIMMABLE may be used.**
- For a list of compatible DIMMABLE LEDs please visit www.lutron.com/LEDfinder
- Some DIMMABLE LEDs and CFLs require a minimum number of bulbs for proper operation. For details and a list of bulbs, please visit www.lutron.com/LEDfinder

Model Numbers

DVCL-253P-XX ^{1,2}	Gloss Finish, Single pole/3-way ³
DVCL-253PH-XX-C ⁴	Gloss Finish, Single pole/3-way ³
DVSCCL-253P-XX ¹	Satin Colors, Single pole/3-way ³

¹ "XX" in the model number represents color/finish code; see "Colors and Finishes" on Page 3.
² For clamshell packaging, add "H" after "253P". Clamshell packaged product available in IV, LA, and WH.
³ For 3-way and 4-way switching, use Claro switches or other mechanical switches.
⁴ Clamshell packaged product for Canada. Available in WH only.



* Wallplate sold separately

SPECIFICATION SUBMITTAL

Page

Job Name: Job Number:	Model Numbers:
--	-----------------------

Specifications

Regulatory Approvals

- UL Listed to US and Canadian safety requirements
UL1472/CSA C22.2 184.1
- NEMA SSL-7A Type 2

Power and Ratings

- 120 V~ 60 Hz
- 250 W dimmable LED/CFL
or
- 600 W incandescent/halogen
or
- Mixed bulb type per **Multigang and Mixed Bulb Type Ratings** table
or
- 350 W Lutron LTEA Hi-lume 1% forward-phase LED driver (maximum 8 drivers)

Environment

- For indoor use only.
- Ambient operating temperature:
32 °F to 104 °F (0 °C to 40 °C), 0% - 90% humidity

Performance

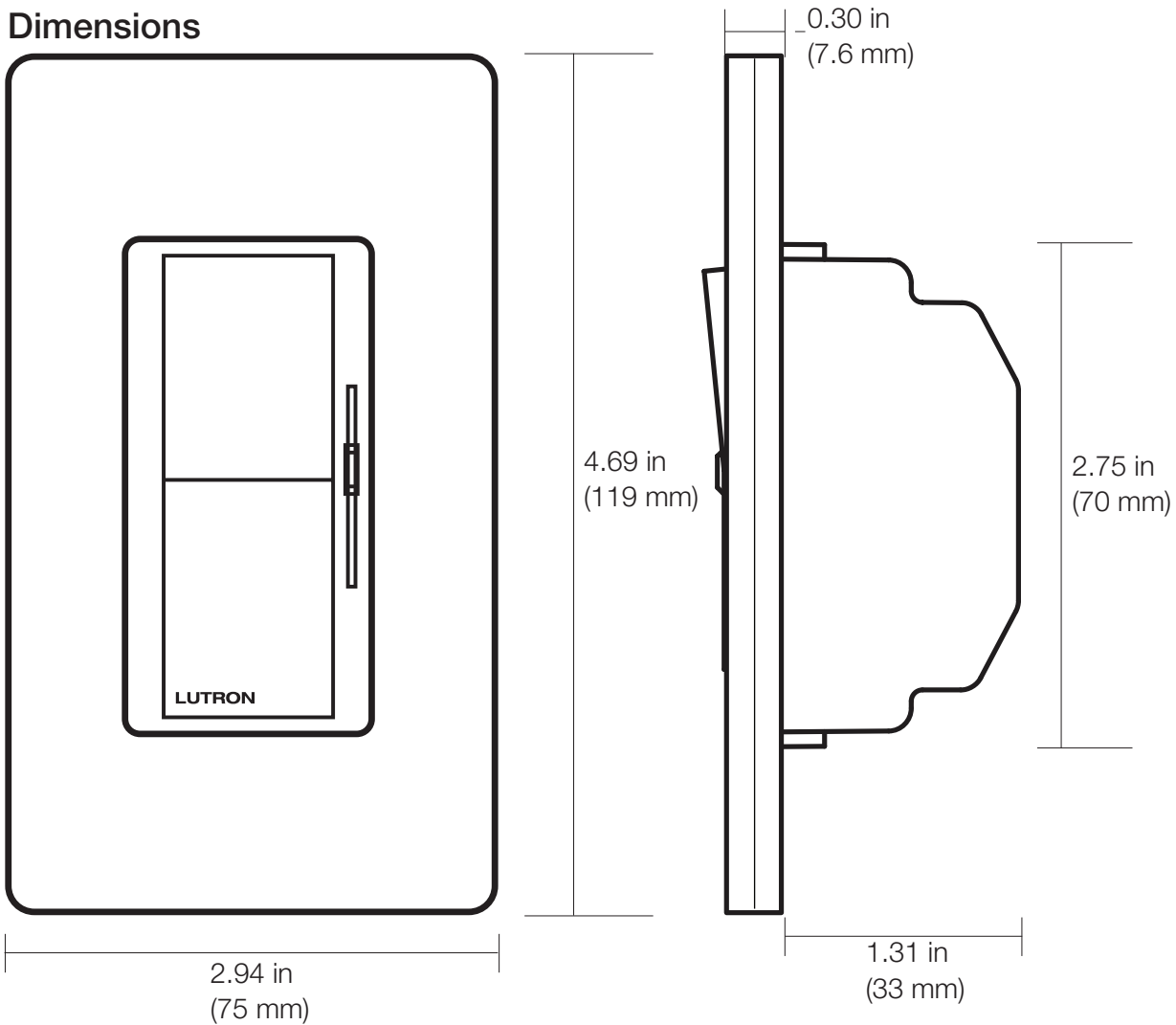
- Power failure memory: should power be interrupted, the control will return to its previously set level prior to the interruption when power is restored.
- Captive linear slider
- Tested to withstand electrostatic discharge without damage or memory loss, in accordance with IEC 61000-4-2.
- Precise color matching
- Mechanical air-gap switch to disconnect load power

Warranty

- 1 Year Limited Warranty
For additional Warranty information, please visit www.lutron.com/TechnicalDocumentLibrary/369-119_Wallbox_Warranty.pdf

<p>Job Name:</p> <p>Job Number:</p>	<p>Model Numbers:</p>
--	------------------------------

Dimensions



Note: Requires a U.S. wallbox 2½ in (64 mm) deep minimum.

Colors and Finishes

Gloss Finishes

Add color/finish code to model #

Example: DVCL-253P-WH

WH	White
IV	Ivory
AL	Almond
LA	Light Almond
GR	Gray
BR	Brown
BL	Black

Satin Colors

SW	Snow	MN	Midnight
TP	Taupe	BI	Biscuit
ES	Eggshell	PD	Palladium
HT	Hot	MR	Merlot
PL	Plum	SI	Sienna
TC	Terracotta	BG	Bluestone
GB	Green Briar	GS	Goldstone
MS	Mocha Stone	ST	Stone
DS	Desert Stone	LS	Limestone

For the latest color offerings please see our website:
<http://www.lutron.com/satincolors>

Job Name:	Model Numbers:
Job Number:	

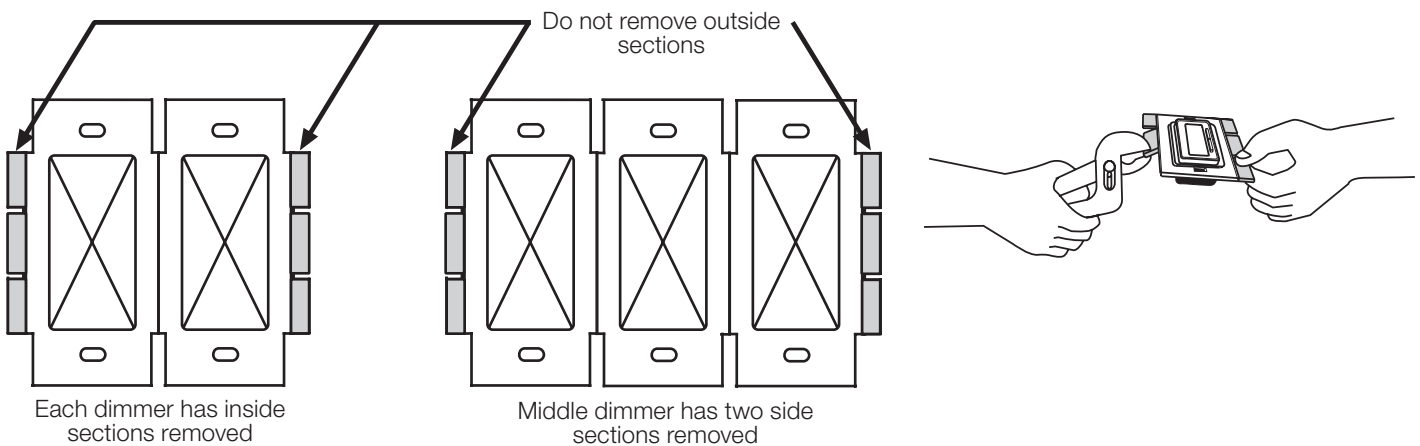
Multigang and Mixed-Bulb-Type Ratings

When installing more than one dimmer in the same wallbox, it may be necessary to remove some side sections prior to wiring (**see diagram**). Removal of dimmer side sections may reduce maximum wattage, as shown in the chart below.

Mixing bulb types (**using a combination of LED/CFL, and incandescent/halogen bulbs**) will also affect the maximum ratings, as shown in the chart below.

Note: Lutron LTEA Hi-lume 1% forward-phase LED driver loads cannot be mixed with other loads.

*EXAMPLE: If one set of side sections is removed and you have eight 9 W LED bulbs installed (Total LED Wattage = 72 W), you may add up to 300 W of incandescent or halogen lighting.

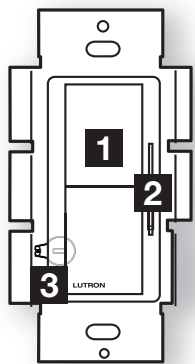


Total LED/CFL Wattage Installed (Wattage per bulb x # of bulbs)		Maximum Allowable Incandescent/Halogen Wattage		
		No sides removed	1 side removed	2 sides removed
		0 W	+	600 W
1 W – 40 W	+	500 W	400 W	300 W
41 W – 80 W	+	400 W	300 W	200 W
81 W – 120 W	+	300 W	200 W	100 W
121 W – 160 W	+	200 W	100 W	50 W
161 W – 200 W	+	100 W	50 W	0 W
201 W – 250 W	+	0 W	0 W	0 W

Note: There is no wattage reduction when controlling only LED or CFL

Job Name:	Model Numbers:
Job Number:	

Operation (View with wallplate removed)



1 Switch
Turns lights ON and OFF.

2 Slider
Controls light level.

+ ↑ Up
Increases light level

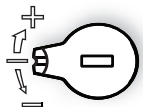
- ↓ Down
Decreases light level

IMPORTANT: Set slider to bottom before adjusting dimming range.

Lever-type Adjustment Dial

3 Adjustment lever
Sets low end dimming limit.

Up (clockwise)
Increases brightness

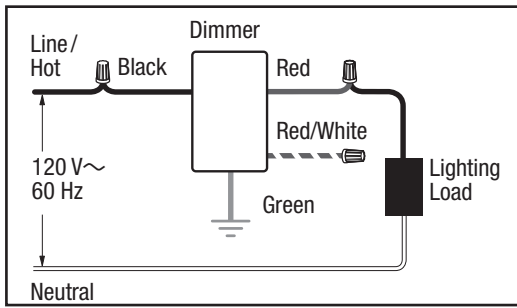


Down (counter-clockwise)
Decreases brightness

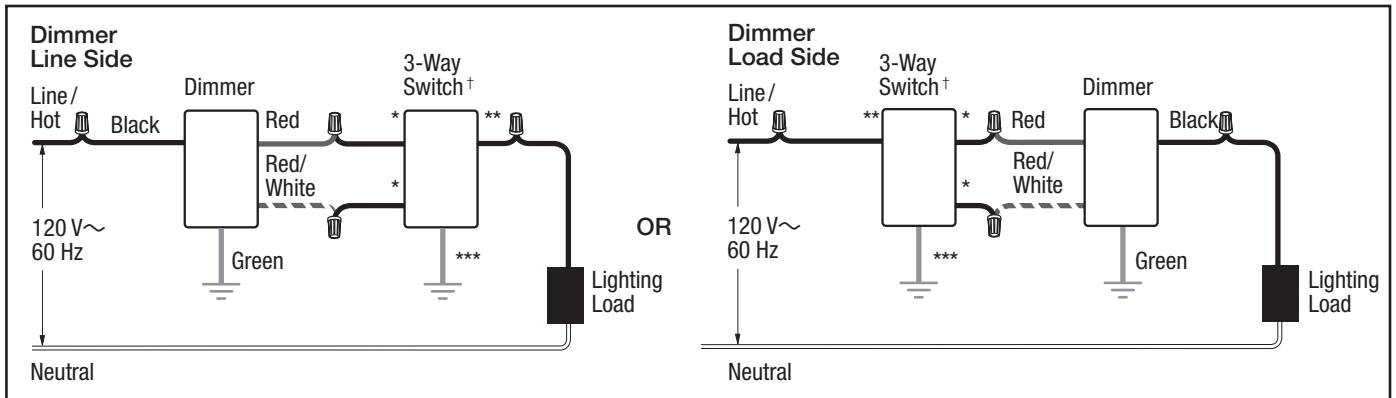
Job Name:	Model Numbers:
Job Number:	

Wiring Diagrams

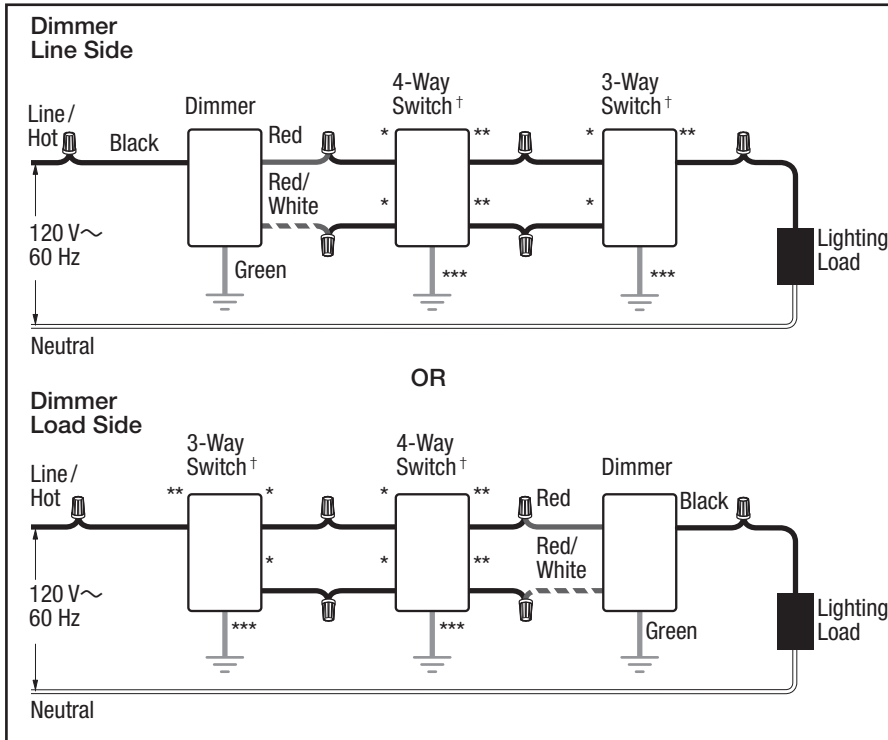
Single-Pole Wiring



3-Way Wiring



4-Way Wiring



- * Brass/Gold screw terminal
- ** Copper/Black screw terminal
- *** Green screw terminal
- † Please refer to the switch's instruction sheet for proper wiring.

Note for 4-Way Wiring:
Dimmer must be installed Line Side or Load Side. It cannot be installed in the 4-way location.

The Lutron logo, Lutron, Diva, C•L, Hi-lume, LED+, Satin Colors, and Claro are trademarks or registered trademarks of Lutron Electronics Co., Inc. in the US and/or other countries.

All other product names, logos, and brands are property of their respective owners.

Job Name:	Model Numbers:
Job Number:	