

MERIDIAN
L I T E T R E N D S

ITEM NO: M2015MBK
M2015WH

• • • CEILING FAN • • •

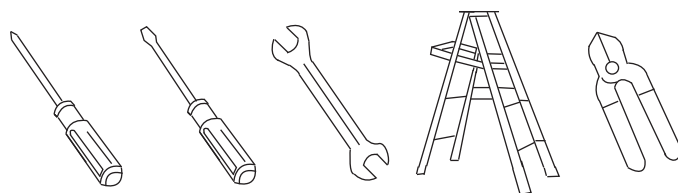
CEILING FAN OWNER'S MANUAL

READ AND SAVE THESE INSTRUCTIONS

FAN RATING AC 120V. 60Hz
UL LISTED MODEL : AC-552

1. TOOLS AND MATERIALS REQUIRED

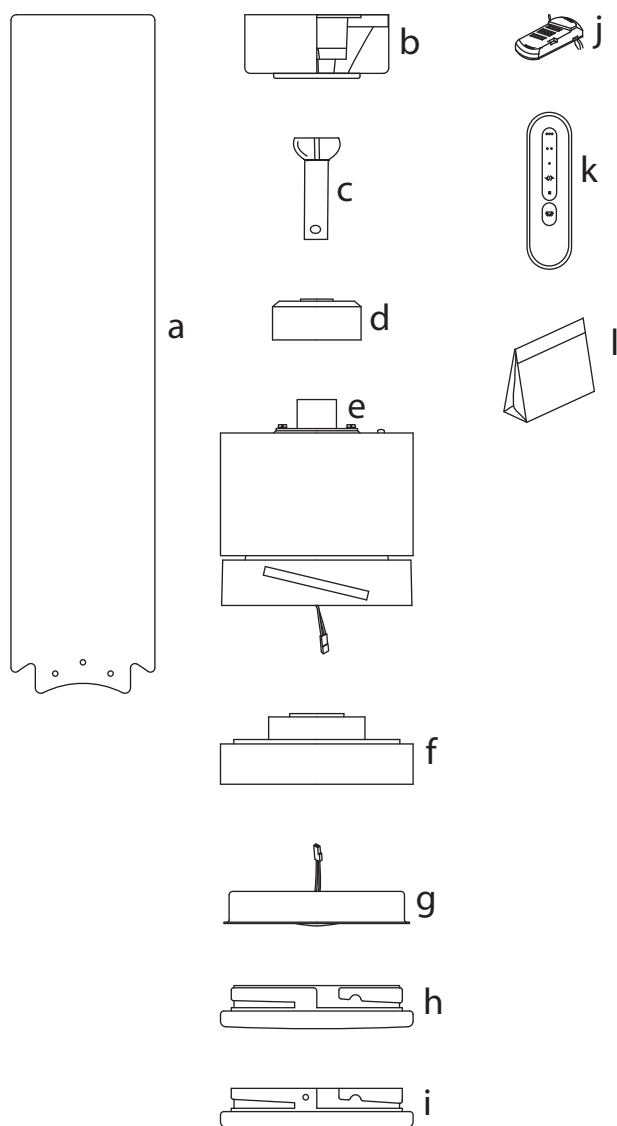
- Phillips head screwdriver
- Flat head screwdriver
- 11 mm wrench
- Step ladder
- Wire cutters



2. PACKAGE CONTENTS

Unpack your fan and check the contents. You should have the following items;

- a. Set of blades (4)
- b. Hanger bracket assembly
- c. Downrod
- d. Coupling cover
- e. Fan motor assembly
- f. Mounting plate
- g. LED Light kit
- h. Glass shade
- i. Optional switch cup cover
- j. Receiver & wire nuts (6)
- k. Remote control, holder, 2 mounting screws, 23A/12V battery
- l. Package hardware
 - 1) Mounting hardware :
 - screws (2), lock washers (2), star washers (2), wire nuts (3)
 - wood screws (2), washers (2)
 - 2) Blade attachment hardware:
 - screws (13), fiber washers (13)
 - 3) Safety cable hardware:
 - wood screw (2), lock washer (2), metal washer (2)
 - 4) Balance Kit



3. SAFETY RULES

1. To reduce the risk of electric shock, ensure electricity has been turned off at the circuit breaker or fuse box before beginning.
2. All wiring must be in accordance with the National Electrical Code and local electrical codes. Electrical installation should be performed by a qualified licensed electrician.
3. **WARNING:** To reduce the risk of electrical shock and fire, do not use this fan with any solid-state fan speed control device.
4. **WARNING:** To reduce the risk of personal injury, use only the two steel screws (and lock washers) provided with the outlet box for mounting to the outlet box. Most outlet boxes commonly used for the support of lighting fixtures are not acceptable for fan support and may need to be replaced, consult a qualified electrician if in doubt.
5. The outlet box and support structure must be securely mounted and capable of reliably supporting a minimum of 50 pounds. Use only UL Listed outlet boxes marked "**FOR FAN SUPPORT**".
6. The fan must be mounted with a minimum of 7 feet clearance from the trailing edge of the blades to the floor.
7. Do not operate reversing switch while fan blades are in motion. Fan must be turned off and blades stopped before reversing blade direction.
8. Avoid placing objects in the path of the blades.
9. To avoid personal injury or damage to the fan and other items, be cautious when working around or cleaning the fan.
10. Do not use water or detergents when cleaning the fan or fan blades. A dry dust cloth or lightly dampened cloth will be suitable for most cleaning.
11. After marking electrical connections, spliced conductors should be turned upward and pushed carefully up into outlet box. The wires should be spread apart with the grounded conductor and the equipment-grounding conductor on one side of the outlet box.
12. Electrical diagrams are only for reference. Light kit that are not packed with the fan must be UL Listed and marked suitable for use with the model fan you are installing. Switches must be UL General Use Switches. Refer to the instructions packaged with the light kits and switches for proper assembly.

WARNING

TO REDUCE THE RISK OF FIRE, ELECTRIC SHOCK OR PERSONAL INJURY, MOUNT FAN TO OUTLET BOX MARKED "**ACCEPTABLE FOR FAN SUPPORT**".

WARNING

TO REDUCE THE RISK OF PERSONAL INJURY, DO NOT BEND THE BLADE BRACKETS (ALSO REFERRED TO AS FLANGES) DURING ASSEMBLY OR AFTER INSTALLATION. DO NOT INSERT OBJECTS IN THE PATH OF THE BLADES.

4. MOUNTING OPTIONS

If there isn't an existing CUL listed mounting box, then read the following instructions. Disconnect the power by removing fuses or turning off circuit breakers.

Secure the outlet box directly to the building structure. Use appropriate fasteners and building materials. The outlet box and its support must be able to fully support the moving weight of the fan (at least 50 lbs). Do not use plastic outlet boxes.

Figures 1,2 and 3 are examples of different ways to mount the outlet box.

Note: You may need a longer downrod to maintain proper blade clearance when installing on a steep, sloped ceiling. (Fig. 3)

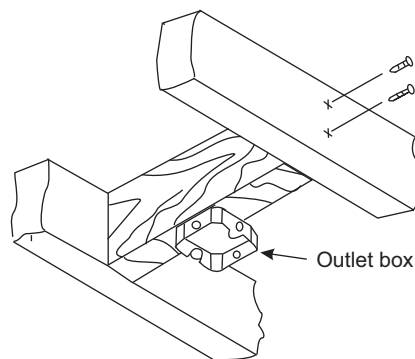


Figure 1

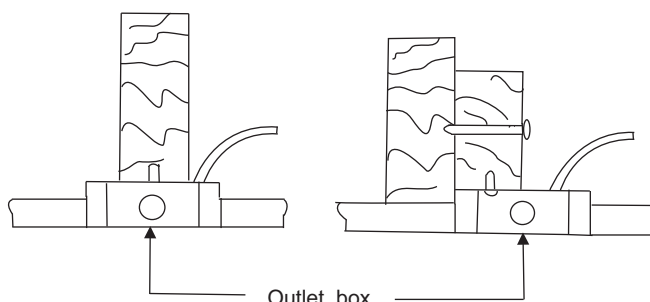


Figure 2

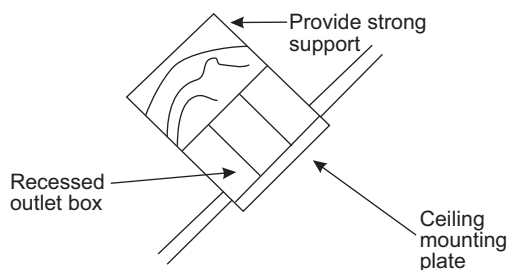


Figure 3

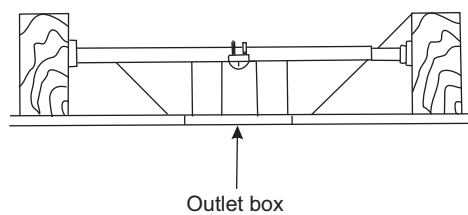


Figure 4

5. HANGING THE FAN

REMEMBER to turn off the power. Follow the steps below to hang your fan properly:

Step 1. Remove the decorative canopy bottom cover from the canopy by turning the cover counter clockwise. (Fig. 5)

Step 2. Remove the hanger bracket from the canopy by removing the 1 of 2 screws from the bottom of the hanger bracket and loosening the other one a half turn from the screw head. Next, turn the canopy counter clockwise to removing the hanger bracket from the canopy. (Fig. 5)

Step 3. Pass the 120-volt supply wires through the center hole in the ceiling hanger bracket as shown in Fig. 6.

Step 4. Secure the hanger bracket to the ceiling outlet box with the screws and washers provided with your outlet box.

Step 5. Remove the hanger pin, lock pin and set screws from the top of the motor assembly.

Step 6. Route wires exiting from the top of the fan motor through the collar cover, canopy cover, canopy and then through the ball / downrod. (Fig. 7)

Step 7. Align the holes at the bottom of the downrod with the holes in the collar on top of the motor housing (Fig.7). Carefully insert the hanger pin through the holes in the collar and downrod. Be careful not to jam the pin against the wiring inside the downrod. Insert the locking pin through the hole near the end of the hanger pin until it snaps into its locked position, as noted in the circle inset of Fig. 7.

Step 8. Tighten two set screws on top of the fan motor firmly. (Fig. 7)

Step 9. Place the downrod ball into the hanger bracket socket. (Fig. 8)

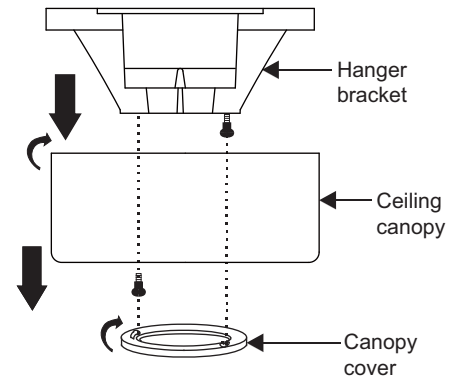


Figure 5

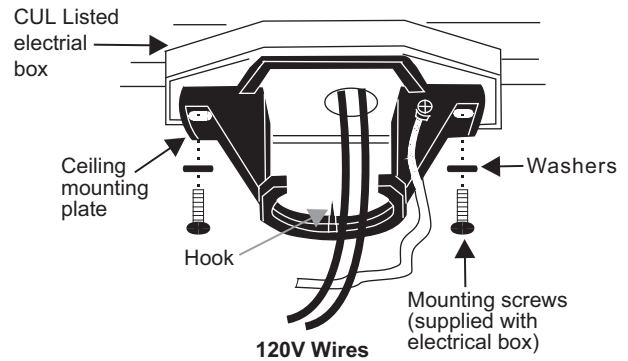


Figure 6

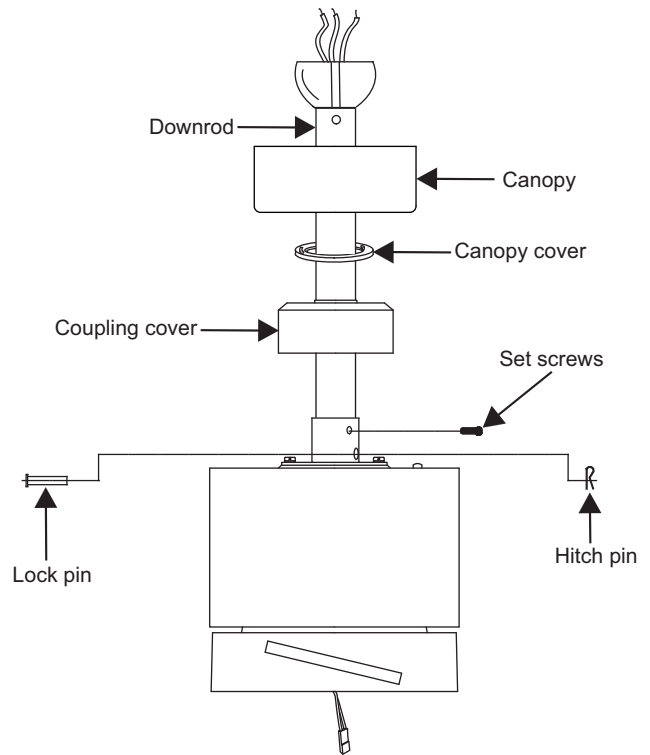


Figure 7

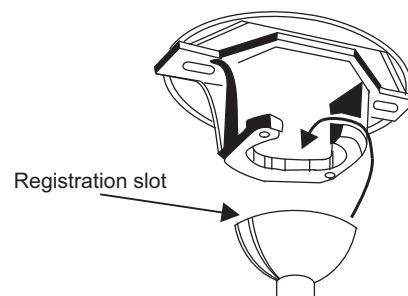


Figure 8

6. INSTALLATION OF SAFETY SUPPORT

An additional safety support is provided to prevent the fan from falling. Secure the safety cable to the ceiling joist with screw and washer, as illustrated in Figure 9.

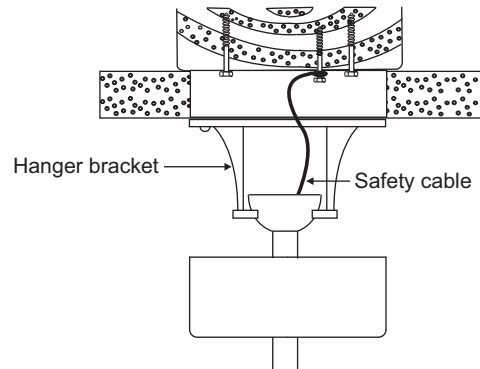


Figure 9

7. MAKE THE ELECTRIC CONNECTIONS

WARNING: To avoid possible electrical shock, be sure electricity is turned off at the main fuse box before wiring.

NOTE: This remote control unit is equipped with 16 code combinations to prevent possible interference from or to other remote units. The frequency switches on your receiver and transmitter have been preset at the factory. Please recheck to make sure the switches on transmitter and receiver are set to the same position, any combination of settings will operate the fan as long as the transmitter and receiver are set to the same position.(Figure 10)

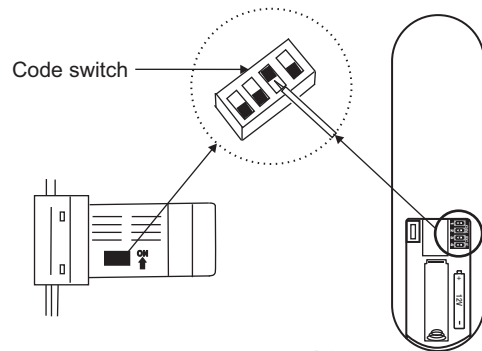


Figure 10

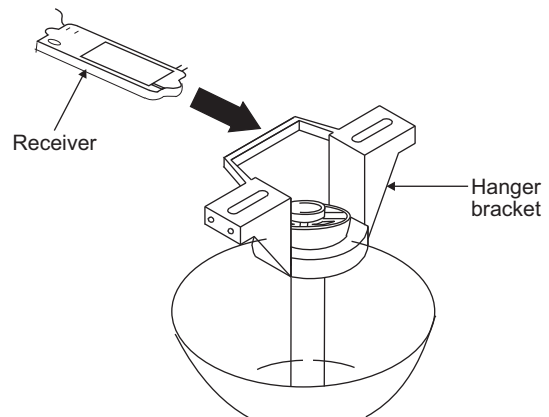


Figure 11

Step 1. (Figure 11) Insert the receiver into the mounting bracket with the flat side of the receiver facing the ceiling.

Step 2. (Figure 12) Motor to Receiver Electrical Connections: Connect the black wire from the fan to black wire marked "TO MOTOR L". Connect the white wire from the fan to the white wire marked "TO MOTOR N" from the receiver. Connect the blue wire from the fan to the blue wire marked "For Light" from the receiver. Secure the wire connections with the plastic wire nuts provided.

Step 3. (Figure 12) Receiver to House Supply Wires Electrical Connections: Connect the black (hot) wire from the ceiling to the black wire marked "AC in L" from the receiver. Connect the white (neutral) wire from the ceiling to the white wire marked "AC in N" from the Receiver. Secure the wire connections with the plastic wire nuts provided.

Step 4. (Figure 12) If your outlet box has a ground wire (green or bare copper) connect it to the fan ground wires; otherwise connect the hanging bracket ground wire to the mounting bracket. Secure the wire connection with a plastic nut provided. After connecting the wires, spread them apart so that the green and white wires are on one side of the outlet box and black and blue wires are on the other side. Carefully tuck the wire connections up into the outlet box.

Note: Fan must be installed at a maximum distance of 30 feet from the transmitting unit for proper signal transmission between the transmitting unit and the fan's receiving unit.

8. FINISHING THE INSTALLATION

Step 1. Tuck connections neatly into ceiling outlet box.

Step 2. Slide the canopy up to hanger bracket and place the key hole on the canopy over the screw on the hanger bracket, turn canopy until it locks in place at the narrow section of the key holes.

Step 3. Align the circular hole on canopy with the remaining hole on the hanger bracket, secure by tightening the two set screws.

Note: Adjust the canopy screws as necessary until the canopy and canopy cover are snug. (Fig. 13)

Warning: Make sure tab at bottom of hanger bracket is properly seated in groove of hanger ball before attaching canopy to bracket. Failure to properly seat tab in groove could cause damage to electrical wiring.

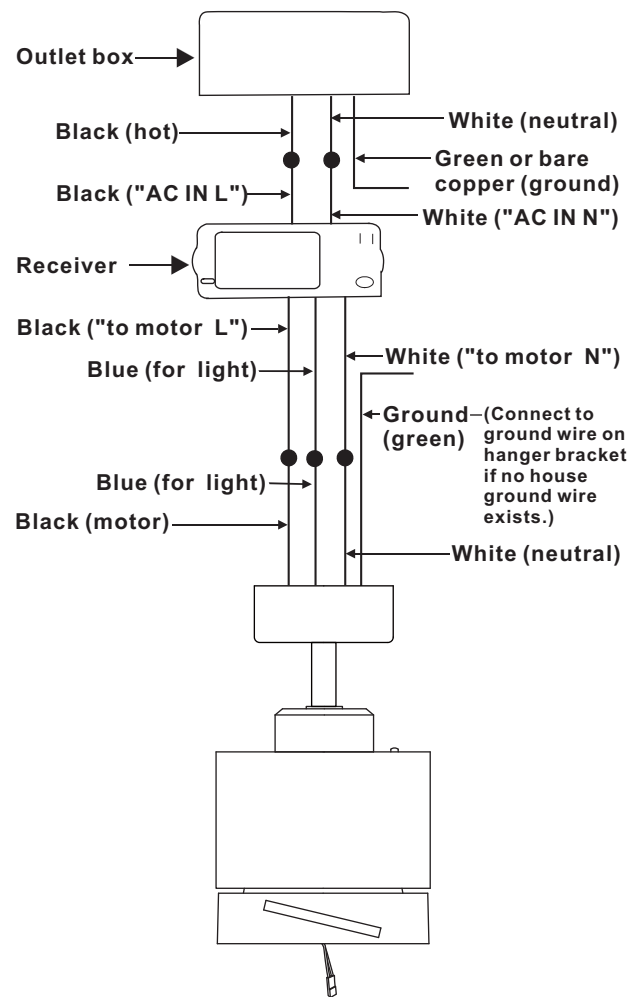


Figure 12

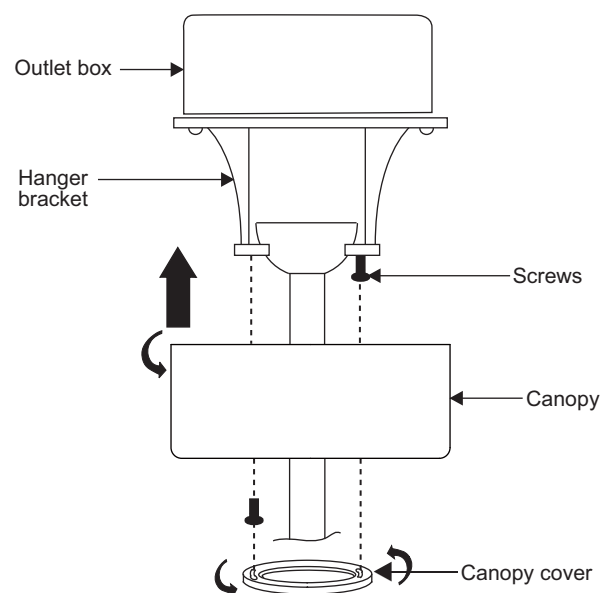


Figure 13

9. ATTACHING THE FAN BLADES

Step 1. Insert the blade through the slot in the housing. Align the holes in the blade and the fan motor assembly and secure with a the screw and fiber washer. (Fig. 14)

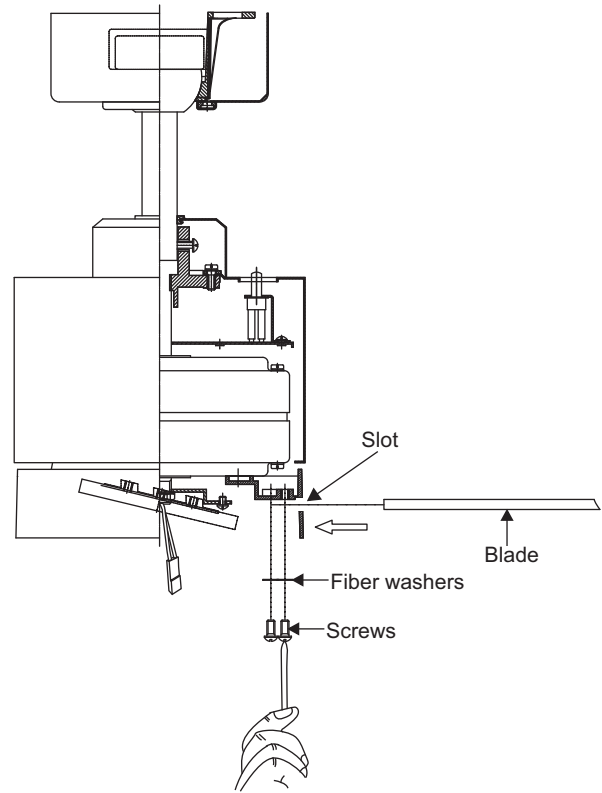


Figure 14

10. INSTALLATING THE MOUNTING PLATE

Step 1. Remove the 1 of 3 screws from the mounting ring and loosen the other 2 screws. (Do not remove)

Step 2. Place the key holes on the mounting plate over the 2 screws previously loosened from the mounting ring, turn mounting plate until it locks in place at the narrow section of the key holes. Secure by tightening the 2 screws previously loosened and the one previously removed. (Fig. 15)

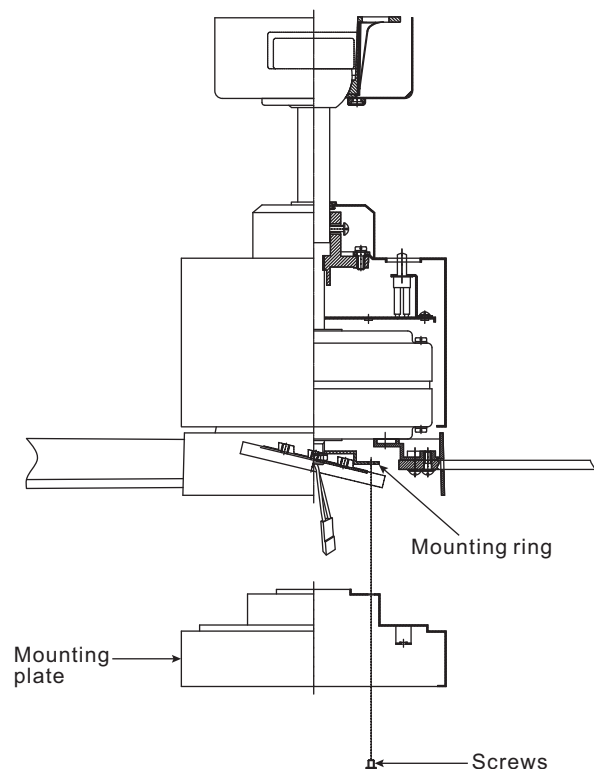


Figure 15

11. INSTALLING THE LED LIGHT KIT & GLASS SHADE

NOTE: Before starting installation, disconnect the power by turning off the circuit breaker or removing the fuse at fuse box. Turning power off using the fan switch is not sufficient to prevent electric shock.

Step 1. Remove the 1 of 3 screws from the posts of the mounting plate and keep it for future use. Loosen the other 2 screws. (Do not remove) (Fig. 16)

Step 2. While holding the LED light kit under your fan, make the polarized plug connections:

- White to white
- Black to black

Step 3. Place the key holes in the LED light kit over the two screws previously loosened from the mounting plate. Turn the LED light kit until the LED light kit locks in place at the narrow section of the key holes. (Fig. 16)

Step 4. Securely tighten the two light kit mounting screws previously loosened and the one previously removed. (Fig. 16)

Step 5. Raise glass shade up against the LED light kit, and secure it to fan by turning glass clockwise until snug. DO NOT OVERTIGHTEN. (Fig. 16)

NOTE: The switch cup cover included with your fan is an option to replace the glass for the light in the event that you prefer not to use the light feature of your fan. The switch cup cover is not necessary for the light operation; it can be saved for later use if desired.

12. INSTALLING THE BATTERY

Insert the 23A/12V battery (included) and make sure they are seated correctly in recess. (Fig. 17)

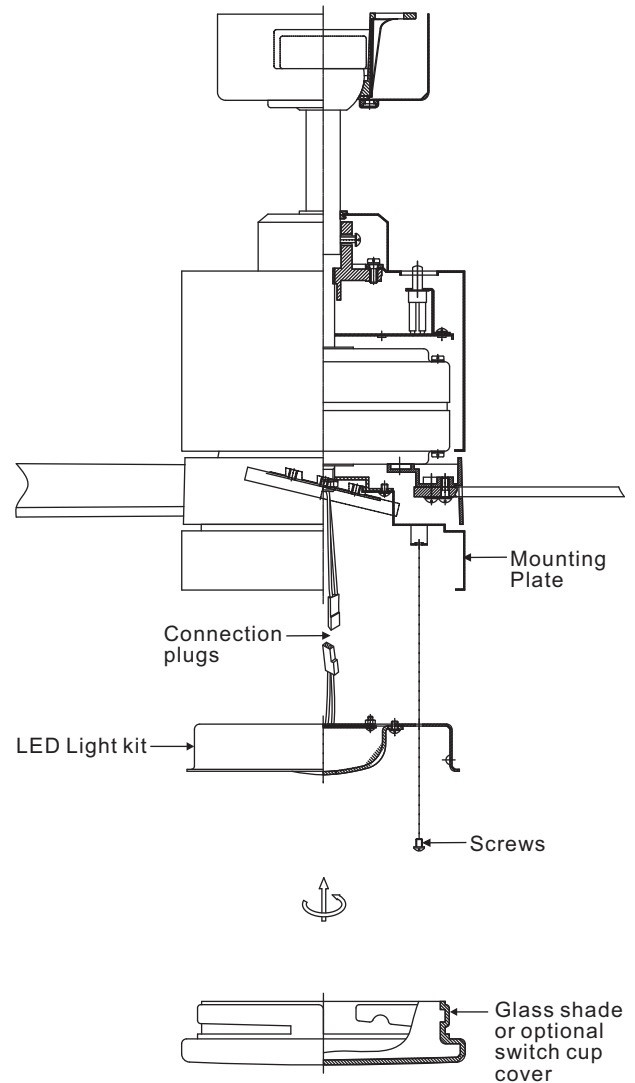


Figure 16

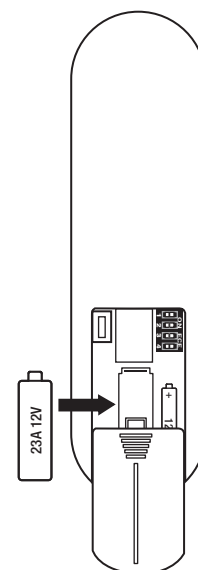


Figure 17

13. OPERATING INSTRUCTIONS

Restore power to ceiling fan and test for proper operation.

- A. ●●●, ●●, and ● buttons:
These three buttons are used to set the fan speed as follows:
 - = high speed
 - = medium speed
 - = low speed
- B. ■ button:
This button turns the fan off.
- C. The "↺↻" button has **NO** function.
- D. ☀ button:
This button controls the light. Press and release the button to turn the light ON or OFF. Press and hold the button to set the desired brightness. The light key has an auto-resume, it will stay at the same brightness as the last time it was turned off.

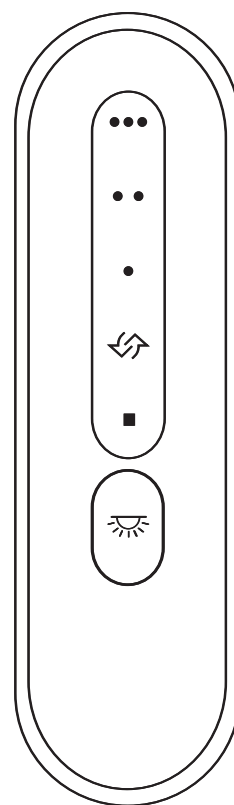


Figure 18

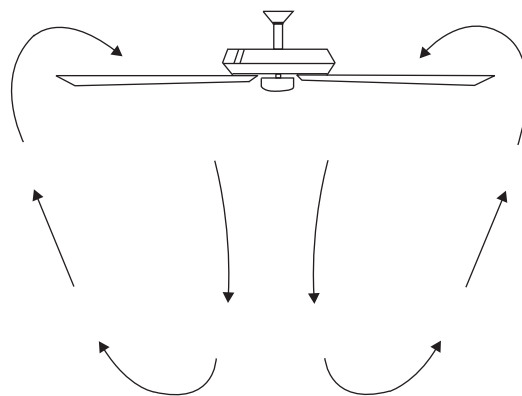


Figure 19

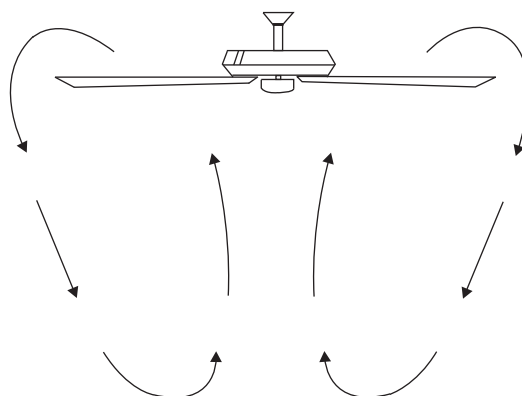


Figure 20

Speed settings for warm or cool weather depend on factors such as the room size, ceiling height and number of fans.

The Reverse switch is located on the motor housing. Slide the switch to the Left for warm weather operation. Slide the switch to the Right for cool weather operation.

NOTE: Wait for fan to stop before changing the setting of the slide switch.

Warm weather - (Forward) A downward airflow creates a cooling effect as shown in Fig. 19. This allows you to set your air conditioner on a warmer setting without effecting your comfort.

Cool weather - (Reverse) An upward airflow moves warm air off the ceiling area as shown in Fig. 20. This allows you to set your heating unit on a cooler setting without effecting your comfort.

14. TROUBLESHOOTING

Problem	Solution
Fan will not start.	<ol style="list-style-type: none">1. Check circuit fuses or breakers.2. Check line wire connections to the fan and switch wire connections in the switch housing. CAUTION: Make sure main power is off.3. Check to make sure the dip switches from the transmitter and receiver are set to the same frequency.
Fan sounds noisy.	<ol style="list-style-type: none">1. Make sure all motor housing screws are snug.2. Make sure the screws that attach the fan blade bracket to the motor hub is tight.3. Make sure wire nut connections are not rubbing against each other or the interior wall of the switch housing. CAUTION: Make sure main power is off.4. Allow a 24-hour "breaking-in" period. Most noise associated with a new fan disappear during this time.5. If using an optional light kit, make sure the screws securing the glassware are tight. Check that light bulb is also secure.6. Do not connect the fan with wall mounted variable speed control (s)7. Make sure the upper canopy is a short distance from the ceiling. It should not touch the ceiling.
Remote control malfunction:	<ol style="list-style-type: none">1. Do not connect the fan with wall mounted variable speed control (s)2. Make sure the dip switches are set correctly.

LED Light Kit Module Removal and Installation

WARNING! RISK OF ELECTRIC SHOCK

All electrical connections must be in accordance with local codes, ordinances, or national codes. If you are unfamiliar with methods of installing electrical wiring, secure the services of a qualified electrician.

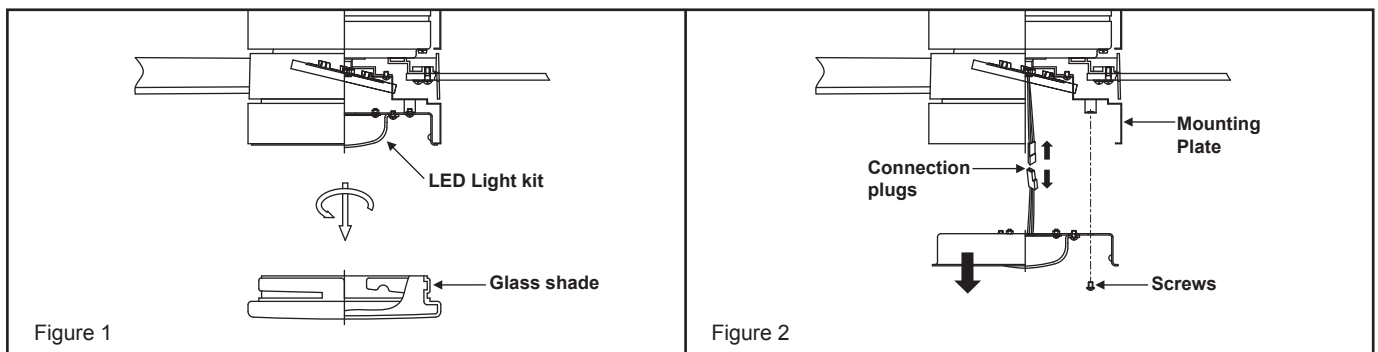
Before starting the installation, disconnect the power by turning off the circuit breaker or removing the fuse at fuse block. Turning power off using fan switch (speed control on/off) is not sufficient to prevent electrical shock.

NOTE: The important safeguards and instructions appearing in this manual are not meant to cover all possible conditions and situations that may occur.

CAUTION: The light source is designed for this specific application and can overheat if serviced by untrained personnel. If servicing is required, contact a qualified electrician.

CAUTION: The LED light module assembly is designed to be used with specific ceiling fans only. To prevent electric shock, do not disassemble or modify.

1. Remove the LED light kit by turning the glass shade counterclockwise first. (Fig. 1)
2. Remove the LED light from the fan by removing the non-slotted canopy mounting screw from the mounting plate and loosening the two slotted mounting screws a half turn. Next, turn the light kit counterclockwise to remove it from the mounting plate. Disconnect the light kit from the fan by way of the connection plugs. (Fig. 2)



3. While holding the new LED light kit under your fan, make the polarized plug connections. (Fig. 3)
 - Red to white
 - Black to black
4. Place the key holes in the LED light kit over the two screws previously loosened from the mounting plate. Turn the LED light kit until the LED light kit locks in place at the narrow section of the key holes. Securely tighten the two light kit mounting screws previously loosened and the one previously removed. (Fig. 3)
5. Place the glass shade on the LED light kit, and secure it to the fan by turning clockwise until snug. **DO NOT OVERTIGHTEN.** (Fig. 4) Restore power and your LED light module is ready for operation.

