

# INSTALLATION INSTRUCTION

## Kinetic - LED Pendant

PD-61728

# MODERN FORMS

### WARNING

IMPORTANT: NEVER attempt any work without shutting off the electricity.

- Read all instructions before installing.
- System is intended for installation by a qualified electrician in accordance with the National Electrical Code and local regulations.
- Go to the main fuse box, or circuit breaker. Place the main power switch in the "OFF" position and unscrew the fuse(s) or switch "OFF" the circuit breaker switch(es) that control the power to the fixture or room that you are working on.
- Place the wall switch in the "OFF" position.

### CAUTION

- All parts must be used as indicated in these instructions. Do not substitute any parts, leave parts out, or use any parts that are worn out or broken. Failure to follow this instruction could invalidate the ETL/CETL listing of this fixture.  
CAUTION When handling the fixture, do not apply pressure to the LEDs. Hold the fixture by the base only.

### AVERTISSEMENT

IMPORTANT : Coupez l'électricité avant TOUTE manipulation.

- Lisez toutes les instructions avant d'installer.
- Système est destiné à être installé par un électricien qualifié en conformité avec le code national de l'électricité et les règlements locaux.
- Accédez au panneau central de disjoncteurs ou de fusibles de votre demeure et placez l'interrupteur principal en position d'arrêt (« OFF »).
- Placez l'interrupteur mural en position d'arrêt (« OFF »).

### MISE EN GARDE

- Toutes les pièces doivent être utilisées tel qu'il est indiqué dans ces instructions. Ne remplacez pas les pièces, n'en laissez pas de côté et ne les utilisez pas si elles sont usées ou brisées. Le non-respect de ces instructions peut annuler l'homologation ETL/CETL du luminaire. MISE EN GARDE Ors de la manipulation de l'appareil, ne pas appliquer de pression à la LED, tenir l'appareil par la seule base.

### ADVERTENCIA

IMPORTANTE: NUNCA intente hacer trabajos sin desconectar el suministro eléctrico.

- Lea y comprenda todas las instrucciones e ilustraciones por completo antes de proceder con el ensamblaje e instalación de esta lámpara.
- Sistema está diseñado para ser instalado por un electricista calificado, de acuerdo con el código eléctrico nacional y las normas locales.
- Diríjase a la caja de fusibles o a la caja del interruptor de circuito principal en su hogar. Coloque el interruptor de alimentación principal en la posición "OFF" (APAGADO).
- Coloque el interruptor de la pared en la posición "OFF" (APAGADO).

### PRECAUCIÓN

- Todas las piezas deben usarse como lo indican estas instrucciones. No reemplace las piezas, no omita piezas durante la instalación ni utilice piezas gastadas o rotas. El incumplimiento de esta indicación podría invalidar la calificación ETL/CETL esta lámpara. PRECAUCIÓN Al manipular el aparato, no aplique presión a los LED, mantenga el aparato en la base sólo.

### HARDWARE

**A**



Wire  
Connector  
Qty: 5pcs+1 Extra  
7EAC112201  
P3

**B**



Junction  
Box Screw  
Qty: 2pcs+1 Extra  
7MPF0820C1  
#8-32x13/16

**C**



Driver Screw  
Qty: 1pc Extra  
7MPF0405C1  
5/32-32x3/16"  
Nickel Plating

**D**



Mounting Screw  
Qty: 1pc Extra  
4MPF041502PM/  
4MPF041502BK  
5/32-32x 9/16 "  
Paint PM/BK

modernforms.com  
Phone (800) 526.2588  
Fax (800) 526.2585

Headquarters/Eastern Distribution Center  
44 Harbor Park Drive  
Port Washington, NY 11050

Central Distribution Center  
1600 Distribution Ct  
Lithia Springs, GA 30122

Western Distribution Center  
1750 Archibald Avenue  
Ontario, CA 91760



**INSTALLATION INSTRUCTION**  
**Kinetic - LED Pendant**  
**PD-61728**

**MODERN FORMS**

**PREPARATION**

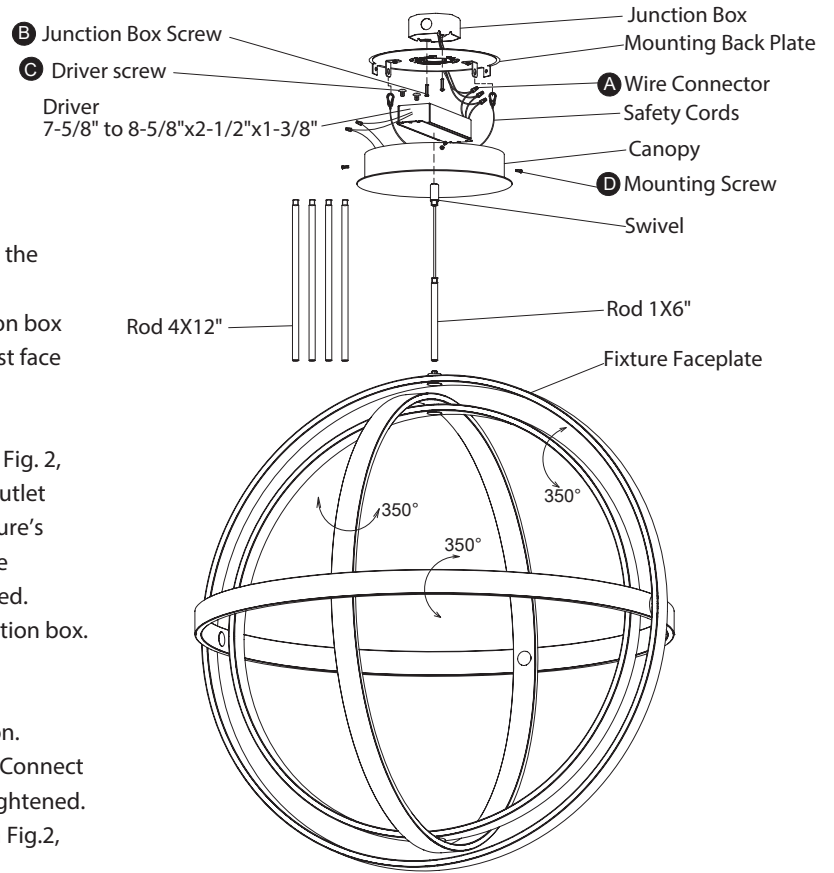
1. Shut off the power at the circuit breaker and remove existing fixture, including the crossbar.
2. Carefully unpack your new fixture and lay out all the parts on a clear area. Be careful not to lose any small parts necessary for installation.

**CONNECTING THE WIRES (Fig. 2)**

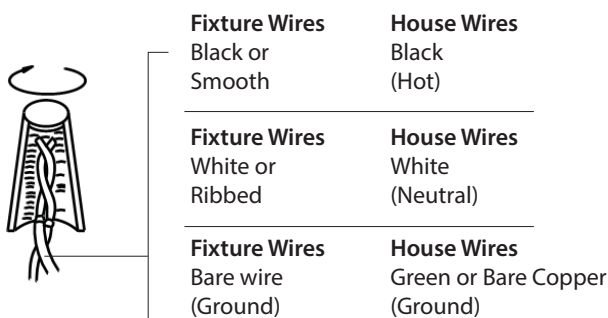
3. Remove the mounting screw (D) from the fixture. Disconnect the Driver's output wire. Remove the driver screw (C)
4. Secure mounting back plate to the junction box using junction box screws (B). The side of the mounting plate marked "GND" must face out. Pull out the driver output wire.
5. Hook the two safety cords to the mounting plate.
6. Connect the driver input wires with supply wires as shown in Fig. 2, making sure that all wire connectors (A) are secured. If your outlet box has a green or bare copper ground wire, connect the fixture's ground wire to it. Otherwise, connect the fixture's ground wire directly to the mounting plate using the green screw provided. After wires are connected, tuck them carefully inside the junction box.

**MOUNTING THE FIXTURE (Fig. 1)**

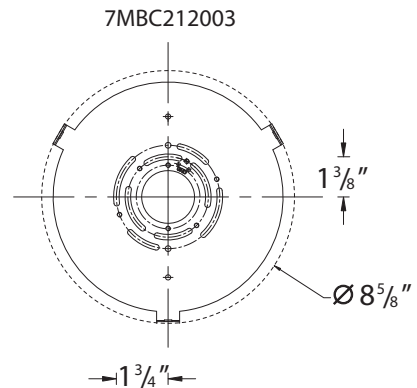
7. Choose the number of down rods suitable for your application.
8. Thread the fixture wire through the rods, swivel and canopy. Connect the canopy, swivel, rods and fixture body. Make sure all are tightened.
9. Connect the driver output wires with fixture wire as shown in Fig.2, making sure that all wire connectors ( A) are secured.
10. Place the fixture over the mounting back plate and secure it with mounting screws (D).
11. For slope ceiling application, rotate swivel at the top of the stem to ensure luminaries is aiming down (Fig.3)
12. The lamp ring can rotate 350 degree; rotate them to your desired angles.



**FIG. 2 WIRING**



**BACK PLATE DIMENSIONS**



modernforms.com  
 Phone (800) 526.2588  
 Fax (800) 526.2585

Headquarters/Eastern Distribution Center  
 44 Harbor Park Drive  
 Port Washington, NY 11050

Central Distribution Center  
 1600 Distribution Ct  
 Lithia Springs, GA 30122

Western Distribution Center  
 1750 Archibald Avenue  
 Ontario, CA 91760



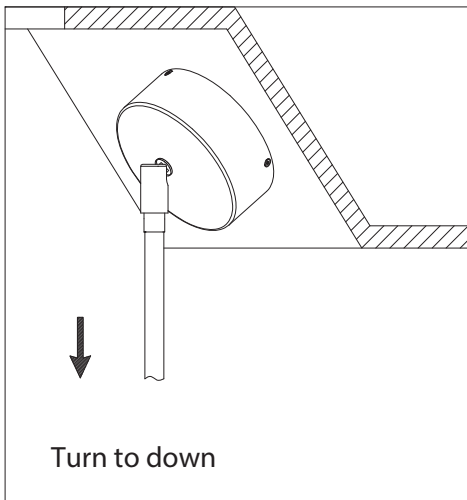
**INSTALLATION INSTRUCTION**  
**Kinetic - LED Pendant**  
**PD-61728**

**MODERN FORMS**

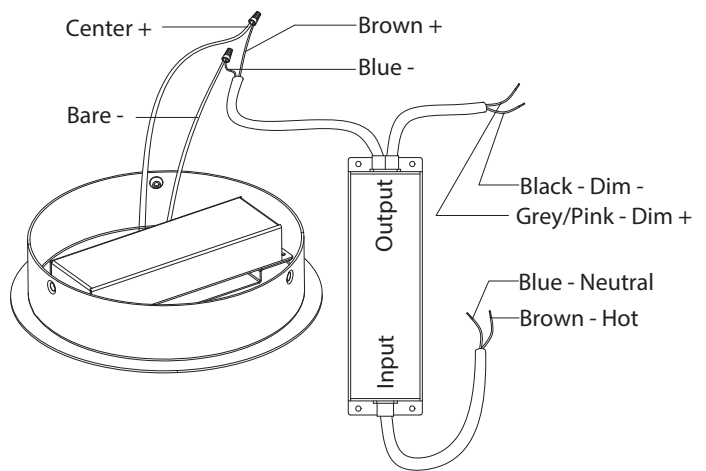
**DIMMING WIRING INFORMATION(FIG.4)**

13. This fixture features electronic low voltage (ELV or TRIAC) or 0-10V dimming capabilities. See notes below for specific dimming wires information.
14. To utilize ELV or TRIAC dimming: use wires brown (hot), blue(neutral) and bare copper ground wire (ground).
15. To utilize 0-10V dimming : use wire grey/pink (dim+), black (dim-),brown(hot), blue (neutral) and bare copper ground wire (ground).
- NOTE: Make sure to connect 0-10V prior to power-up the fixture in order to allow the 0-10V dimming to function properly.

**FIG. 3**



**FIG. 4 DRIVER WIRES**



modernforms.com  
 Phone (800) 526.2588  
 Fax (800) 526.2585

Headquarters/Eastern Distribution Center  
 44 Harbor Park Drive  
 Port Washington, NY 11050

Central Distribution Center  
 1600 Distribution Ct  
 Lithia Springs, GA 30122

Western Distribution Center  
 1750 Archibald Avenue  
 Ontario, CA 91760



# INSTALLATION INSTRUCTION

## Kinetic - LED Pendant

### PD-61738

# MODERN FORMS

#### WARNING

IMPORTANT: NEVER attempt any work without shutting off the electricity.

- Read all instructions before installing.
- System is intended for installation by a qualified electrician in accordance with the National Electrical Code and local regulations.
- Go to the main fuse box, or circuit breaker. Place the main power switch in the "OFF" position and unscrew the fuse(s) or switch "OFF" the circuit breaker switch(es) that control the power to the fixture or room that you are working on.
- Place the wall switch in the "OFF" position.

#### CAUTION

- All parts must be used as indicated in these instructions. Do not substitute any parts, leave parts out, or use any parts that are worn out or broken. Failure to follow this instruction could invalidate the ETL/CETL listing of this fixture.
- CAUTION When handling the fixture, do not apply pressure to the LEDs. Hold the fixture by the base only.

#### AVERTISSEMENT

IMPORTANT : Coupez l'électricité avant TOUTE manipulation.

- Lisez toutes les instructions avant d'installer.
- Système est destiné à être installé par un électricien qualifié en conformité avec le code national de l'électricité et les règlements locaux.
- Accédez au panneau central de disjoncteurs ou de fusibles de votre demeure et placez l'interrupteur principal en position d'arrêt (« OFF »).
- Placez l'interrupteur mural en position d'arrêt (« OFF »).

#### MISE EN GARDE

- Toutes les pièces doivent être utilisées tel qu'il est indiqué dans ces instructions. Ne remplacez pas les pièces, n'en laissez pas de côté et ne les utilisez pas si elles sont usées ou brisées. Le non-respect de ces instructions peut annuler l'homologation ETL/CETL du luminaire. MISE EN GARDE Ors de la manipulation de l'appareil, ne pas appliquer de pression à la LED, tenir l'appareil par la seule base.

#### ADVERTENCIA

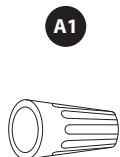
IMPORTANTE: NUNCA intente hacer trabajos sin desconectar el suministro eléctrico.

- Lea y comprenda todas las instrucciones e ilustraciones por completo antes de proceder con el ensamblaje e instalación de esta lámpara.
- Sistema está diseñado para ser instalado por un electricista calificado, de acuerdo con el código eléctrico nacional y las normas locales.
- Diríjase a la caja de fusibles o a la caja del interruptor de circuito principal en su hogar. Coloque el interruptor de alimentación principal en la posición "OFF" (APAGADO).
- Coloque el interruptor de la pared en la posición "OFF" (APAGADO).

#### PRECAUCIÓN

- Todas las piezas deben usarse como lo indican estas instrucciones. No reemplace las piezas, no omita piezas durante la instalación ni utilice piezas gastadas o rotas. El incumplimiento de esta indicación podría invalidar la calificación ETL/CETL esta lámpara. PRECAUCIÓN Al manipular el aparato, no aplique presión a los LED, mantenga el aparato en la base sólo.

#### HARDWARE



Wire Connector  
Qty: 5 pcs + 1 Extra  
7EAC112201  
P3



Junction Box Screw  
Qty: 2 pcs + 1 Extra  
7MPF0820C1  
#8-32x13/16"  
SS



Driver Screw  
Qty: 1 Extra  
7MPF0405C1  
5/32-32x3/16"  
Nickel Plating



Metal Gasket  
Qty: 1 Extra  
7MPH1005A1  
Ø10x1.24mm  
Nickel Plating



Mounting Screw  
Qty: 1 Extra  
4MPF041502PM  
5/32-32x 9/16"  
Paint PM

modernforms.com  
Phone (800) 526.2588  
Fax (800) 526.2585

Headquarters/Eastern Distribution Center  
44 Harbor Park Drive  
Port Washington, NY 11050

Central Distribution Center  
1600 Distribution Ct  
Lithia Springs, GA 30122

Western Distribution Center  
1750 Archibald Avenue  
Ontario, CA 91760



INSTALLATION INSTRUCTION  
Kinetic - LED Pendant  
PD-61738

MODERN FORMS

**PREPARATION**

1. Shut off the power at the circuit breaker and remove existing fixture, including the crossbar.
2. Carefully unpack your new fixture and lay out all the parts on a clear area. Be careful not to lose any small parts necessary for installation.

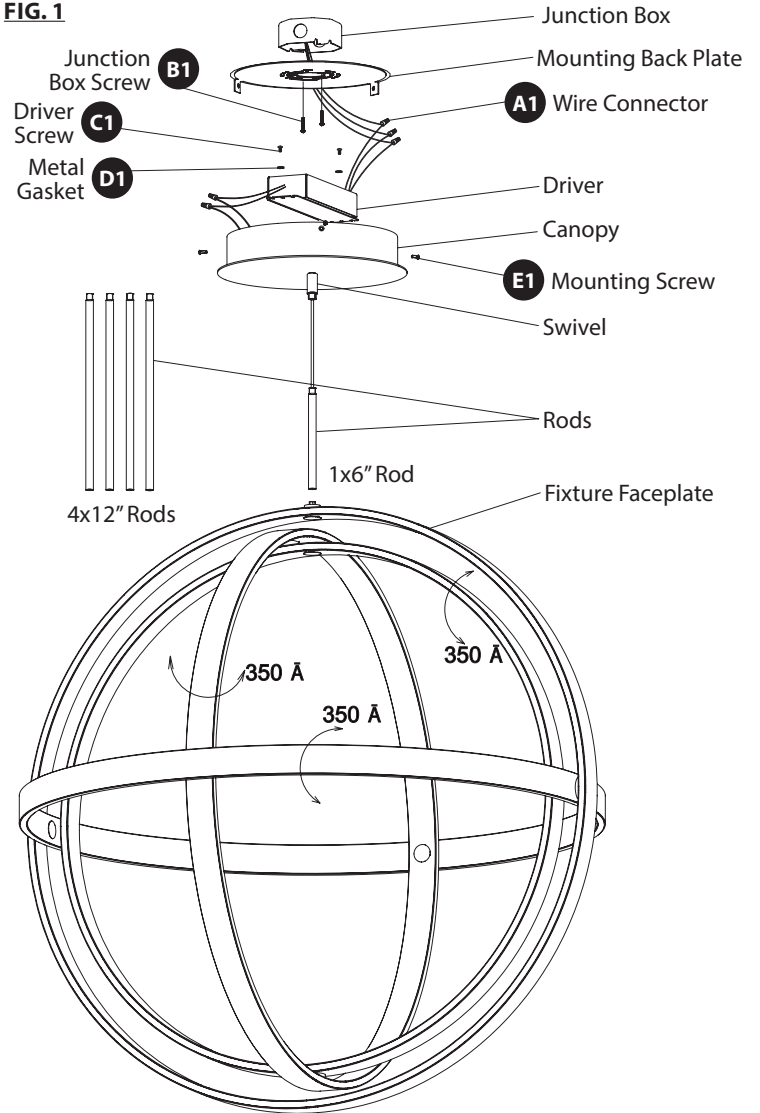
**CONNECTING THE WIRES** (Fig. 2)

3. Remove the mounting screws (E1) from the fixture. Disconnect the Driver's output wire. Remove the driver screw (C1) and metal gasket (D1).
4. Secure mounting back plate to the junction box using junction box screws (B1). The side of the mounting plate marked "GND" must face out. Pull out the driver output wire.
5. Connect the driver input wires with supply wires as shown in **Fig. 2**, making sure that all wire connectors (A1) are secured. If your outlet box has a green or bare copper ground wire, connect the fixture's ground wire to it. Otherwise, connect the fixture's ground wire directly to the mounting plate using the green screw provided. After wires are connected, tuck them carefully inside the junction box.

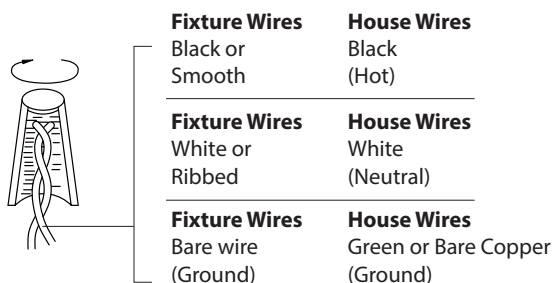
**MOUNTING THE FIXTURE** (Fig. 1)

6. Choose the number of down rods suitable for your application.
7. Thread the fixture wire through the rods, swivel and canopy. Connect the canopy, swivel, rods and fixture body. Make sure all are tightened.
8. Connect the driver output wires with fixture wire as shown in **Fig. 2**, making sure that all wire connectors (A1) are secured. secure the driver with driver screw (C1) and metal gasket (D1).
9. Place the fixture over the mounting back plate and secure it with mounting screws (E1).
10. For slope ceiling application, rotate swivel at the top of the stem to ensure luminaries is aiming down (**Fig. 3**)
11. The lamp ring can rotate 350 degree; rotate them to your desired angles.

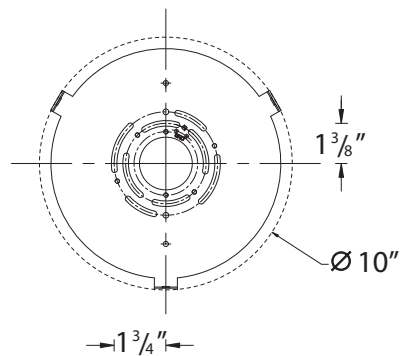
**FIG. 1**



**Fig. 2 Wiring**



**Back Plate Dimensions**



modernforms.com  
Phone (800) 526.2588  
Fax (800) 526.2585

Headquarters/Eastern Distribution Center  
44 Harbor Park Drive  
Port Washington, NY 11050

Central Distribution Center  
1600 Distribution Ct  
Lithia Springs, GA 30122

Western Distribution Center  
1750 Archibald Avenue  
Ontario, CA 91760



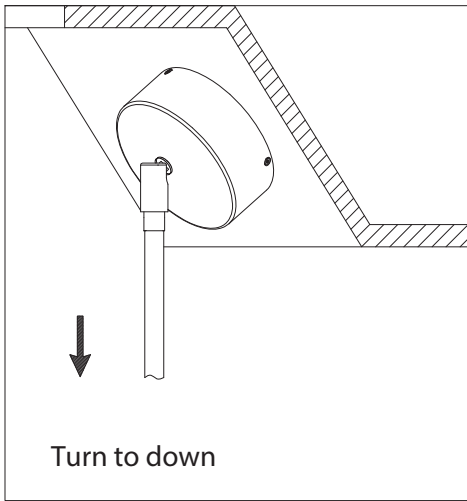
**INSTALLATION INSTRUCTION**  
**Kinetic - LED Pendant**  
**PD-61738**

**MODERN FORMS**

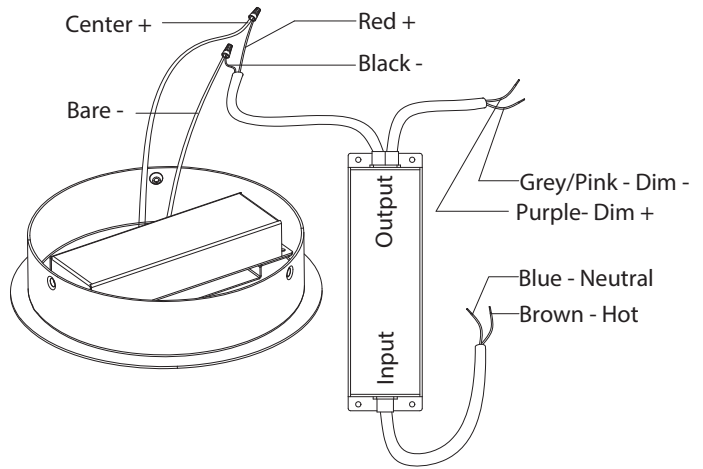
**DIMMING WIRING INFORMATION(FIG.4)**

12. This fixture features electronic low voltage (ELV or TRIAC) or 0-10V dimming capabilities. See notes below for specific dimming wires information.
  13. To utilize ELV or TRIAC dimming: use wires brown (hot), blue(neutral) and bare copper ground wire (ground).
  14. To utilize 0-10V dimming : use wire purple (dim+), grey/pink (dim-),brown(hot), blue (neutral) and bare copper ground wire (ground).
- NOTE:** Make sure to connect 0-10V prior to power-up the fixture in order to allow the 0-10V dimming to function properly.

**FIG. 3**



**FIG. 4 DRIVER WIRES**



modernforms.com  
 Phone (800) 526.2588  
 Fax (800) 526.2585

**Headquarters/Eastern Distribution Center**  
 44 Harbor Park Drive  
 Port Washington, NY 11050

**Central Distribution Center**  
 1600 Distribution Ct  
 Lithia Springs, GA 30122

**Western Distribution Center**  
 1750 Archibald Avenue  
 Ontario, CA 91760



# INSTALLATION INSTRUCTION

## Kinetic - LED Pendant

PD-61760

# MODERN FORMS

### WARNING

IMPORTANT: NEVER attempt any work without shutting off the electricity.

- Read all instructions before installing.
- System is intended for installation by a qualified electrician in accordance with the National Electrical Code and local regulations.
- Go to the main fuse box, or circuit breaker. Place the main power switch in the "OFF" position and unscrew the fuse(s) or switch "OFF" the circuit breaker switch(es) that control the power to the fixture or room that you are working on.
- Place the wall switch in the "OFF" position.

### CAUTION

- All parts must be used as indicated in these instructions. Do not substitute any parts, leave parts out, or use any parts that are worn out or broken. Failure to follow this instruction could invalidate the ETL/CETL listing of this fixture.  
CAUTION When handling the fixture, do not apply pressure to the LEDs. Hold the fixture by the base only.

### AVERTISSEMENT

IMPORTANT : Coupez l'électricité avant TOUTE manipulation.

- Lisez toutes les instructions avant d'installer.
- Système est destiné à être installé par un électricien qualifié en conformité avec le code national de l'électricité et les règlements locaux.
- Accédez au panneau central de disjoncteurs ou de fusibles de votre demeure et placez l'interrupteur principal en position d'arrêt (« OFF »).
- Placez l'interrupteur mural en position d'arrêt (« OFF »).

### MISE EN GARDE

- Toutes les pièces doivent être utilisées tel qu'il est indiqué dans ces instructions. Ne remplacez pas les pièces, n'en laissez pas de côté et ne les utilisez pas si elles sont usées ou brisées. Le non-respect de ces instructions peut annuler l'homologation ETL/CETL du luminaire. MISE EN GARDE Ors de la manipulation de l'appareil, ne pas appliquer de pression à la LED, tenir l'appareil par la seule base.

### ADVERTENCIA

IMPORTANTE: NUNCA intente hacer trabajos sin desconectar el suministro eléctrico.

- Lea y comprenda todas las instrucciones e ilustraciones por completo antes de proceder con el ensamblaje e instalación de esta lámpara.
- Sistema está diseñado para ser instalado por un electricista calificado, de acuerdo con el código eléctrico nacional y las normas locales.
- Diríjase a la caja de fusibles o a la caja del interruptor de circuito principal en su hogar. Coloque el interruptor de alimentación principal en la posición "OFF" (APAGADO).
- Coloque el interruptor de la pared en la posición "OFF" (APAGADO).

### PRECAUCIÓN

- Todas las piezas deben usarse como lo indican estas instrucciones. No reemplace las piezas, no omita piezas durante la instalación ni utilice piezas gastadas o rotas. El incumplimiento de esta indicación podría invalidar la calificación ETL/CETL esta lámpara. PRECAUCIÓN Al manipular el aparato, no aplique presión a los LED, mantenga el aparato en la base sólo.

### HARDWARE



Plastic Anchor  
Qty: 4pcs+1pc Extra  
7TCH421301  
Nickel  
Φ4X22



Wood Screw  
Qty: 4pcs+1pc Extra  
7MPF2204J2  
Nickel  
Φ4X22



Wire Connector  
Qty: 5pcs+1Extra  
7EAC112201  
P3



Junction Box Screw  
Qty: 2pcs+1Extra  
7MPF0820C1  
#8-32x13/16



Allen Screw  
Qty: 1pc Extra  
7MPF0303K1  
1/8-40x 1/8  
Paint NI



Allen Wrench  
Qty: 1pc  
7MPE155003  
1/16x1/16x1 13/16  
Black Zinc



Mounting Screw  
Qty: 1pc Extra  
4MPF041502PM/  
4MPF041502BK  
5/32-32x 9/16  
Paint PM/BK

modernforms.com  
Phone (800) 526.2588  
Fax (800) 526.2585

Headquarters/Eastern Distribution Center  
44 Harbor Park Drive  
Port Washington, NY 11050

Central Distribution Center  
1600 Distribution Ct  
Lithia Springs, GA 30122

Western Distribution Center  
1750 Archibald Avenue  
Ontario, CA 91760



# INSTALLATION INSTRUCTION

## Kinetic - LED Pendant

PD-61760

# MODERN FORMS

### PREPARATION

1. Shut off the power at the circuit breaker and remove existing fixture, including the crossbar.
2. Carefully unpack your new fixture and lay out all the parts on a clear area. Be careful not to lose any small parts necessary for installation.

### CONNECTING THE WIRES (Fig. 2)

3. Remove the mounting screw (G) and Mounting Back Plate from the fixture.
  4. Remove two hoods from the safety cord; choose the number of down rods suitable of your application.
  5. Thread the two safety cords and fixture wire through the rods and canopy one by one. Connect the canopy, rods and fixture body. Making sure all are tightened.
  6. Unscrew the Allen screw (F) using Allen wrench (E), pull out the extra safety cord through clamp, leave a loop for hooking, then secure the safety cords with clamp by tightening the Allen screw, hook the hooks into the safety cord loop.
  7. Drill holes in the wall aligned with the key hole located in the mounting plate, insert the plastic anchor (A).
  8. Secure mounting back plate to the junction box using junction box screws (D), fasten it to the wall using wood screw (B) The side of the mounting plate marked "GND" must face out.
- \* Hook the two hooks on the mounting back plate slot.**
9. Connect the driver input wires with outlet box wires, making sure that all wire connectors (C) are secured. If your outlet box has a green or bare copper ground wire, connect the fixture's ground wire to it. Otherwise, connect the fixture's ground wire directly to the mounting plate using the green screw provided. After wires are connected, tuck them carefully inside the junction box.
  10. Connect the driver output wires with fixture wire as shown in Fig.2, making sure that all wire connectors (C) are secured.
  11. Place the fixture over the mounting back plate and secure it with mounting screws (G).
  12. The lamp ring can rotate 350 degree; rotate them to your desired angles.

**Note: The fixture exceeds 100 lbs. and must be installed using an outlet box U.L. approved for 200lbs.**

Fig. 2 Wiring

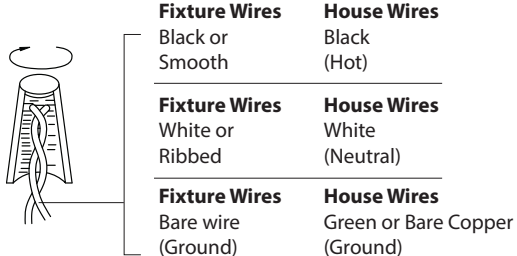
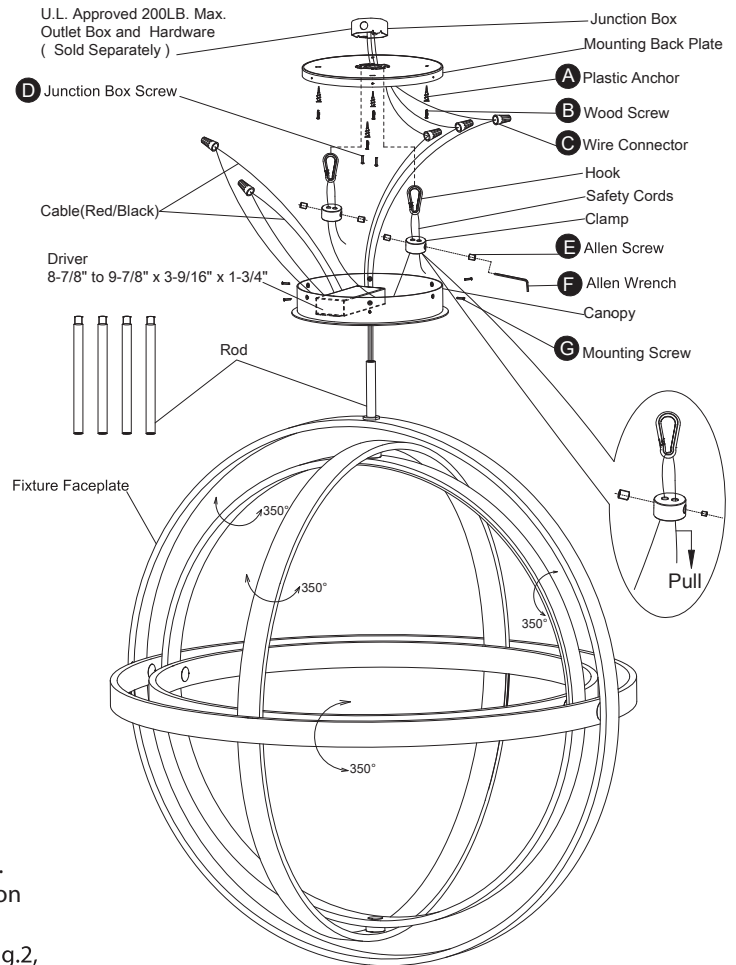
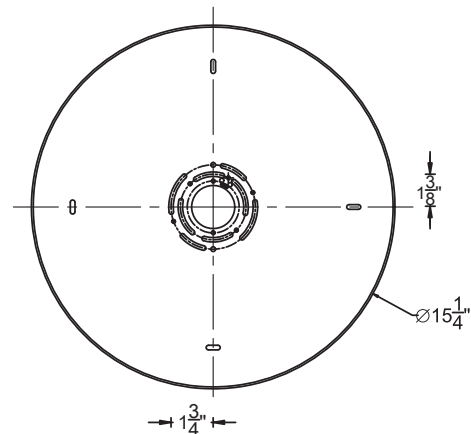


Fig.1



Back Plate Dimensions  
7MBC382501



modernforms.com  
Phone (800) 526.2588  
Fax (800) 526.2585

Headquarters/Eastern Distribution Center  
44 Harbor Park Drive  
Port Washington, NY 11050

Central Distribution Center  
1600 Distribution Ct  
Lithia Springs, GA 30122

Western Distribution Center  
1750 Archibald Avenue  
Ontario, CA 91760





# INSTALLATION INSTRUCTION

## Kinetic - LED Pendant

PD-61760

# MODERN FORMS

### DIMMING WIRING INFORMATION(FIG.4)

12. This fixture features electronic low voltage (ELV or TRAIC) or 0-10V dimming capabilities. See notes below for specific dimming wires information.
13. To utilize ELV or TRAIC dimming: use wires brown (hot), blue(neutral) and green&yellow (ground).
14. To utilize 0-10V dimming : use wire blue (dim+), white (dim-),brown(hot), blue (neutral),green&yellow (ground) and bare copper ground wire (ground).

**NOTE:** Make sure to connect 0-10V prior to power-up the fixture in order to allow the 0-10V dimming to function properly.

**FIG. 4 DRIVER WIRES**

