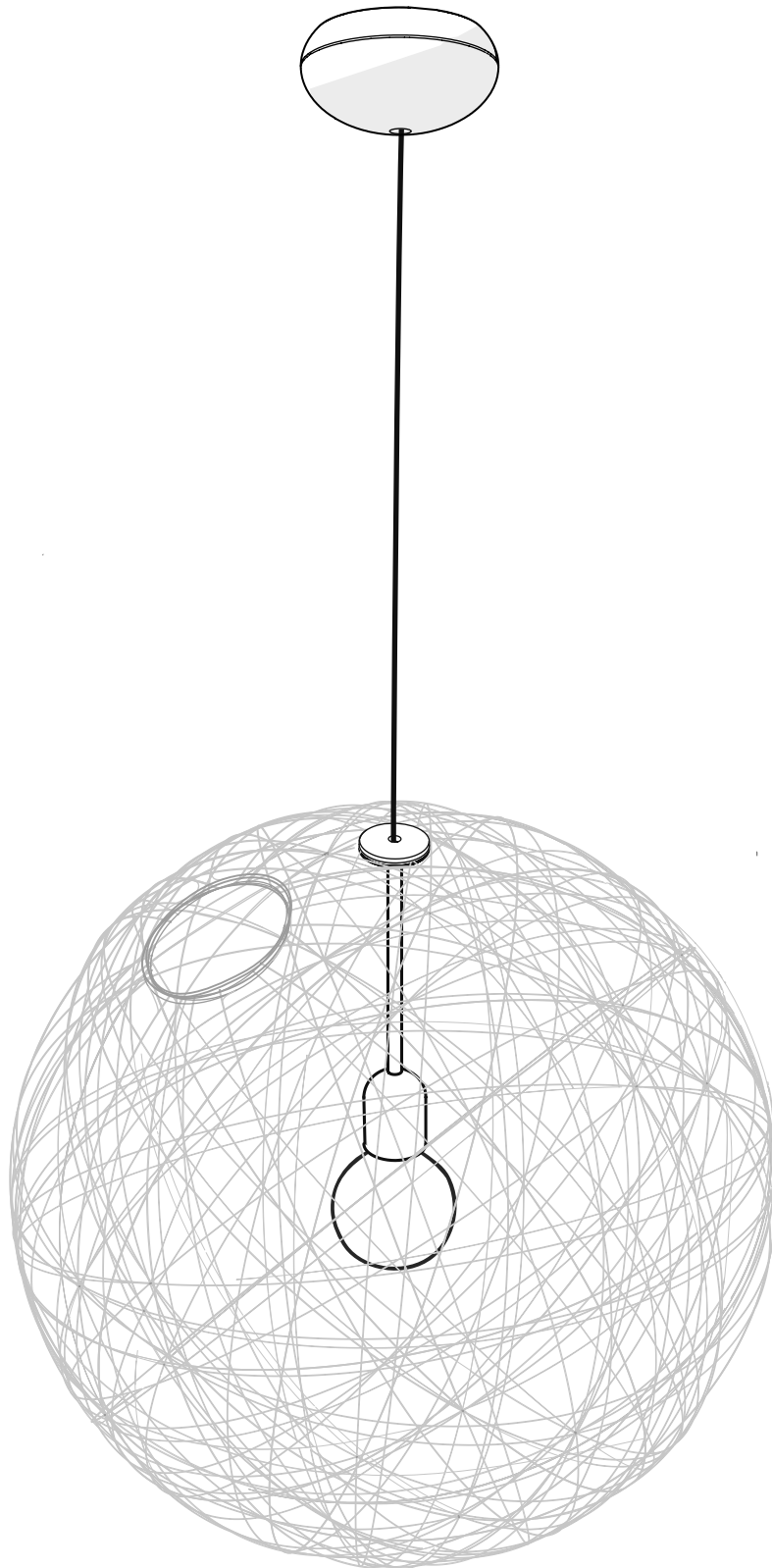


m o o o i[®]
RANDOM LIGHT II



visit www.mooui.com for more information about the collection

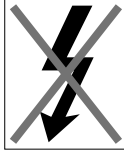
m o o o i

RANDOM LIGHT II

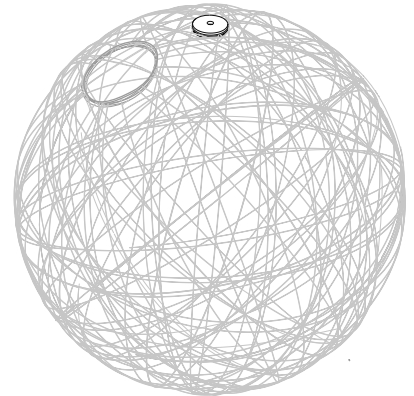
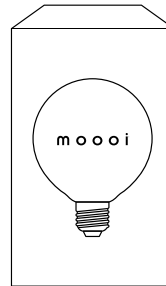
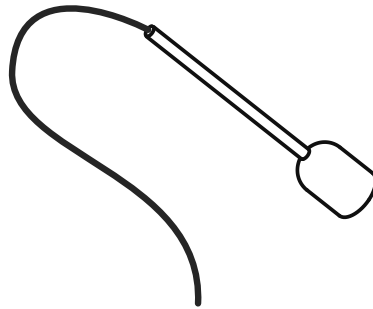
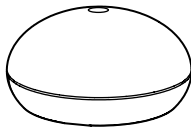
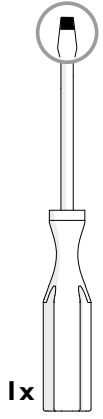
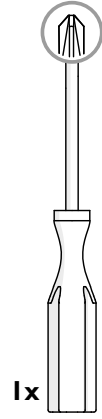
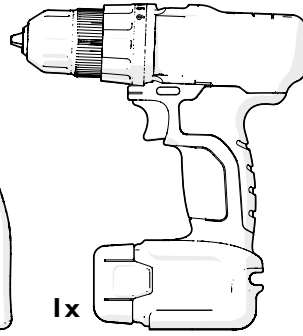
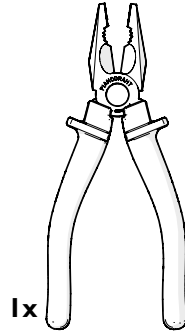
i



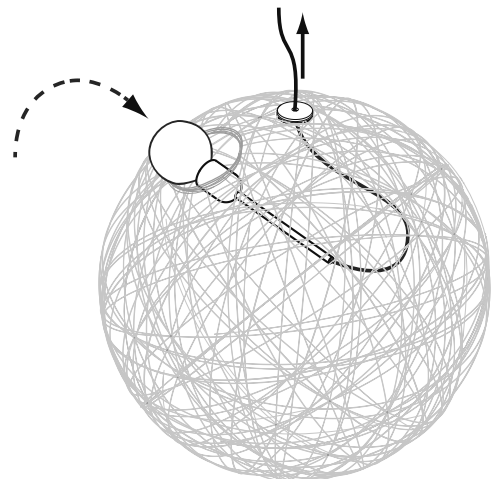
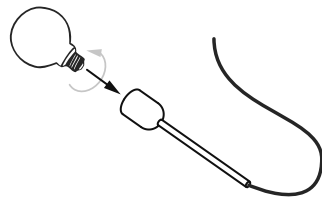
PLEASE HANDLE THIS PRODUCT WITH CARE.
NEVER PLACE THE LAMP ON THE GROUND. THIS MAY DAMAGE THE PRODUCT



NOT INCLUDED



1

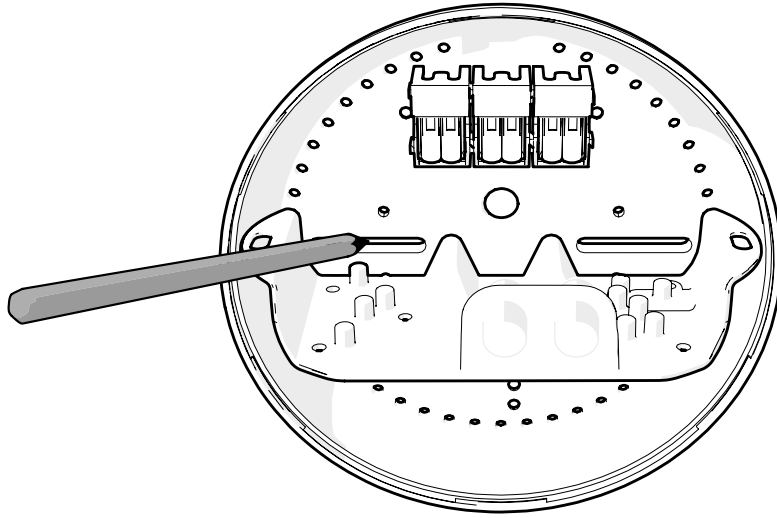


visit www.moooi.com for more information about the collection

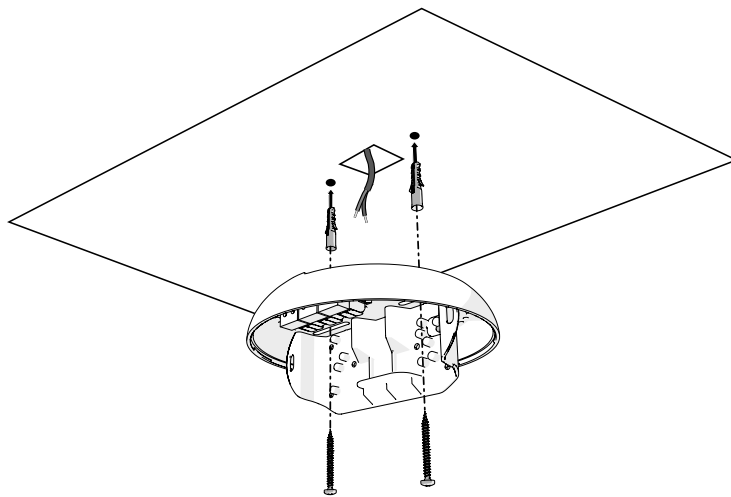
moooi

RANDOM LIGHT II

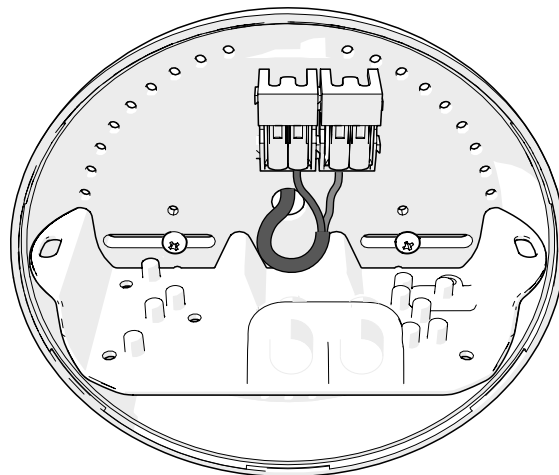
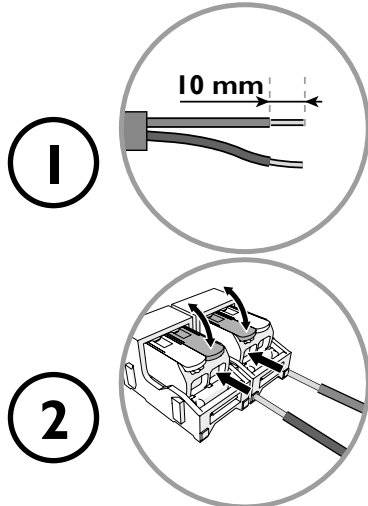
2



3



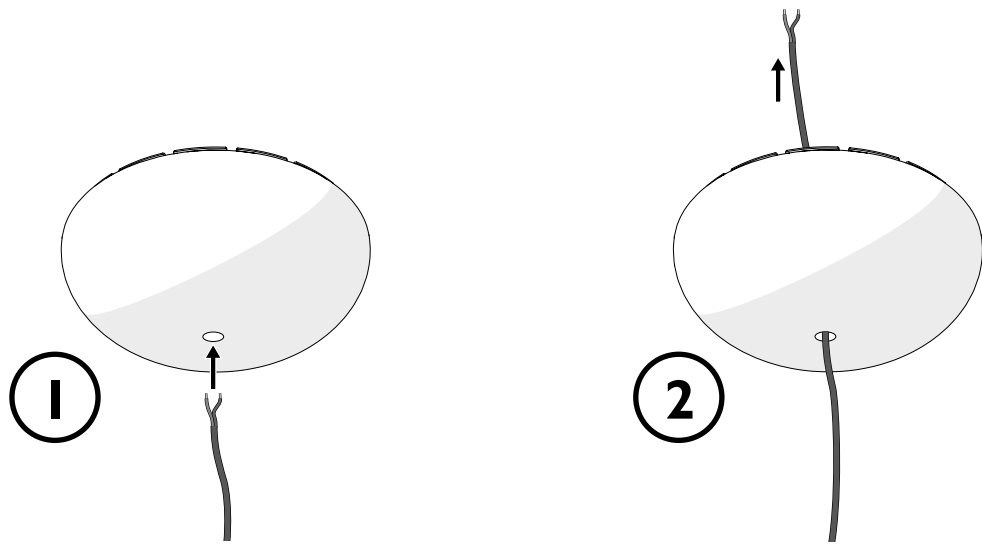
4



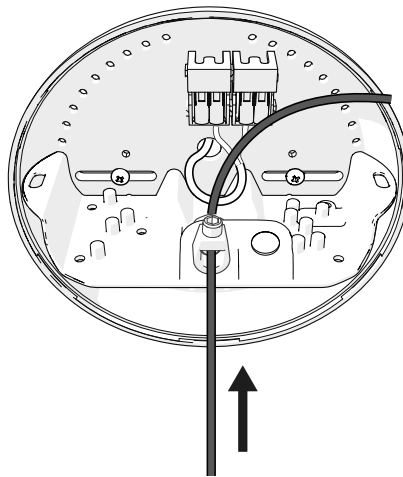
moooi

RANDOM LIGHT II

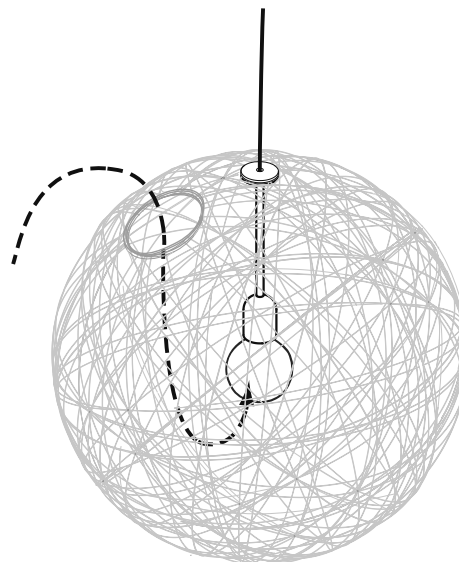
5



6



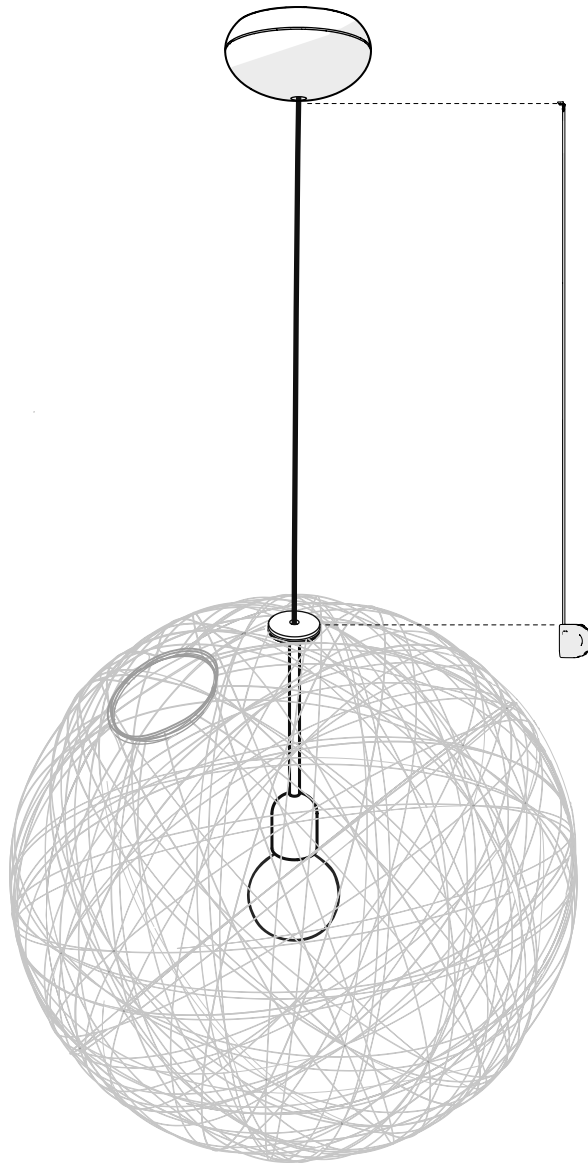
7



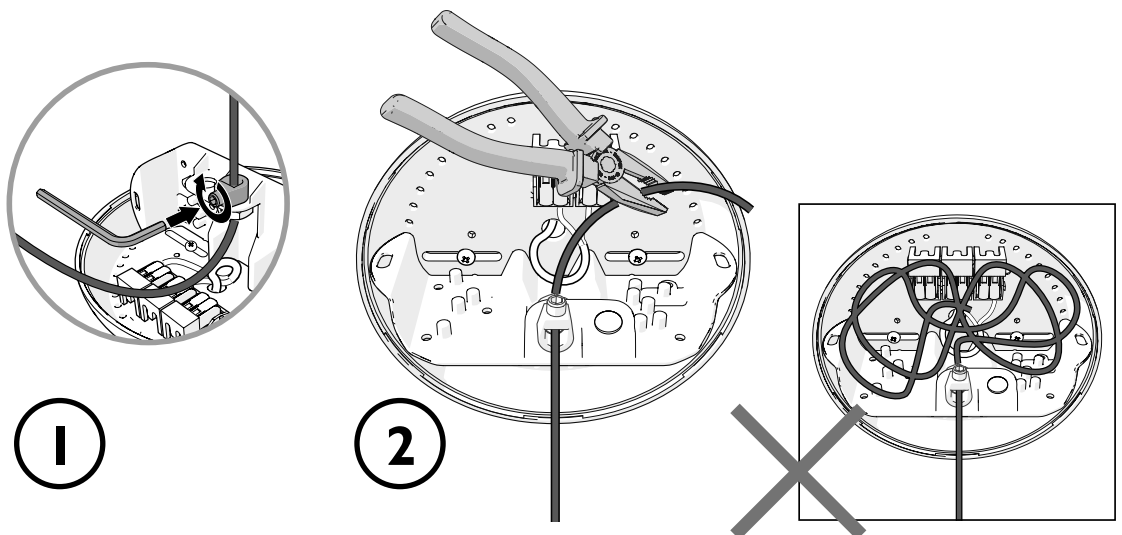
moooi

RANDOM LIGHT II

8



9

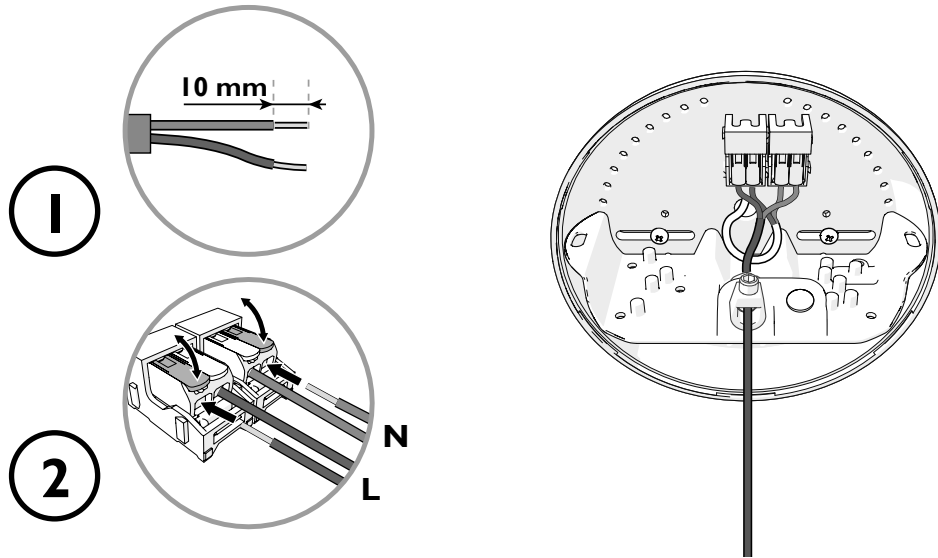


visit www.moooi.com for more information about the collection

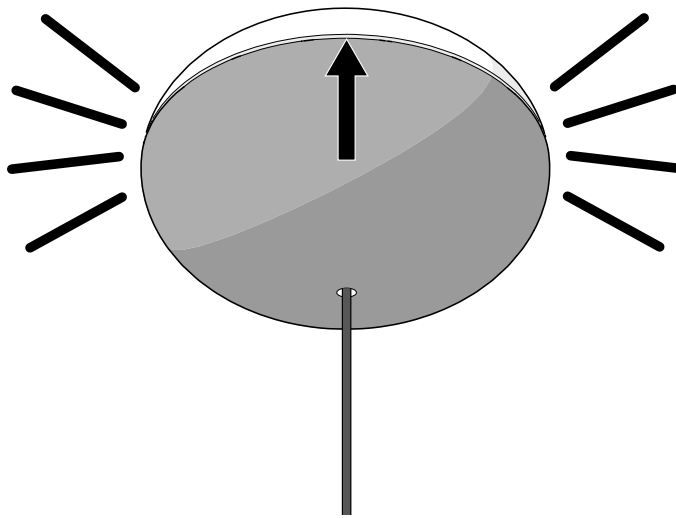
m o o o i

RANDOM LIGHT II

10



11



m o o o i

CAN ICES-005

THIS DEVICE COMPLIES WITH PART 15 OF THE FCC RULES.
OPERATION IS SUBJECT TO THE FOLLOWING TWO CONDITIONS:

- (1) THIS DEVICE MAY NOT CAUSE HARMFUL INTERFERENCE, AND
- (2) THIS DEVICE MUST ACCEPT ANY INTERFERENCE RECEIVED,
INCLUDING INTERFERENCE THAT MAY CAUSE UNDESIRE
OPERATION

MOOOI B.V.

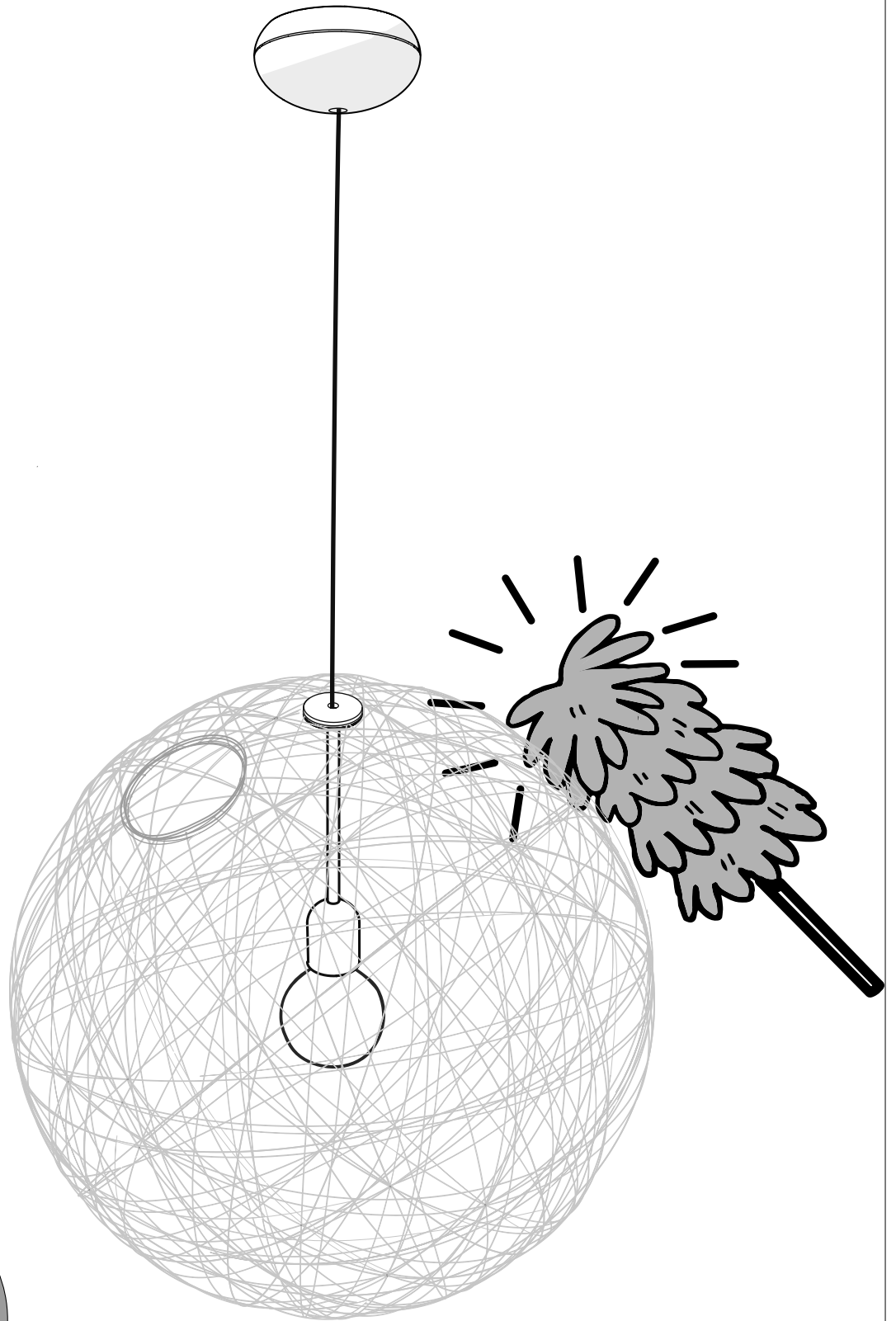
MINERVUM 7003
BREDA
THE NETHERLANDS



moooi

RANDOM LIGHT II

i



visit www.moooi.com for more information about the collection

Thank you!