

5

Trimless Micro Ray Downlight

Cells

- Durable airtight aluminum body
- Type IC, Damp Location - No Housing Required
- Flangeless installation, provide a more high end looking
- No housing required, easy and fast installation
- 100%-10% dimming capability. This fixture is compatible with industry standard forward-phase / reverse-phase and TRIAC/ELV dimmers
- Rated for long life - over 50,000 hours

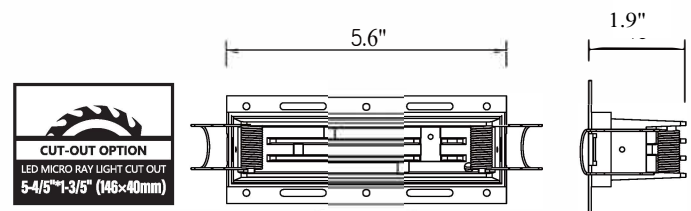
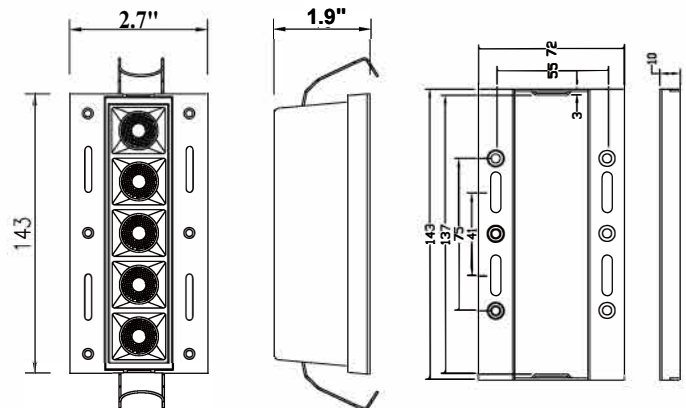


SPECIFICATIONS	
Application	Recessed Ceiling Mount
Watts	10W
CRI	90Ra+
Color Temperature(K)	3000K / 4000K
Light Output(lm)	750lm
Default Driver Input	AC120V, 60Hz
Dimming	Triac Dimming
Power Factor	>0.9
Approved Location	Damp Location
IC Rated	Yes
Operating Temp.	(-4°F~104°F) -20~40°C
Beam Angle	38°

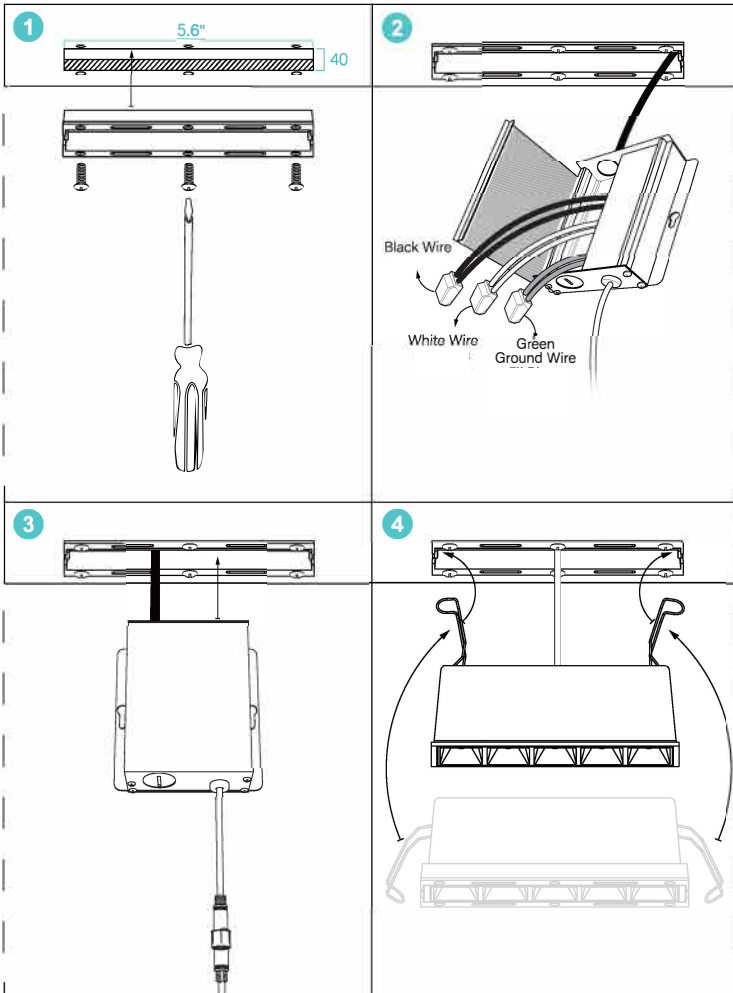
ORDERING

MODELS	CCT	FINISH
MR5TL-10W-3D90-38MW	3000K	MW(Matte White)
MR5TL-10W-3D90-38-MWB		MWB(Matte White with Black interior)
MR5TL-10W-4D90-38-MW	4000K	

DIMENSIONS



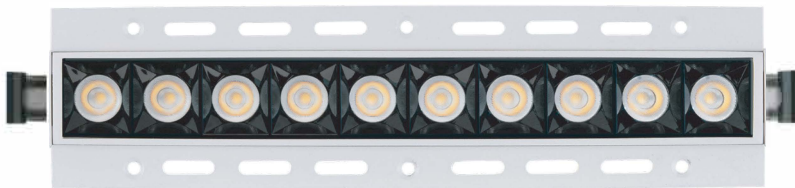
INSTALLATION



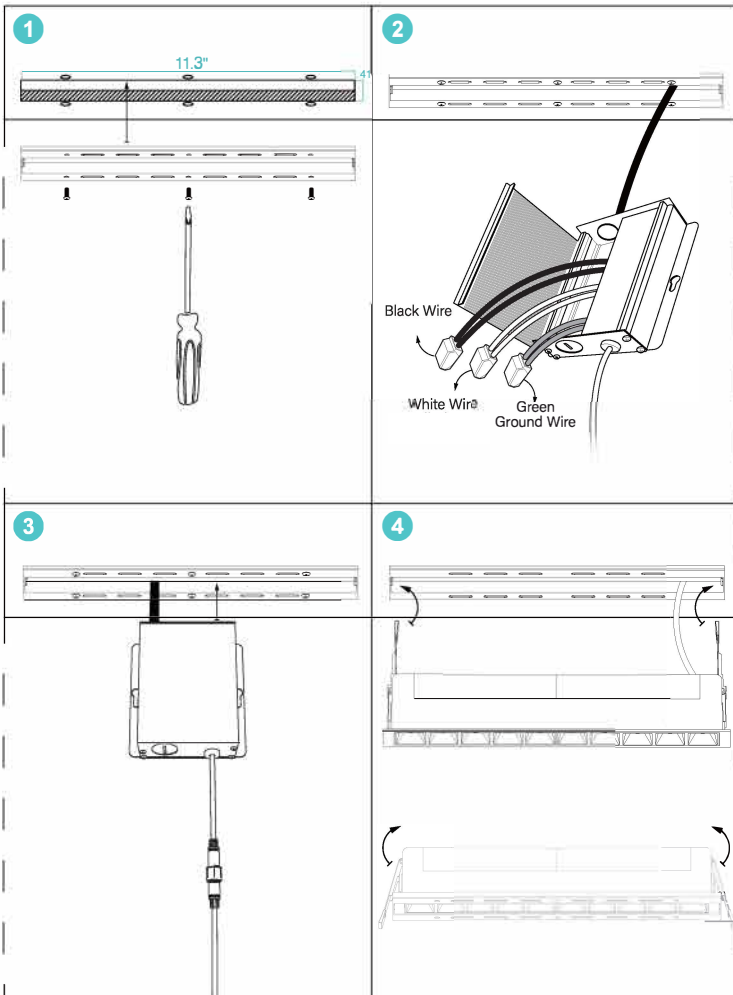
10 Cells

Trimless Micro Ray Downlight

- Durable airtight aluminum body
- Type IC, Damp Location - No Housing Required
- Flangeless installation, provide a more high end looking
- No housing required, easy and fast installation
- 100%-10% dimming capability. This fixture is compatible with industry standard forward-phase / reverse-phase and TRIAC/ELV dimmers
- Rated for long life - over 50,000 hours



INSTALLATION



SPECIFICATIONS	
Application	Recessed Ceiling Mount
Watts	20W
CRI	90Ra+
Color Temperature(K)	3000K
Light Output(lm)	1500lm
Default Driver Input	AC120V, 60Hz
Dimming	Triac Dimming
Power Factor	>0.9
Approved Location	Damp Location
IC Rated	Yes
Operating Temp.	(-4°F~104°F) -20~40°C
Beam Angle	38°

ORDERING

MODELS	CCT	FINISH
MR10TL-20W-3D90-38-MW MR10TL-20W-3D90-38-MWB	3000K	MW(Matte White)

DIMENSIONS

