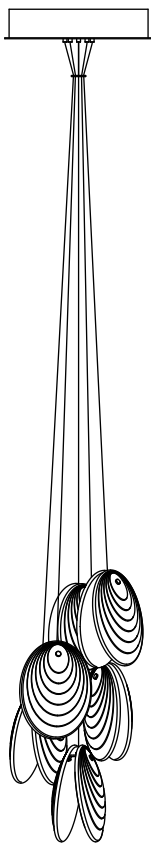


Mussels cluster 6x



loomma

Installation Manual
for Multiple Canopy

Don't throw away!

Introduction

- Please read this user's manual carefully prior to installation and follow its instructions and recommendations.
- **The installation of the pendant light requires more than one person.**
- This is a general guide. The shape and size of the ceiling canopy in the pictures of the assembly process may not correspond to the actual shape and size of the canopy you have purchased, however, the installation principle remains the same.
- For safety reasons, as well as for warranty purposes, it is forbidden to use this product in breach of this manual and other purposes stipulated in this manual.
- Prior to assembly, use an appropriate circuit breaker to turn off electricity.
- All interventions regarding the wiring of the light fixture may only be carried out by a qualified electrician.
- The producer bears no liability for damage caused by improper installation.
- The surface of the mounting may also include minor imperfections due to manual production.
- The pendant light is intended for interior lighting.
- The producer reserves the right to make minor changes to the construction of the light fixture without prior notice.

Components included in the package

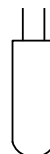
- Moulded glass part of the light fixture (12x)
- Mounting (6x)
- Allen key
- Special tool for screw tightening
- Dimmable light source (6x)
- Installation manual
- Maintenance instructions
- Installation manual for the transformer
- Gloves

Technical parameters, specifications

- Voltage input: 12 V AC/DC 0/50-60 Hz
- Protection: IP 20
- Input power: 1x LED lamp max. 3 W (G4)
- Cable length: 2,5 m
- Weight: ~ 1,5 kg
- Size: 146 x 106 x 203 mm
- Light source: G4, 1,2W LED, 100 lm, 2700 K, RA 90+
- Class: III.

Recommended light source: LED G4, max. 3 W.
Recommended transformer: LPV-20-12, 20W, 12VDC
Recommended controller: LP-CONTROLLER-4in1

∅ 10 mm
↑↓ 28 mm



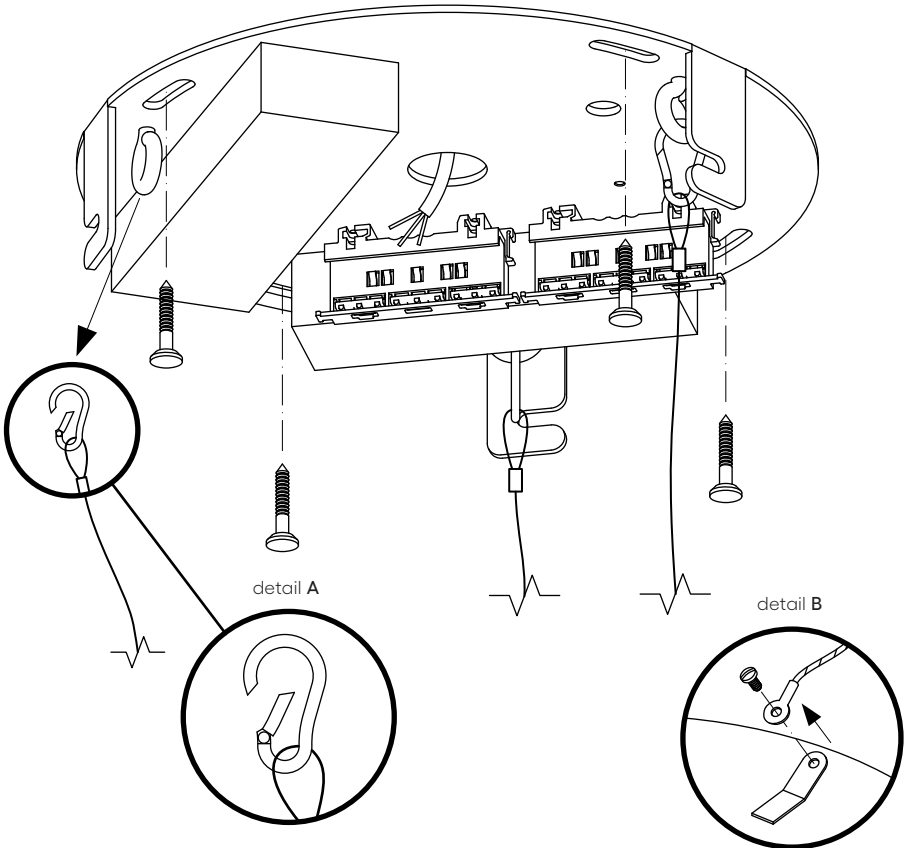
1

All interventions in the electrical installation of the light fixture, including its connection, shall be exclusively carried out by a qualified electrician. Before installation, turn off the power supply with the appropriate circuit breaker.

Before you start, see the Recommended Anchoring examples (p. 3).

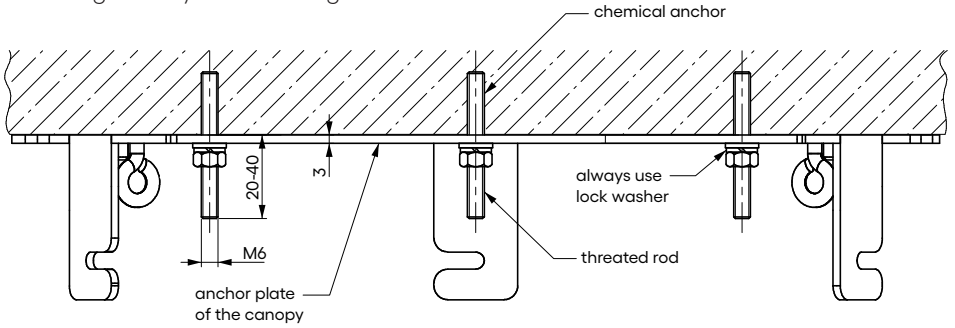
Place the glasses on the mountings only after the installation of the canopy is complete (step 12).

Define the place on the ceiling where you want to place the light fixture. For easier handling, detach the canopy from the anchor plate using snap-hooks (detail A). Before doing so, unscrew the ground cable from the canopy (detail B). Thread the anchor plate over the supply wire from the ceiling and fasten it in compliance with safety and local standards in a manner appropriate to the weight of the light fixture (+13kg) and the material of the ceiling (anchoring material is not a part of the package). Bomma bears no responsibility for the chosen solution or its implementation. Use the snap-hooks to hang the canopy on the anchor plate again. **When reconnecting make sure the red marks on the anchor plate and the canopy overlap.** Reconnect the ground wire to the canopy.

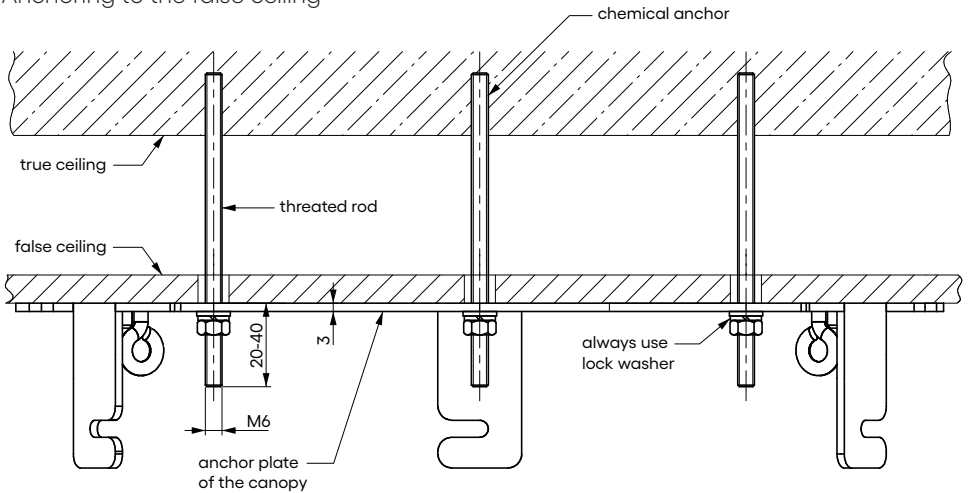


Examples of recommended fixing

1) Anchoring directly to the ceiling



2) Anchoring to the false ceiling

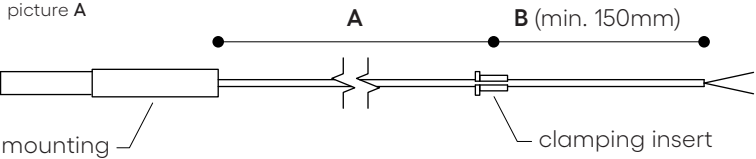


The ceiling and support preparation, the compliance with local building code and responsibility for safety, security and structural soundness is born by the client and the client's main ceiling contractor / contractors.

Bomma bears no responsibility for the preparation of the ceiling or threaded rods and accepts no responsibility for the safety of installation.

2

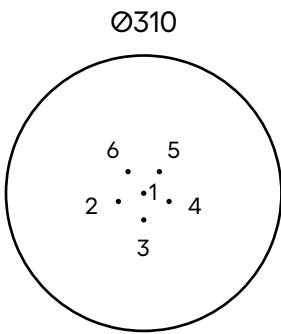
Measure the hanging length of individual light fixtures according to your preferences, or use the data from the table below for predefined long or short bunch suspension. Cable length (A) measure from the end of the mounting and thread the clamping insert over this point (picture A). Screw the corresponding glass holder onto the iron mounting (I - closed position, II - open position, picture B) and screw the locking nut (picture C).



- A:** visible cable length (data from the table)
- B:** the part of the cable that will be hidden inside the canopy

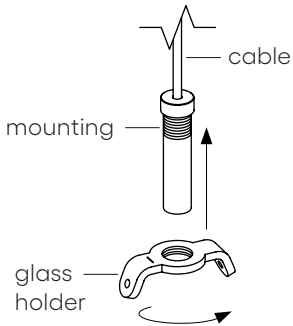
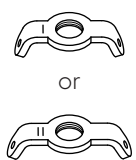
marking of the holes in the canopy

- 1: 137cm (color B, II)
- 2: 120cm (color A, I)
- 3: 104cm (color B, I)
- 4: 126cm (color A, II)
- 5: 116cm (color B, I)
- 6: 100cm (color A, II)

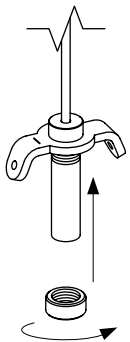


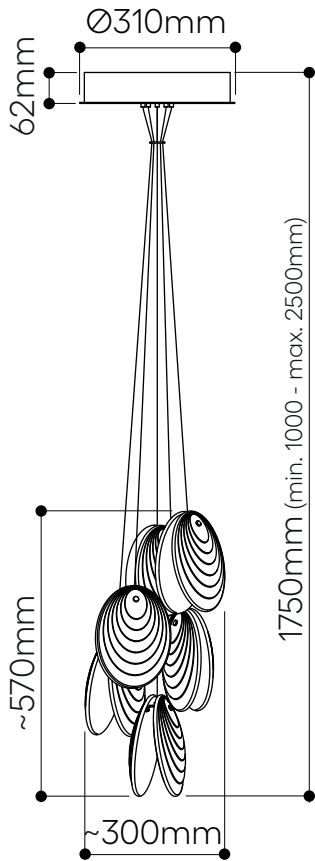
canopy height: 62 mm
 canopy weight: 4 kg
 total weight of this assembly: ~13 kg

picture B



picture C

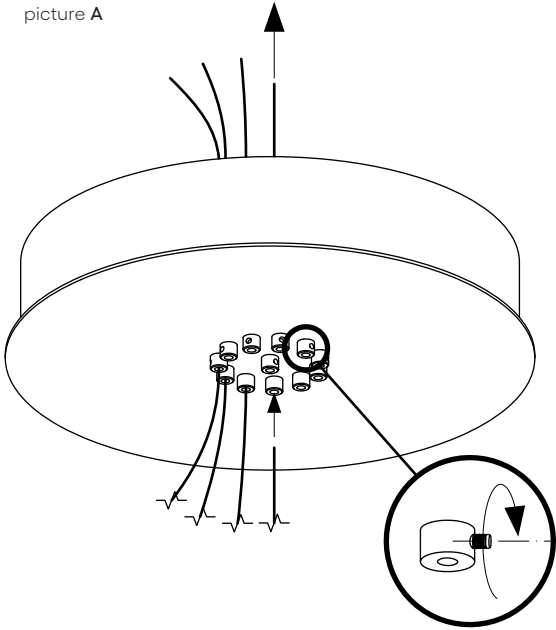




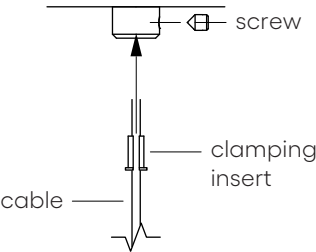
3

Thread the ends of the cable through the grommets in the canopy (picture A). Numerical designation of the cable shall match the grommet number (a sticker inside the canopy). Insert the clamping insert into the grommet (picture B) and screw in the screw so that it does not point into the groove in the clamping insert (picture C). After threading the cable through the grommet, thread the plastic safety lock onto the cable 100mm from the grommet opening (picture D). This 100mm let you to have a possible final height adjustment of the light fixture. Finally, gently pull the cable and make sure it is firmly fixed in the grommet.

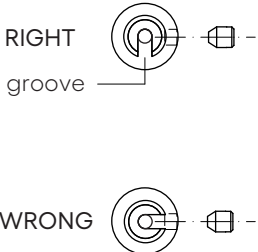
picture A



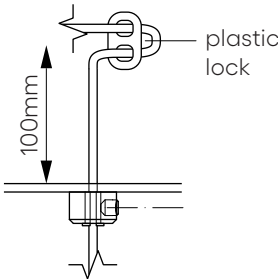
picture B



picture C

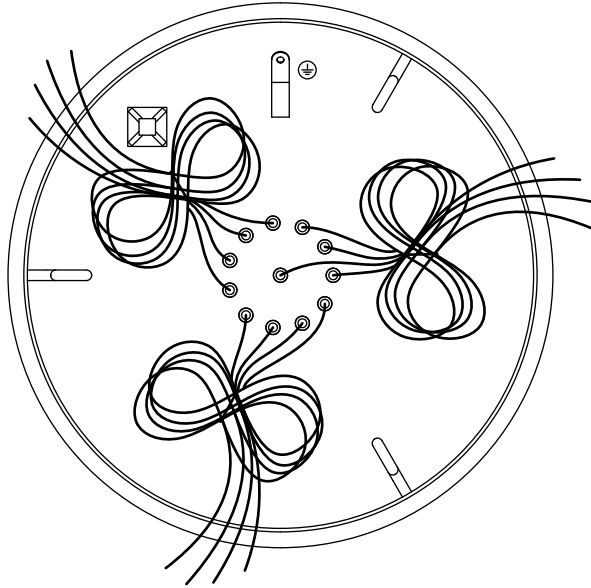


picture D



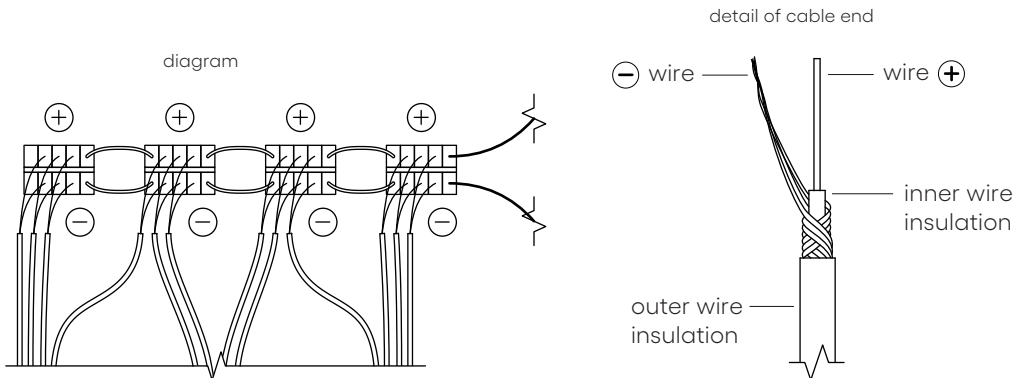
4

Twist the cables in the canopy into a figure-of-eight shape and secure them with an elastic tape against unraveling. For the variant Mussels 12 pcs and Mussels 18 pcs we recommend cables to be divided into groups of 4 or 6 before winding, see picture.



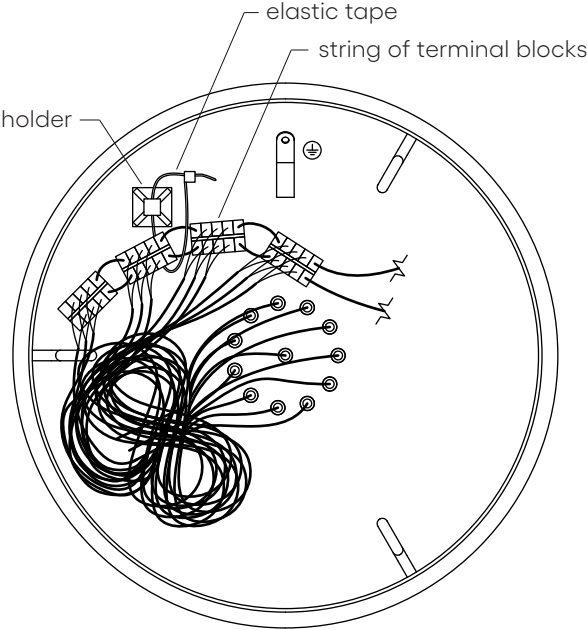
5

Plug the ends of the cables (+) and (-) into the prepared string of terminal blocks inside the canopy.



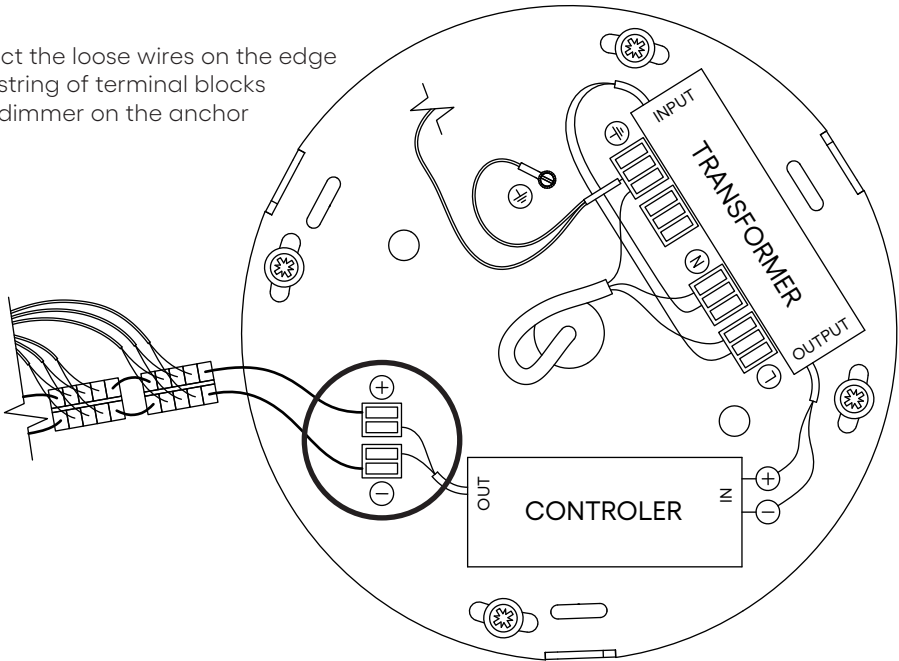
6

After connecting all the cables attach the string of terminal blocks to the holder inside the canopy using an elastic tape. Put the cables in the place marked with a sticker.



7

Connect the loose wires on the edge of the string of terminal blocks to the dimmer on the anchor plate.

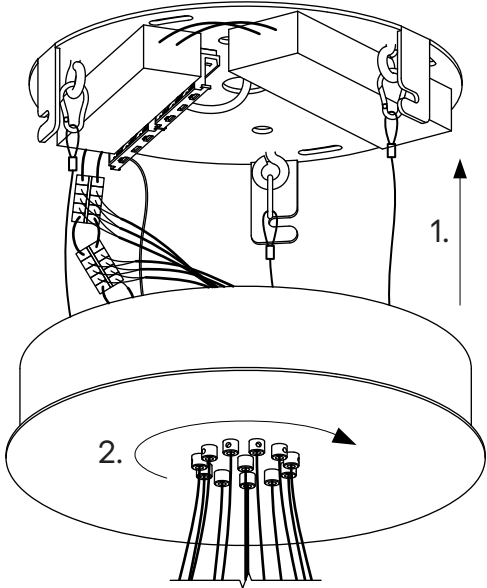


8

If you disconnected in step 1 the canopy from the anchor plate, now reattach it using snap-hooks. Don't forget to reconnect the ground cable to the canopy.

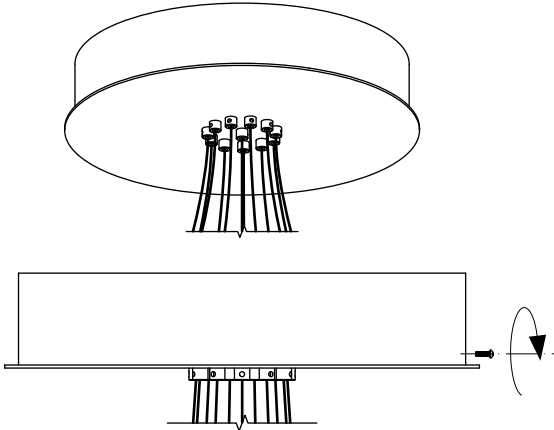
Raise the canopy, close the anchor plate with it and rotate it so that three screws on the inside of the canopy slide into the cut-out in supporting feet.

Be sure to keep the red marks on the anchor plate and the canopy overlapped.



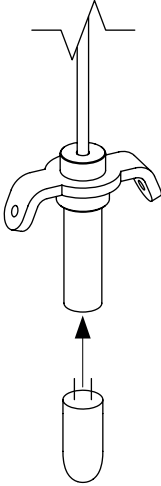
9

Screw in the locking screw completely. **If the screw cannot be screwed in completely, it means the canopy is wrong mounted on the anchor plate.**



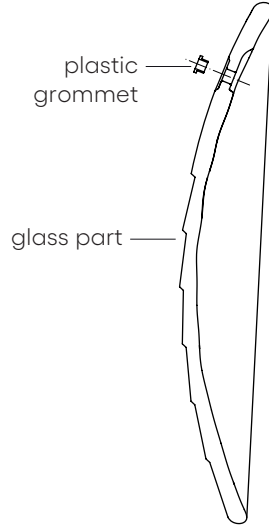
10

Insert a dimmable light source into socket.



11

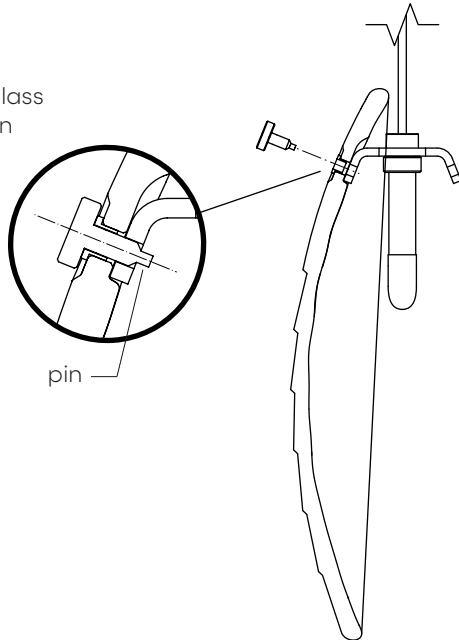
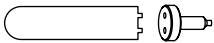
Into the holes in the glass parts insert the plastic grommets according to the picture.



12

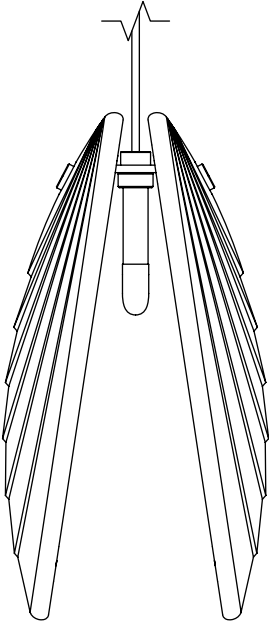
By means of a special tool screw the glass onto the holder. After tightening the pin at the end of screw shall be completely visible on the inside of the handle.

special tool



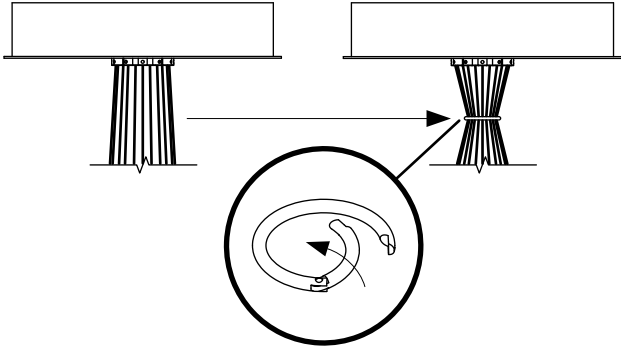
13

Place on the second glass and clean the light fixture from all fingerprints.



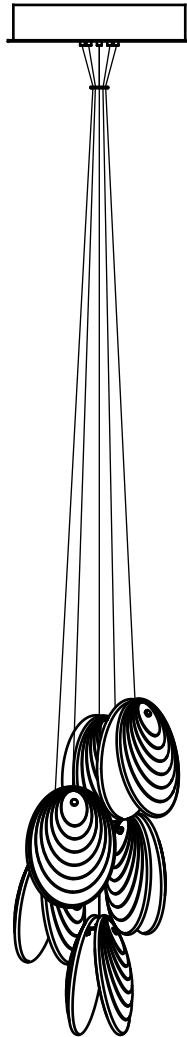
14

Pull the cables under the canopy together using a metal ring. Place the ring in any position, it works on the principle of a carabiner.



Congratulations! You may now reconnect the power and turn the light on.

When dismantling, first turn off the light and disconnect from the power supply. Then follow the above steps in reverse order. Use the original or similar packaging for possible later transport of the light fixture to prevent damage.



Maintenance

- When unpacking, assembling and cleaning the product, handle the individual parts with extra care, especially the glass parts which are very fragile.
- The assembly and wiring of the luminaire must be carried out by an authorized person.
- The pendant luminaire is intended for indoor use.
- We recommend consulting the suitability of the location and fixing of pendant luminaires to the ceiling material with a project manager, an engineer or other competent person.
- Do not cover the light source or touch the light source when the light is on.
- Do not make any repairs or changes to the components. Contact a specialist service center.
- Do not use any spare parts which have not been supplied or approved by the manufacturer (except for light sources).
- Do not expose the luminaire to an unsuitable environment where it might get damaged (water, heat, frost).
- Before servicing or cleaning pendant luminaires ensure sufficient access (ladder, scaffolding, mounting platform,...) so that you can reach and safely manipulate with the luminaire.
- **Warning:** the luminaire may in some parts have sharp edges which may cause injury. Take extra care when moving in close proximity to them.
- Any cleaning and maintenance should be carried out with the luminaire switched off and preferably disconnected (please mind this warning throughout the installation.)
- When changing a bulb, always disconnect the luminaire from the power supply.
- It is recommended to hang the luminaire at a sufficient height to avoid injury (such as head injury) to persons moving near the luminaire.
- It is recommended to install pendant luminaires in more than one person.
- After installing the luminaire, check that it is correctly and securely fixed to its base.
- Do not expose the luminaire to unreasonable loads, protect the luminaire from mechanical damage.
- The light source heats up during operation. Before starting any operation, wait until the light source cools down spontaneously _do not expose to rapid cooling_.
- Halogen light sources must not come into contact with oily materials, so do not touch them with bare hands. Install them using clean textile gloves or a clean cloth. To clean a halogen bulb, it is best to use alcohol-based products.
- When replacing the bulb, use the same or recommended light source (information about the type is on the label or in the installation instructions).
- Do not hang any other components on the luminaire in conflict with the manufacturer's installation instructions.
- Pay attention to checking all parts before their installation. Damaged components and glass parts _fragmentation, cracks_ can cause bodily injury to persons in their vicinity.
- Contact the manufacturer if a serious problem occurs during cleaning or maintenance of the luminaire.
- Any other manipulation with the luminaire should be carried out by qualified personnel or directly by the manufacturer.

Cleaning

- Any cleaning and maintenance should be carried out with the luminaire switched off and preferably disconnected.
- When cleaning, wear white gloves made of soft cotton cloth. In particular, do not touch the plated crystal without gloves. This will prevent the formation of impressions, loss of luster and color.
- Use a soft duster to clean the metal parts. Metal parts can be cleaned with dry or dampened duster in lukewarm demineralized water. When cleaning the parts, do not under any circumstances use solvents, technical gasoline, technical cleaners, peroxides or alkalis. Avoid alcoholic agents, which could cause the change of surface color.
- Clean the bulb with a soft damp cotton cloth, an anti-static soft-bristled brush or a vacuum cleaner on the low setting.
- Clean the stainless steel surfaces with special products, sold for this purpose.
- To clean the glass parts, use a mild cotton cloth, dry or moistened in lukewarm demineralized water, or a duster. Immediately after cleaning, dry the product completely so that no drops of water remain on the product, and carefully hang it back up.
- Take extra care when cleaning the individual parts of the luminaire that cannot be disconnected. Excessive handling might result in loosening or chipping.
- Do not use a dishwasher to wash any removable parts of the luminaire.

Important notice

- The manufacturer accepts no liability for damage resulting from improper installation, improper handling of the luminaire, including installation combined with accessories other than those recommended by the manufacturer.
- The manufacturer accepts no liability for damage resulting from unprofessional tampering with the fixings and safety features of the luminaire or for damage to the product caused by improper power supply voltage, storage or use of the luminaire in damp environment.
- Do not store the pendant luminaire in a damp environment, near a boiler, trap or other sources of steam. Do not place the luminaire over a bathtub in bathrooms and do not touch the luminaire if you are in contact with water.
- The manufacturer reserves the right to make minor variations in the design of the luminaire without prior notice.

Disposal

Upon the expiration of the product's shelf life, proceed in accordance to legal regulations for environmental protection and public health safety.

Waste Materials Catalog

Number	Category	Name
10 11 11*	N	Waste glass in small particles and glass powder containing heavy metals
10 11 12	O	Waste glass other than those mentioned in 10 11 11
17 04 01	O	Copper, bronze, brass
17 04 05	O	Iron and steel
20 01 01	O	Paper and cardboard
15 01 05	O	Composite packaging

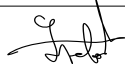
Contact

BMRC GROUP s.r.o.
Hvězdova 1716/2b
140 78 Praha
Czech Republic
+420 569 453 149
info@bomma.cz
www.bomma.cz

Instagram bomma_cz

Facebook bommacz

bomma.cz

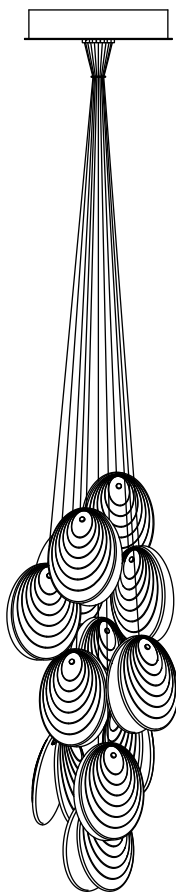
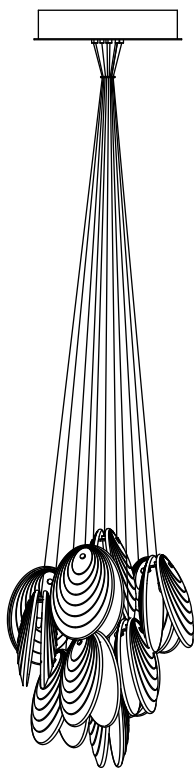
drawn by	approved by	revision	date	signature
Karel Jankovský	Ota Svoboda	1	06. 2022	

Control

Date of packaging

step beyond

Mussels cluster 12x



loomma

Installation Manual
for Multiple Canopy

Don't throw away!

Introduction

- Please read this user's manual carefully prior to installation and follow its instructions and recommendations.
- **The installation of the pendant light requires more than one person.**
- This is a general guide. The shape and size of the ceiling canopy in the pictures of the assembly process may not correspond to the actual shape and size of the canopy you have purchased, however, the installation principle remains the same.
- For safety reasons, as well as for warranty purposes, it is forbidden to use this product in breach of this manual and other purposes stipulated in this manual.
- Prior to assembly, use an appropriate circuit breaker to turn off electricity.
- All interventions regarding the wiring of the light fixture may only be carried out by a qualified electrician.
- The producer bears no liability for damage caused by improper installation.
- The surface of the mounting may also include minor imperfections due to manual production.
- The pendant light is intended for interior lighting.
- The producer reserves the right to make minor changes to the construction of the light fixture without prior notice.

Components included in the package

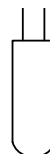
- Moulded glass part of the light fixture (24x)
- Mounting (12x)
- Allen key
- Special tool for screw tightening
- Dimmable light source (12x)
- Installation manual
- Maintenance instructions
- Installation manual for the transformer
- Gloves

Technical parameters, specifications

- Voltage input: 12 V AC/DC 0/50-60 Hz
- Protection: IP 20
- Input power: 1x LED lamp max. 3 W (G4)
- Cable length: 2,5 m
- Weight: ~ 1,5 kg
- Size: 146 x 106 x 203 mm
- Light source: G4, 1,2W LED, 100 lm, 2700 K, RA 90+
- Class: III.

Recommended light source: LED G4, max. 3 W.
Recommended transformer: LPV-20-12, 20W, 12VDC
Recommended controller: LP-CONTROLLER-4in1

∅ 10 mm
↑↓ 28 mm



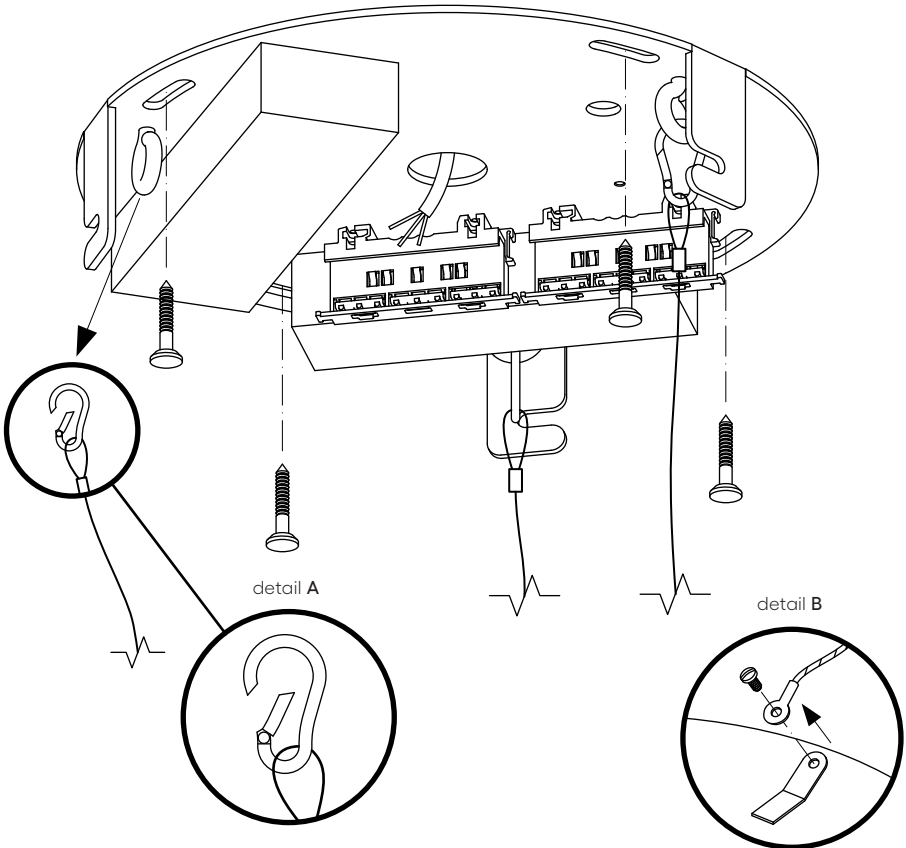
1

All interventions in the electrical installation of the light fixture, including its connection, shall be exclusively carried out by a qualified electrician. Before installation, turn off the power supply with the appropriate circuit breaker.

Before you start, see the Recommended Anchoring examples (p. 3).

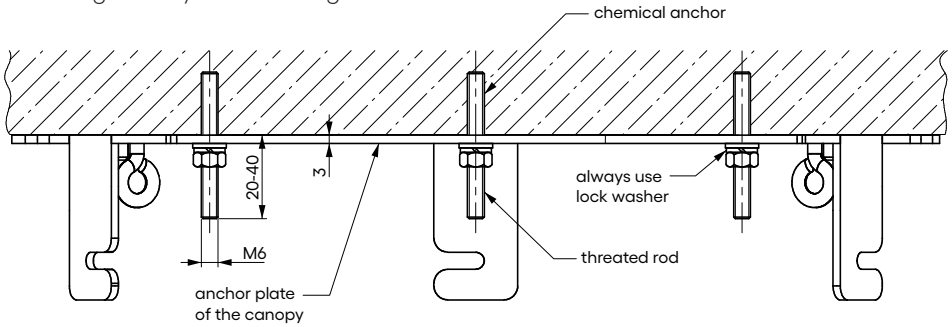
Place the glasses on the mountings only after the installation of the canopy is complete (step 12).

Define the place on the ceiling where you want to place the light fixture. For easier handling, detach the canopy from the anchor plate using snap-hooks (detail A). Before doing so, unscrew the ground cable from the canopy (detail B). Thread the anchor plate over the supply wire from the ceiling and fasten it in compliance with safety and local standards in a manner appropriate to the weight of the light fixture (+22kg) and the material of the ceiling (anchoring material is not a part of the package). Bomma bears no responsibility for the chosen solution or its implementation. Use the snap-hooks to hang the canopy on the anchor plate again. **When reconnecting make sure the red marks on the anchor plate and the canopy overlap.** Reconnect the ground wire to the canopy.

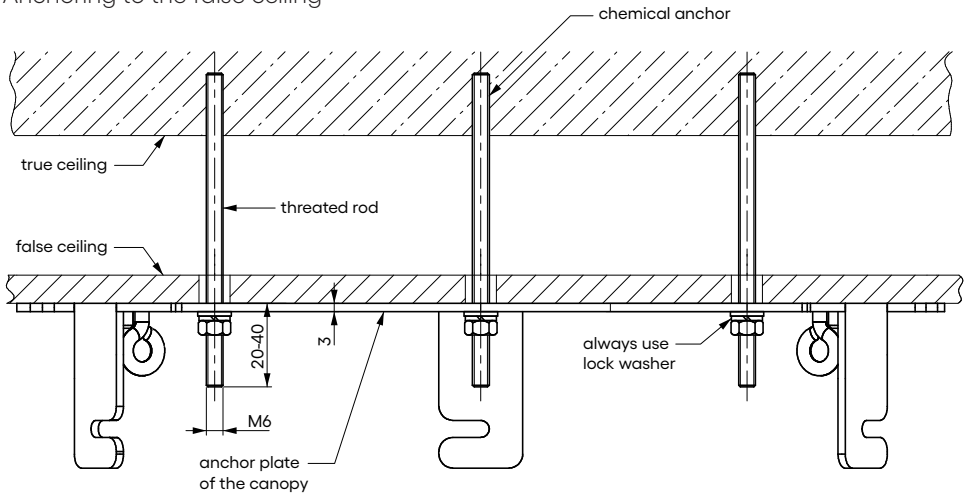


Examples of recommended fixing

1) Anchoring directly to the ceiling



2) Anchoring to the false ceiling

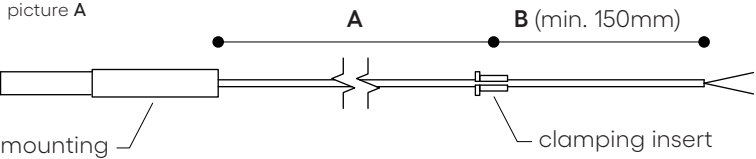


The ceiling and support preparation, the compliance with local building code and responsibility for safety, security and structural soundness is born by the client and the client's main ceiling contractor / contractors.

Bomma bears no responsibility for the preparation of the ceiling or threaded rods and accepts no responsibility for the safety of installation.

2

Measure the hanging length of individual light fixtures according to your preferences, or use the data from the table below for predefined long or short bunch suspension. Cable length (A) measure from the end of the mounting and thread the clamping insert over this point (picture A). Screw the corresponding glass holder onto the iron mounting (I - closed position, II - open position, picture B) and screw the locking nut (picture C).

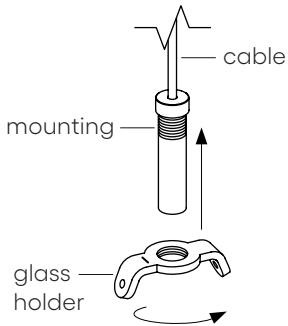
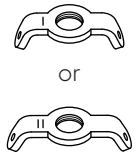


- A:** visible cable length (data from the table)
- B:** the part of the cable that will be hidden inside the canopy

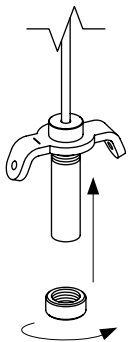
long suspension	marking of the holes in the canopy	short suspension
<ul style="list-style-type: none"> 1: 178cm (color B, II) 2: 129cm (color B, II) 3: 168cm (color B, II) 4: 136cm (color A, II) 5: 153cm (color A, I) 6: 124cm (color B, II) 7: 172cm (color A, I) 8: 150cm (color A, II) 9: 132cm (color A, I) 10: 161cm (color B, I) 11: 115cm (color A, I) 12: 146cm (color B, I) 	<p>Ø310</p>	<ul style="list-style-type: none"> 1: 134cm (color B, I) 2: 110cm (color B, II) 3: 126cm (color A, II) 4: 124cm (color A, I) 5: 110cm (color B, II) 6: 111cm (color A, I) 7: 124cm (color B, II) 8: 105cm (color A, II) 9: 111cm (color B, II) 10: 114cm (color A, I) 11: 130cm (color B, II) 12: 118cm (color A, I)

canopy height: 62 mm
 canopy weight: 4 kg
 total weight of this assembly: ~22 kg

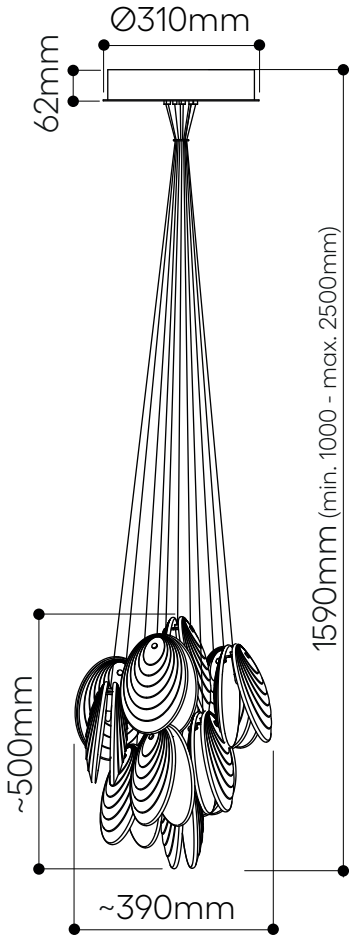
picture B



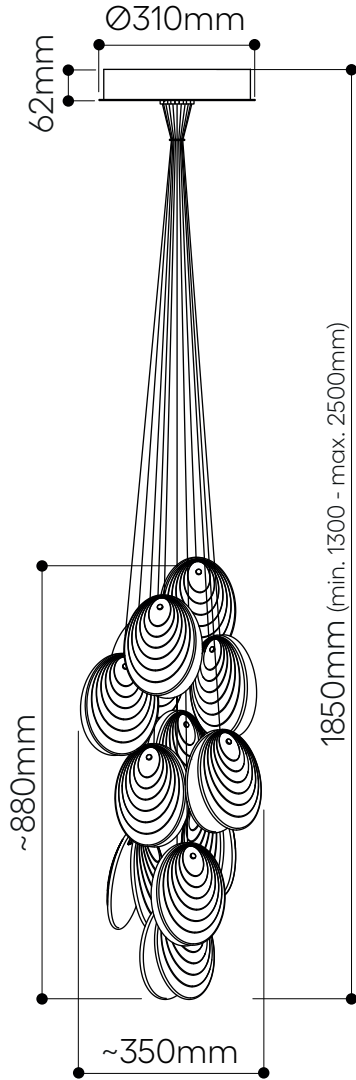
picture C



short suspension



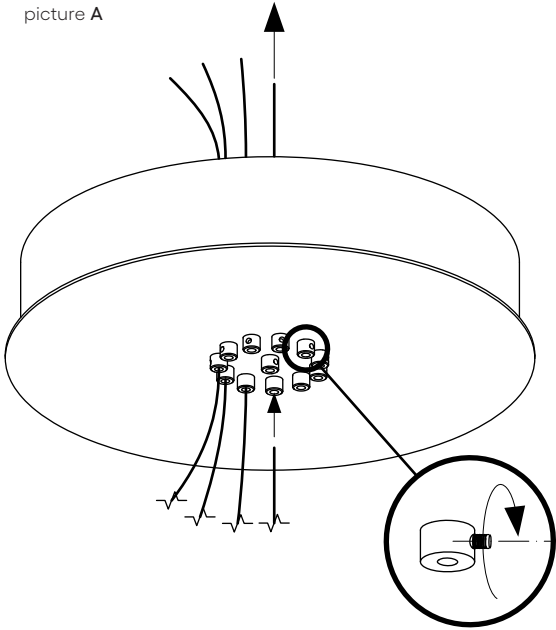
long suspension



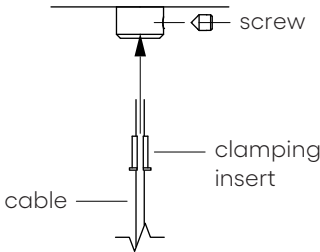
3

Thread the ends of the cable through the grommets in the canopy (picture A). Numerical designation of the cable shall match the grommet number (a sticker inside the canopy). Insert the clamping insert into the grommet (picture B) and screw in the screw so that it does not point into the groove in the clamping insert (picture C). After threading the cable through the grommet, thread the plastic safety lock onto the cable 100mm from the grommet opening (picture D). This 100mm let you to have a possible final height adjustment of the light fixture. Finally, gently pull the cable and make sure it is firmly fixed in the grommet.

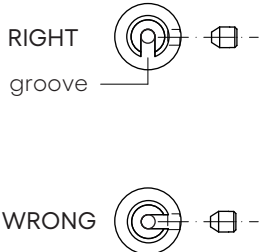
picture A



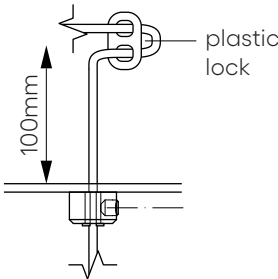
picture B



picture C

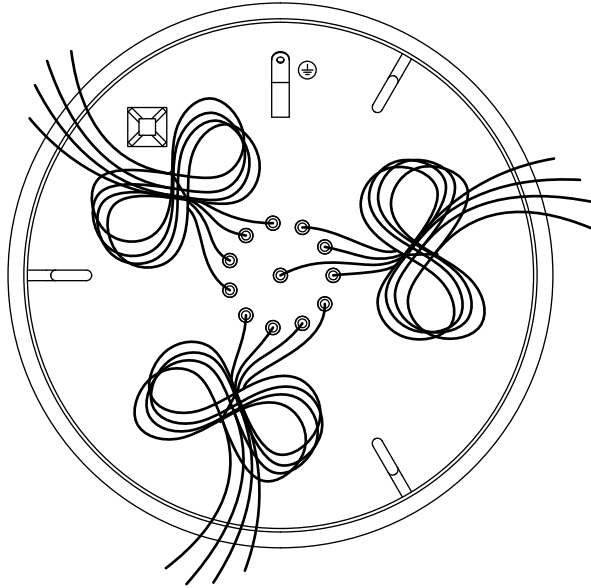


picture D



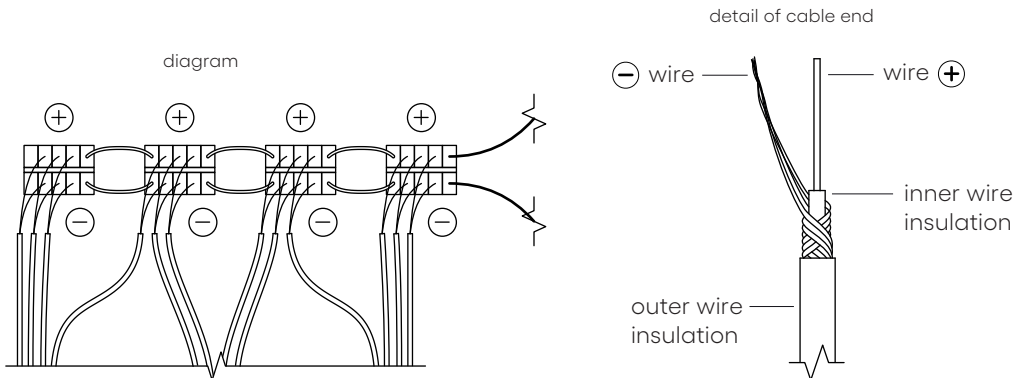
4

Twist the cables in the canopy into a figure-of-eight shape and secure them with an elastic tape against unraveling. For the variant Mussels 12 pcs and Mussels 18 pcs we recommend cables to be divided into groups of 4 or 6 before winding, see picture.



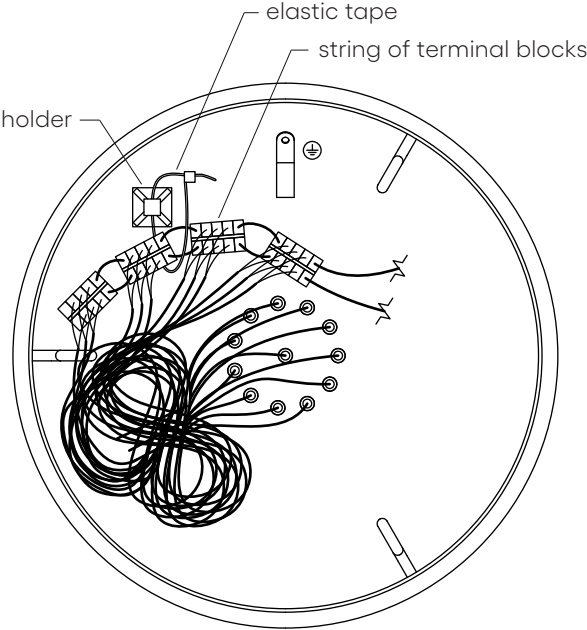
5

Plug the ends of the cables (+) and (-) into the prepared string of terminal blocks inside the canopy.



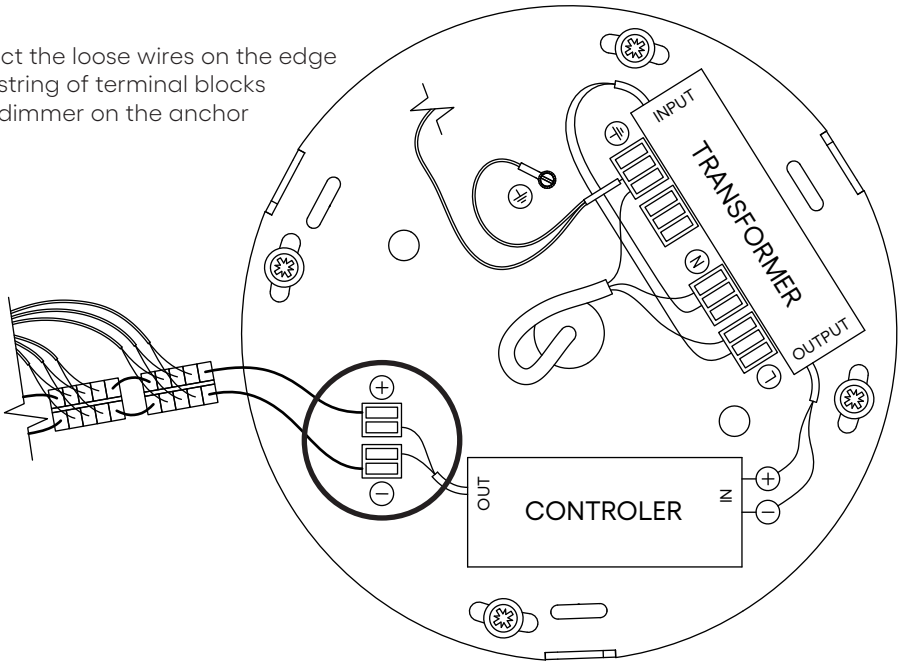
6

After connecting all the cables attach the string of terminal blocks to the holder inside the canopy using an elastic tape. Put the cables in the place marked with a sticker.



7

Connect the loose wires on the edge of the string of terminal blocks to the dimmer on the anchor plate.

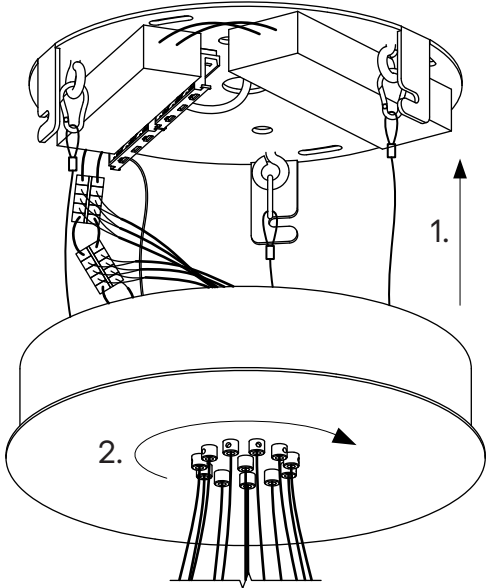


8

If you disconnected in step 1 the canopy from the anchor plate, now reattach it using snap-hooks. Don't forget to reconnect the ground cable to the canopy.

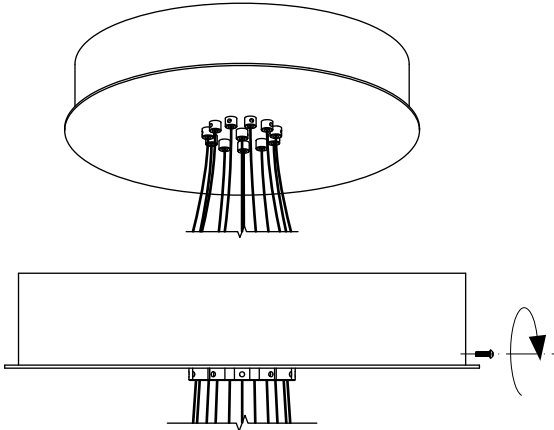
Raise the canopy, close the anchor plate with it and rotate it so that three screws on the inside of the canopy slide into the cut-out in supporting feet.

Be sure to keep the red marks on the anchor plate and the canopy overlapped.



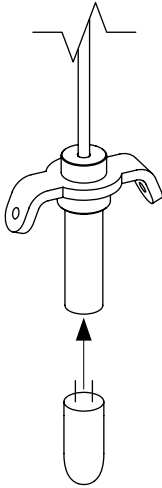
9

Screw in the locking screw completely. **If the screw cannot be screwed in completely, it means the canopy is wrong mounted on the anchor plate.**



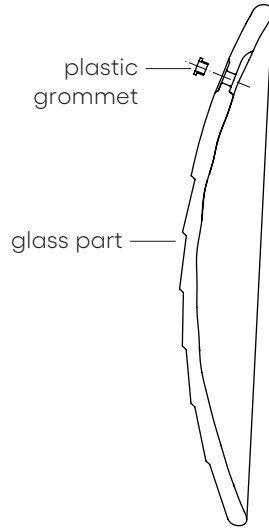
10

Insert a dimmable light source into socket.



11

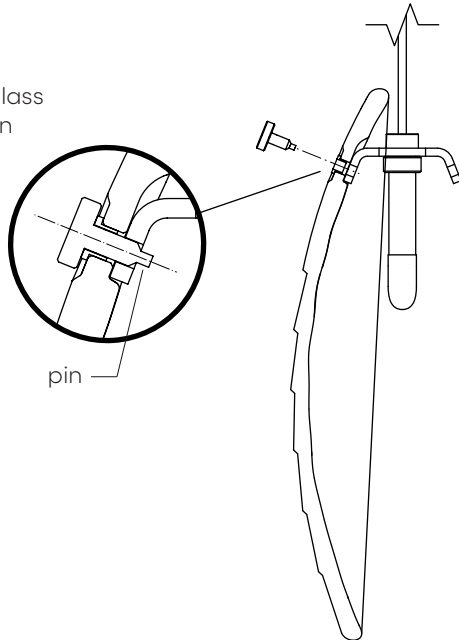
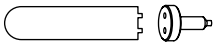
Into the holes in the glass parts insert the plastic grommets according to the picture.



12

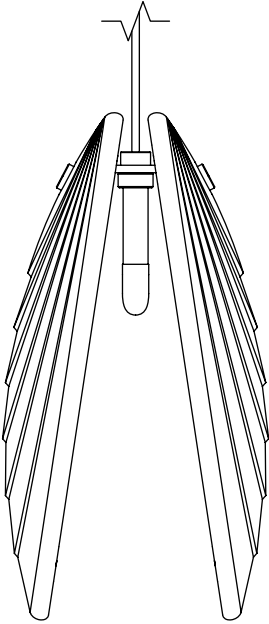
By means of a special tool screw the glass onto the holder. After tightening the pin at the end of screw shall be completely visible on the inside of the handle.

special tool



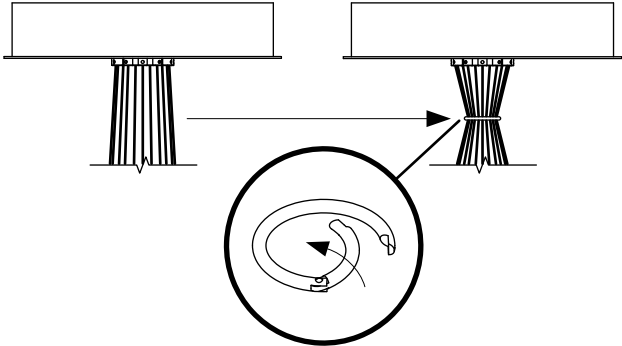
13

Place on the second glass and clean the light fixture from all fingerprints.



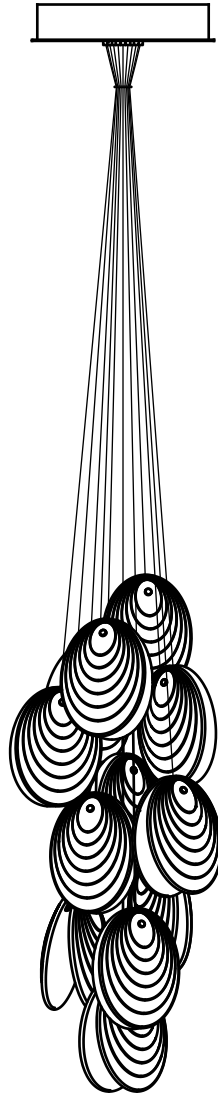
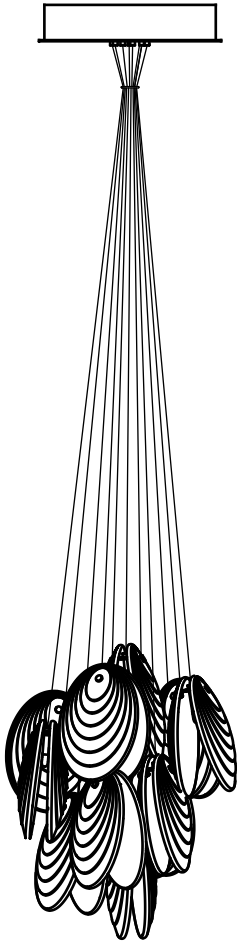
14

Pull the cables under the canopy together using a metal ring. Place the ring in any position, it works on the principle of a carabiner.



Congratulations! You may now reconnect the power and turn the light on.

When dismantling, first turn off the light and disconnect from the power supply. Then follow the above steps in reverse order. Use the original or similar packaging for possible later transport of the light fixture to prevent damage.



Maintenance

- When unpacking, assembling and cleaning the product, handle the individual parts with extra care, especially the glass parts which are very fragile.
- The assembly and wiring of the luminaire must be carried out by an authorized person.
- The pendant luminaire is intended for indoor use.
- We recommend consulting the suitability of the location and fixing of pendant luminaires to the ceiling material with a project manager, an engineer or other competent person.
- Do not cover the light source or touch the light source when the light is on.
- Do not make any repairs or changes to the components. Contact a specialist service center.
- Do not use any spare parts which have not been supplied or approved by the manufacturer (except for light sources).
- Do not expose the luminaire to an unsuitable environment where it might get damaged (water, heat, frost).
- Before servicing or cleaning pendant luminaires ensure sufficient access (ladder, scaffolding, mounting platform,...) so that you can reach and safely manipulate with the luminaire.
- **Warning:** the luminaire may in some parts have sharp edges which may cause injury. Take extra care when moving in close proximity to them.
- Any cleaning and maintenance should be carried out with the luminaire switched off and preferably disconnected (please mind this warning throughout the installation.)
- When changing a bulb, always disconnect the luminaire from the power supply.
- It is recommended to hang the luminaire at a sufficient height to avoid injury (such as head injury) to persons moving near the luminaire.
- It is recommended to install pendant luminaires in more than one person.
- After installing the luminaire, check that it is correctly and securely fixed to its base.
- Do not expose the luminaire to unreasonable loads, protect the luminaire from mechanical damage.
- The light source heats up during operation. Before starting any operation, wait until the light source cools down spontaneously _do not expose to rapid cooling_.
- Halogen light sources must not come into contact with oily materials, so do not touch them with bare hands. Install them using clean textile gloves or a clean cloth. To clean a halogen bulb, it is best to use alcohol-based products.
- When replacing the bulb, use the same or recommended light source (information about the type is on the label or in the installation instructions).
- Do not hang any other components on the luminaire in conflict with the manufacturer's installation instructions.
- Pay attention to checking all parts before their installation. Damaged components and glass parts _fragmentation, cracks_ can cause bodily injury to persons in their vicinity.
- Contact the manufacturer if a serious problem occurs during cleaning or maintenance of the luminaire.
- Any other manipulation with the luminaire should be carried out by qualified personnel or directly by the manufacturer.

Cleaning

- Any cleaning and maintenance should be carried out with the luminaire switched off and preferably disconnected.
- When cleaning, wear white gloves made of soft cotton cloth. In particular, do not touch the plated crystal without gloves. This will prevent the formation of impressions, loss of luster and color.
- Use a soft duster to clean the metal parts. Metal parts can be cleaned with dry or dampened duster in lukewarm demineralized water. When cleaning the parts, do not under any circumstances use solvents, technical gasoline, technical cleaners, peroxides or alkalis. Avoid alcoholic agents, which could cause the change of surface color.
- Clean the bulb with a soft damp cotton cloth, an anti-static soft-bristled brush or a vacuum cleaner on the low setting.
- Clean the stainless steel surfaces with special products, sold for this purpose.
- To clean the glass parts, use a mild cotton cloth, dry or moistened in lukewarm demineralized water, or a duster. Immediately after cleaning, dry the product completely so that no drops of water remain on the product, and carefully hang it back up.
- Take extra care when cleaning the individual parts of the luminaire that cannot be disconnected. Excessive handling might result in loosening or chipping.
- Do not use a dishwasher to wash any removable parts of the luminaire.

Important notice

- The manufacturer accepts no liability for damage resulting from improper installation, improper handling of the luminaire, including installation combined with accessories other than those recommended by the manufacturer.
- The manufacturer accepts no liability for damage resulting from unprofessional tampering with the fixings and safety features of the luminaire or for damage to the product caused by improper power supply voltage, storage or use of the luminaire in damp environment.
- Do not store the pendant luminaire in a damp environment, near a boiler, trap or other sources of steam. Do not place the luminaire over a bathtub in bathrooms and do not touch the luminaire if you are in contact with water.
- The manufacturer reserves the right to make minor variations in the design of the luminaire without prior notice.

Disposal

Upon the expiration of the product's shelf life, proceed in accordance to legal regulations for environmental protection and public health safety.

Waste Materials Catalog

Number	Category	Name
10 11 11*	N	Waste glass in small particles and glass powder containing heavy metals
10 11 12	O	Waste glass other than those mentioned in 10 11 11
17 04 01	O	Copper, bronze, brass
17 04 05	O	Iron and steel
20 01 01	O	Paper and cardboard
15 01 05	O	Composite packaging

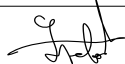
Contact

BMRC GROUP s.r.o.
Hvězdova 1716/2b
140 78 Praha
Czech Republic
+420 569 453 149
info@bomma.cz
www.bomma.cz

Instagram bomma_cz

Facebook bommacz

bomma.cz

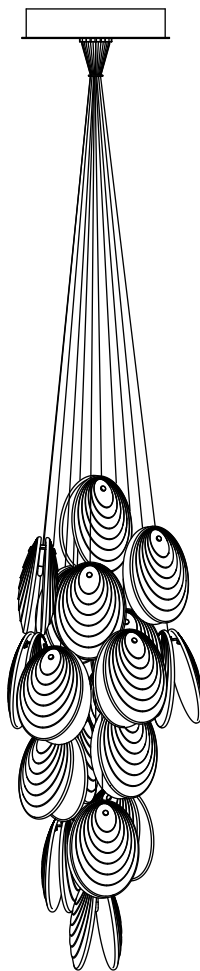
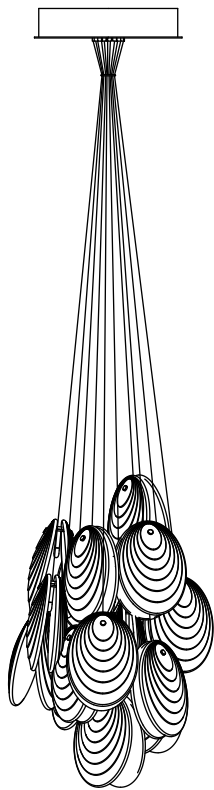
drawn by	approved by	revision	date	signature
Karel Jankovský	Ota Svoboda	1	06. 2022	

Control

Date of packaging

step beyond

Mussels cluster 18x



loomma

Installation Manual
for Multiple Canopy

Don't throw away!

Introduction

- Please read this user's manual carefully prior to installation and follow its instructions and recommendations.
- **The installation of the pendant light requires more than one person.**
- This is a general guide. The shape and size of the ceiling canopy in the pictures of the assembly process may not correspond to the actual shape and size of the canopy you have purchased, however, the installation principle remains the same.
- For safety reasons, as well as for warranty purposes, it is forbidden to use this product in breach of this manual and other purposes stipulated in this manual.
- Prior to assembly, use an appropriate circuit breaker to turn off electricity.
- All interventions regarding the wiring of the light fixture may only be carried out by a qualified electrician.
- The producer bears no liability for damage caused by improper installation.
- The surface of the mounting may also include minor imperfections due to manual production.
- The pendant light is intended for interior lighting.
- The producer reserves the right to make minor changes to the construction of the light fixture without prior notice.

Components included in the package

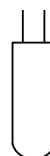
- Moulded glass part of the light fixture (36x)
- Mounting (18x)
- Allen key
- Special tool for screw tightening
- Dimmable light source (18x)
- Installation manual
- Maintenance instructions
- Installation manual for the transformer
- Gloves

Technical parameters, specifications

- Voltage input: 12 V AC/DC 0/50-60 Hz
- Protection: IP 20
- Input power: 1x LED lamp max. 3 W (G4)
- Cable length: 2,5 m
- Weight: ~ 1,5 kg
- Size: 146 x 106 x 203 mm
- Light source: G4, 1,2W LED, 100 lm, 2700 K, RA 90+
- Class: III.

Recommended light source: LED G4, max. 3 W.
Recommended transformer: LPV-20-12, 20W, 12VDC
Recommended controller: LP-CONTROLLER-4in1

∅ 10 mm
↑↓ 28 mm



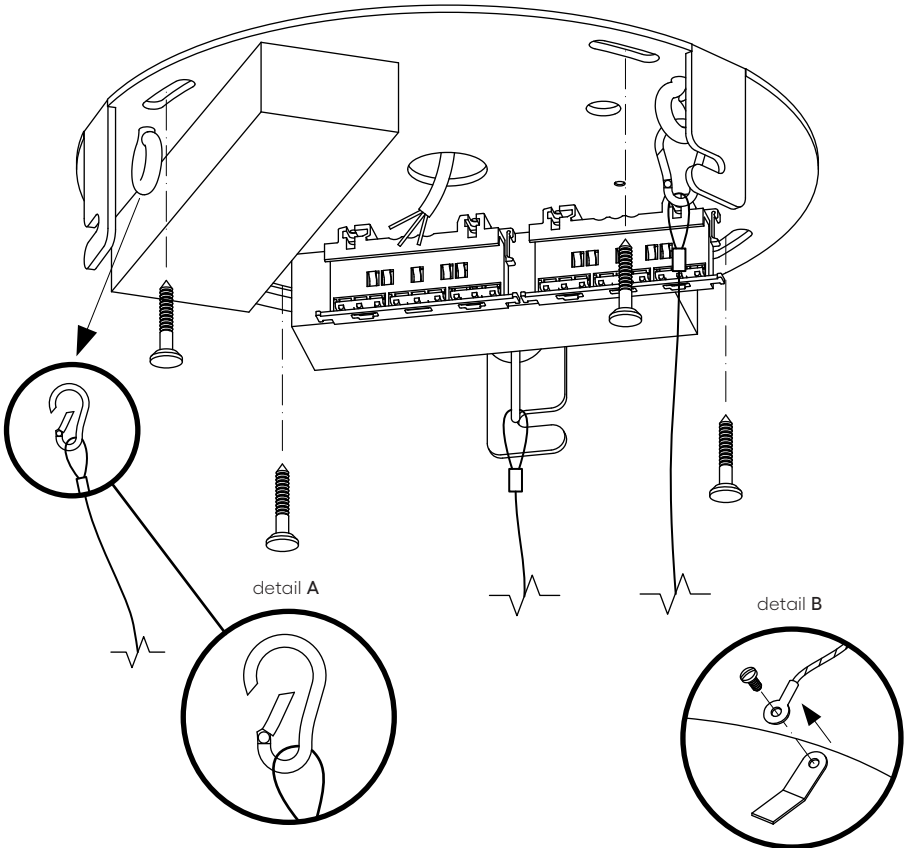
1

All interventions in the electrical installation of the light fixture, including its connection, shall be exclusively carried out by a qualified electrician. Before installation, turn off the power supply with the appropriate circuit breaker.

Before you start, see the Recommended Anchoring examples (p. 3).

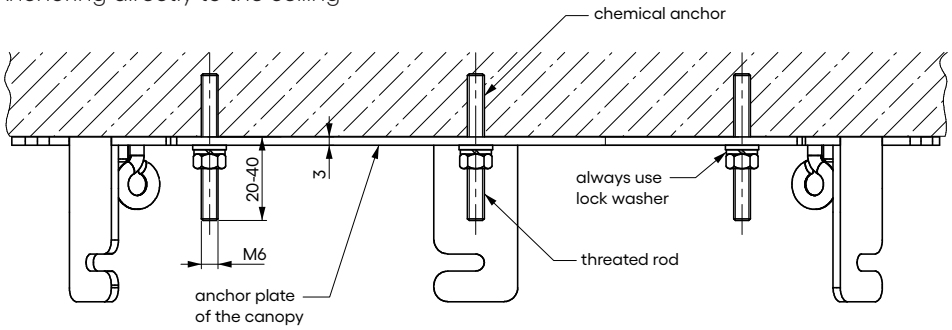
Place the glasses on the mountings only after the installation of the canopy is complete (step 12).

Define the place on the ceiling where you want to place the light fixture. For easier handling, detach the canopy from the anchor plate using snap-hooks (detail A). Before doing so, unscrew the ground cable from the canopy (detail B). Thread the anchor plate over the supply wire from the ceiling and fasten it in compliance with safety and local standards in a manner appropriate to the weight of the light fixture (+31kg) and the material of the ceiling (anchoring material is not a part of the package). Bomma bears no responsibility for the chosen solution or its implementation. Use the snap-hooks to hang the canopy on the anchor plate again. **When reconnecting make sure the red marks on the anchor plate and the canopy overlap.** Reconnect the ground wire to the canopy.

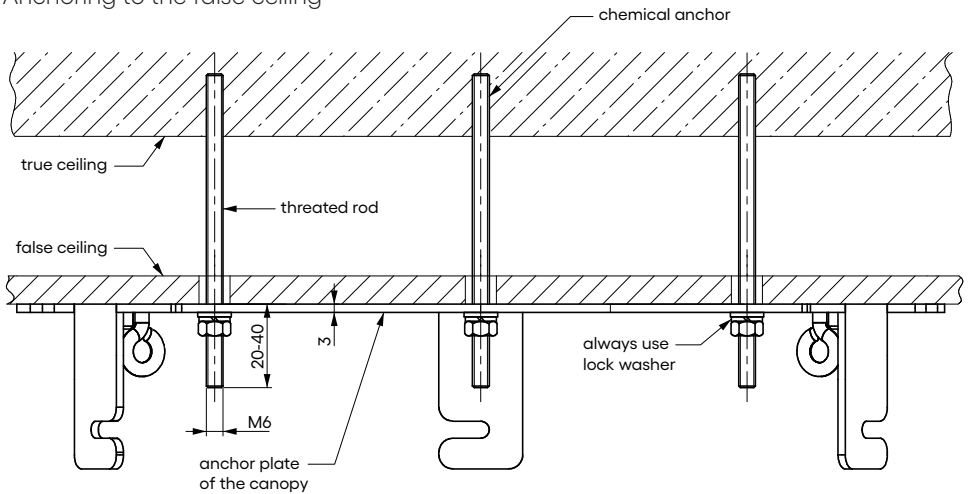


Examples of recommended fixing

1) Anchoring directly to the ceiling



2) Anchoring to the false ceiling

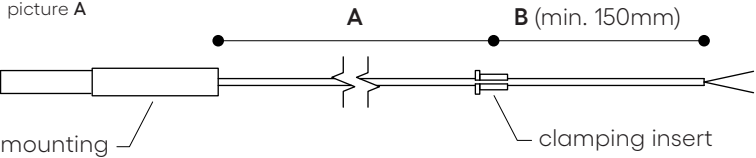


The ceiling and support preparation, the compliance with local building code and responsibility for safety, security and structural soundness is born by the client and the client's main ceiling contractor / contractors.

Bomma bears no responsibility for the preparation of the ceiling or threaded rods and accepts no responsibility for the safety of installation.

2

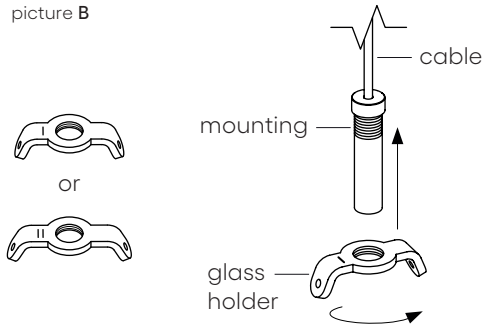
Measure the hanging length of individual light fixtures according to your preferences, or use the data from the table below for predefined long or short bunch suspension. Cable length (A) measure from the end of the mounting and thread the clamping insert over this point (picture A). Screw the corresponding glass holder onto the iron mounting (I - closed position, II - open position, picture B) and screw the locking nut (picture C).



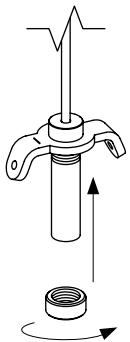
- A:** visible cable length (data from the table)
- B:** the part of the cable that will be hidden inside the canopy

long suspension	marking of the holes in the canopy	short suspension
1: 178cm (color B, II)	<p>Ø310</p>	1: 139cm (color B, II)
2: 114cm (color A, II)		2: 112cm (color A, II)
3: 143cm (color B, II)		3: 132cm (color B, II)
4: 166cm (color A, I)		4: 130cm (color A, I)
5: 128cm (color A, I)		5: 128cm (color A, I)
6: 110cm (color B, I)		6: 107cm (color B, I)
7: 147cm (color A, II)		7: 128cm (color A, II)
8: 130cm (color B, II)		8: 123cm (color B, II)
9: 113cm (color A, I)		9: 107cm (color A, I)
10: 163cm (color A, I)		10: 126cm (color A, I)
11: 127cm (color A, II)		11: 104cm (color A, II)
12: 142cm (color B, I)		12: 116cm (color B, I)
13: 106cm (color B, I)		13: 106cm (color B, I)
14: 122cm (color B, I)		14: 121cm (color B, I)
15: 128cm (color B, II)		15: 105cm (color B, II)
16: 156cm (color B, II)		16: 124cm (color B, II)
17: 134cm (color A, I)		17: 116cm (color A, I)
18: 94cm (color A, II)		18: 94cm (color A, II)
	<p>canopy height: 62 mm canopy weight: 4 kg total weight of this assembly: ~31 kg</p>	

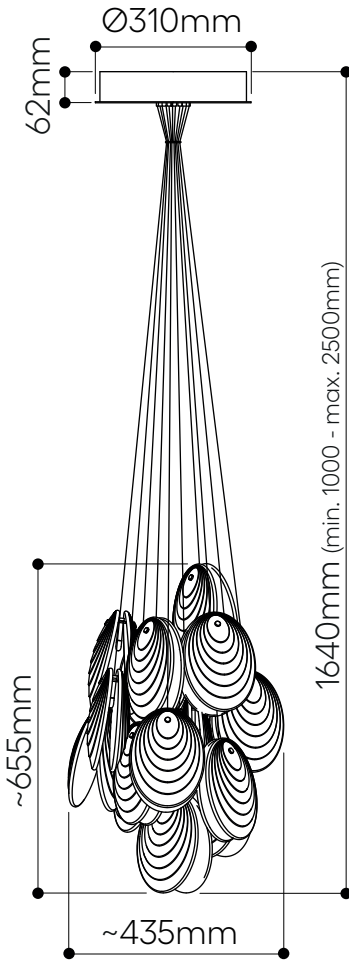
picture B



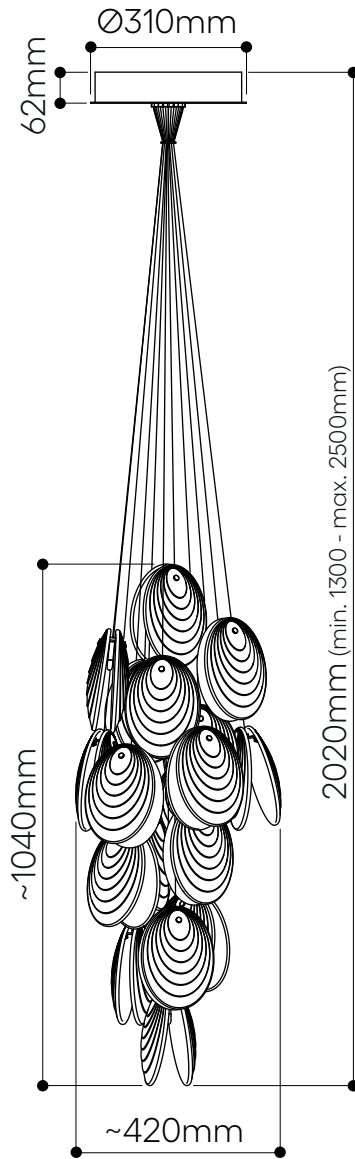
picture C



short suspension



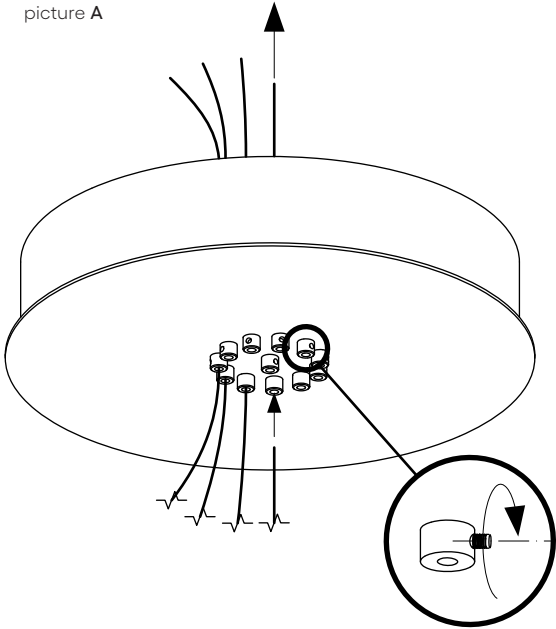
long suspension



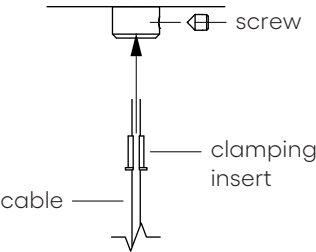
3

Thread the ends of the cable through the grommets in the canopy (picture A). Numerical designation of the cable shall match the grommet number (a sticker inside the canopy). Insert the clamping insert into the grommet (picture B) and screw in the screw so that it does not point into the groove in the clamping insert (picture C). After threading the cable through the grommet, thread the plastic safety lock onto the cable 100mm from the grommet opening (picture D). This 100mm let you to have a possible final height adjustment of the light fixture. Finally, gently pull the cable and make sure it is firmly fixed in the grommet.

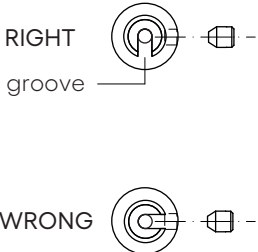
picture A



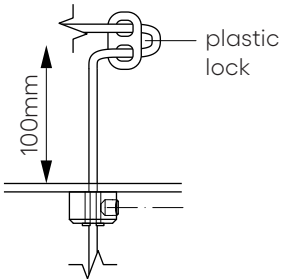
picture B



picture C

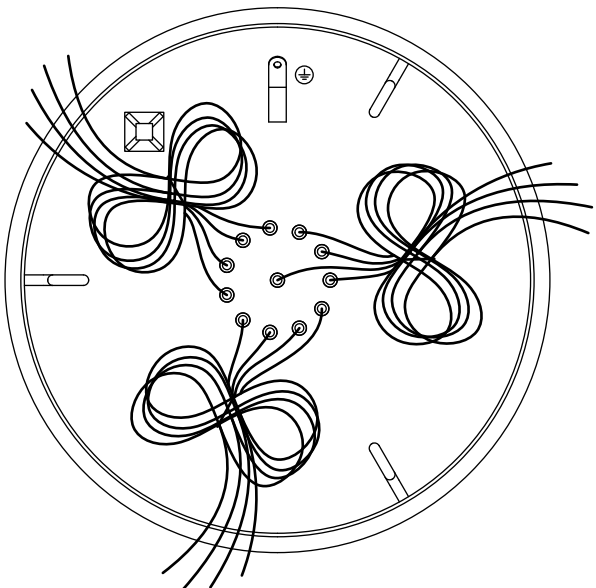


picture D



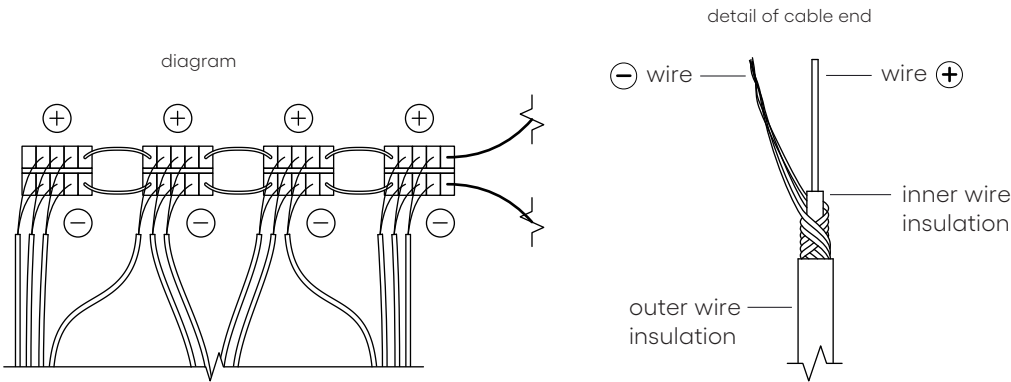
4

Twist the cables in the canopy into a figure-of-eight shape and secure them with an elastic tape against unraveling. For the variant Mussels 12 pcs and Mussels 18 pcs we recommend cables to be divided into groups of 4 or 6 before winding, see picture.



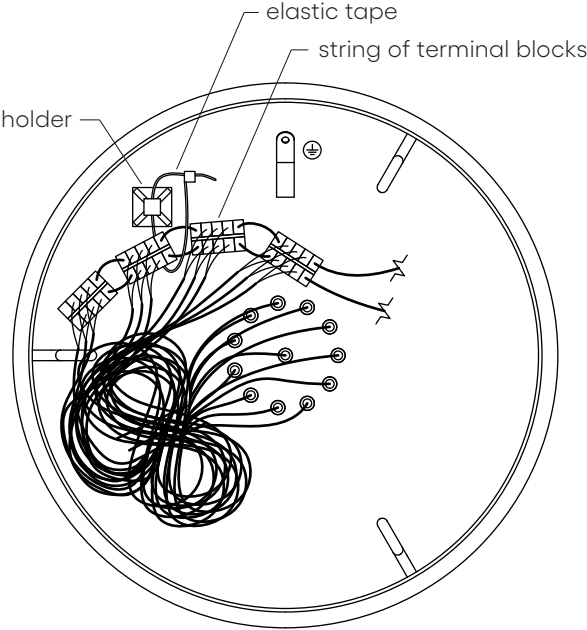
5

Plug the ends of the cables (+) and (-) into the prepared string of terminal blocks inside the canopy.



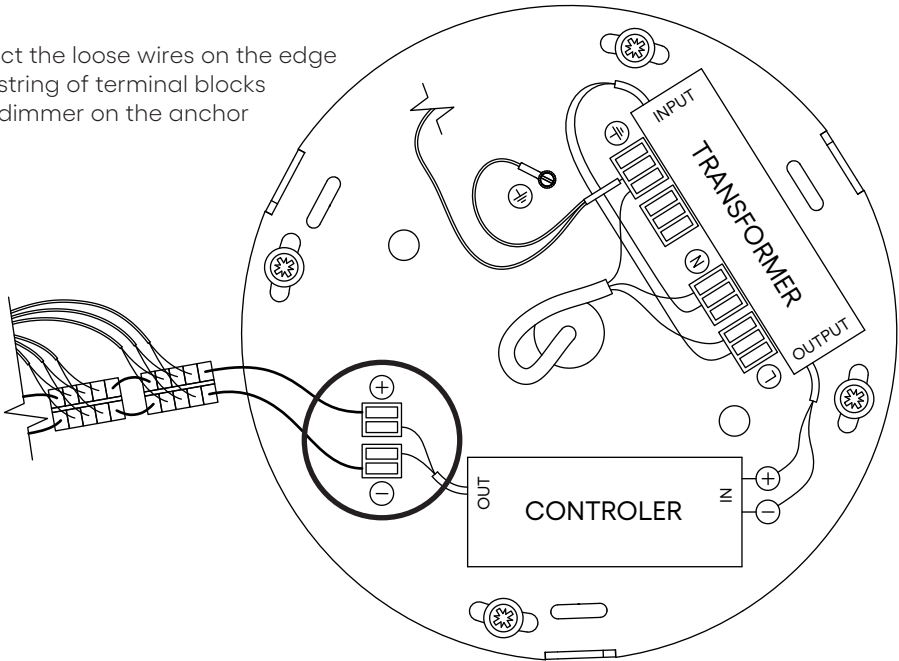
6

After connecting all the cables attach the string of terminal blocks to the holder inside the canopy using an elastic tape. Put the cables in the place marked with a sticker.



7

Connect the loose wires on the edge of the string of terminal blocks to the dimmer on the anchor plate.

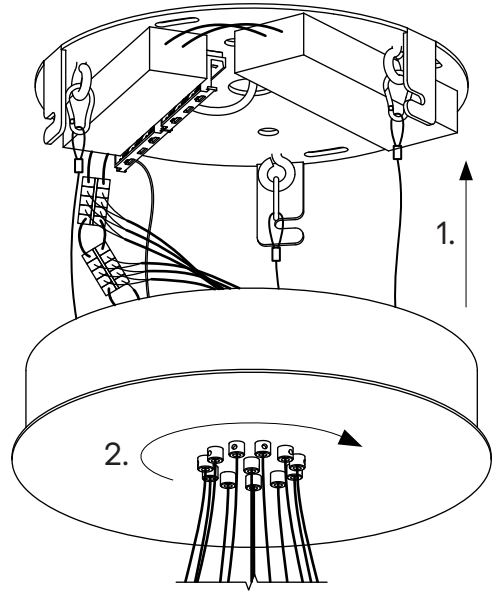


8

If you disconnected in step 1 the canopy from the anchor plate, now reattach it using snap-hooks. Don't forget to reconnect the ground cable to the canopy.

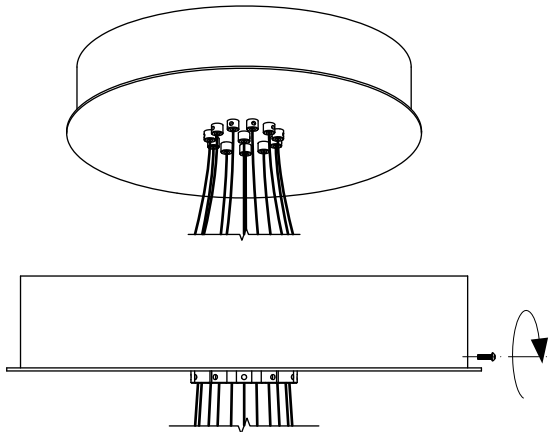
Raise the canopy, close the anchor plate with it and rotate it so that three screws on the inside of the canopy slide into the cut-out in supporting feet.

Be sure to keep the red marks on the anchor plate and the canopy overlapped.



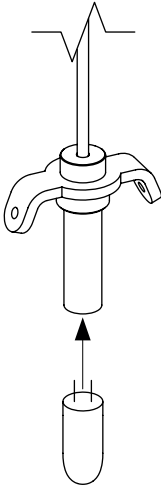
9

Screw in the locking screw completely. **If the screw cannot be screwed in completely, it means the canopy is wrong mounted on the anchor plate.**



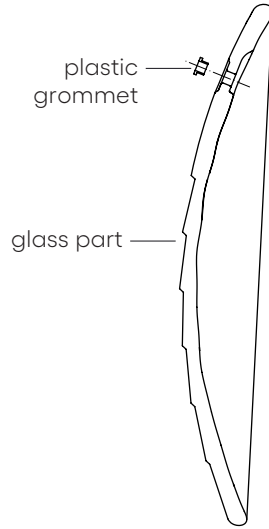
10

Insert a dimmable light source into socket.



11

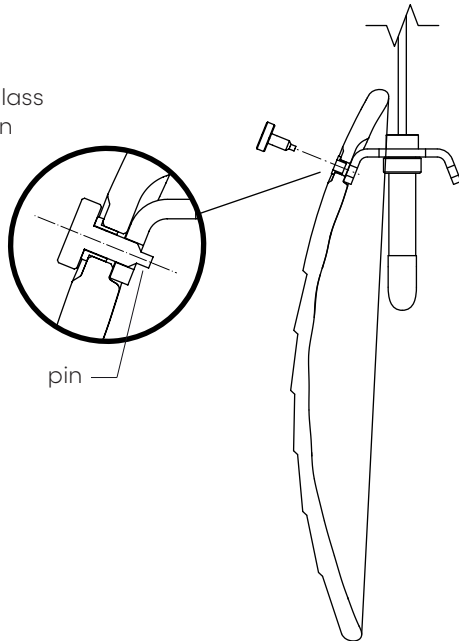
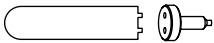
Into the holes in the glass parts insert the plastic grommets according to the picture.



12

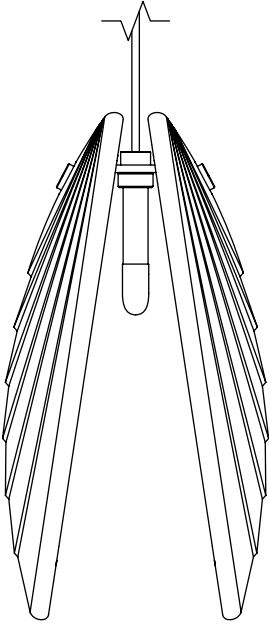
By means of a special tool screw the glass onto the holder. After tightening the pin at the end of screw shall be completely visible on the inside of the handle.

special tool



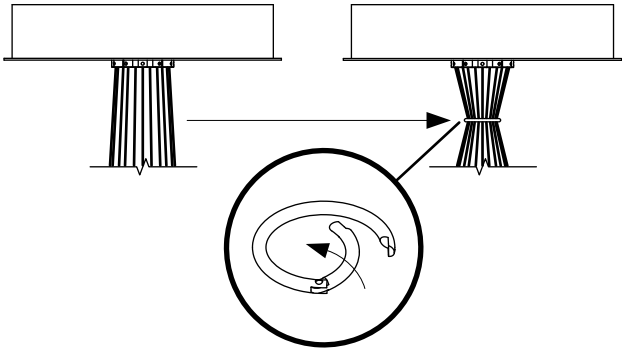
13

Place on the second glass and clean the light fixture from all fingerprints.



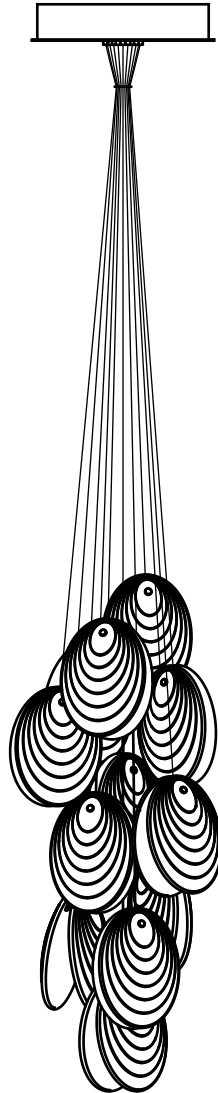
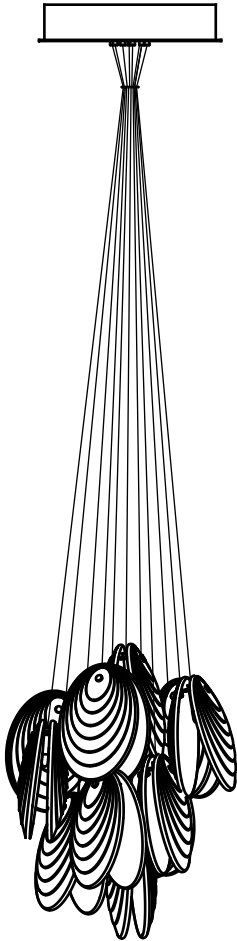
14

Pull the cables under the canopy together using a metal ring. Place the ring in any position, it works on the principle of a carabiner.



Congratulations! You may now reconnect the power and turn the light on.

When dismantling, first turn off the light and disconnect from the power supply. Then follow the above steps in reverse order. Use the original or similar packaging for possible later transport of the light fixture to prevent damage.



Maintenance

- When unpacking, assembling and cleaning the product, handle the individual parts with extra care, especially the glass parts which are very fragile.
- The assembly and wiring of the luminaire must be carried out by an authorized person.
- The pendant luminaire is intended for indoor use.
- We recommend consulting the suitability of the location and fixing of pendant luminaires to the ceiling material with a project manager, an engineer or other competent person.
- Do not cover the light source or touch the light source when the light is on.
- Do not make any repairs or changes to the components. Contact a specialist service center.
- Do not use any spare parts which have not been supplied or approved by the manufacturer (except for light sources).
- Do not expose the luminaire to an unsuitable environment where it might get damaged (water, heat, frost).
- Before servicing or cleaning pendant luminaires ensure sufficient access (ladder, scaffolding, mounting platform,...) so that you can reach and safely manipulate with the luminaire.
- **Warning:** the luminaire may in some parts have sharp edges which may cause injury. Take extra care when moving in close proximity to them.
- Any cleaning and maintenance should be carried out with the luminaire switched off and preferably disconnected (please mind this warning throughout the installation.)
- When changing a bulb, always disconnect the luminaire from the power supply.
- It is recommended to hang the luminaire at a sufficient height to avoid injury (such as head injury) to persons moving near the luminaire.
- It is recommended to install pendant luminaires in more than one person.
- After installing the luminaire, check that it is correctly and securely fixed to its base.
- Do not expose the luminaire to unreasonable loads, protect the luminaire from mechanical damage.
- The light source heats up during operation. Before starting any operation, wait until the light source cools down spontaneously _do not expose to rapid cooling_.
- Halogen light sources must not come into contact with oily materials, so do not touch them with bare hands. Install them using clean textile gloves or a clean cloth. To clean a halogen bulb, it is best to use alcohol-based products.
- When replacing the bulb, use the same or recommended light source (information about the type is on the label or in the installation instructions).
- Do not hang any other components on the luminaire in conflict with the manufacturer's installation instructions.
- Pay attention to checking all parts before their installation. Damaged components and glass parts _fragmentation, cracks_ can cause bodily injury to persons in their vicinity.
- Contact the manufacturer if a serious problem occurs during cleaning or maintenance of the luminaire.
- Any other manipulation with the luminaire should be carried out by qualified personnel or directly by the manufacturer.

Cleaning

- Any cleaning and maintenance should be carried out with the luminaire switched off and preferably disconnected.
- When cleaning, wear white gloves made of soft cotton cloth. In particular, do not touch the plated crystal without gloves. This will prevent the formation of impressions, loss of luster and color.
- Use a soft duster to clean the metal parts. Metal parts can be cleaned with dry or dampened duster in lukewarm demineralized water. When cleaning the parts, do not under any circumstances use solvents, technical gasoline, technical cleaners, peroxides or alkalis. Avoid alcoholic agents, which could cause the change of surface color.
- Clean the bulb with a soft damp cotton cloth, an anti-static soft-bristled brush or a vacuum cleaner on the low setting.
- Clean the stainless steel surfaces with special products, sold for this purpose.
- To clean the glass parts, use a mild cotton cloth, dry or moistened in lukewarm demineralized water, or a duster. Immediately after cleaning, dry the product completely so that no drops of water remain on the product, and carefully hang it back up.
- Take extra care when cleaning the individual parts of the luminaire that cannot be disconnected. Excessive handling might result in loosening or chipping.
- Do not use a dishwasher to wash any removable parts of the luminaire.

Important notice

- The manufacturer accepts no liability for damage resulting from improper installation, improper handling of the luminaire, including installation combined with accessories other than those recommended by the manufacturer.
- The manufacturer accepts no liability for damage resulting from unprofessional tampering with the fixings and safety features of the luminaire or for damage to the product caused by improper power supply voltage, storage or use of the luminaire in damp environment.
- Do not store the pendant luminaire in a damp environment, near a boiler, trap or other sources of steam. Do not place the luminaire over a bathtub in bathrooms and do not touch the luminaire if you are in contact with water.
- The manufacturer reserves the right to make minor variations in the design of the luminaire without prior notice.

Disposal

Upon the expiration of the product's shelf life, proceed in accordance to legal regulations for environmental protection and public health safety.

Waste Materials Catalog

Number	Category	Name
10 11 11*	N	Waste glass in small particles and glass powder containing heavy metals
10 11 12	O	Waste glass other than those mentioned in 10 11 11
17 04 01	O	Copper, bronze, brass
17 04 05	O	Iron and steel
20 01 01	O	Paper and cardboard
15 01 05	O	Composite packaging

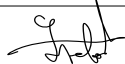
Contact

BMRC GROUP s.r.o.
Hvězdova 1716/2b
140 78 Praha
Czech Republic
+420 569 453 149
info@bomma.cz
www.bomma.cz

Instagram bomma_cz

Facebook bommacz

bomma.cz

drawn by	approved by	revision	date	signature
Karel Jankovský	Ota Svoboda	1	06. 2022	

Control

Date of packaging

step beyond