

NLCBC-470 / NLCBC-4870

4" Cobalt Retrofit Adjustable Elbow

Source: 13W LED
1000lm

PRODUCT DESCRIPTION

Cobalt retrofit series is cULus classified for use in existing IC or Non-IC housings manufactured by Nora and others. The luminaires produce 1000 lumens at 90+ CRI. The Cobalt series intergrates a Cree® COB family of LED arrays, giving bright spectacular light output and low power consumption. The adjustable elbow allows for greater aiming flexibility with 358° rotate and 90° tilt adjustment.

FEATURES

- Retrofit existing 4" recessed housings
- Round or Square trim
- Field adjustable beam spreads (spot included and narrow flood pre-installed)
- 1000 lumen output
- 2700K, 3000K, 3500K or 4000K @ 90+ CRI
- Cree® COB LED Technology
- Integral dimmable driver

SPECIFICATION

Trim: Cast aluminum construction.

Adjustability: 358° rotate and 90° tilt

Reflector / Lens option: Spot (included) and Narrow Flood (installed)

ELECTRICAL

Input Voltage: 120V

Lumens / Wattage: 1000lm / 13W

(Delivered lumens will vary depending on CCT and beam spread)

Color Temperature: 2700K, 3000K, 3500K or 4000K

CRI: 90+CRI

Operating Temp.: 0°C to 25°C ambient temperature

Dimming: Triac/ELV

Click Here or check complete dimmer list at www.NoraLighting.com in the "Compatibility" page under "Resources" tab

COMPATIBLE HOUSINGS

Cobalt retrofit reflectors are compatible with most 4" IC and Non-IC housings by Nora and others.

Fire Box

NFBIC-4LMRAT* ICAT Dedicated LED

New Construction

NHIC-4LMRAT* ICAT Dedicated LED

NHIC-4LMRAT/277* ICAT Dedicated LED, 277V

NHIC-4LMRAT/EM* ICAT Dedicated LED for EM

NSIC-401QAT ICAT Line Voltage

NS-401QAT AT Line Voltage

NHIC-4G24AT ICAT GU24

Remodel

NHRIC-4LMRAT* ICAT Dedicated LED

NSRIC-404QAT ICAT Line Voltage

NSR-404QAT AT Line Voltage

NHRIC-4G24AT ICAT GU24

* Nora Dedicated LED housings are cULus listed for use only with Nora LED Retrofits.

LABELS AND LISTINGS

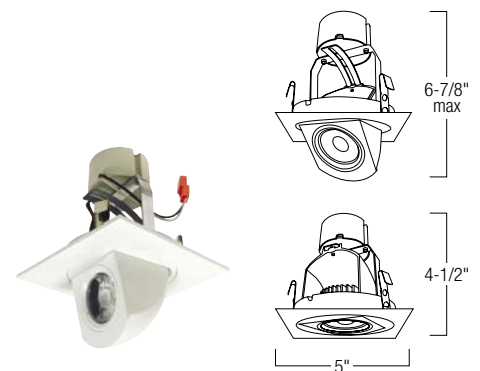
- cULus classified for Damp Location when used with compatible frame-in
- 5-Year Limited Warranty
- Can be used to comply with 2016 Title 24 – part 6 High Efficacy LED light source requirements



PRODUCT IMAGES AND DIMENSIONS



NLCBC-470 Round Adjustable Elbow
B, BZ, MPW, N, W



NLCBC-4870 Square Adjustable Elbow
B, BZ, MPW, N, W

4" Cobalt Retrofit Adjustable Elbow

Trim Shape	Color Temp.	Finish	Dimming & Emergency
NLCBC-470 = Round Trim	27X = 2700K	B = Matte Black	(blank) = 120V Triac/ELV
NLCBC-4870 = Square Trim	30X = 3000K	BZ = Bronze	EM = Remote Emergency
	35X = 3500K	MPW = Matte Powder White	(requires Nora EM housing)
	40X = 4000K	N = Natural Metal	
		W = White	

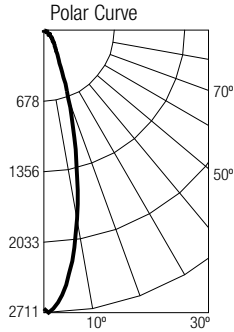
Example: **NLCBC-47030XB** = 4" Round Retrofit Adjustable Elbow, 1000lm / 13W LED, 3000K, Matte Black Finish

PHOTOMETRICS

4" Cobalt Retrofit Adjustable Elbow

Test Information

Test Number: NTR11143
 Part Number: NLCBC-4703528
 Beam Spread: Spot
 Lumens: 1044lm
 Wattage: 13.6W
 Efficacy: 77lpw
 CCT / CRI: 3500K / 90 CRI
 Spacing Criteria (0°-180): 0.46
 Spacing Criteria (90°-270): 0.48



Illuminance at a Distance

Distance from Luminaire	FC at Nadir	Beam Diameter
4'	167fc	1'-11"
6'	74.2fc	2'-11"
8'	41.7fc	3'-11"
10'	26.7fc	4'-10"
12'	18.6fc	5'-10"

Zonal Lumen Summary

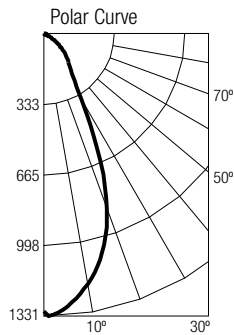
Zone	Lumens	% Luminaire
0-30	733	70.3
0-40	858	82.2
0-60	1009	96.6
0-90	1040	99.6
90-180	4	0.4
0-180	1044	100

Candela Table

Vertical Angles	Candela
0	2672
5	2416
15	1167
25	391
35	183
45	113

Test Information

Test Number: NTR11145
 Part Number: NLCBC-4703548
 Beam Spread: Narrow Flood
 Lumens: 1037m
 Wattage: 13.7W
 Efficacy: 76lpw
 CCT / CRI: 3500K / 90 CRI
 Spacing Criteria (0°-180): 0.78
 Spacing Criteria (90°-270): 0.78



Illuminance at a Distance

Distance from Luminaire	FC at Nadir	Beam Diameter
4'	81.8fc	3'-7"
6'	36.4fc	5'-4"
8'	20.4fc	7'-1"
10'	13.1fc	8'-11"
12'	9.1fc	10'-8"

Zonal Lumen Summary

Zone	Lumens	% Luminaire
0-30	679	65.5
0-40	830	80
0-60	1005	96.9
0-90	1033	99.6
90-180	4	0.4
0-180	1037	100

Candela Table

Vertical Angles	Candela
0	1309
5	1288
15	1059
25	601
35	237
45	152

Lumen Output Multipliers

Color Temperature: 2700K (0.89), 3000K (0.89), 3500K (1.00), 4000K (0.97)