

NUDTW-88 Series
LEDUR Tunable White 120V Edge-Lit Under Cabinet

Source: 7W LED per foot
350lm per foot

PRODUCT DESCRIPTION

Nora Lighting's LEDUR LED tunable white under cabinet uses edge-lit placement of diodes to give a Uniform Reflectance of light. The LEDUR TW allows the end user to select between kelvin temperature at time of installation with a 3 position switch. The LEDUR TW produces an even 350 lumens/ 7 watts average per foot. Dimmable, no UV and forward heat make LEDUR TW the perfect energy saving lighting solution in under cabinet and shelf lighting. The LEDUR TW's uniform reflectance is excellent when used under cabinet over granite, polished stone or any reflective surface, additionally it is excellent in retail display lighting where diode image might distract from display merchandise.

FEATURES

- Available in five kelvin temperatures (2700K, 3000K, 3500K, 4000K or 5000K)
- Edge lit design eliminates LED diode image
- Excellent color rendition - 90+ CRI
- 350 Lumens/ 7 watts per foot average
- Available in 6 different lengths
- Dark Bronze or White Finish
- Built-in on/off rocker switch and 3 position sliding color temperature switch
- Linkable up to 400 Watts fixtures
- 3 wire grounded electrical port on both ends for power or linking
- Quick connect stab-in connectors included
- Captive Screws for easy mounting
- Integral electronic dimmable driver

ELECTRICAL

Input Voltage: 120V

Lumens: 350lm per foot

Wattage:

8" = 4.9W; **11"** = 6.7W; **18"** = 11W; **22"** = 12W; **32"** = 16W; **42"** = 16W

Color Temperature:

(blank) = 2700K, 3000K, 3500K; **/345** = 3000K, 4000K, 5000K

CRI: 90+CRI

Maximum Run Length: 400W

Dimming: Triac

[Click Here](#) or check complete dimmer list at www.NoraLighting.com in the "Compatibility" page under "Resources" tab.

CONSTRUCTION

Housing: Rear wireway access cover with stab-in electrical connectors facilitate wiring without opening the fixture. Additional knock-outs for top and back wiring.

Installation: Mounting hardware is included with each unit. Captive screws allow for quick installation, simply wire using rear door and quick connects, and hold in place and drive captive screws into material. Captives screws are covered with an included cap for a beautiful finished look.

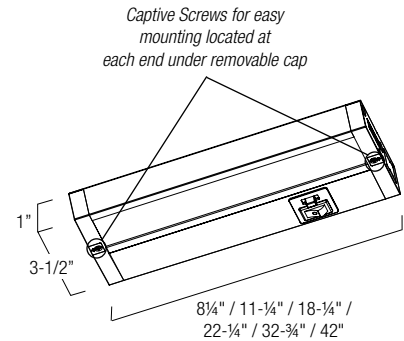
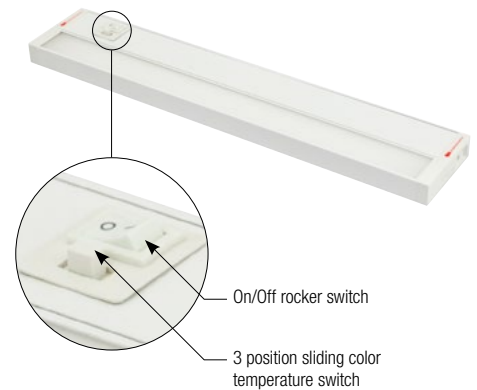
Included with every fixture: Mounting Hardware and 1/2" die-cast metallic cable clamp, end to end connector, installed On/Off rocker switch and 3 position kelvin selection switch.

LABELS AND LISTINGS

- cULus Listed for Dry Location
- ENERGY STAR[®] Certified
- 5-Year Limited Warranty
- Can be used to comply with 2016 Title 24 - part 6 High Efficacy LED light source requirements



PRODUCT IMAGES AND DIMENSIONS



LEDUR Tunable White 120V Edge-Lit Under Cabinet

| Series | Length | CCT | Finish |
|----------|----------|------------------------------------|---------------------|
| NUDTW-88 | 08 = 8" | blank = 2700K, 3000K, 3500K | /BZ = Bronze |
| | 11 = 11" | | /WH = White |
| | 18 = 18" | /345 = 3000K, 4000K, 5000K | |
| | 22 = 22" | | |
| | 32 = 32" | | |
| | 42 = 42" | | |

Example: **NUDTW-8822/WH** = 22" LEDUR Tunable White 120V Edge-Lit Under Cabinet, Selectable CCT (2700K, 3000K, 3500K) White Finish

NUDTW-88 Accessories

LEDUR Tunable White 120V Edge-Lit Under Cabinet Accessories



Junction Box

NUA-802B Black
NUA-802W White
 Used to power NUDTW-88 series using Jumper Cables or NUA-804 Hardwire Connector.
 Finish: Black or White



End to End Connector

NUA-803
 Used to join two NUDTW-88 fixtures seamlessly together. 3-wire grounded connector.
 Finish: White



72" 3-Wire Grounded Hardwire Connector

NUA-804B Black
NUA-804W White
 Used to hardwire NUDTW-88 fixtures to NUA-802 or junction box (by others).
 Finish: Black or White



72" Cord & Plug

NUA-805B Black
NUA-805W White
 Convert NUDTW-88 series fixtures from hardwire to direct plug-in units.
 Finish: Black or White



Jumper Cable

NUA-806B 6" Black
NUA-806W 6" White
NUA-812B 12" Black
NUA-812W 12" White
NUA-824B 24" Black
NUA-824W 24" White
NUA-872B 72" Black
NUA-872W 72" White
 Used to join NUDTW-88 fixtures together or to NUA-802.
 Finish: Black or White