



RISK OF FIRE AND ELECTRICAL SHOCK. FIXTURE MUST BE INSTALLED BY A QUALIFIED ELECTRICIAN ONLY IN ACCORDANCE WITH NATIONAL, LOCAL BUILDING AND ELECTRICAL CODES. DISCONNECT POWER AT ELECTRICAL PANEL BEFORE SERVICING.

IMPORTANT SAFETY INSTRUCTIONS.

1. Read all instructions completely before beginning. Keep these instructions in safe place for future reference.
2. To reduce risk of fire and over-heating, make sure all connections are tight.
3. Turn off the electrical power before proceeding.



CAUTION: RISK OF FIRE OR ELECTRIC SHOCK

LED Retrofit Kit installation requires knowledge of luminaires electrical systems. If not qualified, do not attempt installation. Contact a qualified person.

WARNING - RISK OF FIRE OR ELECTRIC SHOCK. LED Retrofit Kit installation requires knowledge of luminaires electrical systems. If not qualified, do not attempt installation. Contact a qualified electrician.

WARNING - Install these kits only in the luminaires that has the construction features and dimensions shown in the photographs and/or drawings and where the input rating of the retrofit kit does not exceed the input rating of the luminaire.

WARNING - To prevent wiring damage or abrasion, do not expose wiring to edges of sheet metal or other sharp objects.

Do not make or alter any open holes in an enclosure of wiring or electrical components during kit installation.

THIS RETROFIT KIT IS ACCEPTED AS A COMPONENT OF A LUMINAIRE WHERE THE SUITABILITY OF THE COMBINATION SHALL BE DETERMINED BY AUTHORITIES HAVING JURISDICTION.

Please examine all parts that are not intended to be replaced by the retrofit kit for damage and replace any damaged parts prior to installation of the retrofit kit.

NEW CONSTRUCTION

Accessories:

- 1.Engine
- 2.LED Driver Box (New Construction)
- 3.User manual
4. Reflector
5. Trim
6. Wire nut(s)

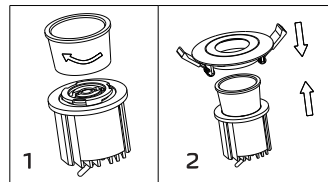
RETROFIT

Accessories:

- 1.Engine
- 2.LED Driver Box(Retrofit)
- 3.User manual
4. Reflector
5. Trim
6. Wire nut and Quick connector

When trim, reflector and engine are separated, assemble downlights using the following steps:

1. Assemble Reflector And Engine:
Attached together, and secure them tight with clockwise direction.
2. Assemble Reflector And Trim:
Press and secure them tight.





RISK OF FIRE AND ELECTRICAL SHOCK. FIXTURE MUST BE INSTALLED BY A QUALIFIED ELECTRICIAN ONLY IN ACCORDANCE WITH NATIONAL, LOCAL BUILDING AND ELECTRICAL CODES. DISCONNECT POWER AT ELECTRICAL PANEL BEFORE SERVICING.

Trim Style	Opening Size Reference
Round	2.95" ~ 3.03" (Round hole)
Round adjustable	
Square adjustable	
Square	2.95" ~ 3.03" (Square hole)

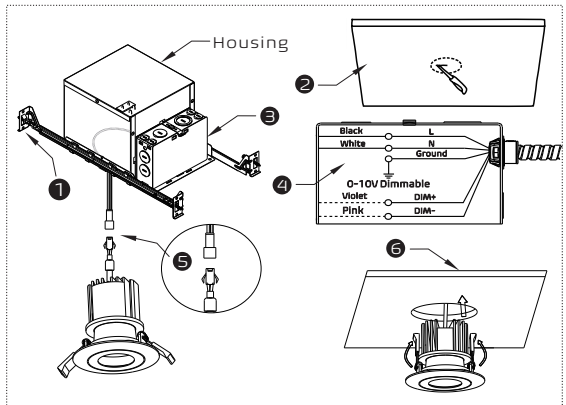
Table (A)

Note: Recessed kit is voltage specific. Verify proper voltage before installation.

Installation For New Construction Applications:

Step 1: Locate fixture position. Install the fixture in the ceiling using the two hanger bars ① (supplied). Mount the fixture in the ceiling so that the weight of the fixture is supported by the hanger bars, mounting channel, bar, and/or hanger wires secured to the building structure. Drill hole in drywall ②. The size is as per the table (A).

Step 2: Open the J-box ③ ④, connect the power supply and ground wire according to the wiring diagram. (Only if the driver has 0-10V dimming, the dimming wire needs to be connected).



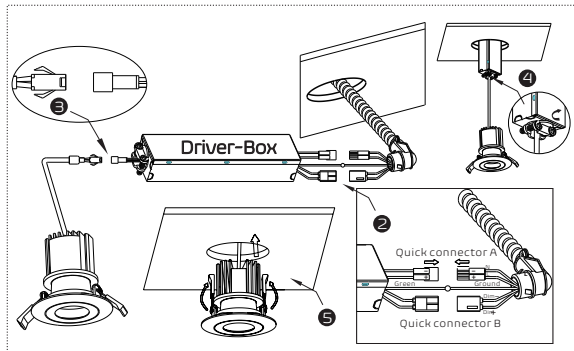
Step 3: Connect LED downlight with housing using provided quick-connectors ⑤.

Step 4: Complete installation by carefully tighten the spring clips through the ceiling opening ⑥.

Installation For Retrofit Applications:

Step 1: Drill hole in the ceiling. See opening size reference (OSR, table A)

Step 2: Plug AC power cord into the quick connector A. (Only if the driver has 0-10V dimming, the quick connector B needs to be connected.) Plug the male connector with the female connector. Connect the ground wire ②.



Step 3: Connect LED downlight with housing using provided quick-connectors ③. Secure screws to tighten wires to fix the wire ④. Secure the driver box on top of ceiling grid.

Step 4: Complete installation by carefully tighten the spring clips through the ceiling opening ⑤.

