

LED Cylinder 4"

CY4 Series | Pendant & Surface & Wall Mount Round Downlights



Introducing OKT 4-inch Architectural LED Cylinders, where performance meets elegance in a sleek form. Modular by design and unlimited in possibility, they offer a complete suite of finishes, trims, optics, beam, LED, dimming and mounting options. Designed to bring rhythm and elegance to ceilings with their soft, uniform light, these cylinders are the ideal solution for offices, hotels, restaurants, and residences-elevating any commercial or institutional space with unparalleled flexibility.

Feature

- Fully modular cylinder, configure over 10,000 possibilities
- Choose from a wide range of beam angles: 15°, 24°, 36°, 60°, 70° or 100°
- Available in COB LED 80+ or 90+ CRI for exceptional color fidelity
- Options for anti-glare trim, diffuser, drop lens, or a 12inch regressed trim
- Compatible with 0-10V (1% or 10%) and TRIAC dimming
- Versatile mounting with cable pendant, stem pendant, surface or wall mount



PERFORMANCE

Wattage Options	2700K		3000K		3500K		4000K	
	Ra>80	Ra>90	Ra>80	Ra>90	Ra>80	Ra>90	Ra>80	Ra>90
25w/18w/12w	2250lm 90lm/w	1900lm 76lm/w	2375lm 95lm/w	2000lm 80lm/w	2450lm 98lm/w	2050lm 82lm/w	2500lm 100lm/w	2100lm 84lm/w

Apply to 25w with white trim and 60° beam angle only in table above to approximate output at other trim colors.

Correlated Trim Color Multiplier	Black Trim	Gold Trim	Chrome Trim
Multiplier for Lumen Output	0.92	0.97	0.94



LED Cylinder 4"






CY4 Series | Pendant & Surface & Wall Mount Round Downlights



PRODUCT ORDERING GUIDE

Example: CY4R-WH-2500L-D10-8040-M-AW-PC02-RJ

CY	4	R		2500L						
Product Family	Product Size	Product Shape	Finish	Lumen Output	Dimming Options	CRI Options	LED Color Options	Beam Options	Trim Options	Mounting
CY LED Cylinder Series	4 QuickShip 4inch, Wattage Option 25W/18W/12W	R QuickShip Round	WH QuickShip White BL QuickShip Black CM QuickShip Custom Colors* Make to Order	2500L QuickShip Up to 25W, 2500LM ▲It is subject to 25W, 4000K, 80+ CRI, 60° beam angle with white trim.	D10 QuickShip 0-10V (Dims to 10%) ▲It is field- adjustable wattage. D01 QuickShip 0-10V, (Dim to 1%) Or TRIAC Dimming ▲It is programmable driver. The wattage is factory-set and not field-adjustable.	80 QuickShip 80+ CRI 90 QuickShip 90+ CRI	27 QuickShip 2700K COB 30 QuickShip 3000K COB 35 QuickShip 3500K COB 40 QuickShip 4000K COB	N QuickShip Narrow Beam, 15° M QuickShip Medium Beam, 24° W QuickShip Wide Beam, 36° F QuickShip Flood Beam, 60° D QuickShip Diffuser, 100°	Anti-glare Trim AW White Trim QuickShip AB Black Trim QuickShip AG Gold Trim QuickShip AC Chrome Trim QuickShip 12" Regress Trim Only for 15°-60° beam. RB Black QuickShip RW White QuickShip Drop Lens DL QuickShip 1inch thickness drop lens	PC QuickShip Pendant Cable PS QuickShip Pendant Rigid Stem SM QuickShip Surface WM Make to Order Wall Mount*

Cable / Stem Length (Pendant Only)	Ceiling Type	Optic Media(Optional)	Emergency Function(Optional)
02 QuickShip 2' Nominal Length	RJ QuickShip Pendant With Flat Canopy Style For Recessed J-Box 	{Blank} QuickShip None	{Blank} QuickShip None
04 QuickShip 4' Nominal Length		HB QuickShip Honeycomb (Only for 15°-60° beam anti-glare trim) 	EME QuickShip Emergency Optional high voltage 8W emergency LED driver EM-H08170-LBF can be provided, For more info or spec sheet, please visit our website or contact sales.
08 QuickShip 8' Nominal Length	SJ QuickShip Pendant With Conduit Cutout Deep Canopy Style For Surface Mounted 4" Octagonal Junction Box. 		LED Emergency Driver (External) 
12 QuickShip 12' Nominal Length	* The color of canopy, cable and stem are the same as the finish unless otherwise specified.		Indicator (Built-in Canopy) 

*Make to Order means additional cost and/or lead time on customized fixtures may apply. Some fixtures require an MOQ. Please contact your sales rep for more information.

LED Cylinder 4"

CY4 Series | Pendant & Surface & Wall Mount Round Downlights



STRUCTURE

► Finish

Constructed of rigid die cast aluminum. Powder coated polyester paint that comes standard in white and black.

► Optics

It was powered by high efficiency COB LED chip with 15° / 24° / 36° / 60° fixed beam, drop lens 70° or diffuser 100°. Cylinder beam spreads are interchangeable which can be easily swapped out in the field without tools.

► Electrical

LED Driver	It is powered by Class 2 high efficiency LED driver, with a standard 0-10V dimming which dims to 10%. Dim to 1% and TRIAC dimming are available.
THD	<20%
Power Factor	>0.9
Input Voltage	Standard electronic drivers are cULus recognized and available for 120-277V AC.
Environment	Environment damp rated for ambient operating temperature of -20°C to +40°C (-4° to +104°F)

► LED System

CRI	COB LED with a 80+ or 90+ CRI .
CCT	2700K,3000K, 3500K and 4000K with a great color consistency.
Thermal Management	Aluminum housing acting as the heat sink to maximize life.

► Listings

- cULus listed for damp locations
- Five-year warranty for parts and components.(Labor not included)

NOTES:

- Ambient temperatures at fixture location should not exceed 40°C during normal operation.
- For interior use only

► Dimmer Compatible

0-10V Dimming (Dim to 10%)

LEVITON DD710	LUTRON MS-Z101	LUTRON NTSTV-DV	LEGRAND RH4FBL3PTC	LUTRON DVSTV	LEVITON IP710
✓	✓	✓	✓	✓	✓

0-10V Dimming (Dim to 1%)

LEVITON DD710	LUTRON MS-Z101	LUTRON NTSTV-DV	LEGRAND RH4FBL3PTC	LUTRON DVSTV	LEVITON IP710
✗	4% below	✓	✓	✓	✓

TRIAC Dimming

DV600P	DVCL-153P	6683	DV603P	6672	S-600P	MSCL-DP153M	S-603P
✓	✓	✓	✓	✗	✓	✓	✓

LG-600P	TGCL-153DH	SCL-153P	6674-LEVITON	CTCL-153P	CT-603PG
✓	✓	✓	✓	✓	✓

► Mounting-Pendant

Cable Mount

White/black power cable is provided in length specified (2' nominal, 4' nominal, 8' nominal or 12' nominal). Installers can cut the cable in the field to desired length.

Pendant Stem Mount

Ø12/25" steel stem(M12X1 screw pitch) is provided in length specified (2' nominal, 4' nominal, 8' nominal or 12' nominal) and is provided in white or black finish.

Canopy Options

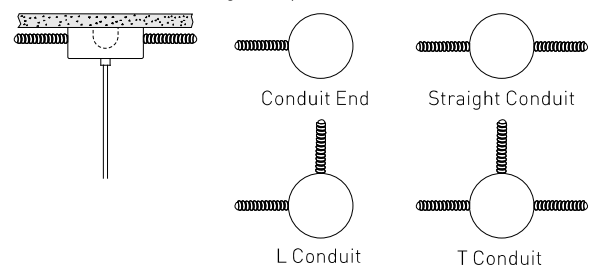
Flat Canopy For Recessed J-box

If J-box is recessed (3" octagon, 4" octagon and 4" round) , a 4.5" flat canopy is provided for mounting to recessed junction box in white or black powder coat painted finish.

Conduit Cutout Deep Canopy For Surface Mount J-box

If standard 4" octagonal J-box is surface mounted, a Ø5.97" round x 2.38" deep canopy with conduit cutout is provided for mounting. Conduit cutout canopy has 4 key slots, one in each side, and can be configured to accommodate any ceiling layout using ½" or ¾" conduit. Conduit cutout canopy is provided white and black powder coat painted finish.

Conduit cutout mounting example



► Mounting - Surface

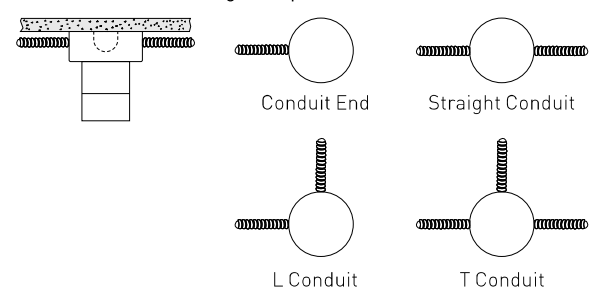
For Recessed J-box

If recessed J-box is existing (3" octagon, 4" octagon and 4" round) , the cylinder can be mounted directly to recessed mounted junction box.

For Surface Mount J-box

If standard 4" octagonal J-box is surface mounted, a Ø5.97" round x 2.38" deep canopy with conduit cutout is provided for mounting. Conduit cutout canopy has 4 key slots, one in each side, and can be configured to accommodate any ceiling layout using ½" or ¾" conduit. Conduit cutout canopy is provided white and black powder coat painted finish.

Conduit cutout mounting example

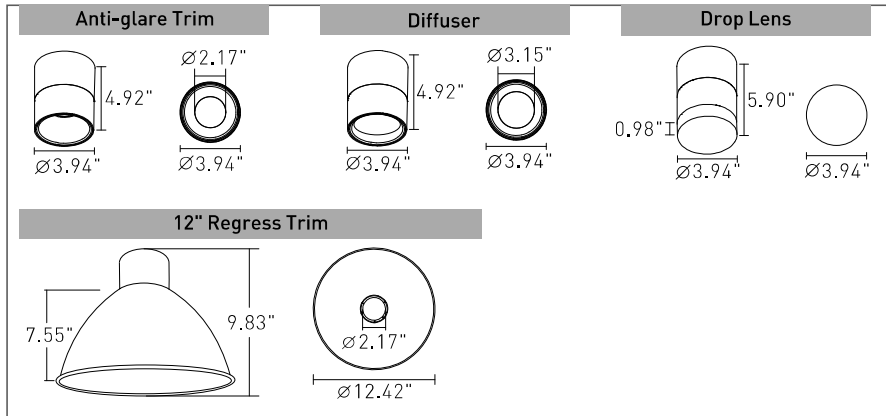


LED Cylinder 4"

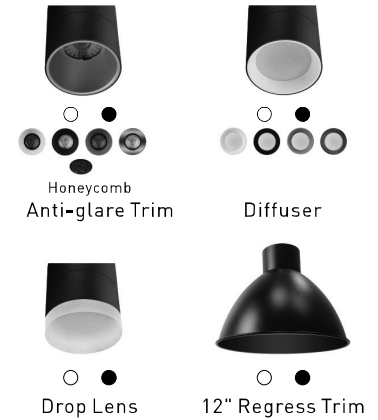
CY4 Series | Pendant & Surface & Wall Mount Round Downlights



DIMENSIONS

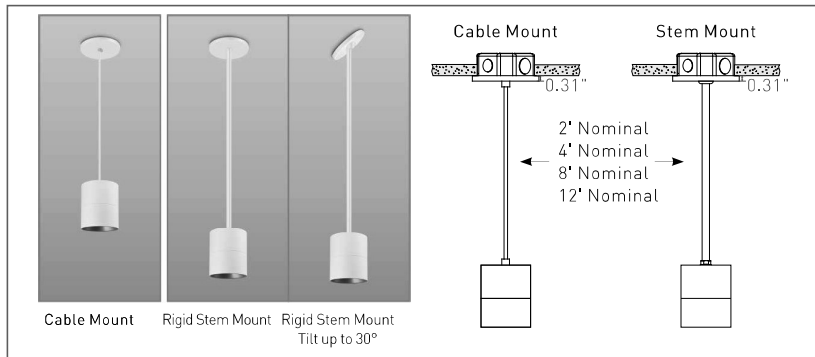


CONFIGURATION



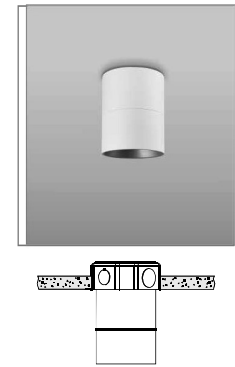
PENDANT OPTIONS

Pendant With Flat Canopy For Recessed J-Box

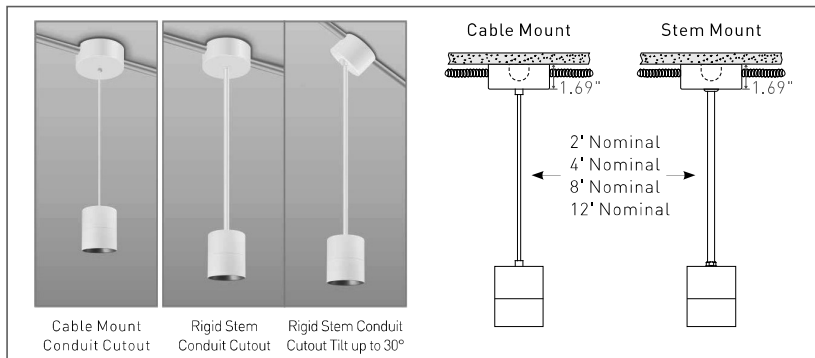


SURFACE OPTIONS

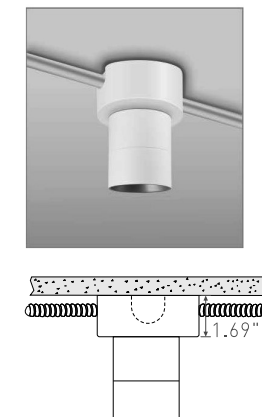
Surface Mount To Recessed Junction Box



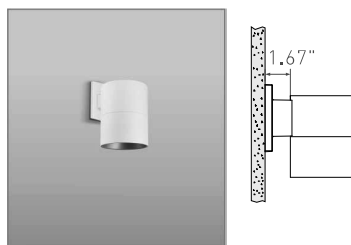
Pendant With Conduit Cutout Deep Canopy For Surface 4" Octagonal Junction Box



Surface Mount With Conduit Cutout For Surface Mounted 4" Octagonal Junction Box



WALL MOUNT



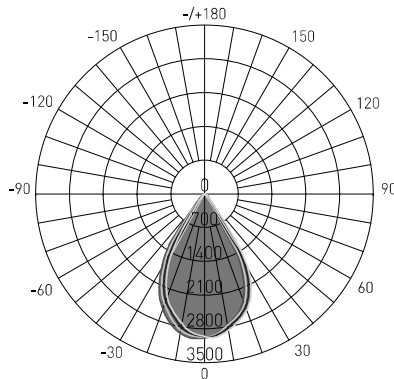
LED Cylinder 4"

CY4 Series | Pendant & Surface & Wall Mount Round Downlights



DISTRIBUTION DIAGRAM

4" / 3000K / 60°



AVERAGE BEAM ANGLE(50%): 61.0°

Lumens: 2612.6 Lm
Watts: 25 W
LPW: 103.94 Lm/W
CCT: 3000K

UNIT: cd
— C0/180,61.0°
— C30/210,61.1°
— C60/240,61.1°
— C90/270,60.7°

Zonal Flux Diagram

τ	C0	C45	C90	C135	C180
10	2751	2786	2868	2917	2931
20	2335	2466	2558	2593	2538
30	1094	1535	1818	1905	1800
40	155.1	194.4	245.3	438.2	400.3
50	62.68	63.03	65.58	79.00	102.6
60	44.26	44.48	45.54	54.19	62.64
70	23.80	23.01	22.92	28.39	34.03
80	2.913	5.007	6.675	7.312	11.58
90	0.1544	0.1118	0.3414	0.4778	0.2661
100	0.0980	0.1167	0.1027	0.1260	0.1499
110	0.1725	0.2939	0.8678	0.2707	0.6863
120	0.3081	0.3082	0.3596	0.3502	0.7190
130	0.8022	0.6450	0.4290	0.4484	0.8034
140	2.066	1.785	1.408	1.243	1.589
150	3.714	3.274	2.851	2.718	3.120
160	5.316	4.917	4.461	4.184	4.698
170	6.381	6.205	6.044	5.930	6.233
180	6.788	6.806	6.652	6.657	6.797
DEG	LUMINOUS INTENSITY:cd				

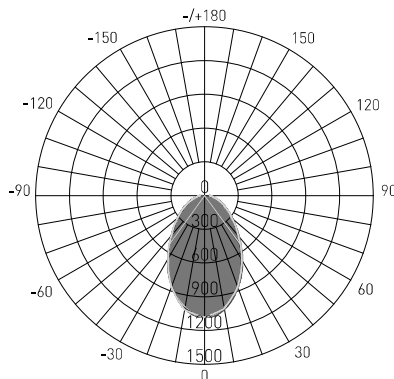
Zonal Lumens

τ	φ total
0-10	275.7
10-20	1016
20-30	1941
30-40	2403
40-50	2499
50-60	2552
60-70	2587
70-80	2603
80-90	2605
90-100	2605
100-110	2605
110-120	2606
120-130	2606
130-140	2607
140-150	2609
150-160	2610
160-170	2612
170-180	2613
UNIT: lm	

Luminance cd/(m2)

G(DEG)	C0/180	C90/270
85	2079	6732
80	2892	6628
75	8458	9206
70	11997	11556
65	13945	13764
60	15263	15703
55	16203	17152
50	16813	17592
45	17695	27503

4" / 3000K / 70°



AVERAGE BEAM ANGLE(50%): 71.6°

Lumens: 1942.4 Lm
Watts: 25 W
LPW: 79.52 Lm/W
CCT: 3000K

UNIT: cd
— C0/180,71.9°
— C30/210,71.3°
— C60/240,71.4°
— C90/270,71.9°

Zonal Flux Diagram

τ	C0	C45	C90	C135	C180
5	1071	1054	1050	1052	1068
10	1025	1010	1018	1004	1018
15	954.7	947.8	939.2	939.3	943.1
20	869.0	855.9	860.3	846.4	854.4
25	774.3	762.4	761.5	752.4	754.6
30	673.2	660.7	662.6	652.6	649.2
35	571.3	557.7	564.7	553.7	548.1
40	477.4	464.8	466.8	465.7	458.2
45	396.6	386.8	393.8	389.3	382.0
50	328.6	318.8	320.8	322.9	318.2
55	270.4	262.2	267.8	268.2	263.2
60	220.1	212.7	214.9	219.3	215.7
65	177.6	171.2	175.7	177.6	174.3
70	140.3	134.6	136.5	140.3	136.6
75	107.6	102.6	106.9	107.1	104.3
80	79.64	77.06	77.38	79.92	76.31
85	56.23	58.08	61.33	58.27	53.51
90	40.50	46.57	45.27	42.81	18.90
DEG	LUMINOUS INTENSITY:cd				

Zonal Lumens

τ	φ total
0-5	25.51
5-10	99.56
10-15	215.6
15-20	363.6
20-25	532.8
25-30	711.5
30-35	889.6
35-40	1059
40-45	1217
45-50	1359
50-55	1486
55-60	1597
60-65	1691
65-70	1769
70-75	1832
75-80	1880
80-85	1916
85-90	1942
UNIT: lm	

Luminance cd/(m2)

G(DEG)	C0/180	C90/270
85	79645	86868
80	56618	55013
75	51348	51006
70	50650	49266
65	51872	51321
60	54350	53057
55	58192	57645
50	63105	61605
45	69244	68755

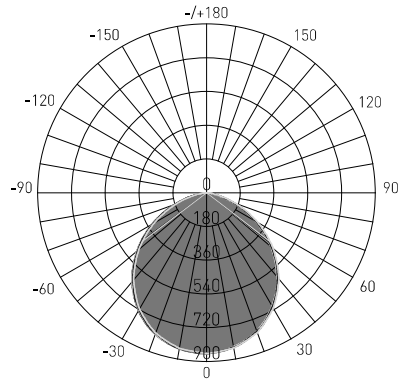
LED Cylinder 4"

CY4 Series | Pendant & Surface & Wall Mount Round Downlights



DISTRIBUTION DIAGRAM

4" / 3000K / 100°



AVERAGE BEAM ANGLE(50%): 105.3°

Lumens: 2190.61 Lm
Watts: 25 W
LPW: 89.85 Lm/W
CCT: 3000K

UNIT: cd
— C0/180,105.4°
— C30/210,105.2°
— C60/240,105.4°
— C90/270,105.3°

Zonal Flux Diagram

τ	C0	C45	C90	C135	C180
5	850.2	847.0	847.9	849.9	854.3
10	836.7	833.7	839.6	839.9	844.7
15	815.1	814.4	816.1	824.0	827.5
20	785.8	782.9	792.5	795.2	802.5
25	747.9	747.1	751.8	762.2	769.4
30	700.8	700.2	711.0	718.5	726.8
35	646.5	644.9	654.9	666.6	675.9
40	585.7	586.3	598.7	611.2	618.3
45	519.8	519.1	531.1	544.8	554.7
50	448.8	451.5	463.6	478.0	486.1
55	374.9	375.1	388.5	403.6	413.1
60	297.8	299.4	313.3	329.5	337.1
65	218.6	221.4	235.7	251.1	260.0
70	142.9	146.8	158.0	174.8	182.5
75	72.97	75.83	94.31	101.2	107.8
80	22.73	35.94	30.62	48.84	44.19
85	7.240	12.76	17.05	15.48	15.27
90	0.8750	4.429	3.486	2.174	1.546
DEG	LUMINOUS INTENSITY:cd				

Zonal Lumens

τ	φ total
0-5	20.37
5-10	80.73
10-15	179.0
15-20	311.8
20-25	474.1
25-30	659.8
30-35	861.7
35-40	1072
40-45	1282
45-50	1484
50-55	1671
55-60	1835
60-65	1971
65-70	2073
70-75	2139
75-80	2174
80-85	2186
85-90	2191
	UNIT: lm

Luminance cd/(m2)

G(DEG)	C0/180	C90/270
85	10255	24154
80	16158	21767
75	34808	44987
70	51589	57035
65	63844	68845
60	73527	77367
55	80684	83611
50	86202	89036
45	90759	92735

LED Cylinder 6"

CY6 Series | Pendant & Surface & Wall Mount Round Downlights



Introducing the OKT 6inch Architectural LED Cylinder, where high performance meets elegant design. Engineered to deliver soft, uniform illumination that brings rhythm and elegance to any ceiling, it is the ideal solution for offices, hotels, and restaurants. Its modular design offers limitless possibilities, supported by a comprehensive suite of options in finishes, trims, optics, beam angles, dimming, and mounting-providing unparalleled flexibility to elevate any commercial or institutional space.



Feature

- Fully modular cylinder, configure over 10,000 possibilities
- Choose from a wide range of beam angles: 15°, 24°, 36°, 60° or 100°
- Available in COB LED 80+ or 90+ CRI for exceptional color fidelity
- Anti-glare trim and diffuser options
- Compatible with 0-10V (1% or 10%) and TRIAC dimming
- Versatile mounting with cable pendant, stem pendant, surface or wall mount



PERFORMANCE

Wattage Selectable	2700K		3000K		3500K		4000K	
	Ra>80	Ra>90	Ra>80	Ra>90	Ra>80	Ra>90	Ra>80	Ra>90
40w/30w/20w	4000lm 100lm/w	3400lm 85lm/w	4200lm 105lm/w	3560lm 89lm/w	4320lm 108lm/w	3640lm 91lm/w	4400lm 110lm/w	3720lm 93lm/w

Correlated Trim Color Multiplier	Black Trim	Gold Trim	Chrome Trim
Multiplier for Lumen Output	0.92	0.97	0.94

Apply to maximum wattage with white trim and 60° beam angle only in table above to approximate output at other trim colors.

LED Cylinder 6"

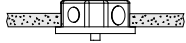




CY6 Series | Pendant & Surface & Wall Mount Round Downlights



PRODUCT ORDERING GUIDE

Example: CY6R-WH-4400L-D10-8040-M-AW-PC02-RJ

CY	6	R		4400L						
Product Family	Product Size	Product Shape	Finish	Lumen Output	Dimming Options	CRI Options	LED Color Options	Beam Options	Trim Options	Mounting
CY LED Cylinder Series	6 QuickShip 6inch, Wattage Selectable 40W/30W/20W	R QuickShip Round	WH QuickShip White BL QuickShip Black CM QuickShip Custom Colors* Make to Order	4400L QuickShip Up to 40W, 4400LM ▲ It is subject to 40W, 4000K, 80+ CRI, 60° beam angle with white trim.	D10 QuickShip 0-10V (Dims to 10%) ▲ It is field- adjustable wattage. D01 QuickShip 0-10V, (Dim to 1%) Or TRIAC Dimming ▲ It is programmable and available in 30W and 40W ONLY. The wattage is factory-set and not field- adjustable.	80 QuickShip 80+ CRI 90 QuickShip 90+ CRI	27 QuickShip 2700K COB 30 QuickShip 3000K COB 35 QuickShip 3500K COB 40 QuickShip 4000K COB	N QuickShip Narrow Beam, 15° M QuickShip Medium Beam, 24° W QuickShip Wide Beam, 36° F QuickShip Flood Beam, 60° D QuickShip Diffuser, 100°	AW White Trim QuickShip AB Black Trim QuickShip AG Gold Trim QuickShip AC Chrome Trim QuickShip	PC QuickShip Pendant Cable PS QuickShip Pendant Rigid Stem SM QuickShip Surface WM Make to Order Wall Mount*

Cable / Stem Length	Ceiling Type	Optic Media(Optional)	Emergency Function(Optional)
02 QuickShip 2' Nominal Length	RJ QuickShip Pendant With Flat Canopy Style For Recessed J-Box 	{Blank} QuickShip None	{Blank} QuickShip None
04 QuickShip 4' Nominal Length	SJ QuickShip Pendant With Conduit Cutout Deep Canopy Style For Surface Mounted 4" Octagonal Junction Box. 	HB QuickShip Honeycomb (Only for anti-glare trim) 	EME QuickShip Emergency Optional high voltage 8W emergency LED driver EM-H08170-LBF can be provided. For more info or spec sheet, please visit our website or contact sales.
08 QuickShip 8' Nominal Length			LED Emergency Driver (External) 
12 QuickShip 12' Nominal Length	* The color of canopy, cable and stem are the same as the finish unless otherwise specified.		Indicator (Built-in Canopy) 

*Make to Order means additional cost and/or lead time on customized fixtures may apply. Some fixtures require an MOQ. Please contact your sales rep for more information.

LED Cylinder 6"

CY6 Series | Pendant & Surface & Wall Mount Round Downlights



STRUCTURE

► Finish

Constructed of rigid die cast aluminum. Powder coated polyester paint that comes standard in white and black.

► Optics

It was powered by high efficiency COB LED chip. 15° / 24° / 36° / 60° fixed beam and diffuser 100°. Cylinder beam spreads are interchangeable which can be easily swapped out in the field without tools.

► Electrical

LED Driver	It is powered by Class 2 high efficiency LED driver, with a standard 0-10V dimming which dims to 10%. Dim to 1% and TRIAC dimming are available.
THD	<20%
Power Factor	>0.9
Input Voltage	Standard electronic drivers are cULus recognized and available for 120-277V AC.
Environment	Environment damp rated for ambient operating temperature of -20°C to +40°C [-4° to +104°F]

► LED System

CRI	COB LED with a 80+ or 90+ CRI .
CCT	2700K,3000K, 3500K and 4000K with a great color consistency.
Thermal Management	Aluminum housing acting as the heat sink to maximize life.

► Listings

- cULus listed for damp locations
- Five-year warranty for parts and components.(Labor not included)

NOTES:

- Ambient temperatures at fixture location should not exceed 40°C during normal operation.
- For interior use only

► Dimmer Compatible

0-10V Dimming (Dim to 10%)

LEVITON DD710	LUTRON MS-Z101	LUTRON NTSTV-DV	LEGRAND RH4FBL3PTC	LUTRON DVSTV	LEVITON IP710
✓	✓	✓	✓	✓	✓

0-10V Dimming (Dim to 1%)

LEVITON DD710	LUTRON MS-Z101	LUTRON NTSTV-DV	LEGRAND RH4FBL3PTC	LUTRON DVSTV	LEVITON IP710
✓	✓	✓	✓	✓	✓

TRIAC Dimming

DV600P	DVCL-153P	6683	DV603P	6672	S-600P	MSCL-DP153M	S-603P
✓	✓	✓	✓	X	✓	✓	X

LG-600P	TGCL-153DH	SCL-153P	6674-LEVITON	CTCL-153P	CT-603PG
✓	X	✓	✓	✓	✓

► Mounting-Pendant

Cable Mount

White/black cable is provided in length specified (2' nominal, 4' nominal, 8' nominal or 12' nominal). Installers can cut the cable in the field to desired length.

Notes:

The power cable and aircraft cable are separated.

Pendant Stem Mount

Ø12/25" steel stem(M12X1 screw pitch) is provided in length specified (2' nominal, 4' nominal, 8' nominal or 12' nominal) and is provided in white or black finish.

► Canopy Options

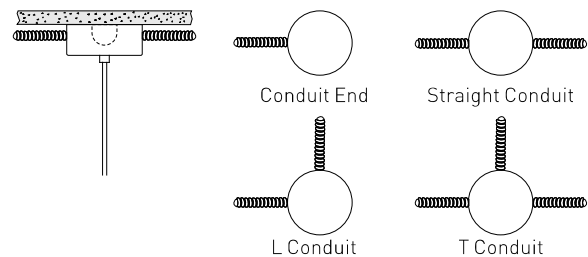
Flat Canopy For Recessed J-box

If J-box is recessed (3" octagon, 4" octagon and 4" round), a 4.5" flat canopy is provided for mounting to recessed junction box in white or black powder coat painted finish.

Conduit Cutout Deep Canopy For Surface Mount J-box

If standard 4" octagonal J-box is surface mounted, a Ø5.97" round x 2.38" deep canopy with conduit cutout is provided for mounting. Conduit cutout canopy has 4 key slots, one in each side, and can be configured to accommodate any ceiling layout using ½" or ¾" conduit. Conduit cutout canopy is provided white and black powder coat painted finish.

Conduit cutout mounting example



► Mounting - Surface

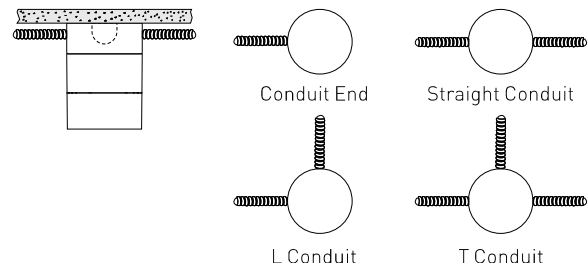
For Recessed J-box

If recessed J-box is existing (3" octagon, 4" octagon and 4" round), the cylinder can be mounted directly to recessed mounted junction box.

For Surface Mount J-box

If standard 4" octagonal J-box is surface mounted, a Ø5.97" round x 2.38" deep canopy with conduit cutout is provided for mounting. Conduit cutout canopy has 4 key slots, one in each side, and can be configured to accommodate any ceiling layout using ½" or ¾" conduit. Conduit cutout canopy is provided white and black powder coat painted finish.

Conduit cutout mounting example

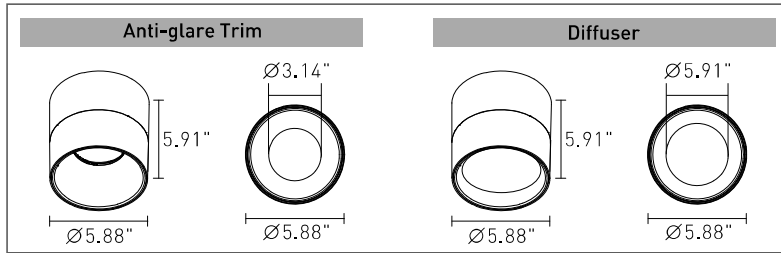


LED Cylinder 6"

CY6 Series | Pendant & Surface & Wall Mount Round Downlights



DIMENSIONS

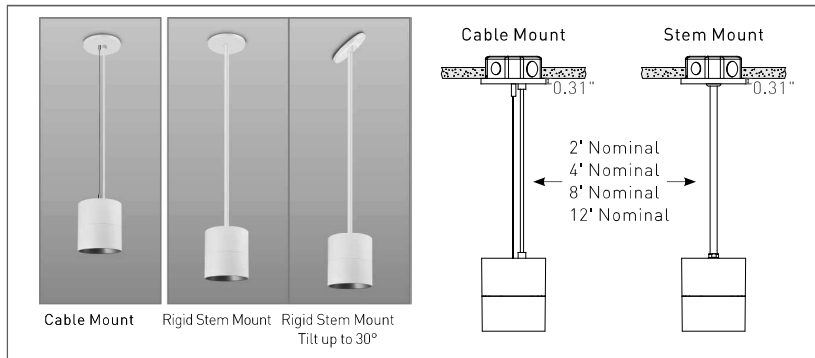


CONFIGURATION



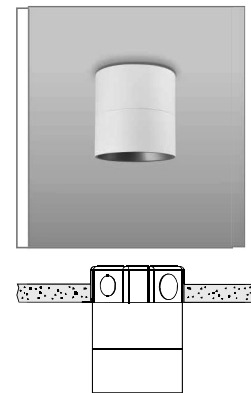
PENDANT OPTIONS

Pendant With Flat Canopy For Recessed J-Box

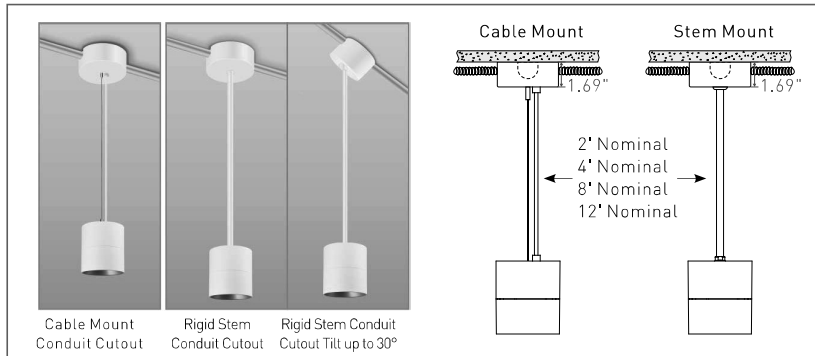


SURFACE OPTIONS

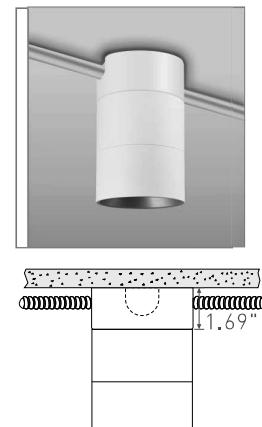
Surface Mount To Recessed Junction Box



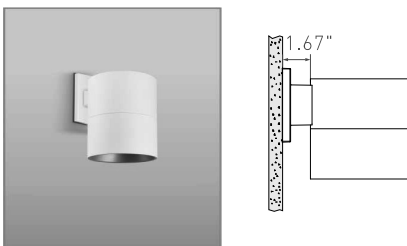
Pendant With Conduit Cutout Deep Canopy For Surface 4" Octagonal Junction Box



Surface Mount With Conduit Cutout For Surface Mounted 4" Octagonal Junction Box



WALL MOUNT



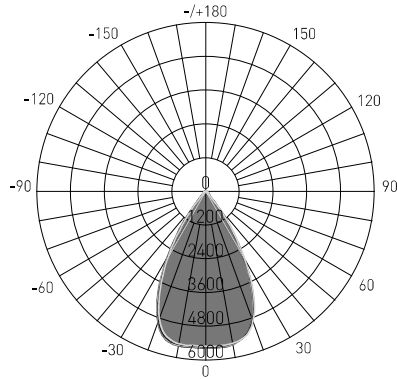
LED Cylinder 6"

CY6 Series | Pendant & Surface & Wall Mount Round Downlights



DISTRIBUTION DIAGRAM

6" / 3000K / 60°



AVERAGE BEAM ANGLE(50%): 59.6°

Lumens: 5046.4 Lm
Watts: 45 W
LPW: 111.38 Lm/W
CCT: 3000K

UNIT: cd
— C0/180,59.5°
— C30/210,59.5°
— C60/240,59.6°
— C90/270,59.6°

Zonal Flux Diagram

τ	C0	C45	C90	C135	C180
10	5529	5511	5486	5486	5576
20	4834	4887	4923	4940	4963
30	2643	2758	2803	2894	2818
40	433.5	487.4	508.0	551.8	472.2
50	100.6	104.4	102.4	105.5	99.85
60	72.33	72.16	70.84	70.56	71.23
70	44.46	45.15	44.15	44.05	43.76
80	18.19	18.90	17.92	18.39	18.56
90	0.1782	0.1447	0.1496	0.1447	0.1447
100	0.1727	0.1868	0.1494	0.1821	0.1729
110	0.2565	0.2615	0.2147	0.2568	0.2569
120	0.3688	0.3923	0.3823	0.3596	0.3737
130	1.082	1.047	0.9929	0.9770	1.080
140	3.232	3.112	3.031	2.920	3.318
150	6.392	6.202	6.089	5.889	6.530
160	9.529	9.302	9.245	9.017	9.601
170	12.21	12.07	11.91	11.77	12.11
180	13.29	13.37	13.15	13.16	13.31
DEG	LUMINOUS INTENSITY:cd				

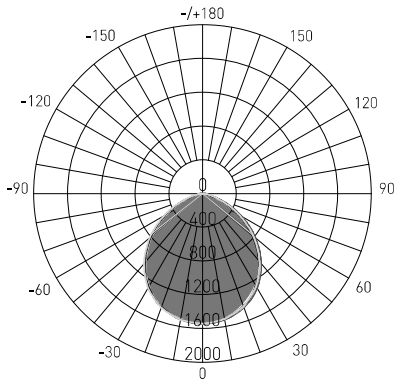
Zonal Lumens

τ	φ total
0-10	526.3
10-20	2017
20-30	3780
30-40	4714
40-50	4863
50-60	4936
60-70	4993
70-80	5025
80-90	5033
90-100	5033
100-110	5033
110-120	5033
120-130	5034
130-140	5036
140-150	5039
150-160	5042
160-170	5045
170-180	5046
UNIT: lm	

Luminance cd/(m2)

G[DEG]	C0/180	C90/270
85	5141	5059
80	6800	6703
75	7678	7640
70	8441	8382
65	9032	8906
60	9393	9200
55	9336	9072
50	10163	10349
45	14737	15549

6" / 3000K / 100°



AVERAGE BEAM ANGLE(50%): 101.5°

Lumens: 3749.8 Lm
Watts: 40 W
LPW: 97.35 Lm/W
CCT: 3000K

UNIT: cd
— C0/180,102.4°
— C30/210,100.7°
— C60/240,100.6°
— C90/270,102.2°

Zonal Flux Diagram

τ	C0	C45	C90	C135	C180
5	1537	1528	1526	1527	1534
10	1517	1506	1509	1505	1512
15	1483	1472	1465	1473	1476
20	1436	1417	1421	1417	1426
25	1374	1354	1346	1354	1362
30	1293	1266	1271	1270	1276
35	1193	1159	1161	1171	1173
40	1079	1043	1050	1064	1057
45	953.4	904.6	917.4	939.8	929.1
50	817.8	764.3	784.5	816.4	791.8
55	675.8	612.1	638.3	674.2	646.9
60	528.2	461.9	492.1	533.7	498.4
65	379.0	314.3	347.4	385.5	350.1
70	233.9	184.3	202.8	247.6	210.0
75	112.0	78.24	124.1	122.7	94.23
80	49.48	40.66	45.51	64.07	44.76
85	21.40	18.89	25.06	26.43	17.63
90	1.168	6.016	4.618	2.611	3.324
DEG	LUMINOUS INTENSITY:cd				

Zonal Lumens

τ	φ total
0-5	36.70
5-10	145.4
10-15	322.6
15-20	561.7
20-25	854.2
25-30	1188
30-35	1550
35-40	1924
40-45	2295
45-50	2646
50-55	2963
55-60	3233
60-65	3446
65-70	3594
70-75	3680
75-80	3724
80-85	3743
85-90	3750
UNIT: lm	

Luminance cd/(m2)

G[DEG]	C0/180	C90/270
85	13641	15976
80	15830	14560
75	24051	26646
70	37991	32936
65	49822	45673
60	58686	54679
55	65458	61824
50	70682	67802
45	74903	72077

LED Cylinder 8"

CY8 Series | Pendant & Surface & Wall Mount Round Downlights



Introducing the OKT 8-inch Architectural LED Cylinder, where elegant design meets high-performance illumination. Delivering up to 5500 lumens of soft, uniform light, it brings rhythm and elegance to ceilings, making it the ideal solution for offices, hotels, and restaurants. Its modular design offers limitless possibilities, complete with a comprehensive suite of options for finishes, trims, optics, beam angles, dimming, and mounting—delivering the unparalleled flexibility needed to elevate any commercial or institutional space.

Feature

- Fully modular cylinder, configure over 10,000 possibilities
- Choose from a wide range of beam angles: 15°, 24°, 36°, 60°
- Available in COB LED 80+ or 90+ CRI for exceptional color fidelity
- Compatible with 0-10V (1% or 10%) and TRIAC dimming
- Versatile mounting with cable pendant, stem pendant, surface or wall mount



PERFORMANCE

Wattage Options	2700K		3000K		3500K		4000K	
	Ra>80	Ra>90	Ra>80	Ra>90	Ra>80	Ra>90	Ra>80	Ra>90
58w/45w/30w	4930lm 85lm/w	4176lm 72lm/w	5220lm 90lm/w	4408lm 76lm/w	5394lm 93lm/w	4524lm 78lm/w	5510lm 95lm/w	4640lm 80lm/w

Correlated Trim Color Multiplier	Black Trim	Gold Trim	Chrome Trim
Multiplier for Lumen Output	0,92	0,97	0,94

Apply to maximum wattage with white trim and 60° beam angle only in table above to approximate output at other trim colors.

LED Cylinder 8"

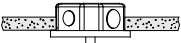




CY8 Series | Pendant & Surface & Wall Mount Round Downlights



PRODUCT ORDERING GUIDE

Example: CY8R-WH-5500L-D10-8040-M-AW-PC02-RJ

CY	8	R		5500L						
Product Family	Product Size	Product Shape	Finish	Lumen Output	Dimming Options	CRI Options	LED Color Options	Beam Options	Trim Options	Mounting
CY LED Cylinder Series	8 QuickShip 8inch, Wattage Selectable 58W/45W/30W	R QuickShip Round	WH QuickShip White BL QuickShip Black CM QuickShip Custom Colors* Make to Order	5500L QuickShip Up to 58W, 5500LM ▲ It is subject to 58W, 4000K, 80+ CRI, 60° beam angle with white trim.	D10 QuickShip 0-10V [Dims to 10%] ▲ It is field- adjustable wattage. D01 QuickShip 0-10V, (Dim to 1%) Or TRIAC Dimming ▲ It is programmable driver. The wattage is factory-set and not field-adjustable.	80 QuickShip 80+ CRI 90 QuickShip 90+ CRI	27 QuickShip 2700K COB 30 QuickShip 3000K COB 35 QuickShip 3500K COB 40 QuickShip 4000K COB	N QuickShip Narrow Beam, 15° M QuickShip Medium Beam, 24° W QuickShip Wide Beam, 36° F QuickShip Flood Beam, 60°	AW QuickShip White Trim AB QuickShip Black Trim AG QuickShip Gold Trim AC QuickShip Chrome Trim	PC QuickShip Pendant Cable PS QuickShip Pendant Rigid Stem SM QuickShip Surface WM QuickShip Wall Mount

Cable / Stem Length (Pendant Only)	Ceiling Type	Optic Media(Optional)	Emergency Function(Optional)
02 QuickShip 2' Nominal Length	RJ QuickShip Pendant With Flat Canopy Style For Recessed J-Box 	{Blank} QuickShip None	{Blank} QuickShip None
04 QuickShip 4' Nominal Length	SJ QuickShip Pendant With Conduit Cutout Deep Canopy Style For Surface Mounted 4" Octagonal Junction Box. 	HB QuickShip Honeycomb (Only for anti-glare trim) 	EME QuickShip Emergency Optional high voltage 8W emergency LED driver EM-H08170-LBF can be provided. For more info or spec sheet, please visit our website or contact sales.
08 QuickShip 8' Nominal Length			LED Emergency Driver (External) 
12 QuickShip 12' Nominal Length	* The color of canopy, cable and stem are the same as the finish unless otherwise specified.		Indicator (Built-in Canopy) 

*Make to Order means additional cost and/or lead time on customized fixtures may apply. Some fixtures require an MOQ. Please contact your sales rep for more information.

LED Cylinder 8"

CY8 Series | Pendant & Surface & Wall Mount Round Downlights



STRUCTURE

►► Finish

Constructed of rigid die cast aluminum. Powder coated polyester paint that comes standard in white and black.

►► Optics

It was powered by high efficiency COB LED chip, 15° / 24° / 36° / 60° fixed beam spread options. Cylinder beamsreads are interchangeable which can be easily swapped out in the field without tools.

►► Electrical

LED Driver	It is powered by Class 2 high efficiency LED driver, with a standard 0-10V dimming which dims to 10%. Dim to 1% and TRIAC dimming are available.
THD	<20%
Power Factor	>0.9
Input Voltage	Standard electronic drivers are cULus recognized and available for 120-277V AC.
Environment	Environment damp rated for ambient operating temperature of -20°C to +40°C [-4° to +104°F]

►► LED System

CRI	COB LED with a 80+ or 90+ CRI .
CCT	2700K,3000K, 3500K and 4000K with a great color consistency.
Thermal Management	Aluminum housing acting as the heat sink to maximize life.

►► Listings

- cULus listed for damp locations
- Five-year warranty for parts and components. (Labor not included)

NOTES:

- Ambient temperatures at fixture location should not exceed 40°C during normal operation.
- For interior use only

►► Dimmer Compatible

0-10V Dimming (Dim to 10%)

LEVITON DD710	LUTRON MS-Z101	LUTRON NTSTV-DV	LEGRAND RH4FBL3PTC	LUTRON DVSTV	LEVITON IP710
✓	✓	✓	✓	✓	✓

0-10V Dimming (Dim to 1%)

LEVITON DD710	LUTRON MS-Z101	LUTRON NTSTV-DV	LEGRAND RH4FBL3PTC	LUTRON DVSTV	LEVITON IP710
✓	✓	✓	✓	✓	✓

TRIAC Dimming

DV600P	DVCL-153P	6683	DV603P	6672	S-600P	MSCL-DP153M	S-603P
X	✓	✓	✓	✓	X	✓	✓

LG-600P	TGCL-153DH	SCL-153P	6674-LEVITON	CTCL-153P	CT-603PG
X	✓	✓	✓	✓	✓

►► Mounting

Cable Mount

White/black cable is provided in length specified (2' nominal, 4' nominal, 8' nominal or 12' nominal). Installers can cut the cable in the field to desired length.

Notes:

The power cable and aircraft cable are separated.

Pendant Stem Mount

Ø12/25" steel stem (M12X1 screw pitch) is provided in length specified (2' nominal, 4' nominal, 8' nominal or 12' nominal) and is provided in white or black finish.

►► Canopy Options

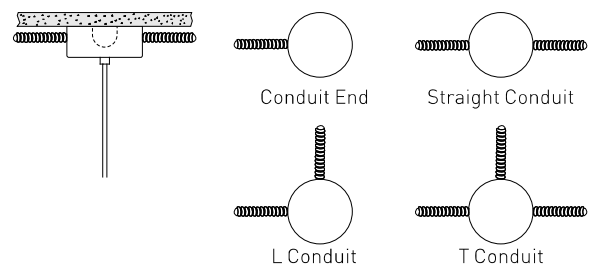
Flat Canopy For Recessed J-box

If J-box is recessed (3" octagon, 4" octagon and 4" round), a 4.5" flat canopy is provided for mounting to recessed junction box in white or black powder coat painted finish.

Conduit Cutout Deep Canopy For Surface Mount J-box

If standard 4" octagonal J-box is surface mounted, a Ø5.97" round x 2.38" deep canopy with conduit cutout is provided for mounting. Conduit cutout canopy has 4 key slots, one in each side, and can be configured to accommodate any ceiling layout using 1/2" or 3/8" conduit. Conduit cutout canopy is provided white and black powder coat painted finish.

Conduit cutout mounting example



►► Mounting Options

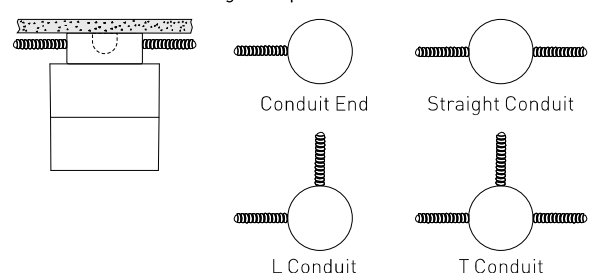
For Recessed J-box

If recessed J-box is existing (3" octagon, 4" octagon and 4" round), the cylinder can be mounted directly to recessed mounted junction box.

For Surface Mount J-box

If standard 4" octagonal J-box is surface mounted, a Ø5.97" round x 2.38" deep canopy with conduit cutout is provided for mounting. Conduit cutout canopy has 4 key slots, one in each side, and can be configured to accommodate any ceiling layout using 1/2" or 3/8" conduit. Conduit cutout canopy is provided white and black powder coat painted finish.

Conduit cutout mounting example

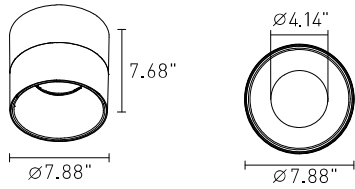


LED Cylinder 8"

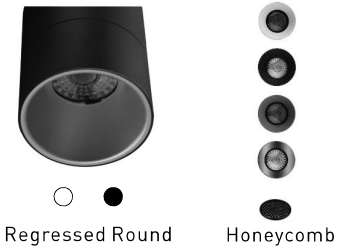
CY8 Series | Pendant & Surface & Wall Mount Round Downlights



DIMENSIONS

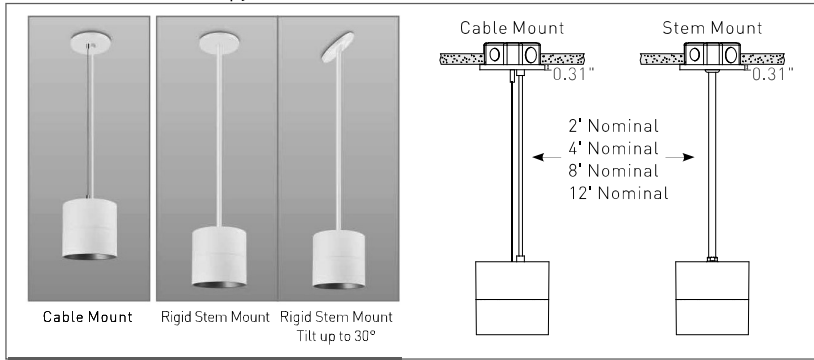


CONFIGURATION



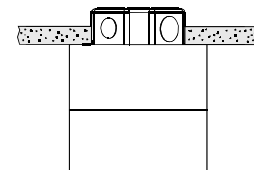
PENDANT OPTIONS

Pendant With Flat Canopy For Recessed J-Box

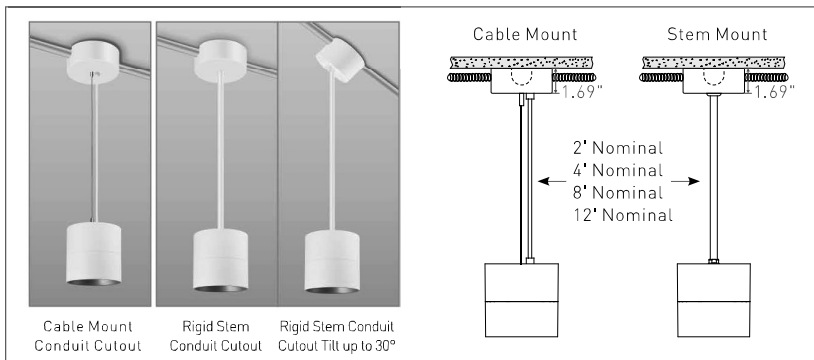


SURFACE OPTIONS

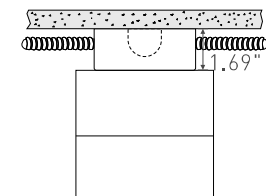
Surface Mount To Recessed Junction Box



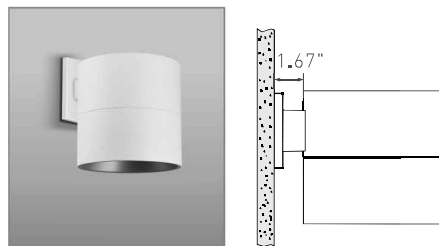
Pendant With Conduit Cutout Deep Canopy For Surface 4" Octagonal Junction Box



Surface Mount With Conduit Cutout For Surface Mounted 4" Octagonal Junction Box



WALL MOUNT



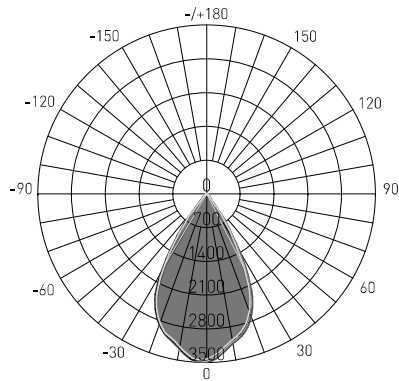
LED Cylinder 8"

CY8 Series | Pendant & Surface & Wall Mount Round Downlights



DISTRIBUTION DIAGRAM

8" / 3000K / 60°



AVERAGE BEAM ANGLE(50%): 57.7°

Lumens: 6000.6 Lm
Watts: 60 W
LPW: 95.85 Lm/W
CCT: 3000K

UNIT: cd
— C0/180, 57.5°
— C30/210, 57.8°
— C60/240, 58.0°
— C90/270, 57.5°

Zonal Flux Diagram

τ	C0	C45	C90	C135	C180
10	6752	6641	6582	6635	6997
20	5798	5610	5550	5774	6119
30	2943	2631	2544	3088	3598
40	323.2	281.4	268.1	369.4	569.4
50	101.4	92.02	90.41	103.3	137.4
60	66.11	63.45	62.41	64.37	68.46
70	40.56	38.05	37.37	39.94	43.13
80	16.48	14.58	14.33	16.84	19.29
90	0.1635	0.1495	0.1728	0.1494	0.6340
100	0.1633	0.2008	0.1867	0.1961	0.1821
110	0.2426	0.2895	0.2613	0.2755	0.2615
120	0.4150	0.4624	0.4521	0.4110	0.3877
130	1.310	1.501	1.445	1.183	1.038
140	4.020	4.396	4.323	3.738	3.636
150	7.830	3.274	2.851	2.718	3.120
160	11.69	12.09	12.00	11.29	11.30
170	15.06	15.17	14.99	14.64	14.78
180	16.06	16.06	15.84	15.86	16.12
DEG	LUMINOUS INTENSITY:cd				

Zonal Lumens

τ	φ total
0-10	670.6
10-20	2462
20-30	4629
30-40	5655
40-50	5820
50-60	5892
60-70	5945
70-80	5976
80-90	5984
90-100	5985
100-110	5985
110-120	5985
120-130	5986
130-140	5988
140-150	5991
150-160	5995
160-170	5999
170-180	6001
	UNIT: lm

Luminance cd/(m2)

G(DEG)	C0/180	C90/270
85	2815	2099
80	3569	3101
75	4060	3666
70	4458	4108
65	4761	4451
60	4970	4692
55	5058	4836
50	5932	5288
45	9205	8235