

# MAIA Outdoor

120v : **3-740-xx**  
277v : **37-740-xx**

# oxygen

FIXTURE TYPE \_\_\_\_\_ LOCATION \_\_\_\_\_

PROJECT \_\_\_\_\_ DATE \_\_\_\_\_

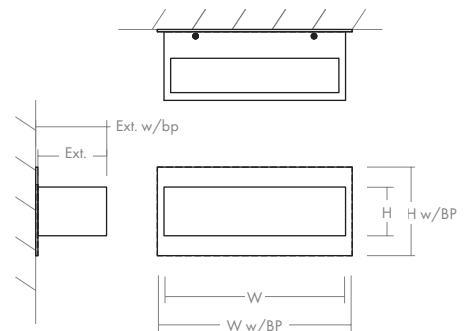


-16 Gray



-22 Oiled Bronze

<b>LIGHT SOURCE</b>	1 x 10.1W LED, 3000K, CRI 90
<b>LUMINAIRE POWER</b>	13.0W at 120V
<b>RATED LIFE</b>	60000 hr RL
<b>OPTIONAL COLOR TEMPERATURES</b>	2700K, 3500K, 4000K
<b>LUMEN OUTPUT</b>	Delivered: 375 lm (LM-79)
<b>INPUT VOLTAGE</b>	120V or 277V
<b>DRIVER OUTPUT</b>	350 mA, 12W
<b>DIMMING</b>	0-10v & Phase (ELV) Dimming - 50/60Hz 100% to 10% Dimming
<b>CONSTRUCTION</b>	Cast Aluminium and Acrylic
<b>DIFFUSER</b>	- Matte White Acrylic
<b>FINISHES</b>	Gray (-16), Oiled Bronze (-22)
<b>MOUNTING</b>	4" Octagonal J-Box*, 2"x 3" J-Box *With optional backplate (Installer must provide a bead of caulk between fixture housing and mounting surface)
<b>STANDARDS</b>	ETL Wet, ADA compliant, Conforms to UL STD 1598, Certified CAN/CSA, STD C22.2 No 250.0.



### DIMENSIONS

**W:** 10.25"  
**H:** 2.75"  
**Ext:** 3.88"  
**M.C:** 1.38" From top of fixture

### With optional backplate

**W:** 11.00"  
**H:** 5.00"  
**Ext:** 4.00"  
**M.C:** 2.50" From top of fixture

Order example for standard fixture:

**3-740-22** (x- Voltage - xxx-Sequence # - xx-Finish)

3: 120v, 37: 277v

Order example for optional color temperatures: **3-740-2722**

27: 2700K, 35: 3500K, 40: 4000K



# MAIA Outdoor

120v : **3-741-xx**

277v : **37-741-xx**

# oxygen

FIXTURE TYPE \_\_\_\_\_

LOCATION \_\_\_\_\_

PROJECT \_\_\_\_\_

DATE \_\_\_\_\_



-22 Oiled Bronze



-16 Gray

**LIGHT SOURCE** 1 x 11.9W LED, 3000K, CRI 90

**LUMINAIRE POWER** 15.3W at 120V

**RATED LIFE** 60000 hr RL

**OPTIONAL COLOR TEMPERATURES** 2700K, 3500K, 4000K

**LUMEN OUTPUT** Delivered: 465 lm (LM-79)

**INPUT VOLTAGE** 120V or 277V

**DRIVER OUTPUT** 350 mA, 12W

**DIMMING** 0-10v & Phase (ELV) Dimming - 50/60Hz 100% to 10% Dimming

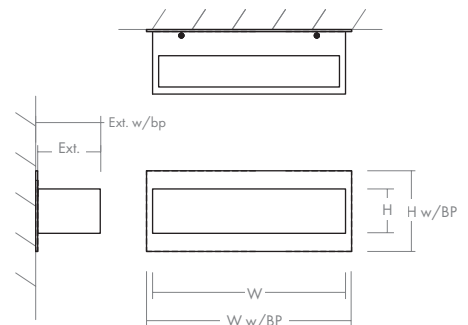
**CONSTRUCTION** Cast Aluminium and Acrylic

**DIFFUSER** - Matte White Acrylic

**FINISHES** Gray (-16), Oiled Bronze (-22)

**MOUNTING** 4" Octagonal J-Box\*, 2"x 3" J-Box  
\*With optional backplate  
(Installer must provide a bead of caulk between fixture housing and mounting surface)

**STANDARDS** ETL Wet, ADA compliant, Conforms to UL STD 1598, Certified CAN/CSA, STD C22.2 No 250.0.



### DIMENSIONS

**W:** 12.25"

**H:** 2.75"

**Ext:** 3.88"

**M.C:** 1.38" From top of fixture

### With optional backplate

**W:** 13.00"

**H:** 5.00"

**Ext:** 4.00"

**M.C:** 2.50" From top of fixture

Order example for standard fixture:

**3-741-22** (x- Voltage - xxx-Sequence # - xx-Finish)

**3:** 120v, **37:** 277v

Order example for optional color temperatures: **3-741-2722**

**27:** 2700K, **35:** 3500K, **40:** 4000K



# MAIA Outdoor

120v : **3-742-xx**

277v : **37-742-xx**

# oxygen

FIXTURE TYPE \_\_\_\_\_

LOCATION \_\_\_\_\_

PROJECT \_\_\_\_\_

DATE \_\_\_\_\_

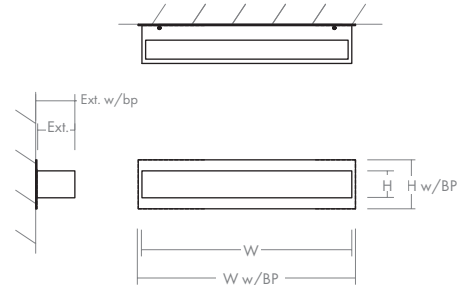


-16 Gray



-22 Oiled Bronze

<b>LIGHT SOURCE</b>	2 x 11.9W LED, 3000K, CRI 90
<b>LUMINAIRE POWER</b>	30.3W at 120V
<b>RATED LIFE</b>	60000 hr RL
<b>OPTIONAL COLOR TEMPERATURES</b>	2700K, 3500K, 4000K
<b>LUMEN OUTPUT</b>	Delivered: 963 lm (LM-79)
<b>INPUT VOLTAGE</b>	120V or 277V
<b>DRIVER OUTPUT</b>	2 x 350 mA, 12W
<b>DIMMING</b>	0-10v & Phase (ELV) Dimming - 50/60Hz 100% to 10% Dimming
<b>CONSTRUCTION</b>	Plated Steel and Acrylic
<b>DIFFUSER</b>	- Matte White Acrylic
<b>FINISHES</b>	Gray (-16), Oiled Bronze (-22)
<b>MOUNTING</b>	4" Octagonal J-Box*, 2"x 3" J-Box *With optional backplate (Installer must provide a bead of caulk between fixture housing and mounting surface)
<b>STANDARDS</b>	ETL Wet, ADA compliant, Conforms to UL STD 1598, Certified CAN/CSA, STD C22.2 No 250.0.



### DIMENSIONS

<b>W:</b>	<b>23.25"</b>
<b>H:</b>	<b>2.75"</b>
<b>Ext:</b>	<b>3.88"</b>
<b>M.C:</b>	<b>1.38" From top of fixture</b>

### With optional backplate

<b>W:</b>	<b>24.00"</b>
<b>H:</b>	<b>5.00"</b>
<b>Ext:</b>	<b>4.00"</b>
<b>M.C:</b>	<b>2.50" From top of fixture</b>

Order example for standard fixture:

**3-742-22** (x- Voltage - xxx-Sequence # - xx-Finish)

**3:** 120v, **37:** 277v

Order example for optional color temperatures: **3-742-2722**

**27:** 2700K, **35:** 3500K, **40:** 4000K

