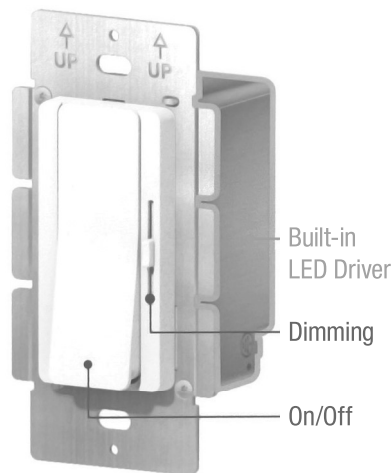


PDW-100W-DIM-48VDC-WH
2-IN-1 POWER DRIVER AND DIMMER

REV 12.30.25



PDW-100W-DIM-48VDC-WH



DESCRIPTION

Power Dim 2-in-1 is a dimmer with an integrated LED driver that converts 120VAC to low-voltage 48VDC (up to 96W). Designed for installation in a standard single-gang electrical box, it eliminates the need for separate remote drivers, simplifying installation to provide an option that is as cost-effective as it is time efficient.

PureEdge Lighting's Power Driver combines an ELV dimmer and driver in a single, wall-mounted unit. Kit includes driver/dimmer, faceplate, and mounting hardware.

The integrated design delivers smooth, flicker-free dimming and avoids driver/switch compatibility issues. Features soft start and built-in short-circuit, overload, and thermal protection. Indoor use only.

For custom quotes and layout assistance, send drawings to design@PureEdgeLighting.com.

INTEGRATED DESIGN

- Combines LED driver and dimmer into a single device
- Soft start
- Short circuit protection
- Overload protection
- Thermal overload protection
- Utilizes 6" wire leads

APPLICATIONS

Indoor

MOUNTING

Fits into a standard single-gang wall box, standard hardwire connection

POWER INPUT

- 120VAC
- Power Factor @ full load: >0.99
- THD (Typ.) @ full load: ≤10%
- Efficiency @ full load: 91.0%
- AC Current (Max.): 0.9A

POWER OUTPUT

- Class 2; 48 volts DC
- 96 watts maximum
- Voltage Tolerance: ±0.5V
- Rated current: 4A

DIMENSIONS

4.13" x 2.12" x 1.99"

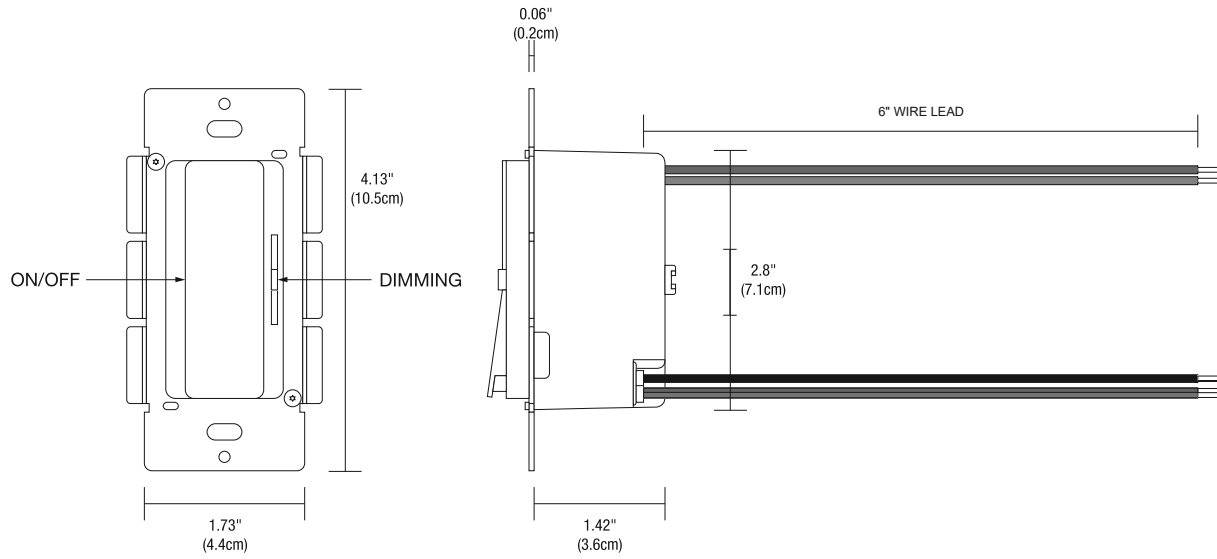
COMPLIANCE

Class 2, UL, RoHS

Product	Wattage	Control Type	Voltage	Finish
PDW	100W	DIM	48VDC	WH
PDW Power Wall Dimmer	100W 100 Watts	DIM DIM Static White	48VDC 48 Volt DC	WH White

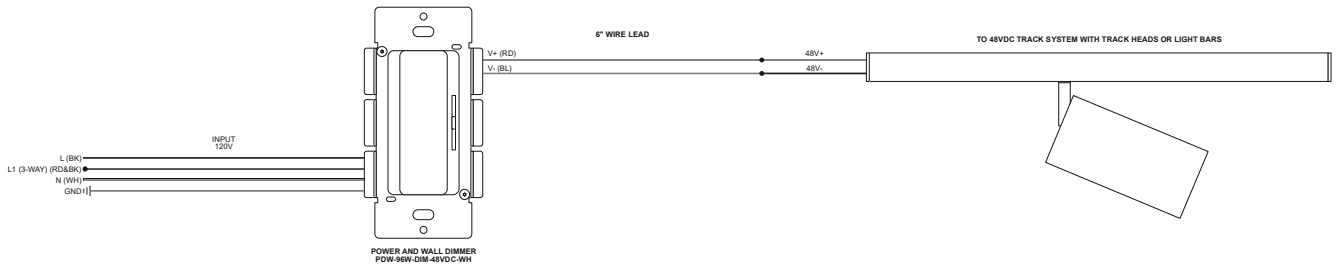
PROJECT	FIXTURE TYPE	DATE
---------	--------------	------

DRAWINGS

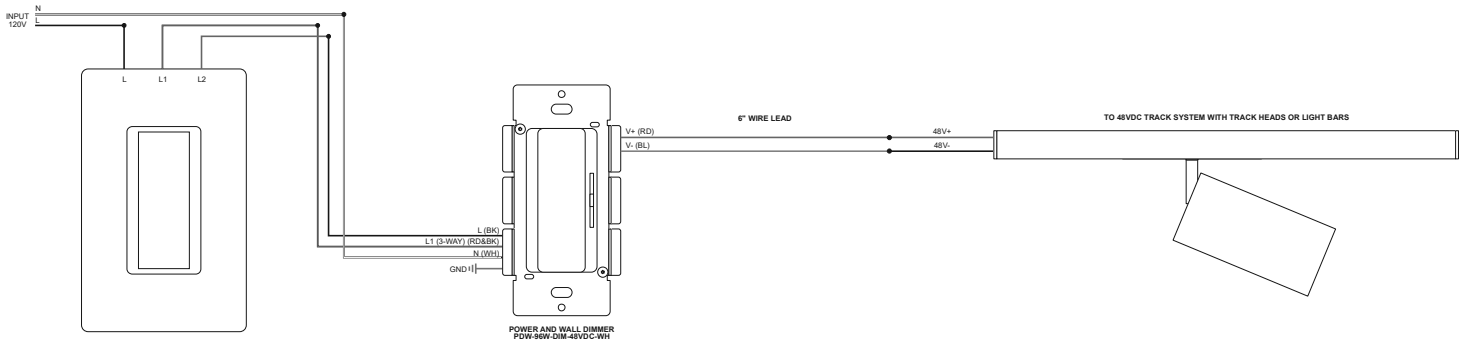


WIRING DIAGRAM

STANDARD DIMMING



3-WAY DIMMING



100W, 48VDC Low Voltage Wire Size Chart: 3% Voltage Drop

WIRE LENGTH (FT)	UP TO 212'	213'-328'
WIRE SIZE	14 AWG	12 AWG
VOLTAGE AT END OF WIRE	46.56VDC	46.56VDC

PROJECT	FIXTURE TYPE	DATE
---------	--------------	------