



### DESCRIPTION

The Pure Smart™ CV96W Bridgebox DW enables wireless control of a constant voltage, Single Channel, Static White (excluding Warm Dim strip) LED load with the WIZ Pro wireless control ecosystem. The CV96W has both Wi-Fi and Bluetooth connectivity. No Hub Required. Voice control can be achieved by integrating with Alexa, Google Assistant, Siri Shortcuts, Smartthings, and IFTTT. Only for use with a non-dimmable driver (PSBR-96W-24VDC sold separately)

### APPLICATIONS

Indoor, dry locations only

### POWER INPUT

12V-24VDC

For use with Non-dimmable Driver

PSBR-96W-24VDC

### POWER OUTPUT

Class 2; 12V-24VDC, 1.7A max per channel

### EFFICIENCY

90%

### AMBIENT OPERATING TEMPERATURE

-20° C to 50° C

### WIZ APP

The WIZ app allows control from any mobile device. The app offers brightness control, scene selection, circadian rhythm, scheduling, and grouping. Works with Google Assistant, Amazon Alexa, Siri Shortcuts, IFTTT, and SmartThings. The app and CV96W Bridgebox are tuned to specific PureEdge curves, and ranges.

### PURE SMART ROOM CONTROLLER (SOLD SEPARATELY)

- [Pure Smart™ WIZ Pro 5-Channel Controllers](#)

### DIMMING CURVE

PWM Dimming, 2KHz 100-5%

### SECURITY

3rd party log-in and cloud security provide a safe and protected connection, WIZ does not store nor share any personal information.

### INSTALLATION

Intended for installation in Junction Box or PureEdge Power Feed (sold separately)

### CONNECTIVITY

Wi-Fi IEEE802.11b/g/n, BLE V4.2

	PSBR-60W-24VDC	PSBR-96W-24VDC	PSBR-2X96W-24VDC	PSBR-3X96W-24VDC
<b>SPECIFICATIONS</b>				
<b>MAXIMUM LOAD</b>	60W	96W	2X96W	3X96W
<b>INPUT VOLTAGE</b>	120-277VAC	120-277VAC	120-277VAC	120-277VAC
<b>OUTPUT VOLTAGE</b>	24VDC	24VDC	24VDC	24VDC
<b>DIMENSIONS</b>	12.15" X 6.48" X 2.18"	12.15" X 6.48" X 2.18"	14" X 10" X 3"	17" X 13" X 3"
<b>CLASS 2</b>	•	•	•	•
<b>IN-WALL MOUNTING</b>	•	•	•	•
<b>T-BAR MOUNTING</b>	•	•	•	•
<b>T-BAR CHICAGO PLENUM</b>	•	•	•	•

PROJECT		FIXTURE TYPE		DATE	
---------	--	--------------	--	------	--

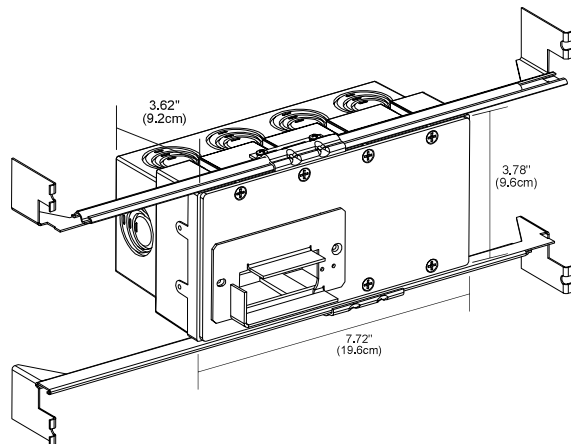
Product	Wattage	Color Temperature	System
<b>BRBOX</b>	<b>CV96W</b>	<b>DW</b>	<b>RL</b>
<b>BRBOX</b> Bridgebox	<b>CV96W</b> 96 Watts	<b>DW</b> Static White	<b>CG</b> Ceiling Geometric <b>CH</b> Chandeliers <b>CL</b> Ceiling Linear <b>DS</b> Display <b>FN</b> Flex Neon <b>LC</b> Light Channel <b>LZ</b> Lazer Line <b>RC</b> Recessed Circle <b>RV</b> Recessed Curved <b>RL</b> Recessed Linear <b>RS</b> Recessed Square <b>SB</b> Saber/Saber Mini <b>SG</b> Suspension Geometric <b>SL</b> Suspension Linear <b>SS</b> Soft/Stomp/LED Strip <b>VN</b> Vanity/Mirror

**SYSTEM REFERENCE**

SYSTEM	CATEGORY	PRODUCT FAMILIES	SYSTEM	CATEGORY	PRODUCT FAMILIES				
<b>CG</b>	Ceiling Geometric	Cirrus MIYO	<b>RL</b>	Recessed Linear	Reveal				
		Geo Form			Truline				
		Free Form			Truline Trim				
		Nova MIYO			Veil				
<b>CH</b>	Chandeliers	Pipeline Vertex	<b>RS</b>	Recessed Square	TruQuad				
		Pix Stix Cirrus			<b>SB</b>	Saber	Saber/Saber Mini		
		Pix Stix Tie Stix					<b>SG</b>	Suspension Geometric	Cirrus MIYO
		Pix Stix Zipp							Nova MIYO
Pix Stix Zipp Wave	Nova Up/Down MIYO								
<b>CL</b>	Ceiling Linear	Cirrus Ceiling	<b>SL</b>	Suspension Linear	Cirrus Suspension				
		Glide Ceiling			Glide Suspension				
		Nova Ceiling			Nova Suspension				
		Pipeline Ceiling			Pipeline Suspension				
		Zipp Ceiling			Ties Stix Suspension				
<b>DS</b>	Display	Pipeline	<b>SS</b>	Soft/Stomp/LED Strip	LED Strip Static/Monochromatic				
<b>FN</b>	Flex Neon	Flex Neon			<b>VN</b>	Vanity/Mirror	Audrey		
<b>LC</b>	Light Channel	Light Channel .3					Mirrors		
		Light Channel Micro Grazer					Pipeline		
		Light Channel Recessed Millwork	Tie Stix						
		Light Channel Surface Mount	Twiggy						
<b>LZ</b>	Lazer Line	Lazer Line							
<b>RC</b>	Recessed Circle	TruCirque							
<b>RV</b>	Recessed Curve	TruArch							
		TruCurve							

**ADDITIONAL COMPONENTS**

CV96W fits inside 4 gang junction box.



**PURE SMART 4 GANG JUNCTION BOX**

Includes a 4 gang Junction Box with adjustable bar hangers. This part can be quick shipped if needed for rough in. Two Class 2, 14 AWG stranded conductors from remote located power supply to JB4G Junction Box.

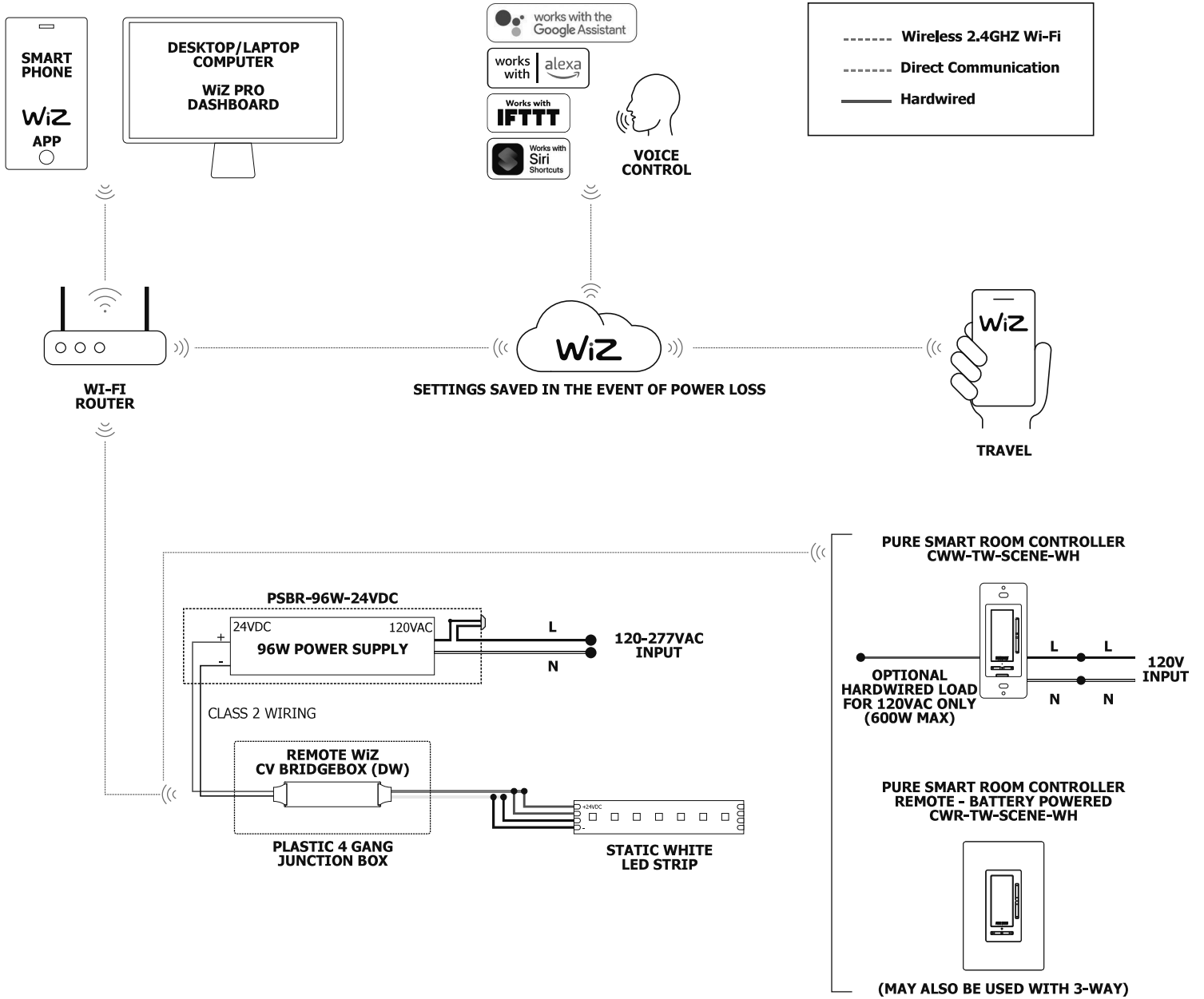
Size	Ceiling/Wall Type
<b>1RE</b>	<b>JB4G</b>
<b>1RE</b> 1" Rectangle End Feed	<b>JB4G</b> 6 Conductor 4 Gang Junction Box

PROJECT	FIXTURE TYPE	DATE
---------	--------------	------

# PURE SMART™ CV96W DW BRIDGEBOX

12V-24VDC, SINGLE CHANNEL STATIC WHITE, CONNECTED BY WIZ PRO

## NETWORK TOPOLOGY & WIRING DIAGRAMS



PROJECT		FIXTURE TYPE		DATE	
---------	--	--------------	--	------	--



### DESCRIPTION:

The Pure Smart™ Wi-Fi Room Controller works with any WIZ Connected Smart fixtures/lamps. The Room Controller grants independent adjustment of both color temperature and intensity, as well as scene selection for Single Channel/Static, Tunable White, and TruColor™ RGBTW Fixtures. Four preset scenes can be associated with the room controller via the WIZ App. Custom scenes can be created using multiple layers of light, colors, and can include Pure Smart Wi-Fi Dimmer and Switch as well. No Hub required. Room Controller communicates with fixtures directly on the Local Area Network allowing for control even if the Wi-Fi goes down. Compatible with WIZ Connected fixtures only. For custom quotes and layout assistance, send your drawings and ideas to our design team: [design@PureEdgeLighting.com](mailto:design@PureEdgeLighting.com).

### OPERATION

Features ON/OFF buttons, CCT and brightness control rockers, and 4 preset/custom scene selections. Maximum output of 600W for hardwired WIZ Connected devices. No load restriction when load wire is not used and devices are connected wirelessly to Room Controller. Communicates with 2.4GHz Wi-Fi only. No Hub Required.

### SECURITY

3rd party log-in and cloud security provide a safe and protected connection. WIZ does not store nor share any personal information.

### EASY INSTALLATION

The Pure Smart™ Wi-Fi Room Controller installs just like a traditional dimmer. 120V power is all that is needed. Switch leg is optional for CWW-TW-SCENE-WH. This is also offered in a completely wireless version (See Pure Smart Remote Room Controller CWR-TW-SCENE-WH). Compatible with standard gangable boxes. Requires neutral wire. No Hub Required. Single Pole or 3-way compatible. 3-way can be achieved by assigning two room controllers (CWW-TW-SCENE or CWR-TW-SCENE-WH) to the same target/room/fixture. 3-way can also be achieved with a room controller in combination with the Pure Smart Dimmer (SWW-DIM-WH), or the Pure Smart Switch (SWW-SWT-WH) by assigning the dimmer or switch as a target to the room controller.

### WIZ APP

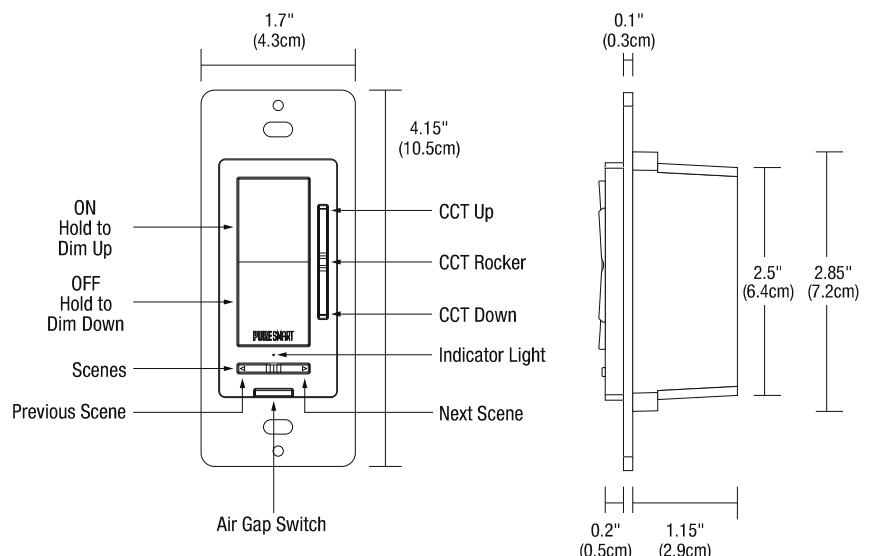
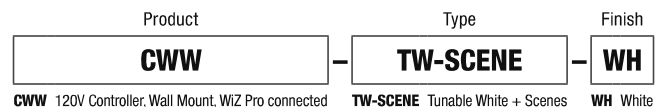
The Room Controller is added as an accessory in the WIZ app (Available on iOS or Android) and communicates directly to the WIZ enabled light fixture via direct wi-fi signal on Local Area Network (LAN). Voice control enabled when used in conjunction with Google Assistant, Siri, Alexa, IFTTT, and SmartThings. Grouping, zoning, scheduling, and custom scenes can all be programmed with the WIZ app or WIZ Pro Dashboard.

### BODY

Durable polycarbonate body, compatible with decorator style wall plate (not included).

## SPECIFICATIONS

Approved Location	Dry / Indoor
Input Voltage	120Vac - 60 Hz
Certification	cULus, FCC
Compatible Load(s)	WIZ Connected products only
Maximum Power	600W (Hardwired Loads), No Maximum for Wireless Loads
Output Current	5A
Power Consumption	Relay OFF: 0.07W Soft OFF: 0.79W ON: 0.79W
Dimming	Dims to 3%
Operating Temperature	23°F~113°F (-5°C~45°C)
Wireless Frequency	2.4GHz
Wireless Standard	IEEE 802.11
Warranty	3 Year



PROJECT	FIXTURE TYPE	DATE
---------	--------------	------



### DESCRIPTION:

The Pure Smart™ Wi-Fi Remote Room Controller works with any WiZ Connected Smart fixtures/lamps. The Remote Room Controller is powered by four AAA batteries (not included) and grants independent adjustment of color temperature and intensity, as well as scene selection for four favorite scenes which are selected and assigned to the room controller in the WiZ App. The four favorited scenes, as with any scene in the WiZ ecosystem, can consist of any combination of products including bulbs, luminaires, or smart controls and can support any combination of color ranges including static white or dimmable white, Tunable White, and Tricolor RGBTW allowing for intricate customization and control. No Hub required. Room Controller communicates with fixtures directly on the Local Area Network allowing for control even if the Wi-Fi goes down. Compatible with WiZ Connected fixtures only. For custom quotes and layout assistance, send your drawings and ideas to our design team: [design@PureEdgeLighting.com](mailto:design@PureEdgeLighting.com).

### OPERATION

Dimming, CCT control rocker, and a scene control toggle. No load maximum. Communicates with 2.4GHz Wi-Fi only. No Hub Required.

### EASY INSTALLATION

The Pure Smart™ Wi-Fi Remote Room Controller is powered by 4 AAA batteries (not included) and is therefore completely wireless. Multiple mounting methods available including to a standard switch box, on the wall with the included drywall anchors or adhesive strip, or kept on a tabletop with the rubber pads that help to keep it stationary. Single Pole or 3-way compatible with Pure Smart Dimmer (SWW-DIM-WH), Pure Smart Switch (SWW-SWT-WH), 120V Room Controller (CWW-TV-SCENE-WH) and another Remote Room Controller. No wires. No hub. Total control.

### WIZ APP

The Room Controller is added as an accessory in the WiZ app (Available on iOS or Android) and communicates directly to the WiZ enabled light fixture via direct wi-fi signal on Local Area Network (LAN). Voice control enabled when used in conjunction with Google Assistant, Siri, Alexa, IFTTT, and SmartThings. Grouping, zoning, scheduling, and custom scenes can all be programmed with the WiZ app or WiZ Pro Dashboard.

### BODY

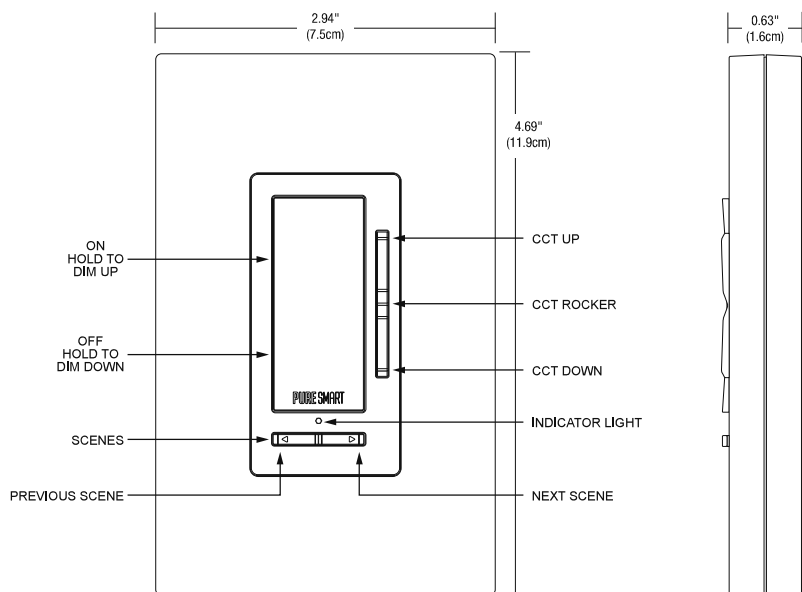
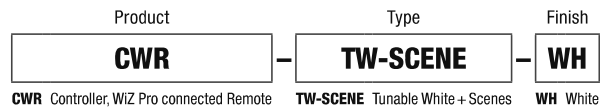
Durable polycarbonate body.

### SECURITY

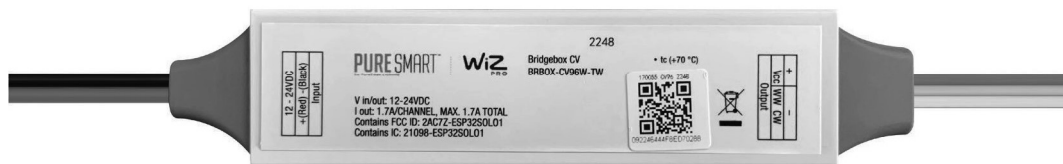
3rd party log-in and cloud security provide a safe and protected connection. WiZ does not store nor share any personal information.

## SPECIFICATIONS

Approved Location	Dry / Indoor
Input Voltage	4 AAA batteries (not included)
Certification	cULus, FCC
Compatible Load(s)	WiZ Connected products only
Maximum Power	No Load Maximum
Output Current	5A
Power Consumption	Relay OFF: 0.07W Soft OFF: 0.79W ON: 0.79W
Dimming	Dims to 3%
Operating Temperature	23°F~113°F (-5°C~45°C)
Wireless Frequency	2.4GHz
Wireless Standard	IEEE 802.11
Warranty	3 Year



PROJECT	FIXTURE TYPE	DATE
---------	--------------	------



### DESCRIPTION

The Pure Smart™ CV96W TW Bridgebox enables wireless control of a constant voltage, 2 Channel, Tunable White LED load with the WIZ Pro wireless control ecosystem. The CV96W has both Wi-Fi and Bluetooth connectivity. No Hub Required. Voice control can be achieved by integrating with Alexa, Google Assistant, Siri Shortcuts, SmartThings, and IFTTT. Only for use with PSBR-96W-24VDC Power Supply for Remote Bridgebox (Sold separately).

### APPLICATIONS

Indoor, Dry locations only

### POWER INPUT

12V-24VDC

For use with Non-dimmable Driver

PSBR-96W-24VDC

### POWER OUTPUT

Class 2; 12V-24VDC, 1.7A max per channel

### EFFICIENCY

90%

### AMBIENT OPERATING TEMPERATURE

-13°F to 104°F (-25°C to 40°C)

### WIZ APP

The WIZ app allows control from any mobile device. The app offers CCT and brightness control as well as scene control, dynamic light modes, circadian rhythm, and scheduling. Works with Google Assistant, Amazon Alexa, Siri Shortcuts, IFTTT, and SmartThings. The app and CV Controller are tuned to specific PureEdge TW curves, and ranges.

### PURE SMART ROOM CONTROLLER (SOLD SEPARATELY)

- [Pure Smart™ WIZ Pro 5-Channel Controllers](#)

### DIMMING CURVE

PWM Dimming, 2KHz 100-5%

### SECURITY

3rd party log-in and cloud security provide a safe and protected connection, WIZ does not store nor share any personal information.

### INSTALLATION

Intended for installation in Junction Box or PureEdge Power Feed (Sold Separately)

### CONNECTIVITY

Wi-Fi IEEE802.11b/g/n, BLE V4.2

	PSBR-60W-24VDC	PSBR-96W-24VDC	PSBR-2X96W-24VDC	PSBR-3X96W-24VDC
	<b>SPECIFICATIONS</b>			
<b>MAXIMUM LOAD</b>	<b>60W</b>	<b>96W</b>	<b>2X96W</b>	<b>3X96W</b>
<b>INPUT VOLTAGE</b>	120-277VAC	120-277VAC	120-277VAC	120-277VAC
<b>OUTPUT VOLTAGE</b>	24VDC	24VDC	24VDC	24VDC
<b>DIMENSIONS</b>	12.15" X 6.48" X 2.18"	12.15" X 6.48" X 2.18"	14" X 10" X 3"	17" X 13" X 3"
<b>CLASS 2</b>	•	•	•	•
<b>IN-WALL MOUNTING</b>	•	•	•	•
<b>T-BAR MOUNTING</b>	•	•	•	•
<b>T-BAR CHICAGO PLENUM</b>	•	•	•	•

PROJECT		FIXTURE TYPE		DATE	
---------	--	--------------	--	------	--

# PURE SMART™ CV96W TW BRIDGEBOX WIFI ADAPTER

12V-24VDC, 2 CHANNEL, TUNABLE WHITE, CONNECTED BY WIZ PRO

ASSEMBLED IN AMERICA

REV 04.19.24

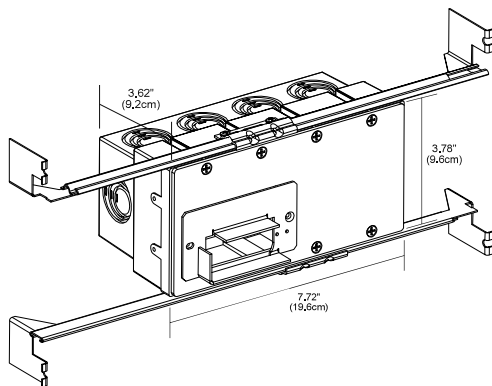
Product	Wattage	Color Temperature	System
<b>BRBOX</b>	<b>CV96W</b>	<b>TW</b>	<b>RL</b>
BRBOX Bridgebox	CV96W 96 Watts	TW Tunable White 2000-6500K	<b>CG</b> Ceiling Geometric <b>CH</b> Chandeliers <b>CL</b> Ceiling Linear <b>DS</b> Display <b>FN</b> Flex Neon <b>LC</b> Light Channel <b>LZ</b> Lazer Line <b>RC</b> Recessed Circle <b>RV</b> Recessed Curved <b>RL</b> Recessed Linear <b>RS</b> Recessed Square <b>SB</b> Saber/Saber Mini <b>SG</b> Suspension Geometric <b>SL</b> Suspension Linear <b>SS</b> Soft/Stomp/LED Strip <b>VN</b> Vanity/Mirror

## SYSTEM REFERENCE

SYSTEM	CATEGORY	PRODUCT FAMILIES	SYSTEM	CATEGORY	PRODUCT FAMILIES		
<b>CG</b>	Ceiling Geometric	Cirrus MIYO	<b>RS</b>	Recessed Square	TruQuad		
		Geo Form			<b>SB</b>	Saber	Saber/Saber Mini
<b>CH</b>	Chandeliers	Pix Stix Cirrus	<b>SG</b>	Suspension Geometric	Cirrus MIYO		
		Pix Stix Tie Stix			Nova MIYO		
		Pix Stix Zipp			Pipeline MIYO		
		Pix Stix Zipp Wave			Zipp MIYO		
<b>CL</b>	Ceiling Linear	Cirrus Ceiling	<b>SL</b>	Suspension Linear	Cirrus Suspensions		
		Glide Ceiling			Glide Suspensions		
		Nova Ceiling			Nimbus Glide Suspensions		
		Zipp Ceiling			Nova Suspensions		
<b>FN</b>	Flex Neon	Flex Neon			Pipeline Suspensions		
<b>LC</b>	Light Channel	Light Channel Micro Grazer	<b>SS</b>	Soft/Stomp/LED Strip	Zipp Suspensions		
		Light Channel Recessed Millwork			<b>VN</b>	Vanity/Mirror	LED Strip Tunable White
		Light Channel Surface Mount				Audrey	
<b>LZ</b>	Lazer Line	Lazer Line			Mirrors		
<b>RC</b>	Recessed Circle	TruCirque			Tie Stix		
<b>RV</b>	Recessed Curve	TruArch			Twiggy		
		TruCurve					
<b>RL</b>	Recessed Linear	Reveal					
		Truline					
		Truline Trim					
		Veil					
		Verge					

## ADDITIONAL COMPONENTS

CV96W fits inside 4 gang junction box.



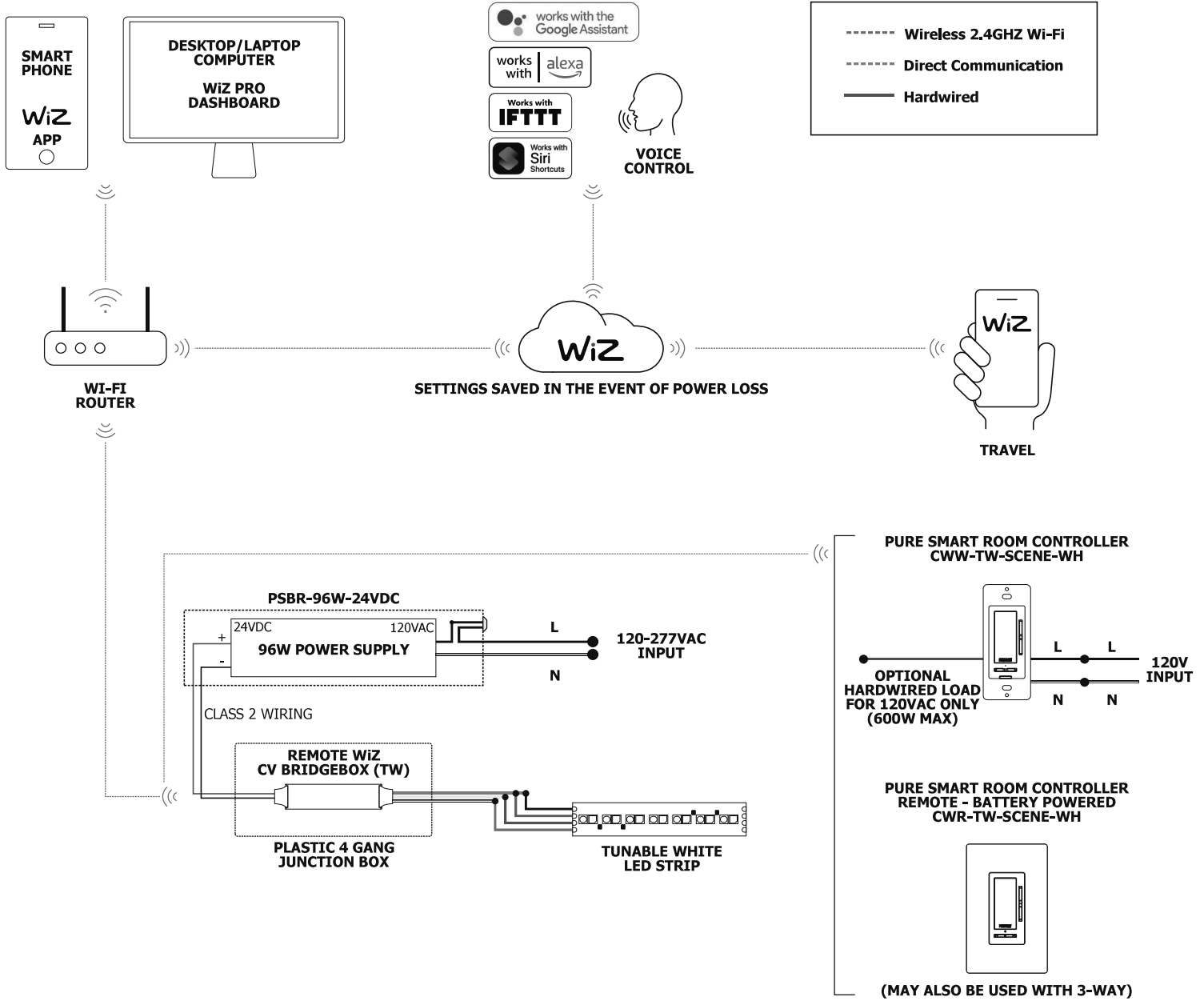
### PURE SMART 4 GANG JUNCTION BOX

Includes a 4 gang Junction Box with adjustable bar hangers. This part can be quick shipped if needed for rough in. Two Class 2, 14 AWG stranded conductors from remote located power supply to JB4G Junction Box.

Size	Ceiling/Wall Type
<b>1RE</b>	<b>JB4G</b>
1RE 1" Rectangle End Feed	JB4G 6 Conductor 4 Gang Junction Box

PROJECT	FIXTURE TYPE	DATE
---------	--------------	------

**NETWORK TOPOLOGY & WIRING DIAGRAMS**



PROJECT		FIXTURE TYPE		DATE	
---------	--	--------------	--	------	--



### DESCRIPTION:

The Pure Smart™ Wi-Fi Room Controller works with any WiZ Connected Smart fixtures/lamps. The Room Controller grants independent adjustment of both color temperature and intensity, as well as scene selection for Single Channel/Static, Tunable White, and TruColor™ RGBTW Fixtures. Four preset scenes can be associated with the room controller via the WiZ App. Custom scenes can be created using multiple layers of light, colors, and can include Pure Smart Wi-Fi Dimmer and Switch as well. No Hub required. Communicates to the WiZ app and WiZ Pro Dashboard through connection to 2.4GHz Wi-Fi and the cloud. Room Controller communicates with fixtures directly on the Local Area Network allowing for control even if the Wi-Fi goes down. Compatible with WiZ Connected fixtures only. For custom quotes and layout assistance, send your drawings and ideas to our design team: [design@PureEdgeLighting.com](mailto:design@PureEdgeLighting.com).

### OPERATION

Features ON/OFF buttons, CCT and brightness control rockers, and 4 preset/custom scene selections. Maximum output of 600W for hardwired WiZ Connected devices. No load restriction when load wire is not used and devices are connected wirelessly to Room Controller. Communicates with 2.4GHz Wi-Fi only. No Hub Required.

### EASY INSTALLATION

The Pure Smart™ Wi-Fi Room Controller installs just like a traditional dimmer. Compatible with standard gangable boxes. Requires neutral wire. No Hub Required.

### WIZ APP

The Room Controller is added as an accessory in the WiZ app (Available on iOS or Android) and communicates directly to the WiZ enabled light fixture via direct wi-fi signal on Local Area Network (LAN). Voice control enabled when used in conjunction with Google Assistant, Siri, Alexa, IFTTT, and SmartThings. Grouping, zoning, scheduling, and custom scenes can all be programmed with the WiZ app or WiZ Pro Dashboard.

### BODY

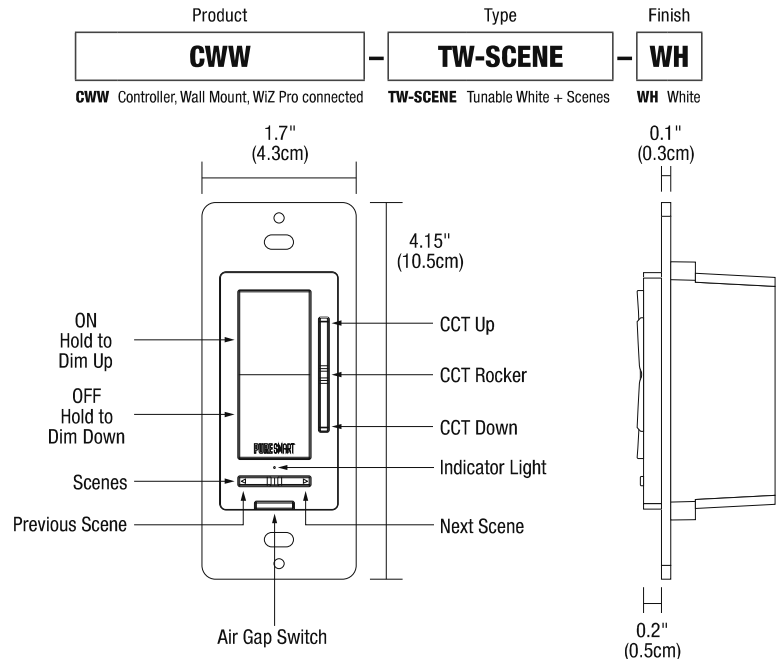
Durable polycarbonate body, compatible with decorator style wall plate (not included).

### SECURITY

3rd party log-in and cloud security provide a safe and protected connection. WiZ does not store nor share any personal information.

## SPECIFICATIONS

Approved Location	Dry / Indoor
Input Voltage	120Vac - 60 Hz
Certification	cULus, FCC
Compatible Load(s)	WiZ Connected products only
Maximum Power	600W (Hardwired Loads), No Maximum for Wireless Loads
Output Current	5A
Power Consumption	Relay OFF: 0.07W Soft OFF: 0.79W ON: 0.79W
Dimming	Dims to 3%
Operating Temperature	23°F~113°F (-5°C~45°C)
Wireless Frequency	2.4GHz
Wireless Standard	IEEE 802.11
Warranty	3 Year



PROJECT	FIXTURE TYPE	DATE
---------	--------------	------



### DESCRIPTION:

The Pure Smart™ Wi-Fi Remote Room Controller works with any WiZ Connected Smart fixtures/lamps. The Remote Room Controller is powered by four AAA batteries and grants independent adjustment of color temperature and intensity, as well as scene selection for four favorite scenes which are selected and assigned to the room controller in the WiZ App. The four favorited scenes, as with any scene in the WiZ ecosystem, can consist of any combination of products including bulbs, luminaires, or smart controls and can support any combination of color ranges including static white or dimmable white, Tunable White, and Tricolor RGBTW allowing for intricate customization and control. No Hub required. Room Controller communicates with fixtures directly on the Local Area Network allowing for control even if the Wi-Fi goes down. Compatible with WiZ Connected fixtures only. For custom quotes and layout assistance, send your drawings and ideas to our design team: [design@PureEdgeLighting.com](mailto:design@PureEdgeLighting.com).

### OPERATION

Dimming, CCT control rocker, and a scene control toggle. No load maximum. Communicates with 2.4GHz Wi-Fi only. No Hub Required.

### EASY INSTALLATION

The Pure Smart™ Wi-Fi Remote Room Controller is powered by 4 AAA batteries and is therefore completely wireless. Multiple mounting methods available including to a standard switch box, on the wall with the included drywall anchors or adhesive strip, or kept on a tabletop with the rubber pads that help to keep it stationary. Single Pole or 3-way compatible with Pure Smart Dimmer (SWW-DIM-WH), Pure Smart Switch (SWW-SWT-WH), 120V Room Controller (CWW-TW-SCENE-WH) and another Remote Room Controller. No wires. No hub. Total control.

### WIZ APP

The Room Controller is added as an accessory in the WiZ app (Available on iOS or Android) and communicates directly to the WiZ enabled light fixture via direct wi-fi signal on Local Area Network (LAN). Voice control enabled when used in conjunction with Google Assistant, Siri, Alexa, IFTTT, and SmartThings. Grouping, zoning, scheduling, and custom scenes can all be programmed with the WiZ app or WiZ Pro Dashboard.

### BODY

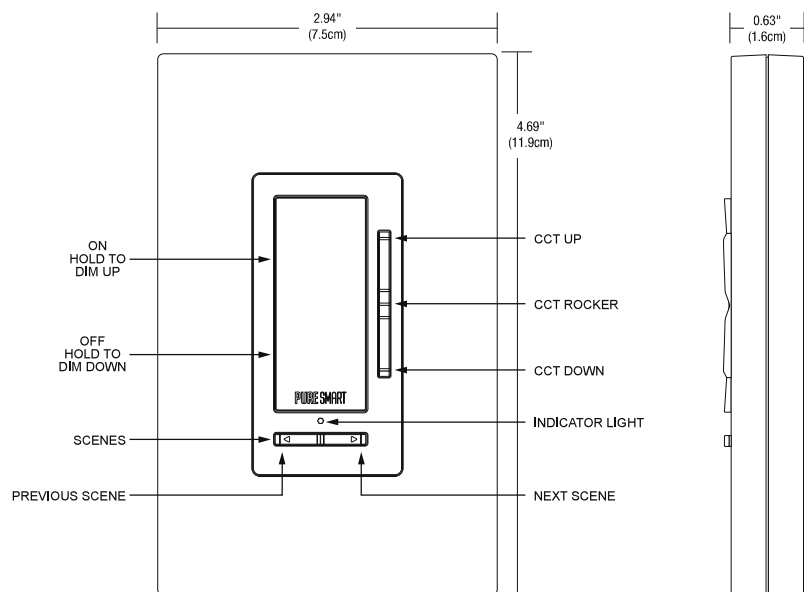
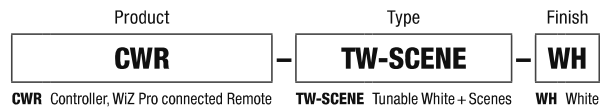
Durable polycarbonate body.

### SECURITY

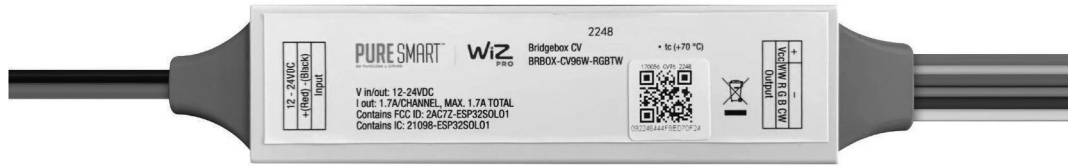
3rd party log-in and cloud security provide a safe and protected connection. WiZ does not store nor share any personal information.

## SPECIFICATIONS

Approved Location	Dry / Indoor
Input Voltage	4 AAA batteries
Certification	cULus, FCC
Compatible Load(s)	WiZ Connected products only
Maximum Power	No Load Maximum
Output Current	5A
Power Consumption	Relay OFF: 0.07W Soft OFF: 0.79W ON: 0.79W
Dimming	Dims to 3%
Operating Temperature	23°F~113°F (-5°C~45°C)
Wireless Frequency	2.4GHz
Wireless Standard	IEEE 802.11
Warranty	3 Year



PROJECT	FIXTURE TYPE	DATE
---------	--------------	------



**DESCRIPTION**

The Pure Smart™ Type CV96W RGBTW Bridgebox enables wireless control of a constant voltage, 5 Channel RGBTW LED load with the WIZ Pro wireless control ecosystem. The CV96W has both Wi-Fi and Bluetooth connectivity. No Hub Required. Voice control can be achieved by integrating with Alexa, Google Assistant, Siri Shortcuts, SmartThings, and IFTTT. Only for use with PSBR-96W-24VDC Power Supply for Remote Bridgebox (sold separately).

**APPLICATIONS**

Indoor, Dry locations only

**POWER INPUT**

12V-24VDC, Class 2 wiring  
For use with Non-Dim PSB  
PSBR-96W-24VDC

**POWER OUTPUT**

Class 2; 12V-24VDC, 1.7A max per channel

**EFFICIENCY**

90%

**AMBIENT OPERATING TEMPERATURE**

-20° C to 50° C

**WIZ APP**

The WIZ app allows control from any mobile device. The app offers CCT and brightness control as well as scene selection, dynamic light modes, circadian rhythm, scheduling, and grouping. Works with Google Assistant, Amazon Alexa, Siri Shortcuts, IFTTT, and SmartThings. The app and CV Controller are tuned to specific PureEdge RGBTW curves, and ranges.

**POWER SUPPLIES\* & CONTROLS (SOLD SEPARATELY)**

- [Pure Smart™ WIZ Pro PSBR Power Supplies](#)  
Pure Smart™ PSBR Power Supply for Remote Bridgebox is developed to support Pure Smart TC TruColor RGBTW luminaires connected by WIZ Pro.
- [Pure Smart™ WIZ Pro 5-Channel Controllers](#)

**DIMMING CURVE**

PWM 2kHz, 100-5% dimming

**SECURITY**

3rd party log-in and cloud security provide a safe and protected connection, WIZ does not store nor share any personal information.

**INSTALLATION**

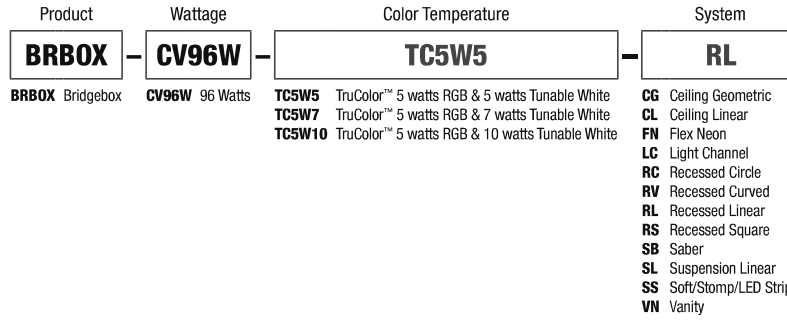
Intended for installation in Junction Box or PureEdge Power Feed (Sold Separately)

**CONNECTIVITY**

Wi-Fi IEEE802.11b/g/n, BLE V4.2

	PSBR-60W-24VDC	PSBR-96W-24VDC	PSBR-2X96W-24VDC	PSBR-3X96W-24VDC
	<b>SPECIFICATIONS</b>			
<b>MAXIMUM LOAD</b>	60W	96W	2X96W	3X96W
<b>INPUT VOLTAGE</b>	120-277VAC	120-277VAC	120-277VAC	120-277VAC
<b>OUTPUT VOLTAGE</b>	24VDC	24VDC	24VDC	24VDC
<b>DIMENSIONS</b>	12.15" X 6.48" X 2.18"	12.15" X 6.48" X 2.18"	14" X 10" X 3"	17" X 13" X 3"
<b>CLASS 2</b>	•	•	•	•
<b>IN-WALL MOUNTING</b>	•	•	•	•
<b>T-BAR MOUNTING</b>	•	•	•	•
<b>T-BAR CHICAGO PLENUM</b>	•	•	•	•

PROJECT		FIXTURE TYPE		DATE	
---------	--	--------------	--	------	--



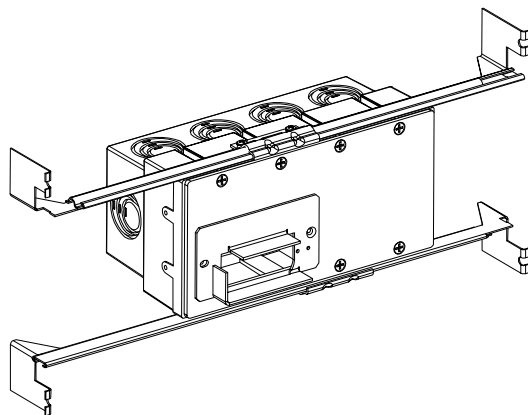
**SYSTEM REFERENCE**

SYSTEM	CATEGORY	PRODUCT FAMILIES
<b>CG</b>	Ceiling Geometric	Geo Form
<b>CL</b>	Ceiling Linear	Cirrus Ceiling
		Glide Ceiling
		Nova Ceiling
		Zipp Ceiling
<b>FN</b>	Flex Neon	Flex Neon
<b>LC</b>	Light Channel	Light Channel Micro Grazer
		Light Channel Recessed Millwork
		Light Channel Surface Mount
<b>RC</b>	Recessed Circle	TruCirque
<b>RV</b>	Recessed Curve	TruArch
		TruCurve
<b>RL</b>	Recessed Linear	Reveal
		Truline
		Truline Trim
		Veil
		Verge

SYSTEM	CATEGORY	PRODUCT FAMILIES
<b>RS</b>	Recessed Square	TruQuad
<b>SB</b>	Saber	Saber
<b>SL</b>	Suspension Linear	Cirrus Suspensions
		Glide Suspensions
		Nimbus Glide Suspensions
		Nova Suspensions
		Zipp Suspensions
<b>SS</b>	Soft Strip/LED Strip	RGBTW TruColor™ Strip
<b>VN</b>	Vanity	Audrey
		Mirrors
		Tie Stix
		Twiggy

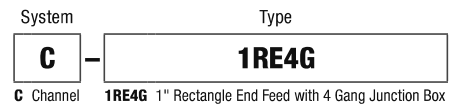
**ADDITIONAL COMPONENTS**

CV96W fits inside 4 gang junction box.



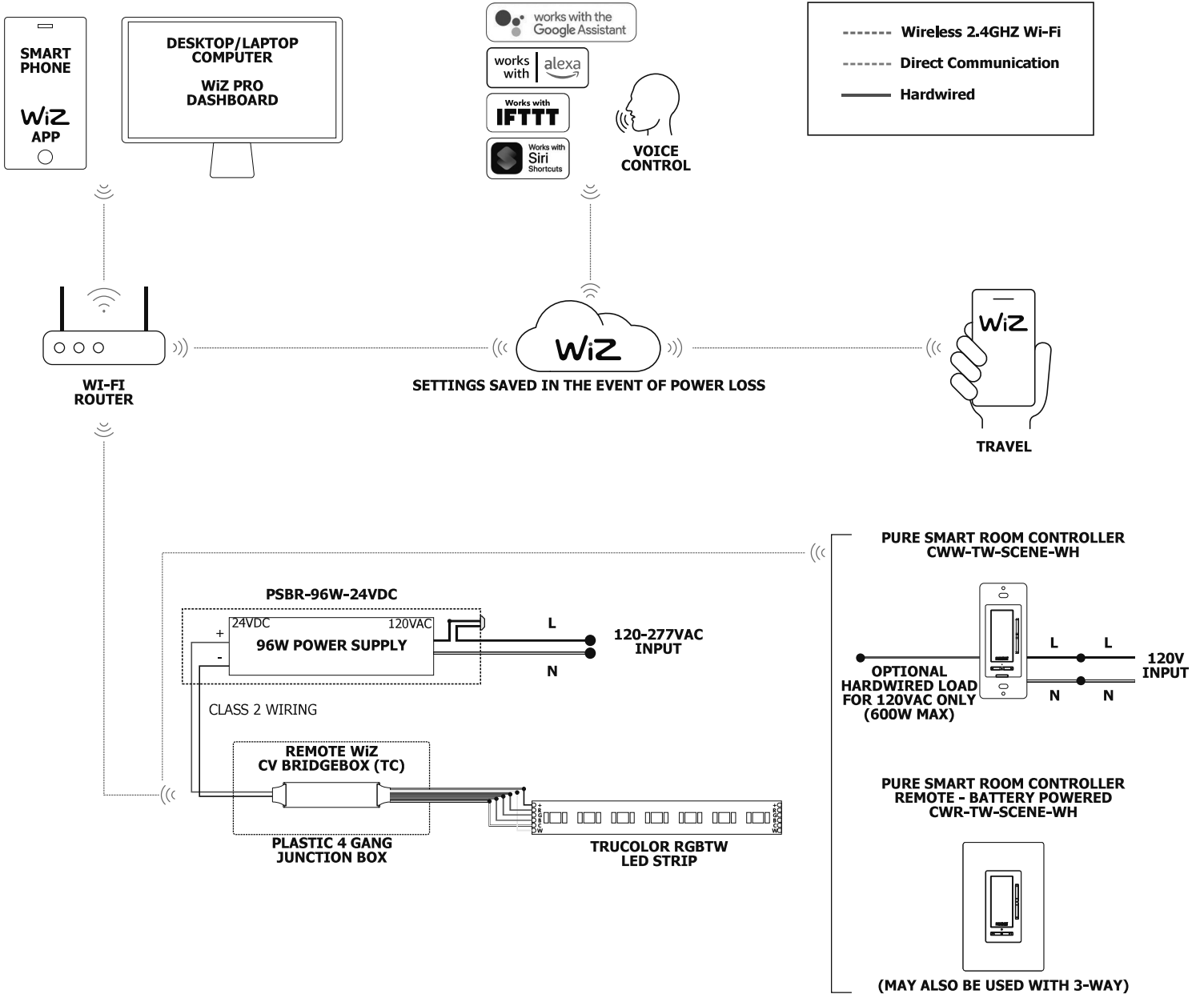
**4 GANG JUNCTION BOX WITH MOUNTING PLATE**

Includes a 4 gang Junction Box with adjustable bar hangers. Two Class 2, 14 AWG stranded conductors from remote located power supply are required per WIZ Pro CV Bridgebox used.



PROJECT	FIXTURE TYPE	DATE
---------	--------------	------

**NETWORK TOPOLOGY & WIRING DIAGRAMS**



PROJECT		FIXTURE TYPE		DATE	
---------	--	--------------	--	------	--



### DESCRIPTION:

The Pure Smart™ Wi-Fi Room Controller works with any WiZ Connected Smart fixtures/lamps. The Room Controller grants independent adjustment of both color temperature and intensity, as well as scene selection for Single Channel/Static, Tunable White, and TruColor™ RGBTW Fixtures. Four preset scenes can be associated with the room controller via the WiZ App. Custom scenes can be created using multiple layers of light, colors, and can include Pure Smart Wi-Fi Dimmer and Switch as well. No Hub required. Room Controller communicates with fixtures directly on the Local Area Network allowing for control even if the Wi-Fi goes down. Compatible with WiZ Connected fixtures only. For custom quotes and layout assistance, send your drawings and ideas to our design team: [design@PureEdgeLighting.com](mailto:design@PureEdgeLighting.com).

### OPERATION

Features ON/OFF buttons, CCT and brightness control rockers, and 4 preset/custom scene selections. Maximum output of 600W for hardwired WiZ Connected devices. No load restriction when load wire is not used and devices are connected wirelessly to Room Controller. Communicates with 2.4GHz Wi-Fi only. No Hub Required.

### SECURITY

3rd party log-in and cloud security provide a safe and protected connection. WiZ does not store nor share any personal information.

### EASY INSTALLATION

The Pure Smart™ Wi-Fi Room Controller installs just like a traditional dimmer. 120V power is all that is needed. Switch leg is optional for CWW-TW-SCENE-WH. This is also offered in a completely wireless version (See Pure Smart Remote Room Controller CWR-TW-SCENE-WH). Compatible with standard gangable boxes. Requires neutral wire. No Hub Required. Single Pole or 3-way compatible. 3-way can be achieved by assigning two room controllers (CWW-TW-SCENE or CWR-TW-SCENE-WH) to the same target/room/fixture. 3-way can also be achieved with a room controller in combination with the Pure Smart Dimmer (SWW-DIM-WH), or the Pure Smart Switch (SWW-SWT-WH) by assigning the dimmer or switch as a target to the room controller.

### WIZ APP

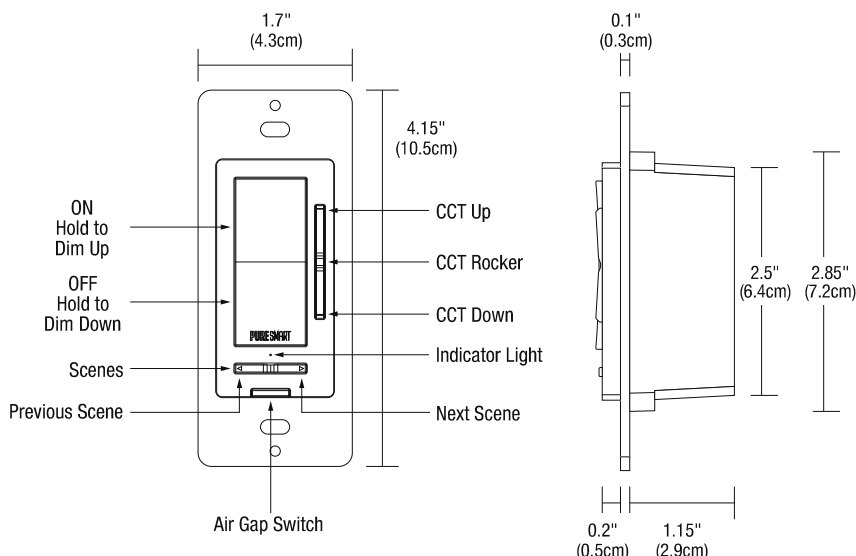
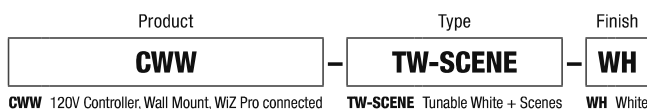
The Room Controller is added as an accessory in the WiZ app (Available on iOS or Android) and communicates directly to the WiZ enabled light fixture via direct wi-fi signal on Local Area Network (LAN). Voice control enabled when used in conjunction with Google Assistant, Siri, Alexa, IFTTT, and SmartThings. Grouping, zoning, scheduling, and custom scenes can all be programmed with the WiZ app or WiZ Pro Dashboard.

### BODY

Durable polycarbonate body, compatible with decorator style wall plate (not included).

## SPECIFICATIONS

Approved Location	Dry / Indoor
Input Voltage	120Vac - 60 Hz
Certification	cULus, FCC
Compatible Load(s)	WiZ Connected products only
Maximum Power	600W (Hardwired Loads), No Maximum for Wireless Loads
Output Current	5A
Power Consumption	Relay OFF: 0.07W Soft OFF: 0.79W ON: 0.79W
Dimming	Dims to 3%
Operating Temperature	23°F~113°F (-5°C~45°C)
Wireless Frequency	2.4GHz
Wireless Standard	IEEE 802.11
Warranty	3 Year



PROJECT	FIXTURE TYPE	DATE
---------	--------------	------



# PURE SMART™ Wi-Fi REMOTE ROOM CONTROLLER

CONNECTED BY WIZ PRO FOR TABLE TOP OR WALL



REV 10.29.24



## DESCRIPTION:

The Pure Smart™ Wi-Fi Remote Room Controller works with any WiZ Connected Smart fixtures/lamps. The Remote Room Controller is powered by four AAA batteries (not included) and grants independent adjustment of color temperature and intensity, as well as scene selection for four favorite scenes which are selected and assigned to the room controller in the WiZ App. The four favorited scenes, as with any scene in the WiZ ecosystem, can consist of any combination of products including bulbs, luminaires, or smart controls and can support any combination of color ranges including static white or dimmable white, Tunable White, and Tricolor RGBTW allowing for intricate customization and control. No Hub required. Room Controller communicates with fixtures directly on the Local Area Network allowing for control even if the Wi-Fi goes down. Compatible with WiZ Connected fixtures only. For custom quotes and layout assistance, send your drawings and ideas to our design team: [design@PureEdgeLighting.com](mailto:design@PureEdgeLighting.com).

## OPERATION

Dimming, CCT control rocker, and a scene control toggle. No load maximum. Communicates with 2.4GHz Wi-Fi only. No Hub Required.

## EASY INSTALLATION

The Pure Smart™ Wi-Fi Remote Room Controller is powered by 4 AAA batteries (not included) and is therefore completely wireless. Multiple mounting methods available including to a standard switch box, on the wall with the included drywall anchors or adhesive strip, or kept on a tabletop with the rubber pads that help to keep it stationary. Single Pole or 3-way compatible with Pure Smart Dimmer (SWW-DIM-WH), Pure Smart Switch (SWW-SWT-WH), 120V Room Controller (CWW-TV-SCENE-WH) and another Remote Room Controller. No wires. No hub. Total control.

## WiZ APP

The Room Controller is added as an accessory in the WiZ app (Available on iOS or Android) and communicates directly to the WiZ enabled light fixture via direct wi-fi signal on Local Area Network (LAN). Voice control enabled when used in conjunction with Google Assistant, Siri, Alexa, IFTTT, and SmartThings. Grouping, zoning, scheduling, and custom scenes can all be programmed with the WiZ app or WiZ Pro Dashboard.

## BODY

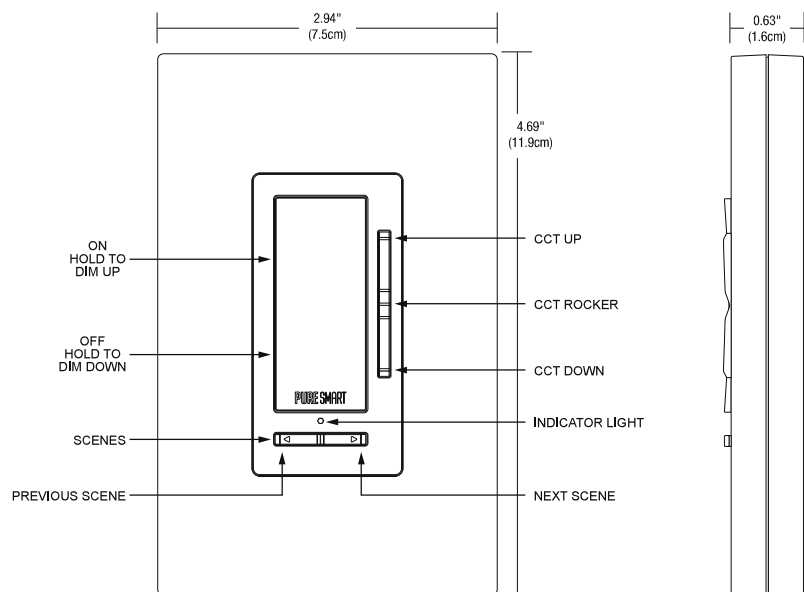
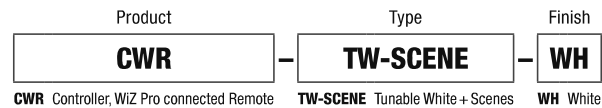
Durable polycarbonate body.

## SECURITY

3rd party log-in and cloud security provide a safe and protected connection. WiZ does not store nor share any personal information.

## SPECIFICATIONS

Approved Location	Dry / Indoor
Input Voltage	4 AAA batteries (not included)
Certification	cULus, FCC
Compatible Load(s)	WiZ Connected products only
Maximum Power	No Load Maximum
Output Current	5A
Power Consumption	Relay OFF: 0.07W Soft OFF: 0.79W ON: 0.79W
Dimming	Dims to 3%
Operating Temperature	23°F~113°F (-5°C~45°C)
Wireless Frequency	2.4GHz
Wireless Standard	IEEE 802.11
Warranty	3 Year



PROJECT	FIXTURE TYPE	DATE
---------	--------------	------