



DESCRIPTION

The Pure Smart™ Wi-Fi PSBB DW Power Supply contains a Wi-Fi enabled WiZ Pro Type UR Bridgebox which allows for integration into the WiZ Pro Wireless control ecosystem. No hub required and provides single channel control of Static White LED strips. The WiZ App and Wi-Fi Room Controller from Pure Smart allow for dimming, grouping, scheduling, and the programming of preset and custom scenes. Voice control is available through integration with Amazon Alexa, Google Assistant, Siri Shortcuts, IFTTT, and SmartThings. Communicates via 2.4GHz Wi-Fi only. Accepts an input voltage in a range of 120-277V and outputs 24VDC power up to 96W. Dims down to 5%. Integrated short circuit, overload, and thermal protection. Easily accessible external pushbutton allows for power cycling which triggers pairing mode to the connected smart device. Not for use with Warm Dim LED strips or Fixtures.

APPLICATIONS

Indoor, Damp Location

POWER INPUT

120-277VAC

POWER OUTPUT

Class 2; 24 volts DC 4A, up to 96 watts

EFFICIENCY

90%

AMBIENT OPERATING TEMPERATURE

-13°F to 104°F (-25°C to 40°C)

WiZ APP

The WiZ Pro app allows control from any mobile device and work seamlessly with the PureEdge Pure Smart™ Wi-Fi wall controls. The app offers brightness control as well as scene control, dynamic light modes, circadian rhythm, and scheduling. Works with Google Assistant, Amazon Alexa, Siri Shortcuts, IFTTT, and SmartThings.

SMART WALL CONTROLLER (SOLD SEPARATELY)

Pure Smart™ Wiz Pro Wi-Fi Controller

Features an ON/OFF buttons, CCT and brightness control rockers, and preset scene selections. Wi-Fi, 2.4 GHz. maximum. Not for use with Warm Dim LED strips or Fixtures.

For Warm Dim Non-Smart Strip and Fixtures use:
Non Smart ELV Power Supply and Smart Dimmer

SECURITY

3rd party log-in and cloud security provide a safe and protected connection. WiZ does not store nor share any personal information.

DIMMING CURVE

Linear Dim Curve down to 5%

STANDARD MOUNTING

Surface mounted with knock-outs for conduit access

EXTERNAL PUSH BUTTON

Easily accessible external push button allows for power cycling which triggers pairing mode to the connected smart device.

COMPLIANCE

Made in the USA, RoHS, ETL, CE, DW1 meets Title 24 compliance

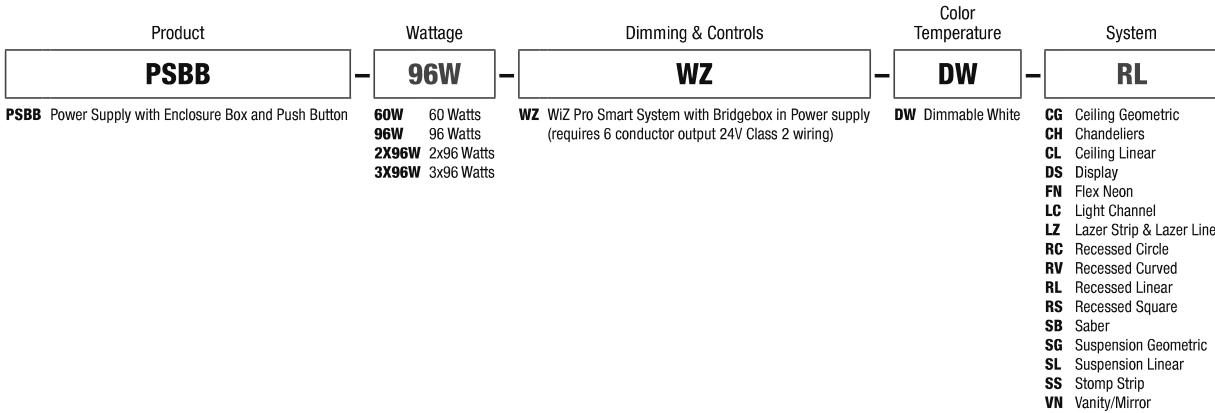
To determine the necessary wire gauge use our [Voltage Drop Calculator](#).

SPECIFICATIONS				
MAXIMUM LOAD	60W	96W	2X96W	3X96W
INPUT VOLTAGE	120-277VAC	120-277VAC	120-277VAC	120-277VAC
OUTPUT VOLTAGE	24VDC	24VDC	24VDC	24VDC
BRIDGEBOX DIMENSIONS	5.1" X 3.15" X 3.15"	5.1" X 3.15" X 3.15"	5.1" X 3.15" X 3.15"	5.1" X 3.15" X 3.15"
PSBR DIMENSIONS	12.4" X 3.12" X 2.18"	12.4" X 3.12" X 2.18"	14" X 10" X 3"	17" X 13" X 3"
CLASS 2	•	•	•	•
T-BAR MOUNTING	•	•	•	•
T-BAR CHICAGO PLENUM	•	•	•	•

PROJECT		FIXTURE TYPE		DATE	
---------	--	--------------	--	------	--

PURE SMART™ PSBB POWER SUPPLY, STATIC WHITE

24VDC, SINGLE CHANNEL, WITH WI-FI BRIDGEBOX, DW



SYSTEM REFERENCE

SYSTEM	CATEGORY	PRODUCT FAMILIES	SYSTEM	CATEGORY	PRODUCT FAMILIES				
CG	Ceiling Geometric	Cirrus MIYO	RL	Recessed Linear	Reveal				
		FreeForm			Truline				
		Geo Form			TruLine Trim				
		Nova MIYO			Veil				
CH	Chandeliers	Pipeline Vertex	RS	Recessed Square	TruQuad				
		Pix Stix Cirrus			SB	Saber	Saber		
		Pix Stix Tie Stix					SG	Suspension Geometric	Cirrus MIYO
		Pix Stix Zipp							Nova MIYO
		Pix Stix Zipp Wave							Nova Up/Down MIYO
CL	Ceiling Linear	Cirrus Ceiling	SL	Suspension Linear	Pipeline MIYO				
		Glide Ceiling			Zipp MIYO				
		Nova Ceiling			Cirrus Suspension				
		Pipeline Ceiling			Glide Suspension				
		Zipp Ceiling			Nova Suspension				
DS	Display	Pipeline	SS	Soft Strip/LED Strip	Static Stomp Strip				
FN	Flex Neon	Flex Neon			VN	Vanity	Audrey		
LC	Light Channel	Light Channel.3					Mirror		
		Light Channel Micro Grazer					Pipeline		
		Light Channel Recessed Millwork	Tie Stix						
		Light Channel Surface Mount	Twiggy						
LZ	Lazer Line	Lazer Line							
RC	Recessed Circle	TruCirque							
RV	Recessed Curve	TruArch							
		TruCurve							

PROJECT		FIXTURE TYPE		DATE	
---------	--	--------------	--	------	--

FLEX NEON TIE STRAP

Use for mounting to poles for extra support, every 6"-12" (30 per package).



Product	Type
SS	ST
SS LED Flex Neon	ST Tie Strap

DIRECT BURIAL LOCATION CABLE ORDER PER FOOT

Our Direct Burial, 2 Conductor Plus ground, 12 Gauge Cable is a durable and adaptable cable suitable for transmitting power, control, and switching in outdoor wet and in ground environments. Keep within 60 ft between fixture and power supply. Cable sold by the foot, simply specify the length needed by the foot.



Product	Gauge	Cable
DB	12G	2C
DB Direct Burial	12G 12 Gauge	2C 2 Conductor

WET AND DAMP LOCATION CABLE ORDER PER FOOT

Our Wet Location, 5 Conductor, 14 Gauge Cable is a durable and adaptable cable suitable for transmitting power, control, and switching in indoor and outdoor wet and damp environments. Cable sold by the foot, simply specify the length needed by the foot. Keep within 50 ft between fixture and power supply. Cable sold by the foot, simply specify the length needed by the foot.

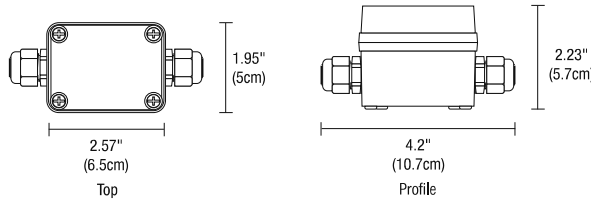


Product	Gauge	Cable
OC	14G	5C
OC Outdoor Cable	14G 14 Gauge	5C 5 Conductor

PROJECT		FIXTURE TYPE		DATE	
---------	--	--------------	--	------	--

WET LOCATION JUNCTION BOX

Wet-rated low voltage Splice Box with connectors.



Product	Type	Option
2RE	JBOX	W
2RE 2" Rectangle	JBOX Junction Box	W Wet Location

RGB OR RGBW WET LOCATION JUNCTION BOX WITH 6" POWER CABLE

This watertight, multi-fixture Junction Box is especially designed for lighting in wet and damp locations. It is versatile, rugged and simple to install. The Junction Box comes standard with a 6" Flexible Cable providing easy, safe, and reliable connections for 24V low voltage luminaires. This box is approved for indoor and outdoor usage and complies with all the requirements of UL1241 and the National Electric Code.



Product	Canopy	Product	Size	Type	Option
SS	2RE	JBOX	6IN	RGBW	W
SS LED Soft Strip Flex Neon	2RE 2" Rectangle	JBOX Junction Box	6IN 6" Four Wire Connection	RGB RGBW	W Wet Location

RGB OR RGBW POWER CABLE CONNECTOR WET LOCATION

The flexible power cable connector is designed to work in outdoor environments for safe and reliable connections. This Flexible Connector is easy to install and configure, helping you create innovative lighting designs in an outdoor commercial or residential space.



Product	Type	Size	Type	Option
SS	CFX	12IN	RGBW	W
SS Soft Strip and Flex Neon	CFX Flexible 4 Wire Connector	12IN 12" 96IN 96"	RGBW Red, Green, Blue and White	W Wet Location

WET LOCATION T-CONNECTOR

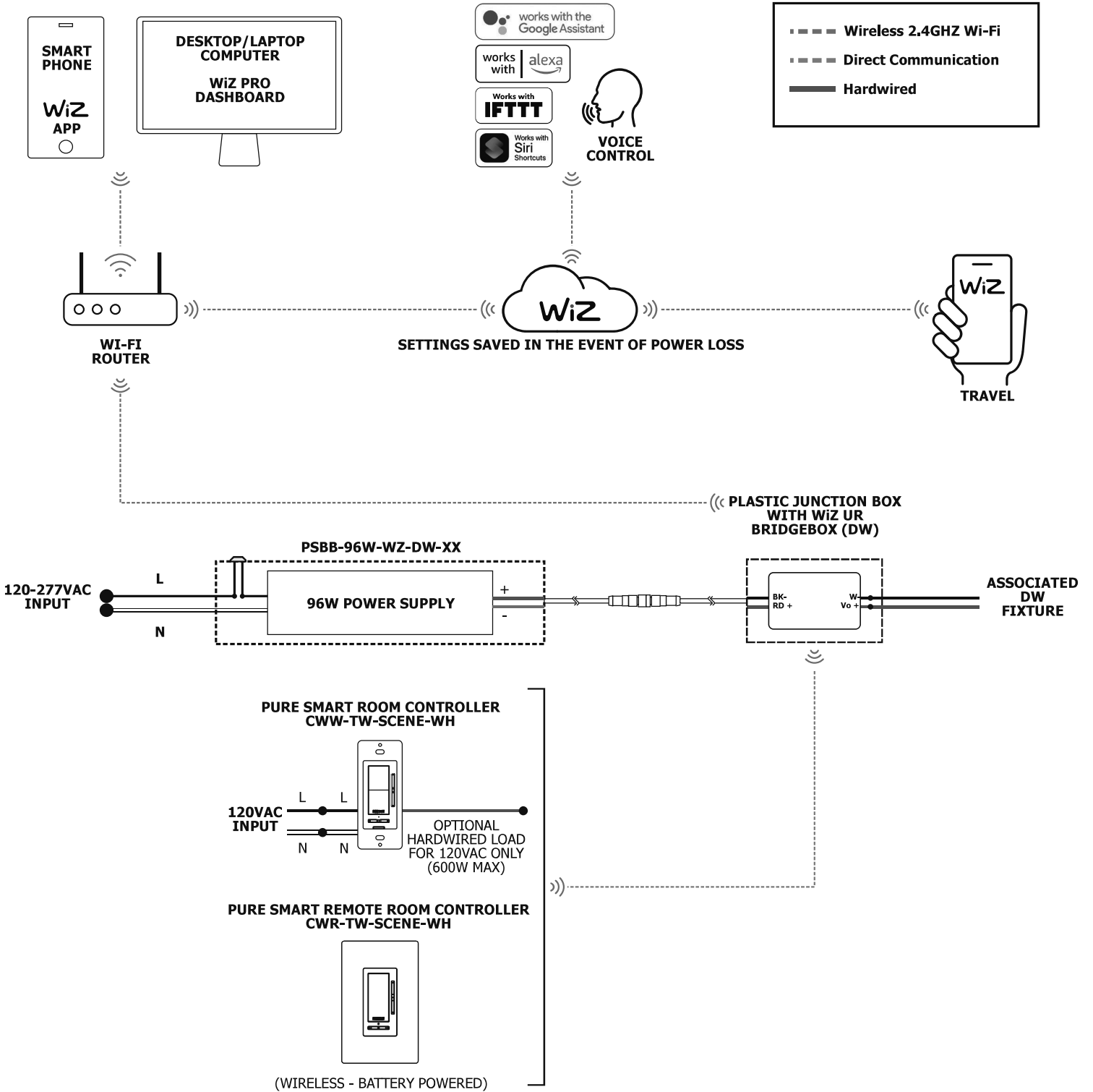
Our Wet Location T-Connector is a robust rugged design especially suited to withstand the challenges of damp and wet environments. This unique T-Connector has one Male and two Female Connectors and is suitable for multiple indoor and outdoor uses. Versatile design is easy to use, making installation quick and efficient.



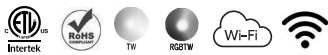
Product	Type	Option
SS	TC	W
SS Soft Strip and Flex Neon	TC T-Connector 4 Wire	W Wet Location

PROJECT	FIXTURE TYPE	DATE
---------	--------------	------

NETWORK TOPOLOGY & WIRING DIAGRAMS



PROJECT		FIXTURE TYPE		DATE	
---------	--	--------------	--	------	--



PURE SMART™ Wi-Fi 120V ROOM CONTROLLER

CONNECTED BY WIZ PRO



REV 05.06.24



DESCRIPTION:

The Pure Smart™ Wi-Fi Room Controller works with any WiZ Connected Smart fixtures/lamps. The Room Controller grants independent adjustment of both color temperature and intensity, as well as scene selection for Single Channel/Static, Tunable White, and TruColor™ RGBTW Fixtures. Four preset scenes can be associated with the room controller via the WiZ App. Custom scenes can be created using multiple layers of light, colors, and can include Pure Smart Wi-Fi Dimmer and Switch as well. No Hub required. Room Controller communicates with fixtures directly on the Local Area Network allowing for control even if the Wi-Fi goes down. Compatible with WiZ Connected fixtures only. For custom quotes and layout assistance, send your drawings and ideas to our design team: design@PureEdgeLighting.com.

OPERATION

Features ON/OFF buttons, CCT and brightness control rockers, and 4 preset/custom scene selections. Maximum output of 600W for hardwired WiZ Connected devices. No load restriction when load wire is not used and devices are connected wirelessly to Room Controller. Communicates with 2.4GHz Wi-Fi only. No Hub Required.

SECURITY

3rd party log-in and cloud security provide a safe and protected connection. WiZ does not store nor share any personal information.

EASY INSTALLATION

The Pure Smart™ Wi-Fi Room Controller installs just like a traditional dimmer. 120V power is all that is needed. Switch leg is optional for CWW-TW-SCENE-WH. This is also offered in a completely wireless version (See Pure Smart Remote Room Controller CWR-TW-SCENE-WH). Compatible with standard gangable boxes. Requires neutral wire. No Hub Required. Single Pole or 3-way compatible. 3-way can be achieved by assigning two room controllers (CWW-TW-SCENE or CWR-TW-SCENE-WH) to the same target/room/fixture. 3-way can also be achieved with a room controller in combination with the Pure Smart Dimmer (SWW-DIM-WH), or the Pure Smart Switch (SWW-SWT-WH) by assigning the dimmer or switch as a target to the room controller.

WIZ APP

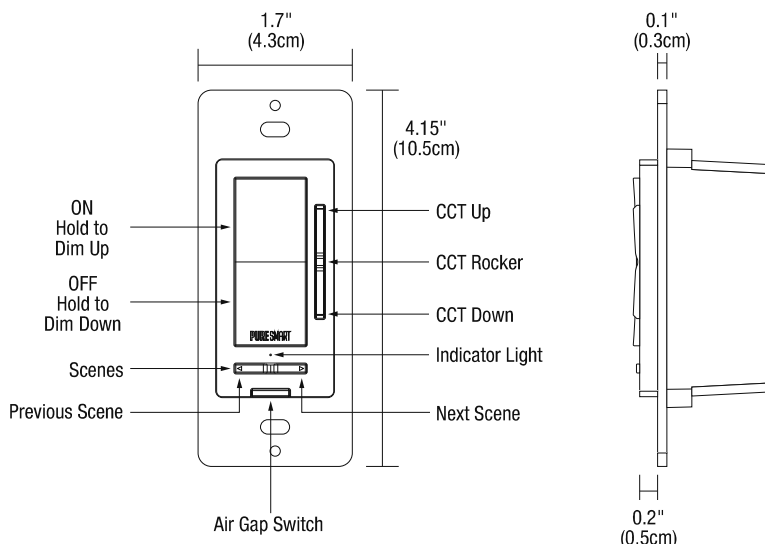
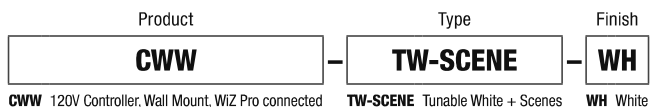
The Room Controller is added as an accessory in the WiZ app (Available on iOS or Android) and communicates directly to the WiZ enabled light fixture via direct wi-fi signal on Local Area Network (LAN). Voice control enabled when used in conjunction with Google Assistant, Siri, Alexa, IFTTT, and SmartThings. Grouping, zoning, scheduling, and custom scenes can all be programmed with the WiZ app or WiZ Pro Dashboard.

BODY

Durable polycarbonate body, compatible with decorator style wall plate (not included).

SPECIFICATIONS

Approved Location	Dry / Indoor
Input Voltage	120Vac - 60 Hz
Certification	cULus, FCC
Compatible Load(s)	WiZ Connected products only
Maximum Power	600W (Hardwired Loads), No Maximum for Wireless Loads
Output Current	5A
Power Consumption	Relay OFF: 0.07W Soft OFF: 0.79W ON: 0.79W
Dimming	Dims to 3%
Operating Temperature	23°F~113°F (-5°C~45°C)
Wireless Frequency	2.4GHz
Wireless Standard	IEEE 802.11
Warranty	3 Year



PROJECT	FIXTURE TYPE	DATE
---------	--------------	------



PURE SMART™ Wi-Fi REMOTE ROOM CONTROLLER

CONNECTED BY WIZ PRO FOR TABLE TOP OR WALL



REV 05.06.24



DESCRIPTION:

The Pure Smart™ Wi-Fi Remote Room Controller works with any WiZ Connected Smart fixtures/lamps. The Remote Room Controller is powered by four AAA batteries (not included) and grants independent adjustment of color temperature and intensity, as well as scene selection for four favorite scenes which are selected and assigned to the room controller in the WiZ App. The four favorited scenes, as with any scene in the WiZ ecosystem, can consist of any combination of products including bulbs, luminaires, or smart controls and can support any combination of color ranges including static white or dimmable white, Tunable White, and Tricolor RGBTW allowing for intricate customization and control. No Hub required. Room Controller communicates with fixtures directly on the Local Area Network allowing for control even if the Wi-Fi goes down. Compatible with WiZ Connected fixtures only. For custom quotes and layout assistance, send your drawings and ideas to our design team: design@PureEdgeLighting.com.

OPERATION

Dimming, CCT control rocker, and a scene control toggle. No load maximum. Communicates with 2.4GHz Wi-Fi only. No Hub Required.

EASY INSTALLATION

The Pure Smart™ Wi-Fi Remote Room Controller is powered by 4 AAA batteries (not included) and is therefore completely wireless. Multiple mounting methods available including to a standard switch box, on the wall with the included drywall anchors or adhesive strip, or kept on a tabletop with the rubber pads that help to keep it stationary. Single Pole or 3-way compatible with Pure Smart Dimmer (SWW-DIM-WH), Pure Smart Switch (SWW-SWT-WH), 120V Room Controller (CWW-TW-SCENE-WH) and another Remote Room Controller. No wires. No hub. Total control.

WIZ APP

The Room Controller is added as an accessory in the WiZ app (Available on iOS or Android) and communicates directly to the WiZ enabled light fixture via direct wi-fi signal on Local Area Network (LAN). Voice control enabled when used in conjunction with Google Assistant, Siri, Alexa, IFTTT, and SmartThings. Grouping, zoning, scheduling, and custom scenes can all be programmed with the WiZ app or WiZ Pro Dashboard.

BODY

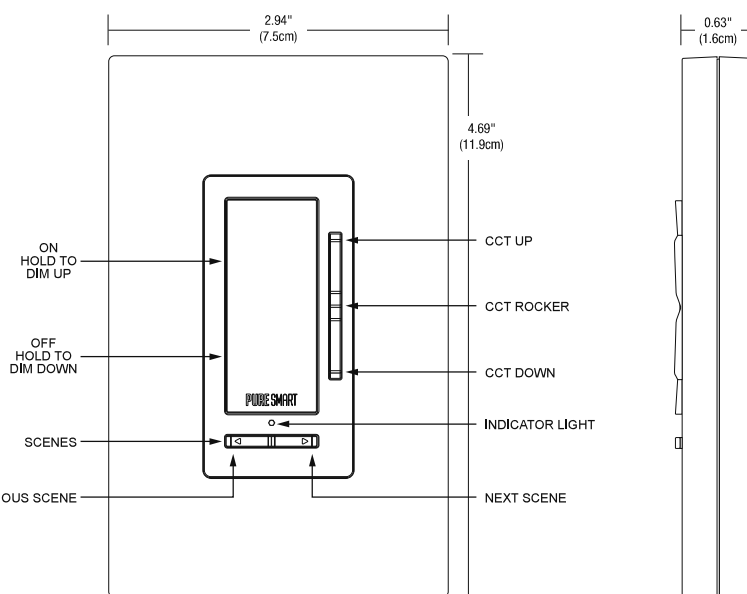
Durable polycarbonate body.

SECURITY

3rd party log-in and cloud security provide a safe and protected connection. WiZ does not store nor share any personal information.

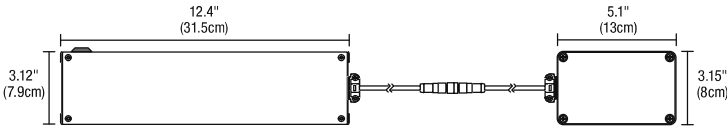
SPECIFICATIONS

Approved Location	Dry / Indoor
Input Voltage	4 AAA batteries (not included)
Certification	cULus, FCC
Compatible Load(s)	WiZ Connected products only
Maximum Power	No Load Maximum
Output Current	5A
Power Consumption	Relay OFF: 0.07W Soft OFF: 0.79W ON: 0.79W
Dimming	Dims to 3%
Operating Temperature	23°F~113°F (-5°C~45°C)
Wireless Frequency	2.4GHz
Wireless Standard	IEEE 802.11
Warranty	3 Year

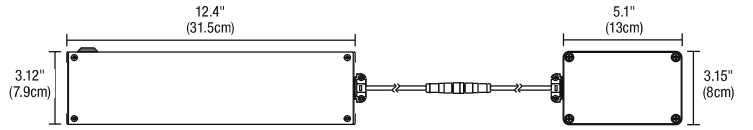


PROJECT	FIXTURE TYPE	DATE
---------	--------------	------

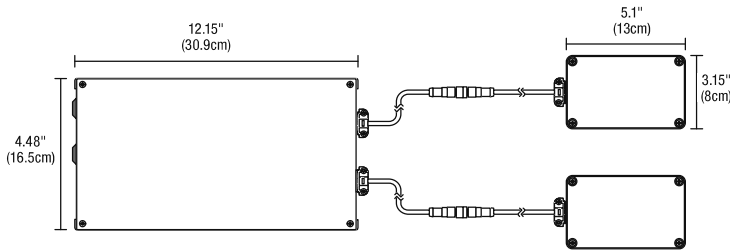
60W



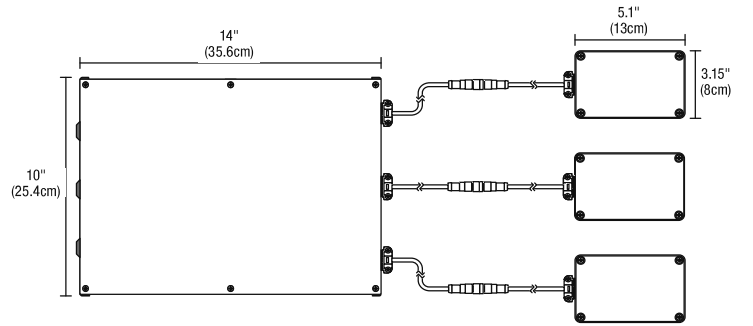
96W



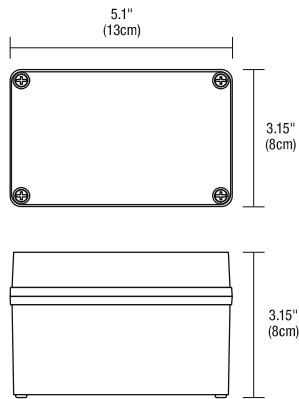
2X96W



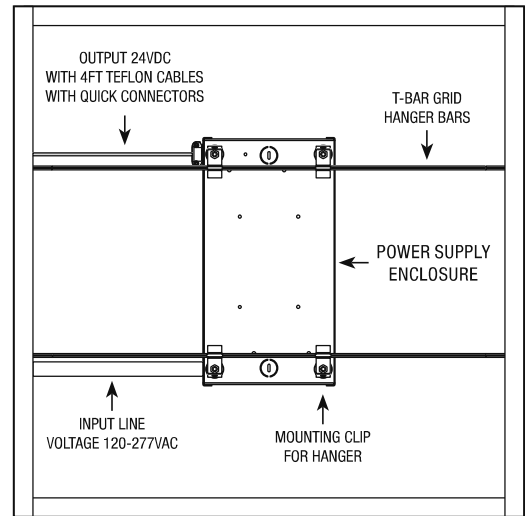
3X96W



BRIDGEBOX DETAIL



T-BAR GRID CEILING



PROJECT		FIXTURE TYPE		DATE	
---------	--	--------------	--	------	--



DESCRIPTION

The Pure Smart™ Wi-Fi PSBB **TW** Power Supply contains a Wi-Fi enabled WIZ Pro Type UR Bridgebox which allows for integration into the WIZ Pro Wireless control ecosystem. No hub required and provides 2 channel control of the Tunable White **TW** light engines (2K6K and 27K6). The WIZ App and Wi-Fi Room Controller from Pure Smart allow for dimming, CCT selection, grouping, scheduling, and the programming of preset and custom scenes. Voice control is available through integration with Amazon Alexa, Google Assistant, Siri Shortcuts, IFTTT, and SmartThings. Communicates via 2.4GHz Wi-Fi only. Accepts an input voltage in a range of 120-277V and outputs 24VDC power up to 96W. Dims down to 5%. Integrated short circuit, overload, and thermal protection. Easily accessible external pushbutton allows for power.

APPLICATIONS

Indoor, Damp Location

POWER INPUT

120-277VAC

POWER OUTPUT

Class 2; 24 volts DC 4A, up to 96 watts maximum

EFFICIENCY

90%

AMBIENT OPERATING TEMPERATURE

-25° C to 40° C

DIMMING CURVE

Linear Dim Curve down to 5%

WIZ APP

The WIZ app allows control from any mobile device. The app offers CCT and brightness control as well as scene control, dynamic light modes, circadian rhythm, and scheduling. Works with Google Assistant, Amazon Alexa, Siri Shortcuts, IFTTT, and SmartThings. The app and power supplies are tuned to specific PureEdge Tunable White curves, and ranges.

SMART WALL CONTROLLER (SOLD SEPARATELY)

- [Pure Smart™ WIZ Pro Wi-Fi Controller](#)
Features an ON/OFF buttons, CCT and brightness control rockers, and preset scene selections. Wi-Fi, 2.4 GHz. maximum
- [Pure Smart™ Battery Remote Wi-Fi Controller](#)

EXTERNAL PUSH BUTTON

Easily accessible external push button allows for power cycling which triggers pairing mode to the connected smart device.

SECURITY

3rd party log-in and cloud security provide a safe and protected connection, WIZ does not store nor share any personal information.

STANDARD MOUNTING

Surface mounted with knock-outs for conduit access

T-BAR MOUNTING KIT

Includes power supply, box cover, and T-bar hangers for installing Junction Box above ceiling with in easy reach. Comes with 4' of 14 gauge pair Teflon cables with quick secure connectors.

COMPLIANCE

Made in the USA, ETL, RoHS, CE

To determine the necessary wire gauge use our [Voltage Drop Calculator](#).

	SPECIFICATIONS			
	60W	96W	2X96W	3X96W
MAXIMUM LOAD	60W	96W	2X96W	3X96W
INPUT VOLTAGE	120-277VAC	120-277VAC	120-277VAC	120-277VAC
OUTPUT VOLTAGE	24VDC	24VDC	24VDC	24VDC
BRIDGEBOX DIMENSIONS	5.1" X 3.15" X 3.15"	5.1" X 3.15" X 3.15"	5.1" X 3.15" X 3.15"	5.1" X 3.15" X 3.15"
PSBR DIMENSIONS	12.4" X 3.12" X 2.18"	12.4" X 3.12" X 2.18"	14" X 10" X 3"	17" X 13" X 3"
CLASS 2	•	•	•	•
T-BAR MOUNTING	•	•	•	•
T-BAR CHICAGO PLENUM	•	•	•	•

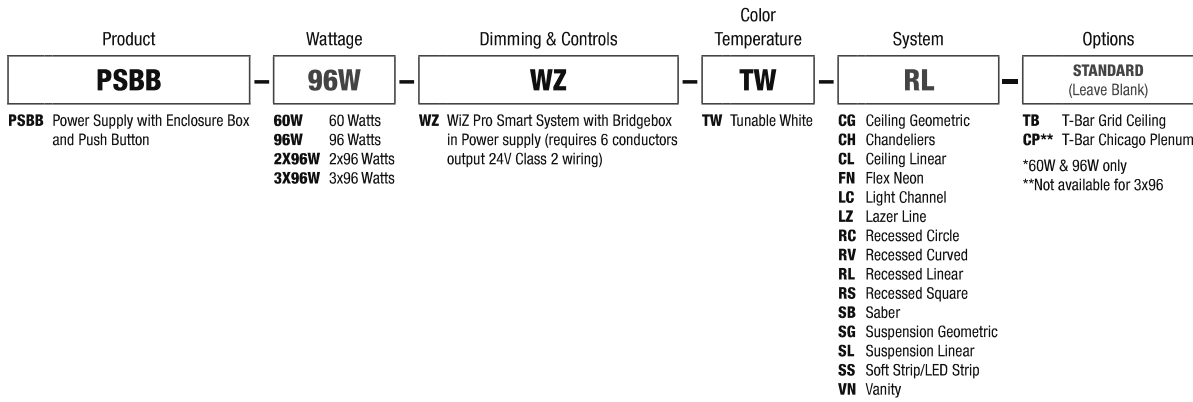
PROJECT		FIXTURE TYPE		DATE	
---------	--	--------------	--	------	--



PURE SMART™ Wi-Fi POWER SUPPLY, TUNABLE WHITE
24VDC, 2 CHANNEL, CONNECTED BY WIZ PRO



REV 04.16.24



SYSTEM REFERENCE

SYSTEM	CATEGORY	PRODUCT FAMILIES	SYSTEM	CATEGORY	PRODUCT FAMILIES		
CG	Ceiling Geometric	Cirrus MIYO	RS	Recessed Square	TruQuad		
		Geo Form			SB	Saber	Saber/Mini Saber
CH	Chandeliers	Pix Stix Cirrus	SG	Suspension Geometric	Cirrus MIYO		
		Pix Stix Tie Stix			Nova MIYO		
		Pix Stix Zipp			Pipeline MIYO		
		Pix Stix Zipp Wave			Zipp MIYO		
CL	Ceiling Linear	Cirrus Ceiling	SL	Suspension Linear	Cirrus Suspension		
		Glide Ceiling			Glide Suspension		
		Nova Ceiling			Nimbus Suspension		
		Zipp Ceiling			Nova Suspension		
FN	Flex Neon	Flex Neon	SS	Soft Strip/LED Strip	LED Strip TW		
LC	Light Channel	Light Channel Micro Grazer			VN	Vanity	Audrey
		Light Channel Recessed Millwork					Mirrors
		Light Channel Surface Mount					Tie Stix
LZ	Lazer Line	Lazer Line					Twiggy
RC	Recessed Circle	TruCirque					
RV	Recessed Curve	TruArch					
		TruCurve					
RL	Recessed Linear	Reveal					
		Truline					
		Truline Trim					
		Veil					
		Verge					

PROJECT		FIXTURE TYPE		DATE	
---------	--	--------------	--	------	--

FLEX NEON TIE STRAP

Use for mounting to poles for extra support, every 6"-12" (30 per package).



Product	Type
SS	ST
SS LED Flex Neon	ST Tie Strap

DIRECT BURIAL LOCATION CABLE ORDER PER FOOT

Our Direct Burial, 2 Conductor Plus ground, 12 Gauge Cable is a durable and adaptable cable suitable for transmitting power, control, and switching in outdoor wet and in ground environments. Keep within 60 ft between fixture and power supply. Cable sold by the foot, simply specify the length needed by the foot.



Product	Gauge	Cable
DB	12G	2C
DB Direct Burial	12G 12 Gauge	2C 2 Conductor

WET AND DAMP LOCATION CABLE ORDER PER FOOT

Our Wet Location, 5 Conductor, 14 Gauge Cable is a durable and adaptable cable suitable for transmitting power, control, and switching in indoor and outdoor wet and damp environments. Cable sold by the foot, simply specify the length needed by the foot. Keep within 50 ft between fixture and power supply. Cable sold by the foot, simply specify the length needed by the foot.

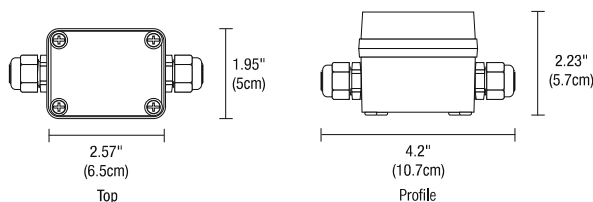


Product	Gauge	Cable
OC	14G	5C
OC Outdoor Cable	14G 14 Gauge	5C 5 Conductor

PROJECT		FIXTURE TYPE		DATE	
---------	--	--------------	--	------	--

WET LOCATION JUNCTION BOX

Wet-rated low voltage Splice Box with connectors.



Product	Type	Option
2RE	JBOX	W
2RE 2" Rectangle	JBOX Junction Box	W Wet Location

RGB OR RGBW WET LOCATION JUNCTION BOX WITH 6" POWER CABLE

This watertight, multi-fixture Junction Box is especially designed for lighting in wet and damp locations. It is versatile, rugged and simple to install. The Junction Box comes standard with a 6" Flexible Cable providing easy, safe, and reliable connections for 24V low voltage luminaires. This box is approved for indoor and outdoor usage and complies with all the requirements of UL1241 and the National Electric Code.



Product	Canopy	Product	Size	Type	Option
SS	2RE	JBOX	6IN	RGBW	W
SS LED Soft Strip Flex Neon	2RE 2" Rectangle	JBOX Junction Box	6IN 6" Four Wire Connection	RGB RGB RGBW RGBW	W Wet Location

RGB OR RGBW POWER CABLE CONNECTOR WET LOCATION

The flexible power cable connector is designed to work in outdoor environments for safe and reliable connections. This Flexible Connector is easy to install and configure, helping you create innovative lighting designs in an outdoor commercial or residential space.



Product	Type	Size	Type	Option
SS	CFX	12IN	RGBW	W
SS Soft Strip and Flex Neon	CFX Flexible 4 Wire Connector	12IN 12" 96IN 96"	RGBW Red, Green, Blue and White	W Wet Location

WET LOCATION T-CONNECTOR

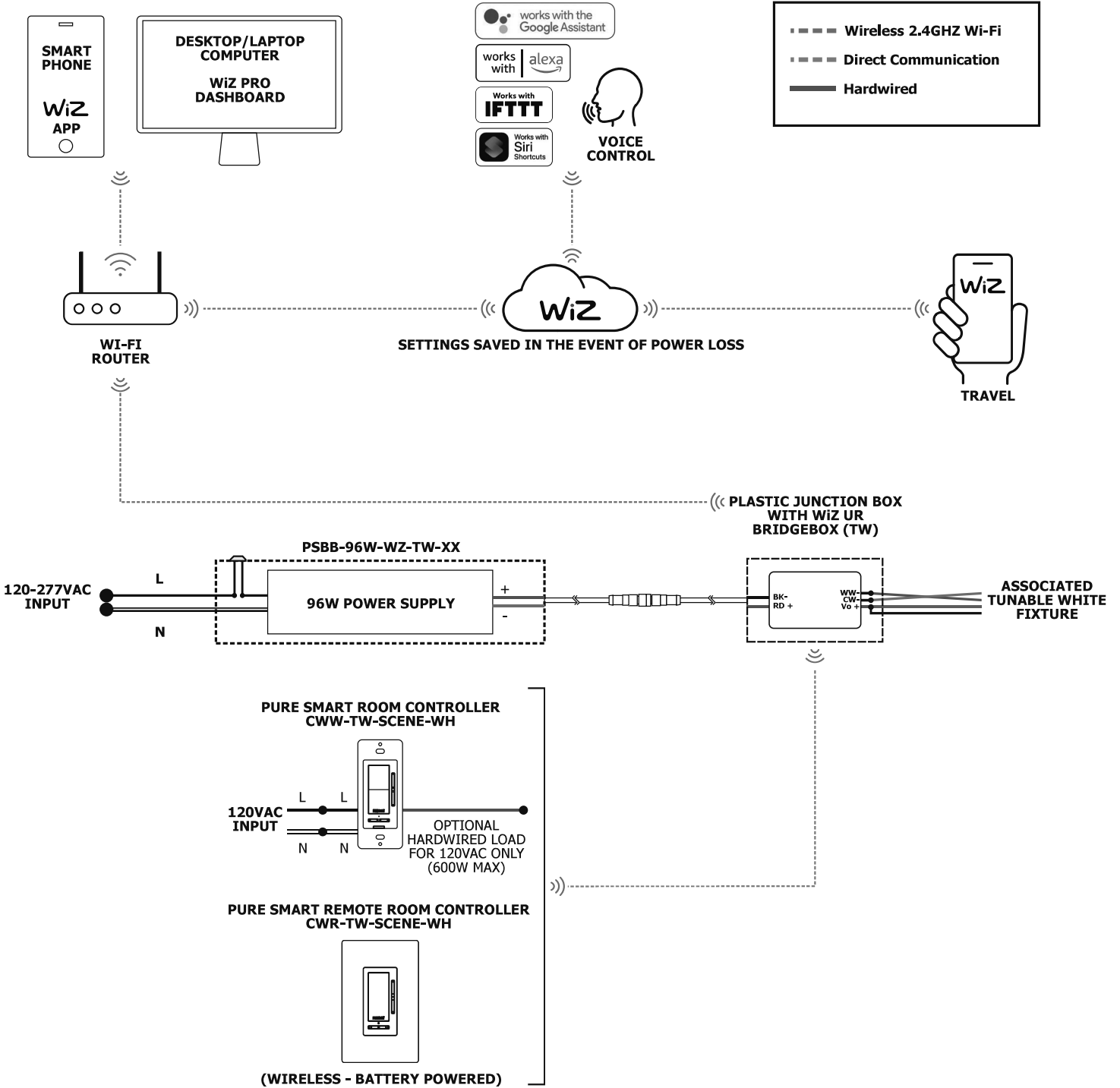
Our Wet Location T-Connector is a robust rugged design especially suited to withstand the challenges of damp and wet environments. This unique T-Connector has one Male and two Female Connectors and is suitable for multiple indoor and outdoor uses. Versatile design is easy to use, making installation quick and efficient.



Product	Type	Option
SS	TC	W
SS Soft Strip and Flex Neon	TC T-Connector 4 Wire	W Wet Location

PROJECT		FIXTURE TYPE		DATE	
---------	--	--------------	--	------	--

NETWORK TOPOLOGY & WIRING DIAGRAMS



PROJECT		FIXTURE TYPE		DATE	
---------	--	--------------	--	------	--



DESCRIPTION:

The Pure Smart™ Wi-Fi Room Controller works with any WiZ Connected Smart fixtures/lamps. The Room Controller grants independent adjustment of both color temperature and intensity, as well as scene selection for Single Channel/Static, Tunable White, and TruColor™ RGBTW Fixtures. Four preset scenes can be associated with the room controller via the WiZ App. Custom scenes can be created using multiple layers of light, colors, and can include Pure Smart Wi-Fi Dimmer and Switch as well. No Hub required. Communicates to the WiZ app and WiZ Pro Dashboard through connection to 2.4GHz Wi-Fi and the cloud. Room Controller communicates with fixtures directly on the Local Area Network allowing for control even if the Wi-Fi goes down. Compatible with WiZ Connected fixtures only. For custom quotes and layout assistance, send your drawings and ideas to our design team: design@PureEdgeLighting.com.

OPERATION

Features ON/OFF buttons, CCT and brightness control rockers, and 4 preset/custom scene selections. Maximum output of 600W for hardwired WiZ Connected devices. No load restriction when load wire is not used and devices are connected wirelessly to Room Controller. Communicates with 2.4GHz Wi-Fi only. No Hub Required.

EASY INSTALLATION

The Pure Smart™ Wi-Fi Room Controller installs just like a traditional dimmer. Compatible with standard gangable boxes. Requires neutral wire. No Hub Required.

WIZ APP

The Room Controller is added as an accessory in the WiZ app (Available on iOS or Android) and communicates directly to the WiZ enabled light fixture via direct wi-fi signal on Local Area Network (LAN). Voice control enabled when used in conjunction with Google Assistant, Siri, Alexa, IFTTT, and SmartThings. Grouping, zoning, scheduling, and custom scenes can all be programmed with the WiZ app or WiZ Pro Dashboard.

BODY

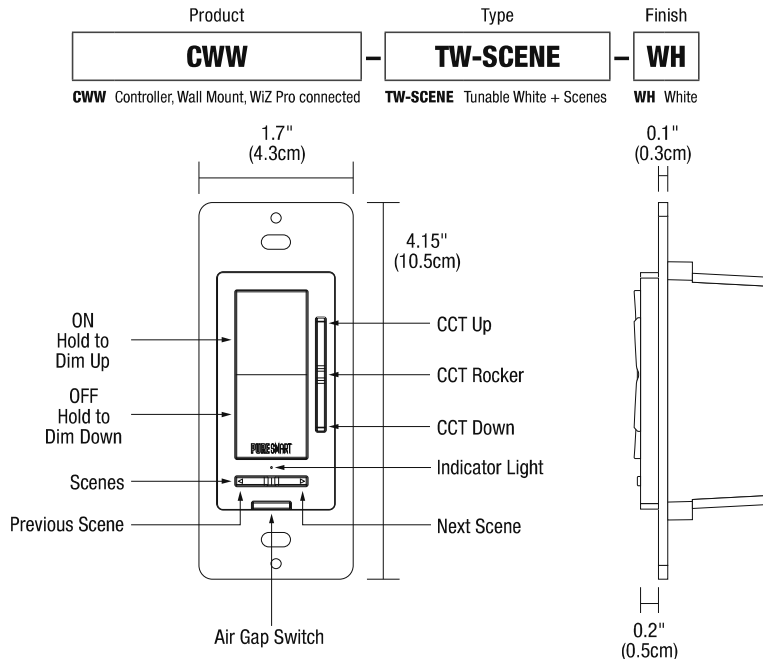
Durable polycarbonate body, compatible with decorator style wall plate (not included).

SECURITY

3rd party log-in and cloud security provide a safe and protected connection. WiZ does not store nor share any personal information.

SPECIFICATIONS

Approved Location	Dry / Indoor
Input Voltage	120Vac - 60 Hz
Certification	cULus, FCC
Compatible Load(s)	WiZ Connected products only
Maximum Power	600W (Hardwired Loads), No Maximum for Wireless Loads
Output Current	5A
Power Consumption	Relay OFF: 0.07W Soft OFF: 0.79W ON: 0.79W
Dimming	Dims to 3%
Operating Temperature	23°F~113°F (-5°C~45°C)
Wireless Frequency	2.4GHz
Wireless Standard	IEEE 802.11
Warranty	3 Year



PROJECT	FIXTURE TYPE	DATE
---------	--------------	------



DESCRIPTION:

The Pure Smart™ Wi-Fi Remote Room Controller works with any WiZ Connected Smart fixtures/lamps. The Remote Room Controller is powered by four AAA batteries and grants independent adjustment of color temperature and intensity, as well as scene selection for four favorite scenes which are selected and assigned to the room controller in the WIZ App. The four favorited scenes, as with any scene in the WiZ ecosystem, can consist of any combination of products including bulbs, luminaires, or smart controls and can support any combination of color ranges including static white or dimmable white, Tunable White, and Tricolor RGBTW allowing for intricate customization and control. No Hub required. Room Controller communicates with fixtures directly on the Local Area Network allowing for control even if the Wi-Fi goes down. Compatible with WiZ Connected fixtures only. For custom quotes and layout assistance, send your drawings and ideas to our design team: design@PureEdgeLighting.com.

OPERATION

Dimming, CCT control rocker, and a scene control toggle. No load maximum. Communicates with 2.4GHz Wi-Fi only. No Hub Required.

EASY INSTALLATION

The Pure Smart™ Wi-Fi Remote Room Controller is powered by 4 AAA batteries and is therefore completely wireless. Multiple mounting methods available including to a standard switch box, on the wall with the included drywall anchors or adhesive strip, or kept on a tabletop with the rubber pads that help to keep it stationary. Single Pole or 3-way compatible with Pure Smart Dimmer (SWW-DIM-WH), Pure Smart Switch (SWW-SWT-WH), 120V Room Controller (CWW-TW-SCENE-WH) and another Remote Room Controller. No wires. No hub. Total control.

WIZ APP

The Room Controller is added as an accessory in the WIZ app (Available on iOS or Android) and communicates directly to the WiZ enabled light fixture via direct wi-fi signal on Local Area Network (LAN). Voice control enabled when used in conjunction with Google Assistant, Siri, Alexa, IFTTT, and SmartThings. Grouping, zoning, scheduling, and custom scenes can all be programmed with the WIZ app or WIZ Pro Dashboard.

BODY

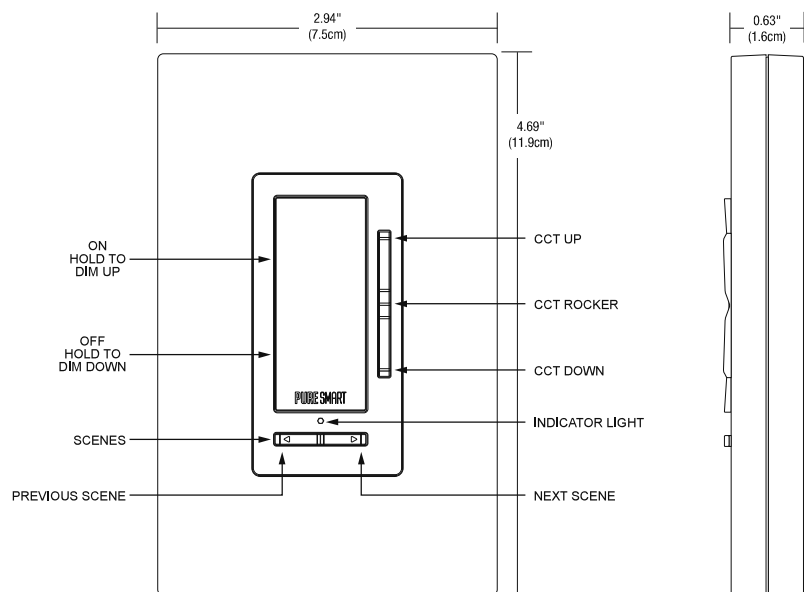
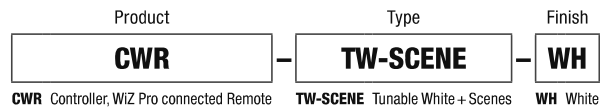
Durable polycarbonate body.

SECURITY

3rd party log-in and cloud security provide a safe and protected connection. WiZ does not store nor share any personal information.

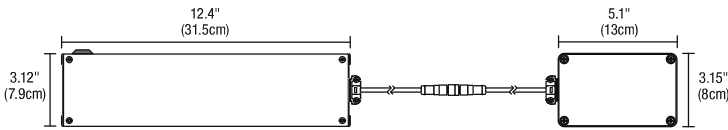
SPECIFICATIONS

Approved Location	Dry / Indoor
Input Voltage	4 AAA batteries
Certification	cULus, FCC
Compatible Load(s)	WiZ Connected products only
Maximum Power	No Load Maximum
Output Current	5A
Power Consumption	Relay OFF: 0.07W Soft OFF: 0.79W ON: 0.79W
Dimming	Dims to 3%
Operating Temperature	23°F~113°F (-5°C~45°C)
Wireless Frequency	2.4GHz
Wireless Standard	IEEE 802.11
Warranty	3 Year

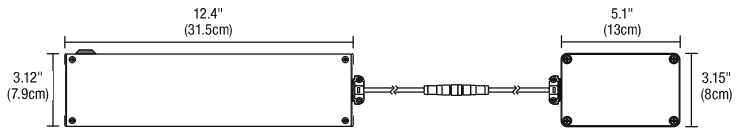


PROJECT	FIXTURE TYPE	DATE
---------	--------------	------

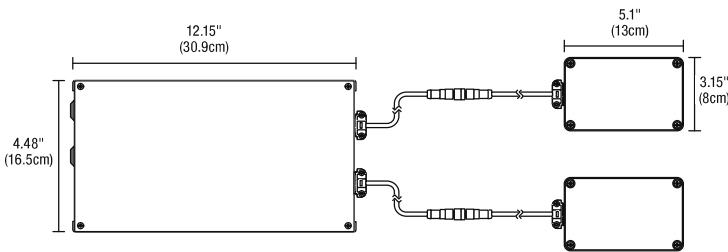
60W



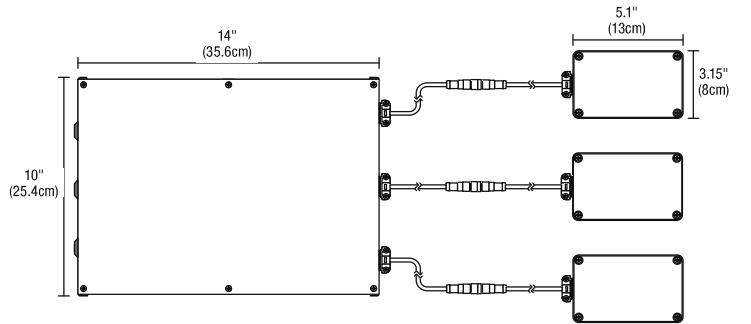
96W



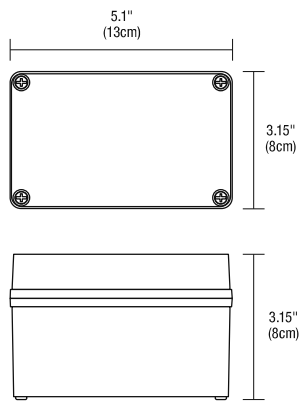
2X96W



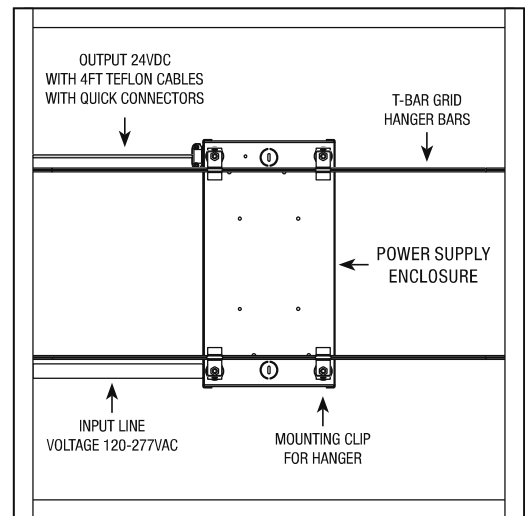
3X96W



BRIDGEBOX DETAIL



T-BAR GRID CEILING



PROJECT		FIXTURE TYPE		DATE	
---------	--	--------------	--	------	--



DESCRIPTION

The Pure Smart Wi-Fi PSBB **RGBTW** Power Supply contains a Wi-Fi enabled WIZ Pro Type UR Bridgebox which allows for integration into the WIZ Pro Wireless control ecosystem. No hub required and provides 5 channel full color control of the **TruColor™ RGBTW** Light Engine. The WIZ App, WIZ Pro Dashboard, and Room Controllers (CWW-TW-SCENE-WH and CWR-TW-SCENE-WH) from Pure Smart allow for dimming, CCT selection, grouping, scheduling, and the programming of preset and custom scenes. Voice control is available through integration with Amazon Alexa, Google Assistant, Siri Shortcuts, IFTTT, and SmartThings. Communicates via 2.4GHz Wi-Fi only. Accepts an input voltage in a range of 120-277V and outputs 24VDC power up to 96W. Dims down to 5%. Integrated short circuit, overload, and thermal protection. Easily accessible external pushbutton allows for power cycling which triggers pairing mode to the connected smart device.

APPLICATIONS

Indoor, Damp Location. Wall mount only, not for ceiling

POWER INPUT

120-277VAC

POWER OUTPUT

Class 2; 24 volts DC 4A, up to 96 watts maximum

EFFICIENCY

90%

AMBIENT OPERATING TEMPERATURE

-25° C to 40° C.

WIZ APP

The WIZ app allows control from any mobile device. The app offers CCT and brightness control as well as scene control, dynamic light modes, circadian rhythm, and scheduling. Works with Google Assistant, Amazon Alexa, Siri Shortcuts, IFTTT, and SmartThings. The app and Power Supplies are tuned to specific **TruColor™ RGBTW** curves, and ranges.

SMART WALL CONTROLLER (SOLD SEPARATELY)

[Pure Smart™ WIZ Pro Controllers](#)

Features ON/OFF buttons, CCT and brightness control rockers, and four preset/custom scenes programmable in the WIZ app. Communicates via 2.4GHz Wi-Fi only

SECURITY

3rd party log-in and cloud security provide a safe and protected connection. WIZ does not store nor share any personal information.

DIMMING CURVE

Linear Dim Curve down to 5%

STANDARD MOUNTING

Surface mounted with knock outs for conduit access. External push button for easy commissioning of connected luminaire.

EXTERNAL PUSH BUTTON

Easily accessible external push button allows for power cycling which triggers pairing mode to the connected smart device.

COMPLIANCE

Made in the USA, ETL, RoHS, CE

To determine the necessary wire gauge use our [Voltage Drop Calculator](#).

	SPECIFICATIONS			
MAXIMUM LOAD	60W	96W	2X96W	3X96W
INPUT VOLTAGE	120-277VAC	120-277VAC	120-277VAC	120-277VAC
OUTPUT VOLTAGE	24VDC	24VDC	24VDC	24VDC
BRIDGEBOX DIMENSIONS	5.1" X 3.15" X 3.15"	5.1" X 3.15" X 3.15"	5.1" X 3.15" X 3.15"	5.1" X 3.15" X 3.15"
PSBR DIMENSIONS	12.4" X 3.12" X 2.18"	12.4" X 3.12" X 2.18"	14" X 10" X 3"	17" X 13" X 3"
CLASS 2	•	•	•	•
T-BAR MOUNTING	•	•	•	•
T-BAR CHICAGO PLENUM	•	•	•	•

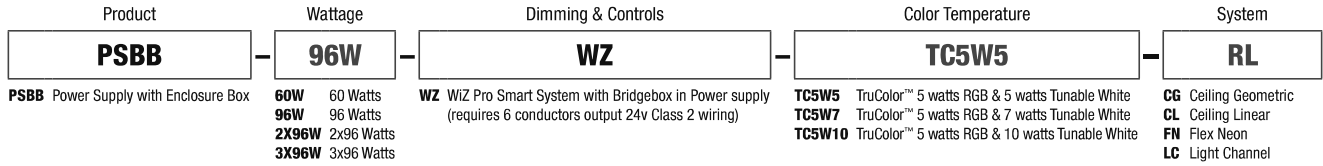
PROJECT	FIXTURE TYPE	DATE
---------	--------------	------

PURE SMART™ PSBB POWER SUPPLY, RGBTW

24VDC, 5 CHANNEL, WITH BRIDGEBOX, CONNECTED BY WIZ PRO

ASSEMBLED IN AMERICA

REV 05.10.24



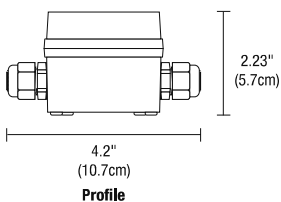
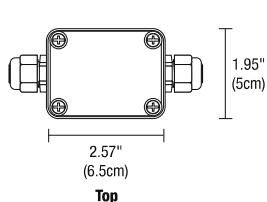
SYSTEM REFERENCE

SYSTEM	CATEGORY	PRODUCT FAMILIES	SYSTEM	CATEGORY	PRODUCT FAMILIES		
CG	Ceiling Geometric	Geo Form	RS	Recessed Square	TruQuad		
CL	Ceiling Linear	Cirrus Ceiling	SB	Saber	Saber		
		Glide Ceiling			SL	Suspension Linear	Cirrus Suspension
		Nova Ceiling					Glide Suspension
		Zipp Ceiling					Nimbus Suspension
	Nova Suspension						
FN	Flex Neon	Flex Neon			Zipp Suspension		
LC	Light Channel	Light Channel Micro Grazer	SS	Soft Strip/LED Strip	RGBTW TruColor™ Strip		
		Light Channel Recessed Millwork			VN	Vanity	Audrey
		Light Channel Surface Mount					Mirrors
RC	Recessed Circle	TruCirque			Tie Stix		
RV	Recessed Curve	TruArch			Twiggy		
		TruCurve					
RL	Recessed Linear	Reveal					
		Truline					
		Truline Trim					
		Veil					
		Verge					

PROJECT		FIXTURE TYPE		DATE	
---------	--	--------------	--	------	--

WET LOCATION JUNCTION BOX

Wet-rated low voltage Splice Box with connectors.



Product	Type	Option
2RE	JBOX	W
2RE 2" Rectangle	JBOX Junction Box	W Wet Location

WET LOCATION JUNCTION BOX WITH 6" POWER CABLE

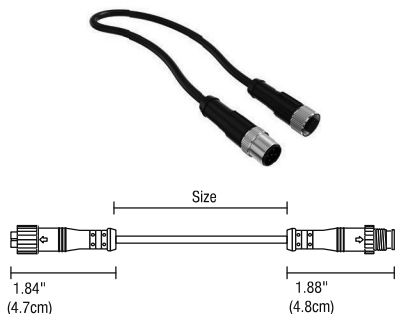
This watertight, multi-fixture Junction Box is especially designed for lighting in wet and damp locations. It is versatile, rugged and simple to install. The Junction Box comes standard with a 6" Flexible Cable providing easy, safe, and reliable connections for 24V low voltage luminaires. This box is approved for indoor and outdoor usage and complies with all the requirements of UL1241 and the National Electric Code.



Product	Canopy	Product	Size	Option
SS	2RE	JBOX	6IN	W
SS LED Soft Strip Flex Neon	2RE 2" Rectangle	JBOX Junction Box	6IN 6" Four Wire Connection	W Wet Location

POWER CABLE CONNECTOR WET LOCATION

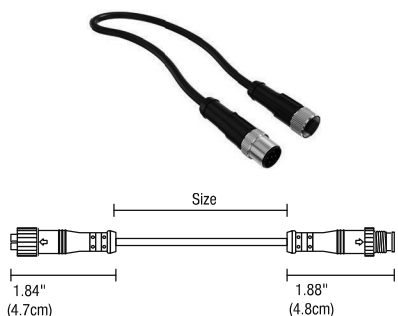
The flexible power cable connector is designed to work in outdoor environments for safe and reliable connections. This Flexible Connector is easy to install and configure, helping you create innovative lighting designs in an outdoor commercial or residential space.



Product	Type	Size	Option
SS	CFX	12IN	W
SS Soft Strip and Flex Neon	CFX Flexible 4 Wire Connector	12IN 12" 96IN 96"	W Wet Location

RGBTW 24VDC POWER OUTPUT CABLE 6 PIN CONNECTOR WET LOCATION

The flexible power cable connector is designed to provide a safe and reliable waterproof connection between the output of the Pure Smart/WiZ Pro Bridgebox and the Flex Neon Channel with 6 pin barrel connectors. This Flexible Connector is easy to install and configure, helping you create innovative lighting designs in an outdoor commercial or residential space.



Product	Type	Size	Color Temperature	Option
SS	CFX	12IN	RGBTW	W
SS Soft Strip and Flex Neon	CFX Flexible 6 Wire Connector	12IN 12" 96IN 96"	RGBTW TruColor Red, Green, Blue & Tunable White	W Wet Location

PROJECT		FIXTURE TYPE		DATE	
---------	--	--------------	--	------	--



WET LOCATION T-CONNECTOR

Our Wet Location T-Connector is a robust rugged design especially suited to withstand the challenges of damp and wet environments. This unique T-Connector has one Male and two Female Connectors and is suitable for multiple indoor and outdoor uses. Versatile design is easy to use, making installation quick and efficient.

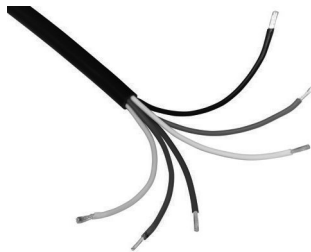
Product	Type	Option
SS	TC	W
SS Soft Strip and Flex Neon	TC T-Connector	W Wet Location



RGBTW 24VDC POWER OUTPUT CABLE 6 PIN T-CONNECTOR WET LOCATION

Our 6 Pin RGBTW Wet Location T-Connector is a robust rugged design especially suited to withstand the challenges of damp and wet environments. This unique T-Connector has one Male and two Female Connectors and is suitable for multiple indoor and outdoor uses. Versatile design is easy to use, making installation quick and efficient.

Product	Type	Color Temperature	Option
SS	TC	RGBTW	W
SS Soft Strip and Flex Neon	TC T-Connector	RGBTW TruColor Red, Green, Blue & Tunable White	W Wet Location



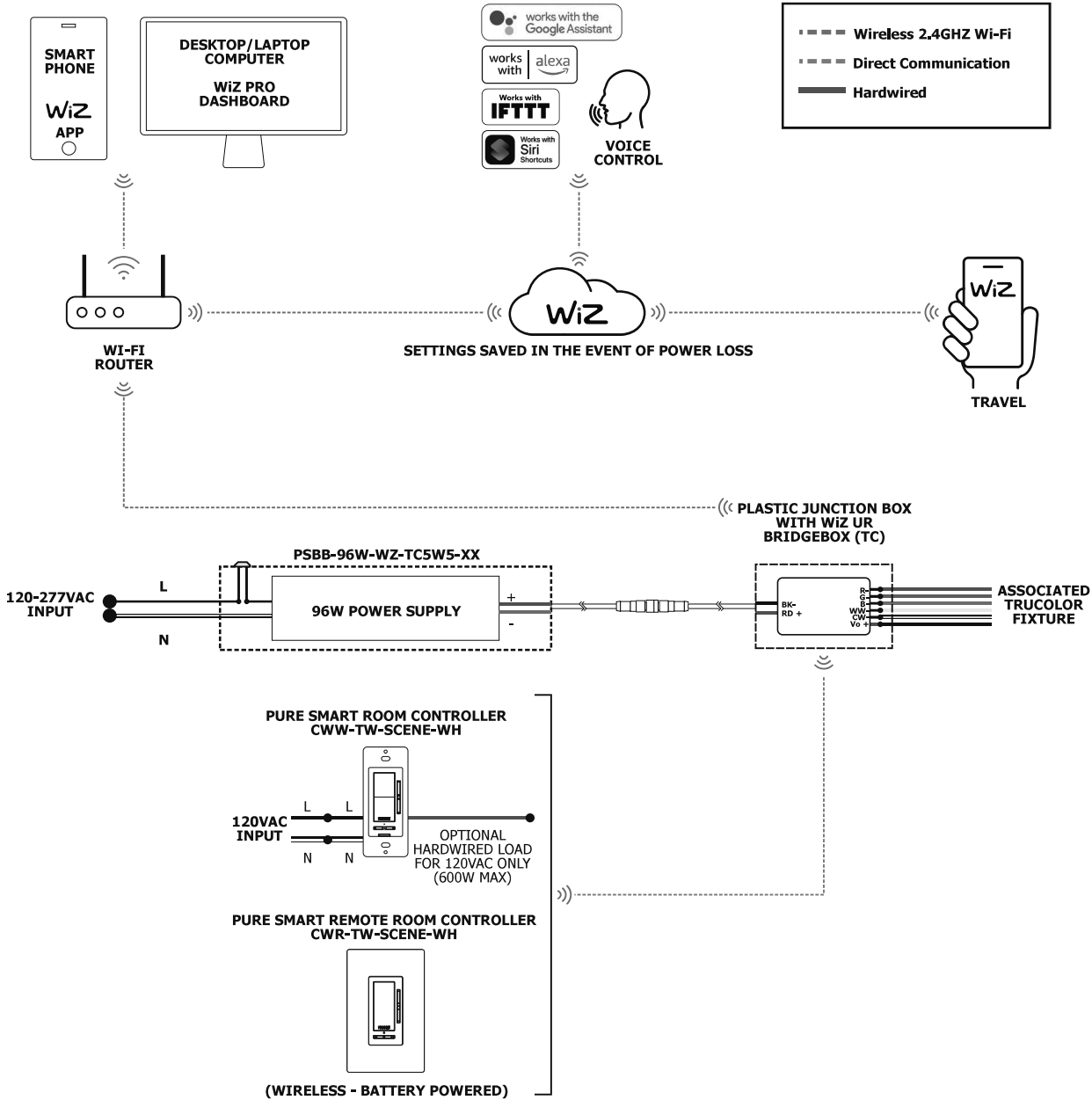
WET AND DAMP LOCATION CABLE ORDER PER FOOT

Our Wet Location, 6 Conductor, 14 Gauge Cable is a durable and adaptable cable suitable for transmitting power, control, and switching in indoor and outdoor wet and damp environments. Cable sold by the foot, simply specify the length needed by the foot. Keep within 50 ft between fixture and power supply. Cable sold by the foot, simply specify the length needed by the foot.

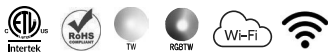
Product	Gauge	Cable
OC	14G	6C
OC Outdoor Cable	14G 14 Gauge	6C 6 Conductor

PROJECT	FIXTURE TYPE	DATE
---------	--------------	------

NETWORK TOPOLOGY & WIRING DIAGRAMS



PROJECT		FIXTURE TYPE		DATE	
---------	--	--------------	--	------	--



PURE SMART™ Wi-Fi 120V ROOM CONTROLLER

CONNECTED BY WIZ PRO



REV 05.10.24



DESCRIPTION:

The Pure Smart™ Wi-Fi Room Controller works with any WIZ Connected Smart fixtures/lamps. The Room Controller grants independent adjustment of both color temperature and intensity, as well as scene selection for Single Channel/Static, Tunable White, and TruColor™ RGBTW Fixtures. Four preset scenes can be associated with the room controller via the WIZ App. Custom scenes can be created using multiple layers of light, colors, and can include Pure Smart Wi-Fi Dimmer and Switch as well. No Hub required. Room Controller communicates with fixtures directly on the Local Area Network allowing for control even if the Wi-Fi goes down. Compatible with WIZ Connected fixtures only. For custom quotes and layout assistance, send your drawings and ideas to our design team: design@PureEdgeLighting.com.

OPERATION

Features ON/OFF buttons, CCT and brightness control rockers, and 4 preset/custom scene selections. Maximum output of 600W for hardwired WIZ Connected devices. No load restriction when load wire is not used and devices are connected wirelessly to Room Controller. Communicates with 2.4GHz Wi-Fi only. No Hub Required.

SECURITY

3rd party log-in and cloud security provide a safe and protected connection. WIZ does not store nor share any personal information.

EASY INSTALLATION

The Pure Smart™ Wi-Fi Room Controller installs just like a traditional dimmer. 120V power is all that is needed. Switch leg is optional for CWW-TW-SCENE-WH. This is also offered in a completely wireless version (See Pure Smart Remote Room Controller CWR-TW-SCENE-WH). Compatible with standard gangable boxes. Requires neutral wire. No Hub Required. Single Pole or 3-way compatible. 3-way can be achieved by assigning two room controllers (CWW-TW-SCENE or CWR-TW-SCENE-WH) to the same target/room/fixture. 3-way can also be achieved with a room controller in combination with the Pure Smart Dimmer (SWW-DIM-WH), or the Pure Smart Switch (SWW-SWT-WH) by assigning the dimmer or switch as a target to the room controller.

WIZ APP

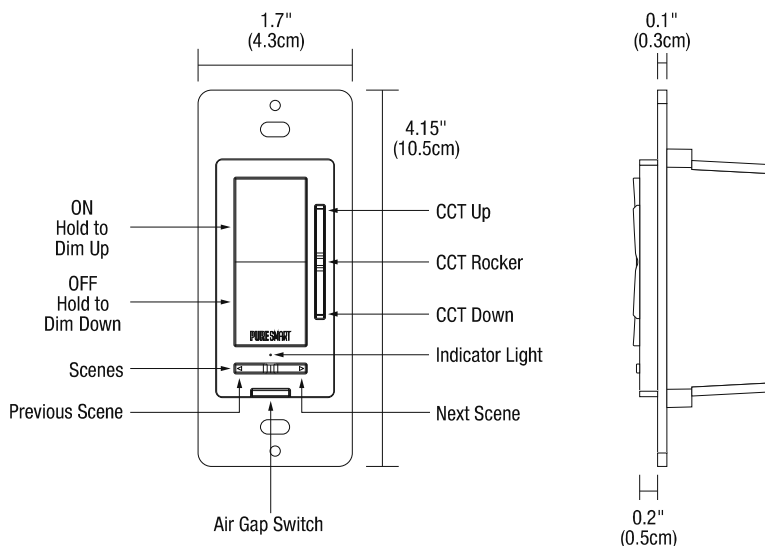
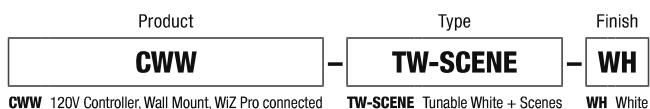
The Room Controller is added as an accessory in the WIZ app (Available on iOS or Android) and communicates directly to the WIZ enabled light fixture via direct wi-fi signal on Local Area Network (LAN). Voice control enabled when used in conjunction with Google Assistant, Siri, Alexa, IFTTT, and SmartThings. Grouping, zoning, scheduling, and custom scenes can all be programmed with the WIZ app or WIZ Pro Dashboard.

BODY

Durable polycarbonate body, compatible with decorator style wall plate (not included).

SPECIFICATIONS

Approved Location	Dry / Indoor
Input Voltage	120Vac - 60 Hz
Certification	cULus, FCC
Compatible Load(s)	WIZ Connected products only
Maximum Power	600W (Hardwired Loads), No Maximum for Wireless Loads
Output Current	5A
Power Consumption	Relay OFF: 0.07W Soft OFF: 0.79W ON: 0.79W
Dimming	Dims to 3%
Operating Temperature	23°F~113°F (-5°C~45°C)
Wireless Frequency	2.4GHz
Wireless Standard	IEEE 802.11
Warranty	3 Year



PROJECT	FIXTURE TYPE	DATE
---------	--------------	------



DESCRIPTION:

The Pure Smart™ Wi-Fi Remote Room Controller works with any WiZ Connected Smart fixtures/lamps. The Remote Room Controller is powered by four AAA batteries (not included) and grants independent adjustment of color temperature and intensity, as well as scene selection for four favorite scenes which are selected and assigned to the room controller in the WiZ App. The four favorited scenes, as with any scene in the WiZ ecosystem, can consist of any combination of products including bulbs, luminaires, or smart controls and can support any combination of color ranges including static white or dimmable white, Tunable White, and Tricolor RGBTW allowing for intricate customization and control. No Hub required. Room Controller communicates with fixtures directly on the Local Area Network allowing for control even if the Wi-Fi goes down. Compatible with WiZ Connected fixtures only. For custom quotes and layout assistance, send your drawings and ideas to our design team: design@PureEdgeLighting.com.

OPERATION

Dimming, CCT control rocker, and a scene control toggle. No load maximum. Communicates with 2.4GHz Wi-Fi only. No Hub Required.

EASY INSTALLATION

The Pure Smart™ Wi-Fi Remote Room Controller is powered by 4 AAA batteries (not included) and is therefore completely wireless. Multiple mounting methods available including to a standard switch box, on the wall with the included drywall anchors or adhesive strip, or kept on a tabletop with the rubber pads that help to keep it stationary. Single Pole or 3-way compatible with Pure Smart Dimmer (SWW-DIM-WH), Pure Smart Switch (SWW-SWT-WH), 120V Room Controller (CWW-TW-SCENE-WH) and another Remote Room Controller. No wires. No hub. Total control.

WiZ APP

The Room Controller is added as an accessory in the WiZ app (Available on iOS or Android) and communicates directly to the WiZ enabled light fixture via direct wi-fi signal on Local Area Network (LAN). Voice control enabled when used in conjunction with Google Assistant, Siri, Alexa, IFTTT, and SmartThings. Grouping, zoning, scheduling, and custom scenes can all be programmed with the WiZ app or WiZ Pro Dashboard.

BODY

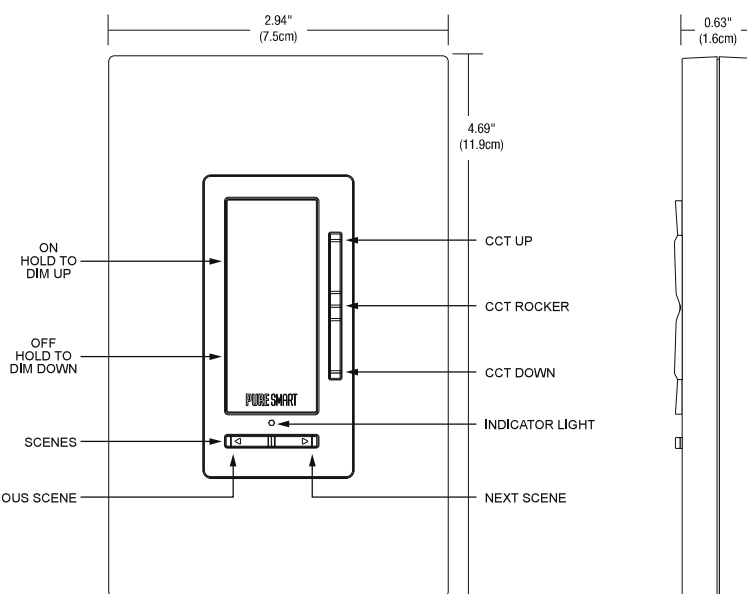
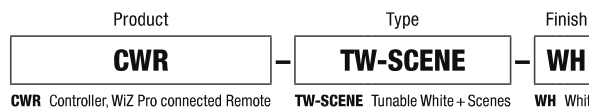
Durable polycarbonate body.

SECURITY

3rd party log-in and cloud security provide a safe and protected connection. WiZ does not store nor share any personal information.

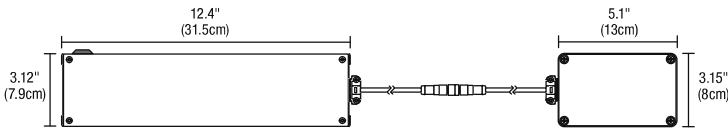
SPECIFICATIONS

Approved Location	Dry / Indoor
Input Voltage	4 AAA batteries (not included)
Certification	cULus, FCC
Compatible Load(s)	WiZ Connected products only
Maximum Power	No Load Maximum
Output Current	5A
Power Consumption	Relay OFF: 0.07W Soft OFF: 0.79W ON: 0.79W
Dimming	Dims to 3%
Operating Temperature	23°F~113°F (-5°C~45°C)
Wireless Frequency	2.4GHz
Wireless Standard	IEEE 802.11
Warranty	3 Year

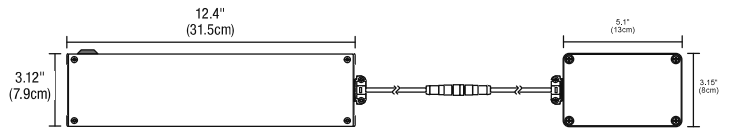


PROJECT	FIXTURE TYPE	DATE
---------	--------------	------

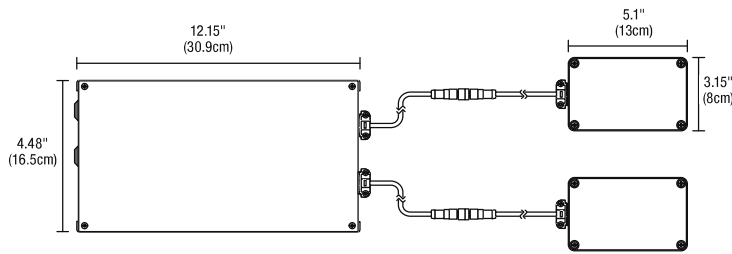
60W



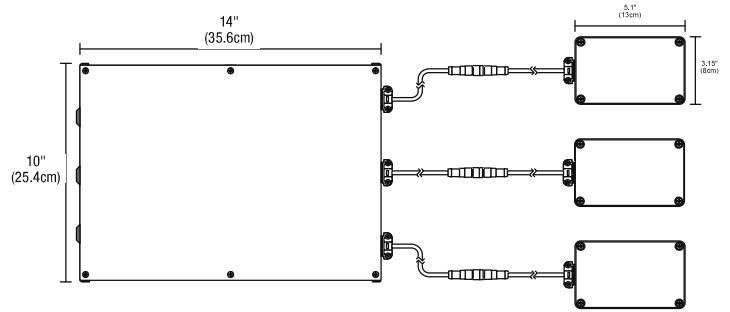
96W



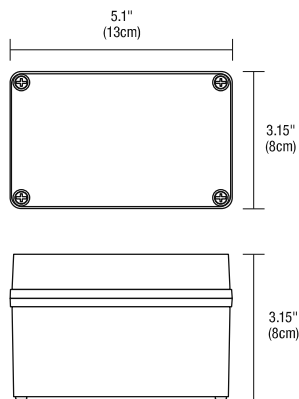
2X96W



3X96W



BRIDGEBOX DETAIL



PROJECT		FIXTURE TYPE		DATE	
---------	--	--------------	--	------	--