

REVEAL WALL WASH 2 DIY

DO-IT-YOURSELF PLASTER-IN LED SYSTEM

DESIGNED BY GREGORY KAY | ASSEMBLED IN AMERICA | PATENT PENDING

REV 07.09.25



Let the Drywall be Your Canvas

DESCRIPTION

Our new generation of the Reveal Wall Wash illuminates the wall from the top of the ceiling to the floor. Recessed within 5/8" drywall without the need for joist modification. Our DIY (Do-It-Yourself) Plaster-in, 24VDC LED system recesses within 5/8" drywall, without any joist modification. Create beautiful and complex configurations simple by using pre-formed components, streamlining the installation process. The slim extrusions, LED strips, and lenses are field-cuttable, and run as long as 40' before re-feeding. Multiple runs of channel mount flawlessly together providing smooth and glare-free general illumination using designer-grade Color Rendering LEDs (95+ CRI). Offered in a broad range of wattages and Color Temperatures from 2400K through 4000K, Warm Dim (**27D** or **30D**), Tunable White (**2K6K** or **27K6**), Dynamic **RGB**, **RGB+White** in 2000K (special order in 27K, 30K and 40K), and TruColor™ **RGBTW** Color Changing RGB with Tunable White 1500K-6500K. Influenced by simplicity and elegance, the Reveal Wall Wash DIY brings together a modern and dynamic appearance to residential and commercial environments, offering unlimited creativity, and empowering you to design one-of-a-kind, personalized spaces. Let the drywall be your canvas. Coordinate installation with electrical and drywall contractors. For custom designs and quotes, send drawings to design@PureEdgeLighting.com.

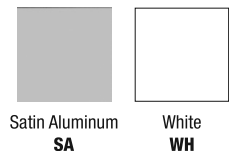
DESIGN NOTE

Reveal Wall Wash is an ideal wall washing solution for contemporary spaces. Multiple runs of channel mount seamlessly together and may wrap inside corners to wash surrounding walls with uniform controlled illumination up to 95+ CRI.

APPLICATIONS

Designed for any Indoor space with drywall, including Damp locations. Ideal applications in Residential, Commercial, Retail, and Hospitality environments.

FINISHES



ORDERING

LED Strip and Remote Power Supplies are Required and Sold Separately, In-Wall Mounting Kits are available for select options. Channels are sold in 8' increments, field-cuttable to any length, the LED strips are ordered in 1' increments, and can be cut every 2.4", 3", or 4" depending on the color temperature selection.

PRE-FORMED COMPONENTS

8' Channel and Lens, End Feed Power Connector, Center Feed Power Connector, Junction Box, Outside Corner Channel Connector, Inside Corner Channel Connector, Take-Up Box, Straight Joiner.

To determine the necessary wire gauge use our [Voltage Drop Calculator](#).

COMPLIANCE

ETL Listed, RoHS, Class 2, Damp Location, Made in USA.

LUMEN PERFORMANCE

- 575lm/ft at 3000K 10 watts per foot, 92 CRI
- 5, 7 or 10 watts per foot
- For all Lumen's performance see Pg 9-16

LAMP

- Static White Color Temperatures ranging from **2400K** through **4000K**
- Warm Dim: **27D** and **30D** dim down to 1800K, resembling halogen light sources
- Tunable White: **2K6K** and **27K6** grants independent control for adjusting color temperature and intensity
- Dynamic RGB & RGB+White in 1500K (**RGB**, **RGB20K**) (special order in 27K, 30K and 40K)
- TruColor™ **RGBTW** Dynamic RGB with Tunable White 1500K-6500K
- Designer Grade High CRI up to 95+ LEDs
- Average Lamp Life 50,000 hours

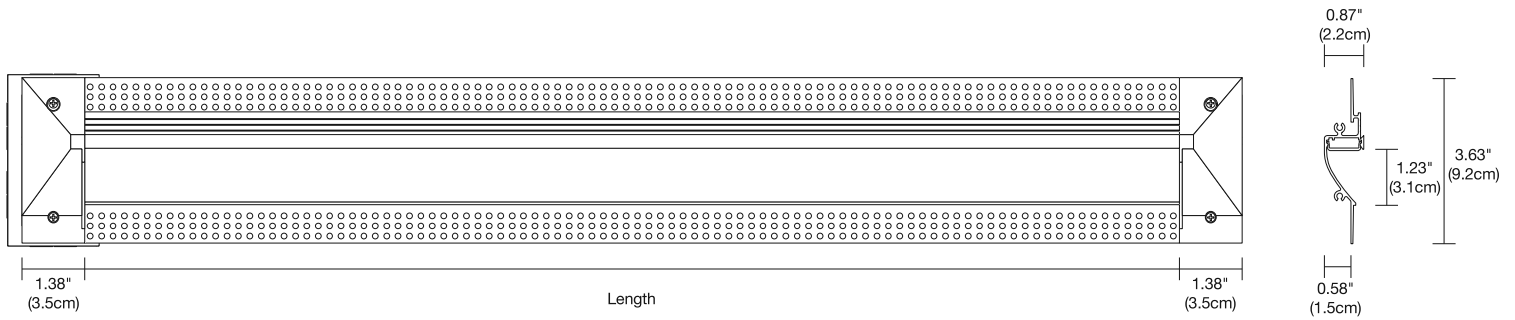
REMOTE POWER SUPPLIES*, DIMMERS & CONTROLS (SOLD SEPARATELY)

- [Static White](#)
- [Warm Dim](#)
- [Pro Dim](#)
- [Tunable White](#)
- [RGB](#)
- [RGBW](#)
- [TruColor™ RGBTW](#)
- [Monochromatic](#)

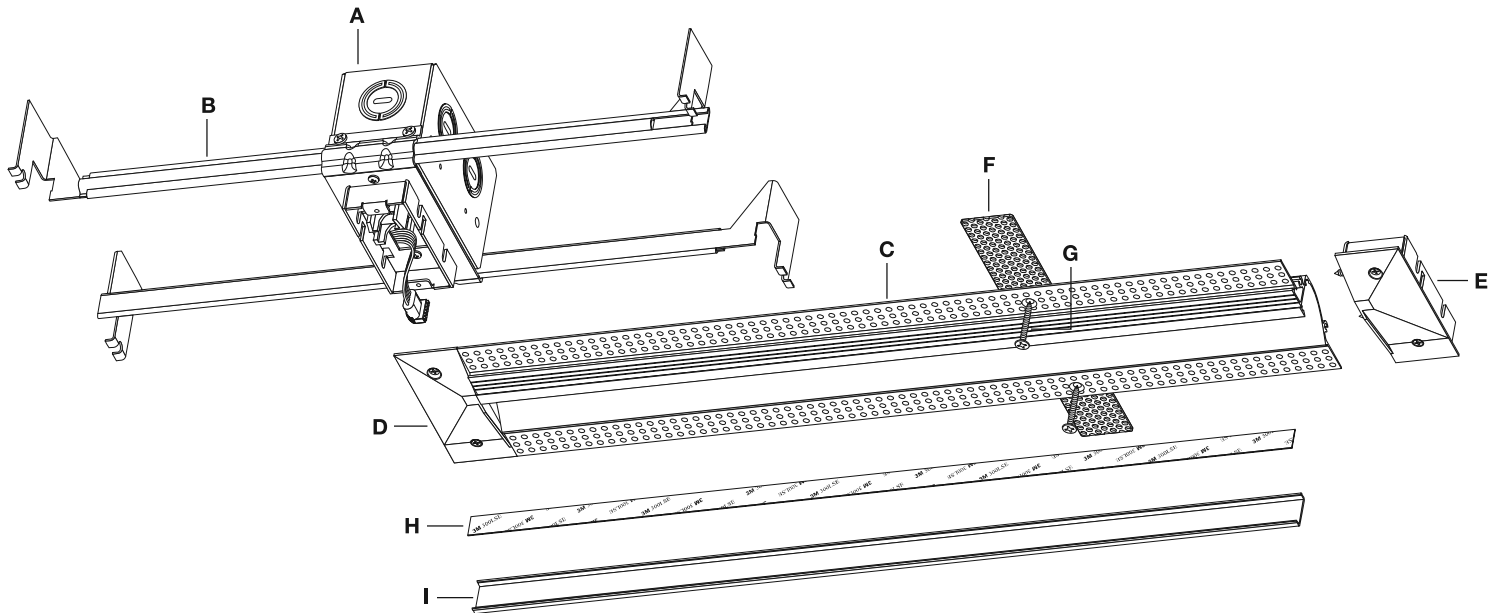
PROJECT	FIXTURE TYPE	DATE
---------	--------------	------

REVEAL WALL WASH 2 DIY

24VDC, PLASTER-IN LED SYSTEM



SYSTEM OVERVIEW



A. JUNCTION BOX

Mounts behind drywall with Adjustable Mounting Bars, and includes a drywall template for accurate installation. Low Voltage 24VDC wires from Remote Power Supply connect to LED wires inside box. Junction Box opening is concealed with the Reveal Junction Box cover and is required at the beginning of each run.

B. ADJUSTABLE MOUNTING BARS

Provide flexibility for mounting in a variety of spaces.

C. REVEAL WALL WASH 2 CHANNEL

0.5" deep extrusion houses a single row of commercial-grade White or Dynamic Color Changing LED Soft Strip.

D. POWER END CAP WITH COVER

Provides a connection area for 24VDC wires at beginning of run where LED Soft Strip enters channel.

E. TAKE UP BOX

Conceals Junction Box opening. Required at the beginning of each run.

F. MOUNTING STRAP

For use when mounting between studs, place behind drywall. One strap included for every 3 feet

G. DRYWALL SCREWS

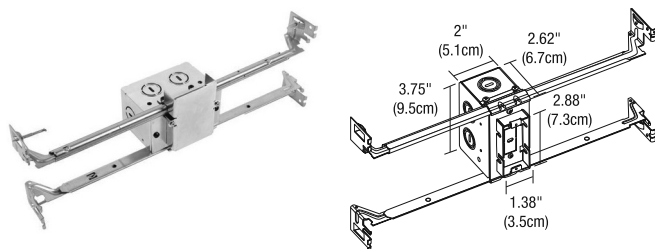
Secure channel to drywall and stud

H. LED STRIP

(Back Side shown) commercial-grade White or Dynamic Color Changing LED Soft Strip. See lamp data on for additional details.

I. LENS

Diffused white lens projects a clean line of light without pixelation.



JUNCTION BOX ROUGH-IN COMPONENT

One Junction Box is included with Reveal Wall Wash. Order additional Junction Box separately to rough-in electrical wiring before drywall installation. Quick shipment available.

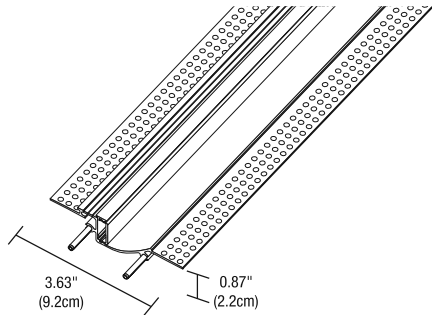
System	Size	Component
RVWW2	1RE	JBOX
RVWW2 Reveal Wall Wash	1RE 1" Rectangle	JBOX Junction Box

PROJECT	FIXTURE TYPE	DATE
---------	--------------	------

REVEAL WALL WASH 2 DIY

24VDC, PLASTER-IN LED SYSTEM

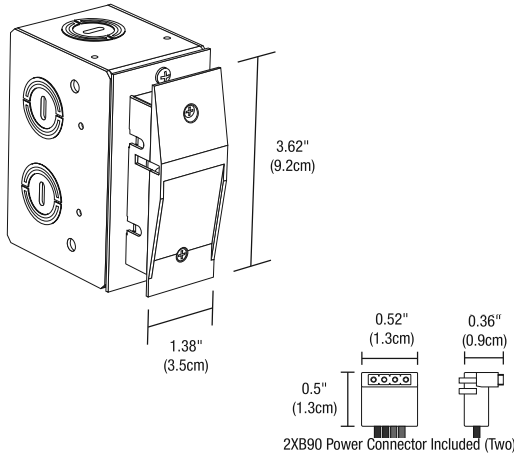
COMPONENTS



8' CHANNEL & LENS

8' Plaster-In Channel with Lens. LED Strip (not included) installed flat in the channel. Allows for the creation of Reveal Wall Wash 2 DIY systems. Field cuttable to any length. Includes Channel Joiners.

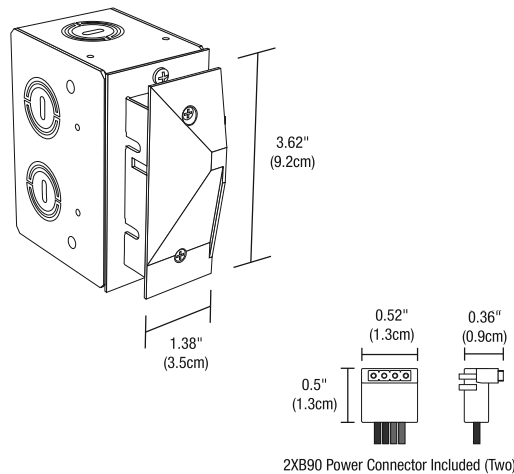
System	Component	Size	Reflector Finish
RVWW2	CHLN	8FT	SA
RVWW2 Reveal Wall Wash 2	CHLN Channel and Lens	8FT 8'	SA Satin Aluminum WH White



CENTER FEED POWER CONNECTOR

Used in longer runs that require additional power feeds. LED strip not included. Includes Junction Box, Adjustable Mounting Bars, Channel Joiners, and two B90 Power Connectors.

System	Component	Reflector Finish	Options
RVWW2	CFP	SA	BLANK
RVWW2 Reveal Wall Wash 2	CFP Center Feed Power Connector	SA Satin Aluminum WH White	RGBW Red, Green, Blue, and White RGBTW Red, Green, Blue, and Tunable White *Leave blank for all other color temperatures



END FEED POWER CONNECTOR

Used when there is only one 24VDC power location. LED strip not included. Includes two End Caps - left and right side, Junction Box, Adjustable Mounting Bars, Channel Joiners, and B90 Power Connectors.

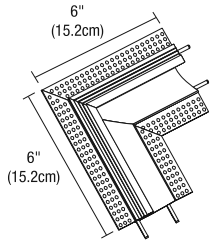
System	Component	Finish	Options
RVWW2	EP	SA	BLANK
RVWW2 Reveal Wall Wash 2	EP End Feed Power Connector	SA Satin Aluminum WH White* *End Caps are paintable	RGBW Red, Green, Blue, and White RGBTW Red, Green, Blue, and Tunable White *Leave blank for all other color temperatures

PROJECT		FIXTURE TYPE		DATE	
---------	--	--------------	--	------	--

REVEAL WALL WASH 2 DIY

24VDC, PLASTER-IN LED SYSTEM

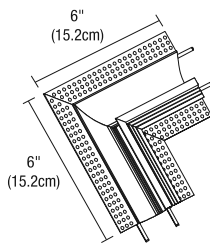
ADDITIONAL COMPONENTS



L-SHAPED OUTSIDE CORNER CHANNEL CONNECTOR

Allows for seamless runs following the contour of an outside corner. The Outside Corner Channel Connector comes in two Reflector Finish options and includes Channel Joiners. LED strip not included.

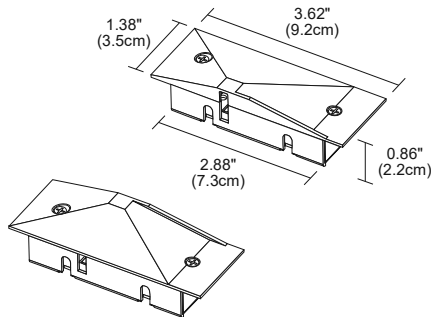
System	Component	Reflector Finish
RVWW2	LO	SA
RVWW2 Reveal Wall Wash 2	LO L-Shaped Channel Outside Corner Connector	SA Satin Aluminum WH White



L-SHAPED INSIDE CORNER CHANNEL CONNECTOR

Allows for seamless runs following the contour of an inside corner. The Inside Corner Channel Connector comes in two Reflector Finish options and includes Channel Joiners. LED strip not included.

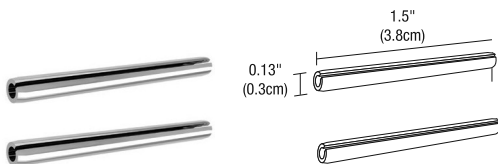
System	Component	Reflector Finish
RVWW2	LI	SA
RVWW2 Reveal Wall Wash 2	LI L-Shaped Channel Inside Corner Connector	SA Satin Aluminum WH White



END CAP PAIR

Pair of Paintable Satin Aluminum End Caps.

System	Component
RVWW2	ECAP
RVWW2 Reveal Wall Wash	ECAP End Cap Pair



STRAIGHT CONNECTORS

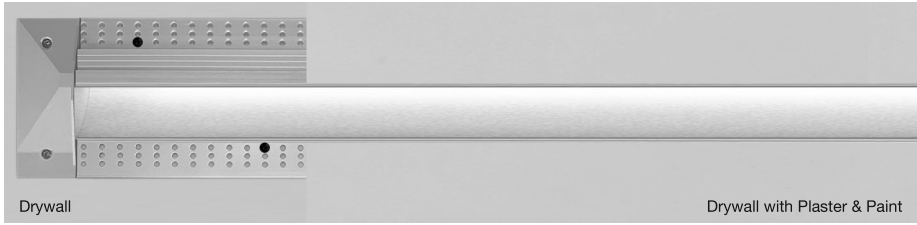
Ships as a pair to connect two channels together. Channel, Channel Connectors, and Power Feeds include Channel Joiners. Additional Channel Joiners may be necessary based on lighting design.

System	Component
RV	SC
RV Reveal	SC Straight Connector

PROJECT		FIXTURE TYPE		DATE	
---------	--	--------------	--	------	--

REVEAL WALL WASH 2 DIY

24VDC, PLASTER-IN LED SYSTEM



DELIVERED LUMENS

DESCRIPTION	ST5A								ST7A					SS10C				
WATTS PER FOOT	4.4 Watts (*4.8 Watts WarmDim)								7.3 Watts					9.6 Watts				
COLOR TEMPERATURE	24K	27K	27D*	30K	30D*	35K	40K	24K	27K	30K	35K	40K	24K	27K	30K	35K	40K	
LUMENS PER FOOT (lm/ft)	286	289	330	301	343	345	364	442	446	465	533	563	524	552	575	660	696	
LUMENS PER WATT (lm/w)	65	66	69	68	72	78	83	61	61	64	73	77	55	57	60	69	72	
CRI	92+	92+	94+	92+	94+	92+	92+	92+	92+	92+	92+	92+	90+	95+	95+	85+	85+	

DESCRIPTION	ST5A - 2K6K										ST7A - 2K6K										ST10A - 2K6K									
WATTS PER FOOT	4.6 Watts										7.5 Watts										9.6 Watts									
COLOR TEMPERATURE	20K	22K	24K	27K	30K	35K	40K	57K	65K	20K	22K	24K	27K	30K	35K	40K	57K	65K	20K	22K	24K	27K	30K	35K	40K	57K	65K			
LUMENS PER FOOT (lm/ft)	200	208	217	225	233	249	267	270	272	279	292	305	318	331	357	376	380	384	536	575	575	606	585	575	431	431	536			
LUMENS PER WATT (lm/w)	44	43	45	47	49	52	56	56	59	44	41	42	44	46	50	52	53	60	58	60	60	63	61	60	45	45	58			
CRI	91+	91+	91+	94+	93+	92+	92+	91+	91+	91+	91+	91+	94+	93+	92+	92+	91+	91+	91+	91+	92+	94+	94+	94+	92+	91+	91+			

DESCRIPTION	ST5A - 27K6										ST7A - 27K6										ST10A - 27K6									
WATTS PER FOOT	4.6 Watts										7.5 Watts										9.6 Watts									
COLOR TEMPERATURE	27K	30K	35K	40K	45K	57K	65K	27K	30K	35K	40K	45K	57K	65K	27K	30K	35K	40K	45K	57K	65K									
LUMENS PER FOOT (lm/ft)	224	229	237	246	243	241	240	302	309	320	332	328	326	325	534	549	566	582	560	553	536									
LUMENS PER WATT (lm/w)	56	50	52	53	53	52	60	47	43	45	46	46	45	51	58	57	59	59	61	58	58									
CRI	94+	93+	92+	92+	92+	92+	91+	94+	93+	92+	92+	92+	92+	91+	94+	93+	93+	93+	93+	91+	91+									

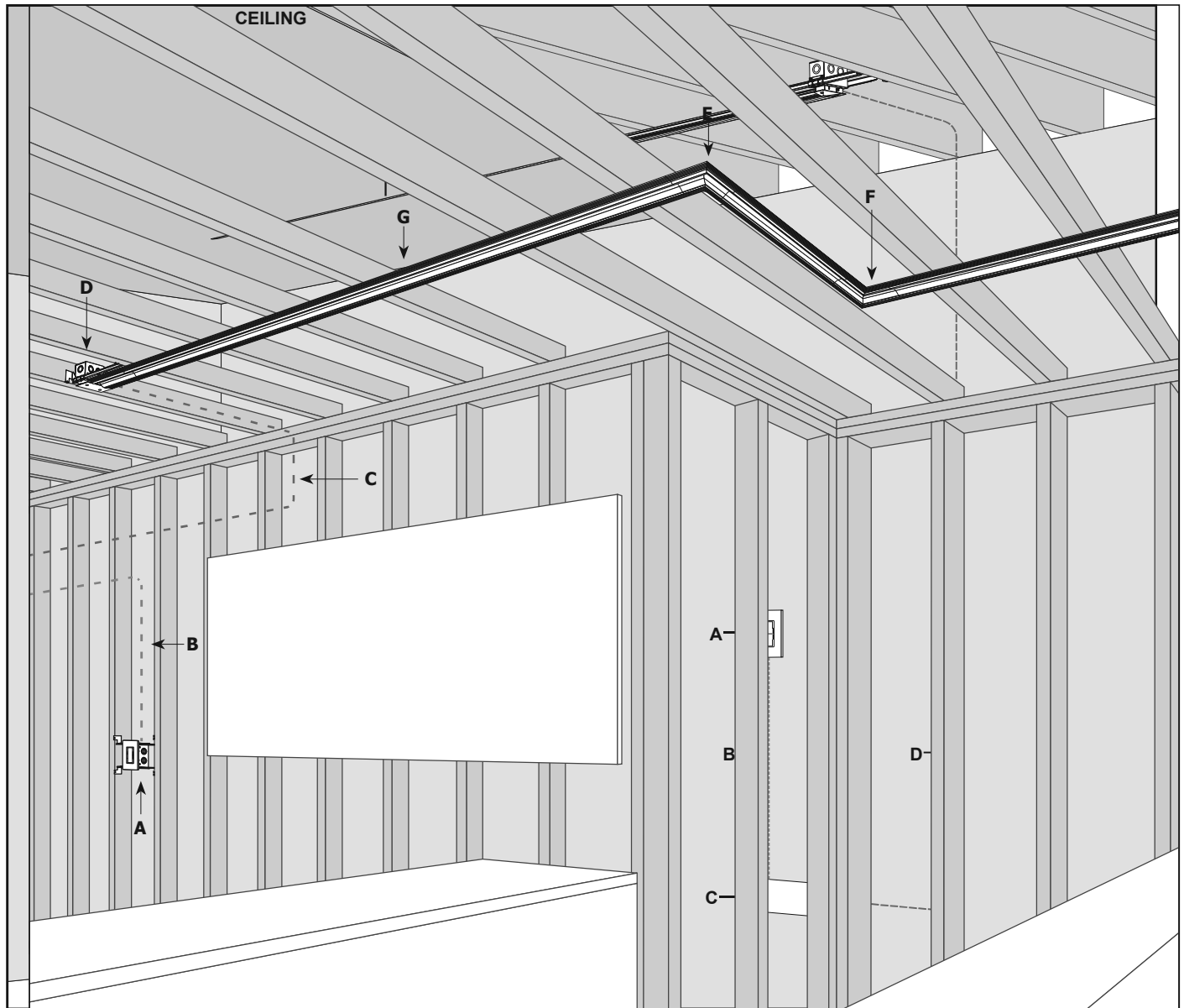
DESCRIPTION	S5W5										S5W7										S5W10									
WATTS PER FOOT	4.6 Watts										6.4 Watts										8.3 Watts									
COLOR TEMPERATURE	20K	22K	24K	27K	30K	35K	40K	57K	65K	20K	22K	24K	27K	30K	35K	40K	57K	65K	20K	22K	24K	27K	30K	35K	40K	57K	65K			
LUMENS PER FOOT (lm/ft)	108	200	207	218	230	245	256	187	168	116	266	278	292	308	328	348	216	187	137	340	356	370	395	421	445	244	183			
LUMENS PER WATT (lm/w)	40	44	48	51	54	56	61	63	61	35	69	45	49	50	53	60	62	59	39	42	45	48	50	54	54	67	46			
CRI	93	94	95	93	96	96	94	93	93	93	94	96	95	96	96	94	93	93	94	94	95	95	96	95	94	94	93			

PROJECT		FIXTURE TYPE		DATE	
---------	--	--------------	--	------	--

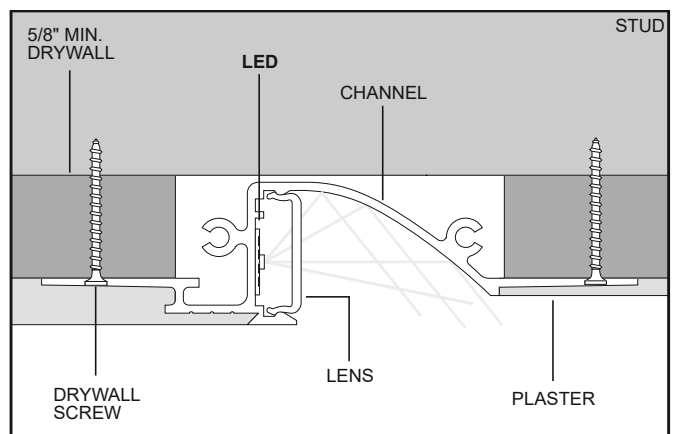
REVEAL WALL WASH 2 DIY

24VDC, PLASTER-IN LED SYSTEM

INSTALLATION



- A. DIMMER OR SWITCH
- B. 120VAC WIRING TO 120V/24VDC REMOTE POWER SUPPLY, FOR IN-WALL MOUNTING KIT
- C. 24VDC, CLASS 2 WIRING
- D. END FEED POWER CONNECTOR WITH JUNCTION BOX
- E. L-SHAPED OUTSIDE CORNER CHANNEL CONNECTOR
- F. L-SHAPED INSIDE CORNER CHANNEL CONNECTOR
- G. REVEAL WALL WASH CHANNEL



■ DIRECTION OF LIGHT

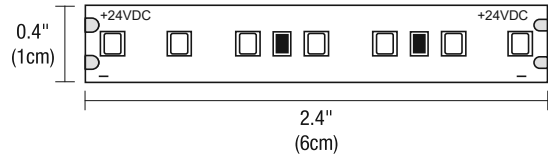
PROJECT		FIXTURE TYPE		DATE	
---------	--	--------------	--	------	--

STOMP STRIP, STATIC WHITE

24VDC WITH PIN CONNECTORS & SOLDERED LEADS

DESIGNED BY GREGORY KAY | ASSEMBLED IN AMERICA

REV 07.09.25



Our Low Voltage LED strips are highly durable, designed to withstand the harsh elements of a job site, and precision engineered to provide superior color rendering up to 94+ CRI. Both Stomp Strip and Soft Strip are used for our **DIY** (Do-it-Yourself) fixtures and systems.

FEATURES & BENEFITS

- Offered with Pin Connectors or Pre-soldered leads reducing time and labor during installation
- Developed to meet popular demand for resilient performance without sacrificing output, color rendering and efficacy
- Tolerance: Created to resist damage in rigorous environments such as busy commercial jobsites
- Compact LED spacing: Produces uniform light distribution without visible diodes or hot spots when used within a diffused lens
- 4oz Layer of Copper Busbar: Provides superior heat dissipation and less voltage drop equivalent to 14AWG wire
- Premium Coating: Optically Clear Silicone prevents fading over time
- Mounting: Industrial 3M tape lined strip for strong, self-adhesion to most smooth, finished surfaces
- Suitable for indoor damp locations
- Warranty: Includes a 5-year pro-rated warranty

SPECIFICATIONS

- 24VDC
- 2.5, 4.4, 7.3 or 9.6 watts per foot
- Sold in 1' increments
- Field-cutable in 2.4" increments
- Operating temperature: -22°F to 140°F (-30°C to 60°C)

LAMP

- Offered in multiple Static White Color Temperatures: 2400K, 2700K, 3000K, 3500K & 4000K
- Average life: 50,000 hours

REMOTE POWER SUPPLIES*, DIMMING & CONTROLS (SOLD SEPARATELY)

24VDC, Class 2 wiring

- Pure Smart™ WiZ Pro [Power Supplies](#) & [Smart Controls](#)
- [UNI Driver: Universal Dimming](#) (ELV, TRIAC, 0-10V) ELV & TRIAC [Smart Dimmer & Switch](#)
- [DALI/DALI-2](#)
- [Lutron Hi-Lume/Ecosystem](#)

*In-Wall Mounting and drop ceiling Kits available for select power supplies

MAXIMUM LENGTHS BEFORE RE-FEEDING

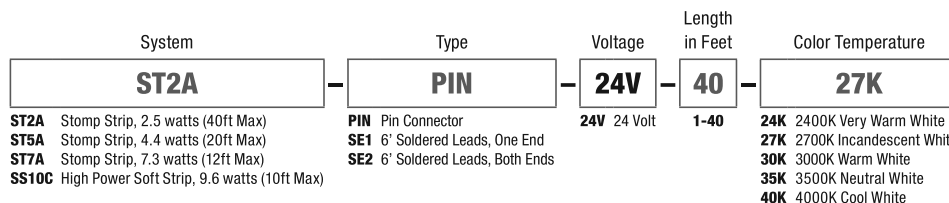
- 2WDC, 2.5 watts per foot - 40'
- 5WDC, 4.4 watts per foot - 20'
- 7WDC, 7.3 watts per foot - 12'
- 10WDC, 9.6 watts per foot - 10'

APPROVALS

Class 2 Wiring up to 100 watts, Damp Location Suitable, ETL listed, RoHs, Title 24 JA8 listed for 2700K CCT and above when used with PureEdge remote Universal power supplies.

NOMINAL LAMP DATA	ST2A					ST5A				
WATTS PER FOOT	2.5W					4.4W				
COLOR TEMPERATURE	24K	27K	30K	35K	40K	24K	27K	30K	35K	40K
LUMENS PER FOOT (lm/ft)	284	287	299	343	362	525	531	553	634	669
LUMENS PER WATT (lm/w)	114	115	120	137	145	119	121	126	144	152
CRI	92+	92+	92+	92+	92+	92+	92+	92+	92+	92+

NOMINAL LAMP DATA	ST7A					SS10C				
WATTS PER FOOT	7.3W					9.6W				
COLOR TEMPERATURE	24K	27K	30K	35K	40K	24K	27K	30K	35K	40K
LUMENS PER FOOT (lm/ft)	811	820	854	980	1033	963	1014	1056	1212	1287
LUMENS PER WATT (lm/w)	111	112	117	134	142	100	106	110	126	133
CRI	92+	92+	92+	92+	92+	90+	95+	95+	85+	85+



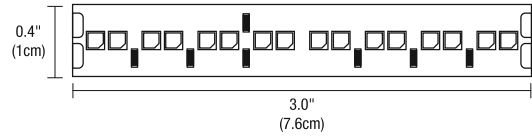
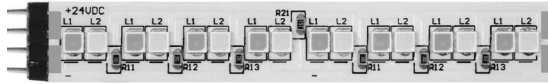
PROJECT		FIXTURE TYPE		DATE	
---------	--	--------------	--	------	--

STOMP STRIP, WARM DIM

24VDC WITH PIN CONNECTORS & SOLDERED LEADS

DESIGNED BY GREGORY KAY | ASSEMBLED IN AMERICA

REV 07.09.25



CAN'T STOMP ME OUT

Our Low Voltage Stomp Strip is highly durable, designed to withstand the harsh elements of a job site, and precision engineered to provide superior color rendering up to 94+ CRI. Warm Dim technology (**27D & 30D**) mimics an incandescent atmosphere by decreasing the color temperature as you dim. Our Warm Dim strips can be dimmed all the way down to a soothing amber hue at 1800K, reminiscent of candlelight along the halogen curve. Stomp Strip is used for our **DIY** (Do-it-Yourself) fixtures and systems.

FEATURES & BENEFITS

- Offered with Pin Connectors or Pre-soldered leads reducing time and labor during installation
- Developed to meet popular demand for resilient performance without sacrificing output, color rendering and efficacy
- Tolerance: Created to resist damage in rigorous environments such as busy commercial jobsites
- Compact LED spacing: Produces uniform light distribution without visible diodes or hot spots when used within a diffused lens
- 4oz Layer of Copper Busbar: Provides superior heat dissipation and less voltage drop equivalent to 14AWG wire
- Premium Coating: Optically Clear Silicone prevents fading over time
- Mounting: Industrial 3M tape lined strip for strong, self-adhesion to most smooth, finished surfaces
- Suitable for indoor damp locations
- Warranty: Includes a 5-year pro-rated warranty

SPECIFICATIONS

- 24VDC
- 4.8 watts per foot
- Sold in 1' increments
- Field-cutttable in 3" increments
- Operating temperature: -22°F to 140°F (-30°C to 60°C)
- Maximum length before re-feeding - 20'

LAMP

- **27D** dims from 2700K down to 1800K, and **30D** dims from 3000K down to 2000K, resembling Halogen light sources.
- Average life: 50,000 hours

REMOTE POWER SUPPLIES*, DIMMING & CONTROLS (SOLD SEPARATELY)

24VDC, Class 2 wiring

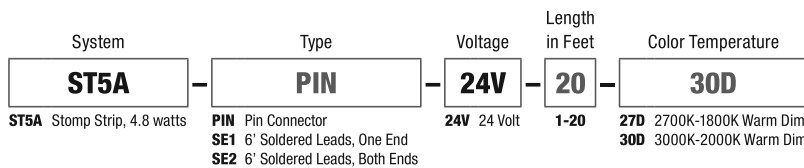
- [UNI Driver: Universal Dimming](#) (ELV, TRIAC, 0-10V) ELV & TRIAC [Smart Dimmer & Switch](#)
- [Lutron](#) Hi-Lume/Ecosystem
- [DALI/DALI-2](#)

*In-Wall Mounting and drop ceiling Kits available for select power supplies

APPROVALS

Class 2 Wiring up to 100 watts, Damp Location Suitable, ETL listed.

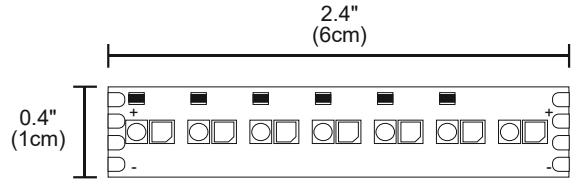
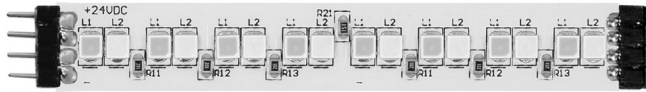
NOMINAL LAMP DATA	ST5A	
WATTS PER FOOT	4.8W	
COLOR TEMPERATURE	27D	30D
LUMENS PER FOOT (lm/ft)	606	631
LUMENS PER WATT (lm/w)	126	131
CRI	94+	94+



PROJECT	FIXTURE TYPE	DATE
---------	--------------	------

PRO WARM DIM, STOMP STRIP

24VDC WITH PIN CONNECTORS & SOLDERED LEADS



FEATURES & BENEFITS

- Pro Dim LED Strip provides adaptable dim to warm light with 0.1% Dim to off
- High CRI LEDs, offering superior color rendering and enhanced color
- Offered in 2W, 5W, 7W & 10 watts per foot
- The 0.4" (10mm) wide strip contains 35 LEDs per foot (7 LEDs per 2.4" Increment): Tight spacing of LEDs produce uniform light distribution without visible diodes or pixelation when used within a diffused lens
- Gold Plated Contacts: Prevent oxidation ensuring longevity of the LEDs
- 4oz Layer of Copper Busbar: Provides superior heat dissipation and less voltage drop equivalent to 14AWG wire
- Premium Coating: Optically Clear Silicone prevents fading over time
- Mounting: Industrial 3M tape lined strip for strong, self-adhesion to most smooth, finished surfaces
- Applications: Indoor, damp and dry locations
- Warranty: Includes a 5-year pro-rated warranty

SPECIFICATIONS

- 24VDC, 120-277VAC Input
- 2.5, 5, 7.5 and 9.6 watts per foot
- 0-10 Dimming only
- Sold in 1' increments
- Field-cutable in 2.4" increments
- Operating temperature: -22°F to 140°F (-30°C to 60°C)

LAMP

- Available in 2700K **27KPD** (dims down to 1800K) and **3000K** (30KPD) that dims down to 2000K
- Up to 592 Lumens per foot
- Linear Dimming Curve
- Designer Grade High CRI 92+ LEDs
- Average life: 50,000 hours

MAXIMUM LENGTHS BEFORE RE-FEEDING

- 2WDC - 40'
- 5WDC - 20'
- 7WDC - 12'
- 10WDC - 10'

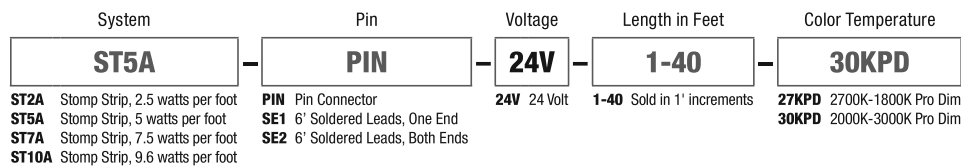
REMOTE POWER SUPPLIES*, DIMMING & CONTROLS (SOLD SEPARATELY)

24VDC, Class 2 wiring

- [Pro Dim Power Supplies & Controls](#)

*In-Wall Mounting Kits available for select Power Supplies

DESCRIPTION	ST2A KPD		ST5A KPD		ST7A KPD		ST10A KPD	
WATTS PER FOOT	2W (2.5 watts)		5W (5 watts)		7W (7.5 watts)		10W (9.6 watts)	
COLOR TEMPERATURE	27KPD	30KPD	27KPD	30KPD	27KPD	30KPD	27KPD	30KPD
LUMENS PER FOOT (lm/ft)	165	173	426	451	523	548	580	592
LUMENS PER WATT (lm/w)	66	69	66	69	58	61	50	51
CRI	92+	92+	92+	92+	92+	92+	92+	92+



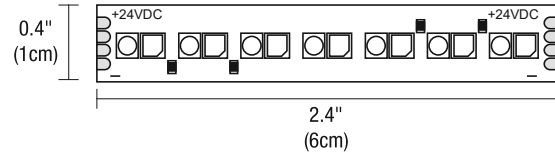
PROJECT		FIXTURE TYPE		DATE	
---------	--	--------------	--	------	--

STOMP STRIP, TUNABLE WHITE

24VDC WITH PIN CONNECTORS & SOLDERED LEADS

DESIGNED BY GREGORY KAY | ASSEMBLED IN AMERICA

REV 07.09.25



CAN'T STOMP ME OUT

Our Tunable White Stomp Strip is highly durable, designed to withstand the harsh elements of a job site, and precision engineered to provide superior color rendering. Tunable White 2000K-6500K (**2K6K**) or 2700K-6500K (**27K6**) grants independent control and adjustment of color temperature and intensity from 2000K (Sunset) through 6500K (Day Light White). Tunable white lighting visually, biologically and emotionally contributes to human interaction with the physical world. Human centric lighting (HCL) builds on this technology bringing the dynamics of natural daylight indoors, and delivering a positive effect on human health, well-being and performance. Stomp Strip is used for our **DIY** (Do-it-Yourself) fixtures and systems.

FEATURES & BENEFITS

- Offered with Pin Connectors or Pre-soldered leads reducing time and labor during installation
- Developed to meet popular demand for resilient performance without sacrificing output, color rendering and efficacy
- Tolerance: Created to resist damage in rigorous environments such as busy commercial jobsites
- 4oz Layer of Copper Busbar: Provides superior heat dissipation and less voltage drop equivalent to 14AWG wire
- Premium Coating: Optically Clear Silicone prevents fading over time
- Mounting: Industrial 3M tape lined strip for strong, self-adhesion to most smooth, finished surfaces
- Warranty: Includes a 5-year pro-rated warranty

LAMP

- Tunable White: 2000K-6500K (**2K6K**) and 2700K-6500K (**27K6**) grants independent control for adjusting color temperature and intensity
- Average life: 50,000 hours

SPECIFICATIONS

- 24VDC
- Sold in 1' increments, field-cutable in 2.4" increments
- Operating temperature: -22°F to 140°F (-30°C to 60°C)

REMOTE POWER SUPPLIES*, DIMMING & CONTROLS (SOLD SEPARATELY)

- 24VDC, Class 2 wiring
- Pure Smart™ WIZ Pro [Power Supplies](#) & [Smart Controls](#)
- **0-10V** Requires two dimmers, one for intensity and one for color temperature
- [DMX & Controls](#)
- [DALI/DALI-2](#)

*In-Wall Mounting and drop ceiling Kits available for select power supplies

MAXIMUM LENGTHS BEFORE RE-FEEDING

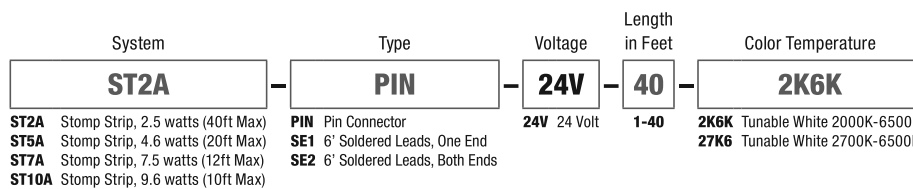
- 2WDC, 2.5 watts per foot - 40'
- 5WDC, 4.6 watts per foot - 20'
- 7WDC, 7.5 watts per foot - 12'
- 10WDC, 9.6 watts per foot - 10'

APPROVALS

Class 2 Wiring up to 100 watts, Damp Location Suitable, ETL listed, RoHS.

NOMINAL LAMP DATA	ST2A 2K6K								ST5A 2K6K								ST7A 2K6K								ST10A 2K6K											
WATTS PER FOOT	2.5 Watts								4.6 Watts								7.5 Watts								9.6 Watts											
COLOR TEMPERATURE	20K	22K	24K	27K	30K	35K	40K	57K	65K	20K	22K	24K	27K	30K	35K	40K	57K	65K	20K	22K	24K	27K	30K	35K	40K	57K	65K	20K	22K	24K	27K	30K	35K	40K	57K	65K
LUMENS PER FOOT (lm/ft)	152	154	156	158	160	165	180	194	208	368	383	398	413	428	458	491	496	500	512	536	560	584	608	656	691	698	705	984	1056	1056	1114	1075	1056	792	792	984
LUMENS PER WATT (lm/w)	82	77	78	79	80	82	90	97	115	80	80	83	86	89	95	102	103	109	80	74	78	81	84	91	96	97	110	123	110	110	116	112	110	110	110	123
CRI	91+	91+	91+	94+	93+	92+	92+	91+	91+	91+	91+	91+	94+	93+	92+	92+	91+	91+	91+	91+	91+	94+	93+	92+	92+	91+	91+	91+	91+	92+	94+	94+	94+	92+	91+	91+

NOMINAL LAMP DATA	ST2A 27K6								ST5A 27K6								ST7A 27K6								ST10A 27K6										
WATTS PER FOOT	2.5 Watts								4.6 Watts								7.5 Watts								9.6W										
COLOR TEMPERATURE	27K	30K	35K	40K	45K	57K	65K	27K	30K	35K	40K	45K	57K	65K	27K	30K	35K	40K	45K	57K	65K	27K	30K	35K	40K	45K	57K	65K	27K	30K	35K	40K	45K	57K	65K
LUMENS PER FOOT (lm/ft)	164	195	201	206	225	242	231	411	420	436	452	447	443	442	555	567	589	610	603	598	596	981	1009	1039	1069	1028	1017	984							
LUMENS PER WATT (lm/w)	82	78	80	82	90	97	115	103	91	95	98	97	96	110	87	79	82	85	84	83	93	123	110	113	116	112	111	123							
CRI	94+	93+	92+	92+	92+	92+	91+	94+	93+	92+	92+	92+	91+	94+	94+	93+	92+	92+	92+	92+	91+	94+	93+	93+	93+	93+	91+	91+							



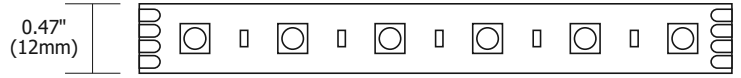
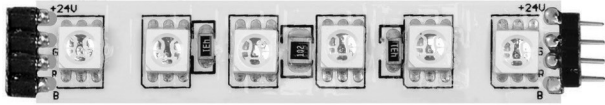
PROJECT		FIXTURE TYPE		DATE	
---------	--	--------------	--	------	--

SOFT STRIP, RGB

24VDC WITH PIN CONNECTORS & SOLDERED LEADS

DESIGNED BY GREGORY KAY | ASSEMBLED IN AMERICA

REV 07.09.25



DESCRIPTION

PureEdge RGB Soft Strip provides dynamic color effects with red, green and blue LEDs. Our color-changing LED strip provides bright, continuous light offered in two wattage options of 3 or 5 watts per foot. PureEdge's focus on chromacity quality provides a balanced output across the color gamut, allowing the creation of millions of beautiful colors. The flexible strip is sold in 1 foot increments. RGB Soft Strip can be controlled using a compatible 24 volt DC power supply with an integrated RGB DMX driver. Includes a flexible aluminum heat sink to extend LED life. Both Stomp Strip and Soft Strip are used for our **DIY** (Do-it-Yourself) fixtures and systems.

SPECIFICATIONS

- 24VDC, Class 2
- Power Consumption: 2.6 or 5 watts per foot
- Maximum Lengths Before Re-feeding: SS3- 36', SS5- 20'
- Sold in 1' increments
- Field-cuttable in increments: SS3- 4" SS5- 2.4"
- Operating temperature: -22°F to 140°F (-30°C to 60°C)

MAXIMUM LENGTHS BEFORE RE-FEEDING

SS3, 2.6 watts per foot - 36'
 SS5, 5 watts per foot - 20'

MOUNTING

Self-adhering Soft Strip mounts to most smooth finished surfaces with industrial strength 3M tape (provided on back of strip); some unfinished surfaces may require screw-in mounting clips **SS-MCL** (sold separately).

LAMP

- RGB: Dynamic Red, Green, and Blue
- Wattage options: 3 or 5 watts
- 50,000 Hour Lamp Life

ACCESSORIES (SOLD SEPARATELY)

- 24VDC Power Connectors and Jumpers
- Flexible Connectors
- Mounting Straps & Clips

REMOTE POWER SUPPLIES*, DIMMING & CONTROLS (SOLD SEPARATELY)

24VDC, Class 2 wiring

- [DMX & Controls](#)
- [DALI/DALI-2](#)

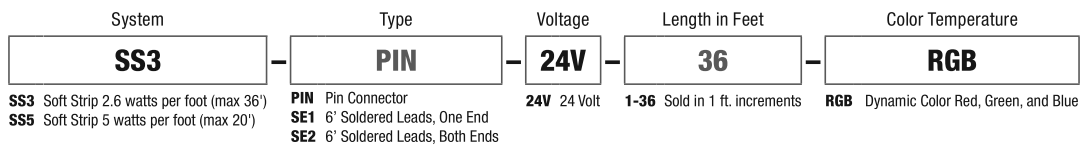
*In-Wall Mounting and drop ceiling Kits available for select power supplies

APPLICATIONS

Designed for any Indoor space, including Damp locations. Ideal applications in Residential, Commercial, Retail, and Hospitality environments.

APPROVALS

Damp Location, Class 2 wiring, ETL Listed



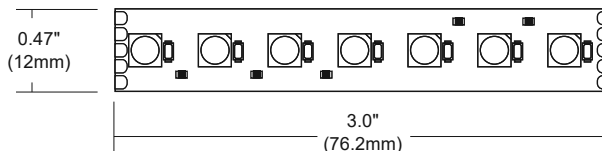
PROJECT		FIXTURE TYPE		DATE	
---------	--	--------------	--	------	--

SOFT STRIP, RGB+ WHITE

24VDC WITH PIN CONNECTORS & SOLDERED LEADS

DESIGNED BY GREGORY KAY | ASSEMBLED IN AMERICA

REV 07.09.25



DESCRIPTION

PureEdge's RGB+White Soft Strip (**SS6**) provides dynamic color effects with red, green, blue plus white. Now offered with four choices of White; 2000K and special order in 2700K, 3000K, and 4000K. Our color-changing LED strip provides bright, continuous light, our focus on chromacity quality provides a balanced output across the color gamut, allowing the creation of millions of beautiful colors and pure white. The flexible strip is sold in 1 foot increments up to 16 ft with cutting increments every 3 inches. At 6.3 watts per foot, RGB+W can be controlled using a compatible 24 volt DC power supply with an integrated RGB DMX driver. SS6 includes a flexible aluminum heat sink to extend LED life. Includes 5 year pro-rated warranty.

SPECIFICATIONS

- 24VDC, Class 2
- Power Consumption: 6.3 watts per foot
- Maximum length before re-feeding: 16'
- Sold in 1' increments
- Field-cuttable in 3" increments
- Operating temperature: -22°F to 140°F (-30°C to 60°C)

MOUNTING

Self-adhering SS6 mounts to most smooth finished surfaces with industrial strength 3M tape (provided on back of strip); some unfinished surfaces may require screw-in mounting clips **SS-MCL** (sold separately).

LAMP

- RGB+W: Dynamic Red, Green, Blue plus 2000K White
- Special order in 2700K, 3000K, and 4000K
- 50,000 Hour Lamp Life

REMOTE POWER SUPPLIES*, DIMMING & CONTROLS (SOLD SEPARATELY)

24VDC, CLASS 2 WIRING

- [DMX & Controls](#)
- [DALI/DALI-2](#)

*In-Wall Mounting and drop ceiling Kits available for select power supplies

ACCESSORIES (SOLD SEPARATELY)

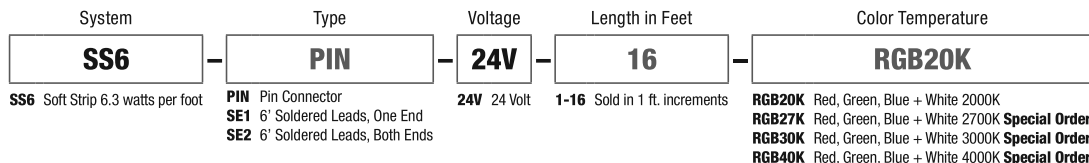
- 24VDC Power Connectors and Jumpers
- Flexible Connectors
- Mounting Straps & Clips

APPLICATIONS

Designed for any Indoor space, including Damp locations. Ideal applications in Residential, Commercial, Retail, and Hospitality environments.

APPROVALS

Damp Location, Class 2 wiring, ETL Listed



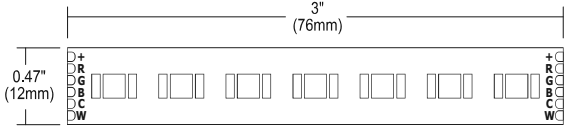
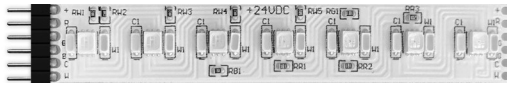
PROJECT		FIXTURE TYPE		DATE	
---------	--	--------------	--	------	--

TRUCOLOR™ RGB & TUNABLE WHITE LED STRIP

24VDC WITH PIN CONNECTORS & SOLDERED LEADS

DESIGNED BY GREGORY KAY | ASSEMBLED IN AMERICA | PATENT PENDING

REV 07.09.25



DESCRIPTION

PureEdge Pure Smart **TruColor™** technology uses five channels of tunable LEDs, composed of **RGBTW** red, blue, green, and Tunable White (**1500K-6500K**). With our precision-engineered, proprietary color mixing, we produce one of the widest, most accurate spectrums available, giving our customers access to the warm glow of the sunset (1500K-2400K golden hour) to the pure white light of the mid-day sun (5700K) and everything in between. **TruColor™** LED's achieve an average CRI-Color Rendering Index of 94+ and a Duv of +/-0.0021 in relation to the blackbody curve at any point on the spectrum of tunable white CCT. Dynamic Color Changing functionality provides millions of possibilities for intricate customization, rich saturated or secondary colors, and unprecedented ease of installation, making **RGBTW** the ideal choice for residential and commercial applications. **TruColor™ RGBTW** adds more than just decorative flexibility; it also helps to support a healthy Circadian Rhythm and well-being. Let **TruColor™** transform your space and the people within it. 24VDC Remote Power Supplies required.

FEATURES & BENEFITS

- State-of-the-Art TruColor™ (1500K-6500K) spectrum offers dynamic effects with RGB and Tunable White
- Optimized for use with WIZ Pro wire control ecosystem and Pure Smart Wi-Fi Room Controller.
- Offered with pin connectors reducing time and labor during installation
- Dims from full brightness down to 5%, and tuned anywhere from 1500K to 6500K.
- Developed to meet popular demand for resilient performance without sacrificing output, color rendering, CCT range, spectrum accuracy, or efficacy.
- Tolerance: Created to resist damage in rigorous environments such as busy commercial jobsites
- Compact LED spacing: Produces uniform light distribution without visible diodes or hot spots when used within a diffused lens
- Three 1 oz Layers of Copper Busbar per foot provides superior heat dissipation and less voltage drop equivalent to 14AWG wire
- Premium Coating: Optically Clear Silicone prevents fading over time
- Mounting: Industrial 3M tape lined strip for strong, self-adhesion to most smooth, finished surfaces
- Warranty: Includes a 5-year pro-rated warranty

LUMEN PERFORMANCE

- **TruColor™ RGBTW** Red, Green, and Blue with Tunable White (**1500K-6500K**)
- S5W5 360lm/ft 5W @3000K
- S5W7 526m/ft 7W @3000K
- S5W10 622lm/ft 10W @3000K
- Average Life: 50,000 hours

AVERAGE PERFORMANCE 2000K-5500K

- Average CRI: 97+
- Average DUV: +/-0.0002
- Average R9: 91, Rg: 103, Rf: 93

SPECIFICATIONS

- 24VDC
- S5W5: 5W RGB & 5W Tunable White
- S5W7: 5W RGB & 7W Tunable White
- S5W10: 5W RGB & 10W Tunable White
- Sold in 1' increments
- Field-cuttable in 3" increments
- Operating temperature: -22°F to 140°F (-30°C to 60°C)

MAXIMUM LENGTHS BEFORE RE-FEEDING

- S5W5 – **Pure Smart™ WIZ Pro**: 20 ft
- S5W7 – **Pure Smart™ WIZ Pro**: 12 ft
- S5W10 – **Pure Smart™ WIZ Pro**: 10 ft

REMOTE POWER SUPPLIES*, DIMMING & CONTROLS (SOLD SEPARATELY)

24VDC, Class 2 wiring

- [Home Integration Solutions](#)
- [Pure Smart™ WIZ Pro Power Supplies](#)
- [Pure Smart™ Wi-Fi Controllers](#)

Features ON/OFF buttons, CCT and brightness control as well as four preset/custom scenes programmable in the WIZ app. Communicates via 2.4GHz Wi-Fi. No Hub needed. Voice control with Google Assistant, Alexa, Siri, Shortcuts, and IFTTT

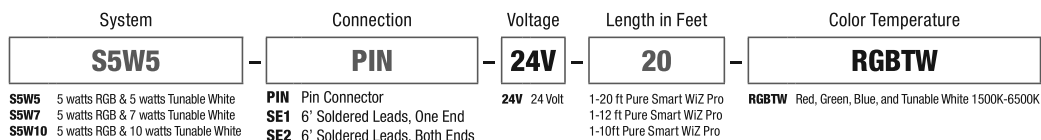
APPLICATIONS

Designed for indoor use only. Ideal applications for residential, commercial, hospitality environments, and general human centric lighting.

APPROVALS

Class 2 Wiring up to 100 watts, Indoor Damp Location, ETL listed, RoHS.

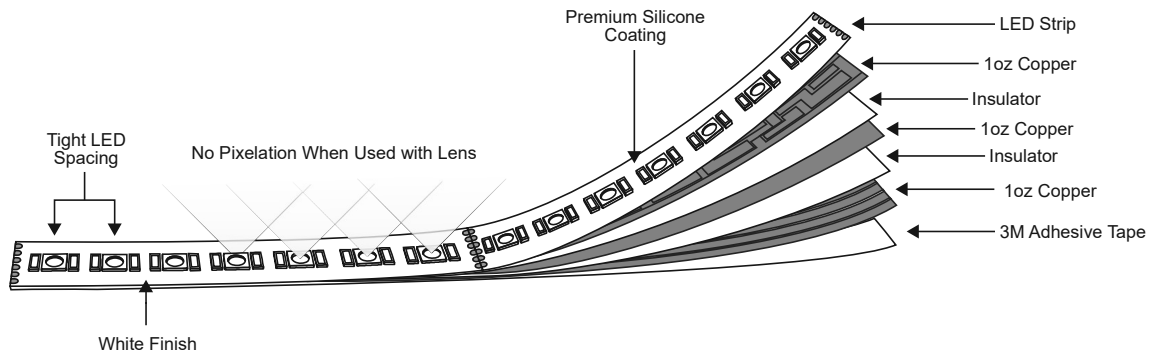
DESCRIPTION	S5W5 5W RGB & 5W TUNABLE WHITE								S5W7 5W RGB & 7W TUNABLE WHITE								S5W10 5W RGB & 10W TUNABLE WHITE										
	5W Maximum								7W Maximum								10W Maximum										
WATTS PER FOOT	20K	22K	24K	27K	30K	35K	40K	57K	65K	20K	22K	24K	27K	30K	35K	40K	57K	65K	20K	22K	24K	27K	30K	35K	40K	57K	65K
COLOR TEMPERATURE	20K	22K	24K	27K	30K	35K	40K	57K	65K	20K	22K	24K	27K	30K	35K	40K	57K	65K	20K	22K	24K	27K	30K	35K	40K	57K	65K
LUMENS PER FOOT (lm/ft)	171	256	311	349	360	380	410	288	265	211	352	452	513	526	554	543	319	289	224	359	482	566	622	667	649	365	331
LUMENS PER WATT (lm/w)	63	56	71	82	85	87	98	98	111	63	91	73	86	86	90	93	92	96	64	45	61	73	79	86	78	100	114
CRI	92	94	95	95	96	97	97	92	90	93	95	96	97	97	98	97	95	93	93	95	96	97	97	98	97	93	92
Duv	-0.004	-0.0012	-0.0034	-0.0058	-0.0055	-0.0033	-0.0014	-0.0049	-0.0063	-0.003	0.0002	0.003	0.003	0.003	0.0009	0	0.003	0.003	-0.0028	-0.0005	-0.0022	-0.0035	-0.003	-0.0011	-0.0001	-0.0038	-0.0048
Rf	91	93	94	94	95	94	94	92	90	92	93	95	95	95	95	94	92	91	92	93	95	95	95	95	94	92	91
Rg	105	101	103	105	104	102	100	102	103	104	100	102	103	103	101	100	102	103	104	100	103	104	103	102	100	102	103
R9	90	90	90	94	97	97	91	81	70	91	90	90	94	95	93	93	79	67	91	90	90	94	95	93	90	79	69
R13	92	94	95	95	94	96	99	90	87	92	95	96	96	97	99	99	91	88	92	94	96	96	97	100	99	92	89
R15	99	99	99	98	97	97	97	89	85	99	99	99	99	99	98	97	90	85	99	99	99	99	99	99	98	97	90
WIZ PRO WATTS/FOOT	2.7	4.55	4.35	4.25	4.25	4.35	4.2	2.95	2.4	3.35	3.85	6.15	5.95	6.15	6.15	5.84	3.45	3	3.5	8	7.9	7.7	7.85	7.8	8.3	3.65	2.9



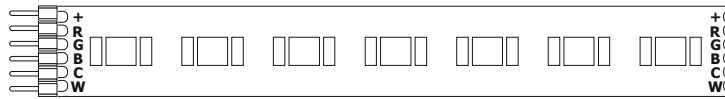
PROJECT	FIXTURE TYPE	DATE
---------	--------------	------

TRUCOLOR™ RGB & TUNABLE WHITE LED STRIP

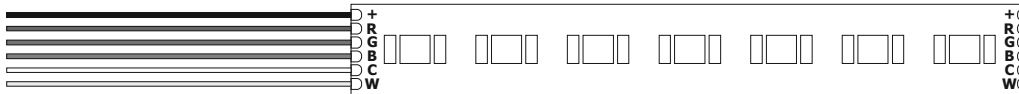
24VDC WITH PIN CONNECTORS



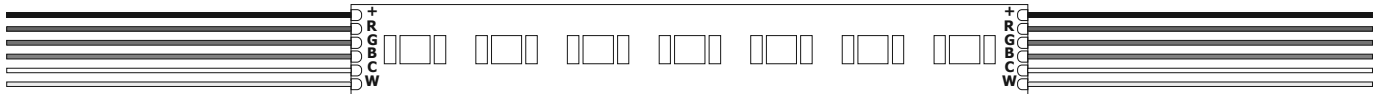
PIN CONNECTOR



6' SOLDERED LEAD, 1 END (SE1)



6' SOLDERED LEAD, 2 ENDS (SE2)



S5W5 WATTS PER FOOT				
LENGTH IN FEET	RGB Wattage	Tunable White Wattage	Pure Smart™ WiZ Pro Wattage	DMX Wattage
1	5	5	5	10
2	10	10	10	20
3	15	15	15	30
4	20	20	20	40
5	25	25	25	50
6	30	30	30	60
7	35	35	35	70
8	40	40	40	80
9	45	45	45	90
10	50	50	50	100
11	55	55	55	
12	60	60	60	
13	65	65	65	
14	70	70	70	
15	75	75	75	
16	80	80	80	
17	85	85	85	
18	90	90	90	
19	95	95	95	
20	100	100	100	

S5W7 WATTS PER FOOT			
LENGTH IN FEET	RGB Wattage	Tunable White Wattage	Pure Smart™ WiZ Pro Wattage
1	5	7	7
2	10	14	14
3	15	21	21
4	20	28	28
5	25	35	35
6	30	42	42
7	35	49	49
8	40	56	56
9	45	63	63
10	50	70	70
11	55	77	77
12	60	84	84

S5W10 WATTS PER FOOT			
Length In Feet	RGB Wattage	Tunable White Wattage	WiZ Pro Wattage
1	5	10	10
2	10	20	20
3	15	30	30
4	20	40	40
5	25	50	50
6	30	60	60
7	35	70	70
8	40	80	80
9	45	90	90
10	50	100	100

PROJECT	FIXTURE TYPE	DATE
---------	--------------	------

SOFT STRIP, MONOCHROMATIC COLOR

24VDC WITH PIN CONNECTORS & SOLDERED LEADS

DESIGNED BY GREGORY KAY | ASSEMBLED IN AMERICA | PATENT PENDING

REV 07.09.25



RRR - Red



BBB - Blue



AAA - Amber



GGG - Green

4"
(10.16cm)

DESCRIPTION

PureEdge Monochromatic Color Soft Strip provides dynamic color effects with monochromatic color LEDs. Offered in Red, Amber, Blue, and Green. The 1/2" wide flexible copper strip, with an optically clear protective coating, is sold in 1ft increments up to 36 ft with cutting increments every 4 inches. Self-adhering, our strip mounts to most smooth finished surfaces with the industrial strength 3M tape on the back. Our Soft Strip is used for our **DIY** (Do-it-Yourself) fixtures and systems. Includes 5 year warranty.

SPECIFICATIONS

- 24VDC, Class 2
- Power Consumption: 2.6 or 5 watts per foot
- Sold in 1' increments
- Field-cuttable in 4" increments
- Operating temperature: -22°F to 140°F (-30°C to 60°C)

MOUNTING

Industrial 3M tape lines back of strip for self-adhesion to most smooth finished surfaces. Additional Connectors, Mounting Straps, and Clips may be needed for some applications (sold separately).

ACCESSORIES (SOLD SEPARATELY)

- 24VDC Power Connectors and Jumpers
- Flexible Connectors
- Mounting Straps & Clips

LAMP

- Monochromatic Red, Amber, Blue, and Green
- 18 LEDs per foot
- 50,000 Hour Lamp Life

MAXIMUM LENGTHS BEFORE RE-FEEDING

- 3WDC, 2.6 watts per foot - 36'
- 5WDC, 5 watts per foot - 20'

REMOTE POWER SUPPLIES*, DIMMING & CONTROLS (SOLD SEPARATELY)

24VDC, Class 2 wiring

- Pure Smart™ WIZ Pro [Power Supplies & Controls](#)
- [UNI Driver: Universal Dimming \(ELV, TRIAC, 0-10V\)](#)
- [ELV & TRIAC Smart Dimmer & Switch](#)
- [Lutron Hi-Lume/Ecosystem](#)
- [DALI/ DALI 2](#)

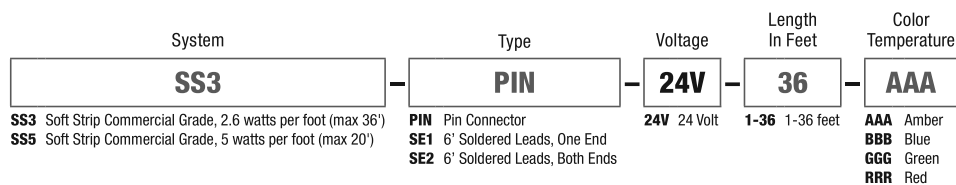
*In-Wall Mounting Kits available for select power supplies

APPLICATIONS

Indoor and damp locations. Applications include coves, toe-kicks, under cabinets and shelving, bookcases, drawers, pathways, accent lighting, task lighting, and general illumination.

APPROVALS

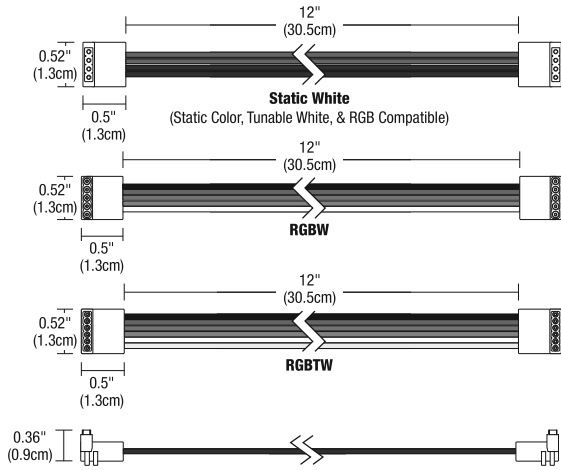
Class 2 Wiring up to 100 watts, Damp Location Suitable, ETL listed.



PROJECT		FIXTURE TYPE		DATE	
---------	--	--------------	--	------	--

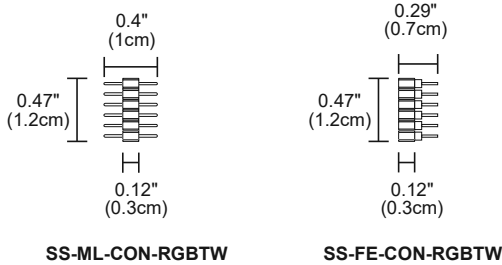
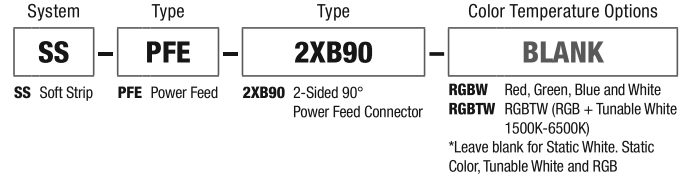
REVEAL WALL WASH 2 DIY

24VDC, PLASTER-IN LED SYSTEM



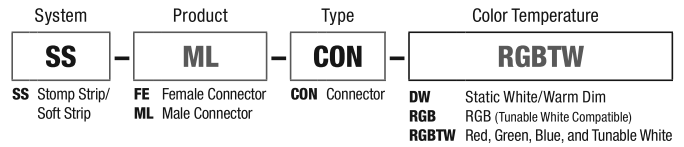
2XB90 CONNECTORS

Dual ended 90° connector. Included with end power component, the ordering code below is to be used for replacement purposes only.



PIN CONNECTORS

Extra soldering pin connectors. Male and female.



PROJECT		FIXTURE TYPE		DATE	
---------	--	--------------	--	------	--

REVEAL WALL WASH 2 DIY

24VDC, PLASTER-IN LED SYSTEM

2.5 WATTS PER FOOT

LENGTH IN FEET	WATTS	LENGTH IN FEET	WATTS	LENGTH IN FEET	WATTS	LENGTH IN FEET	WATTS
1	3	11	27	21	51	31	75
2	5	12	29	22	54	32	78
3	8	13	32	23	56	33	80
4	10	14	34	24	58	34	82
5	13	15	37	25	61	35	85
6	15	16	39	26	63	36	87
7	17	17	41	27	66	37	90
8	20	18	44	28	68	38	92
9	22	19	46	29	70	39	94
10	24	20	48	30	72	40	96

5 WATTS PER FOOT

LENGTH IN FEET	WATTS	LENGTH IN FEET	WATTS	LENGTH IN FEET	WATTS	LENGTH IN FEET	WATTS
1	5	6	30	11	54	16	78
2	10	7	34	12	58	17	82
3	16	8	40	13	64	18	88
4	20	9	44	14	68	19	92
5	24	10	48	15	72	20	96

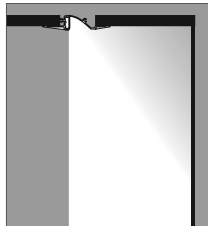
6 WATTS PER FOOT

LENGTH IN FEET	WATTS	LENGTH IN FEET	WATTS	LENGTH IN FEET	WATTS	LENGTH IN FEET	WATTS
1	6	5	30	9	54	13	78
2	12	6	36	10	60	14	84
3	18	7	42	11	66	15	90
4	24	8	48	12	72	16	96

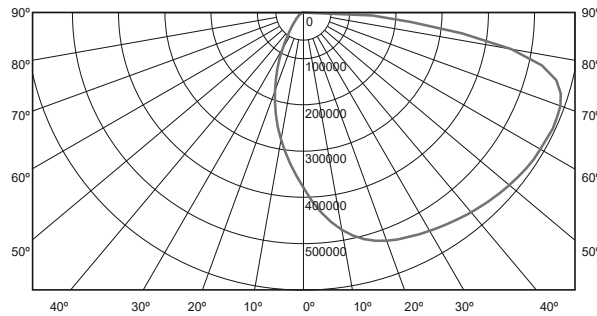
7 WATTS PER FOOT

LENGTH IN FEET	WATTS	LENGTH IN FEET	WATTS	LENGTH IN FEET	WATTS	LENGTH IN FEET	WATTS
1	7.5	4	30	7	52.5	10	75
2	15	5	37.5	8	60	11	82.5
3	22.5	6	45	9	67.5	12	90

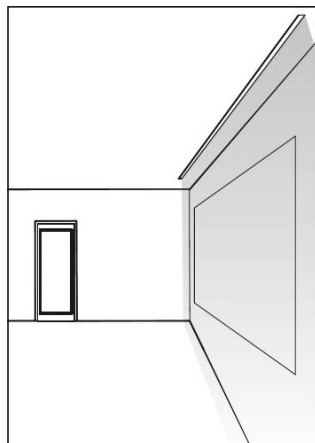
DIRECTION OF LIGHT



CANDLE POWER DISTRIBUTION



WALL WASH DIRECTION OF LIGHT SHOWN WITH 10 WATT, 3000K VERSION



FIXTURE MOUNTED 24" FROM WALL

	1'	2.5'	4'	5.5'	7'
1"	50	50	53	53	43
3"	90	90	104	97	81
6"	113	136	140	137	116
1'	122	138	140	137	113
18"	115	128	128	120	100
2'	100	113	113	109	86
3'	76	89	90	83	67
4'	62	72	70	68	56
5'	50	58	59	55	46
6'	41	46	47	44	38
7'	34	37	38	35	31
8'	27	30	30	30	26
9'	23	25	25	25	21

9' is the ground

PROJECT		FIXTURE TYPE		DATE	
---------	--	--------------	--	------	--

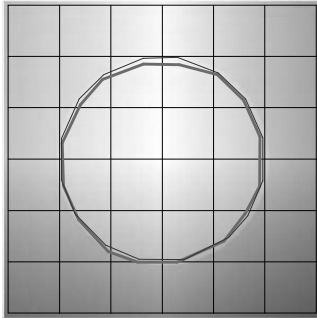
TM30 DATA

24VDC, PLASTER-IN LED SYSTEM

TM-30-15 DATA: The data below is for bare LED Static White Strip. Consistent color temperatures throughout a single strip and among multiple strips is possible through a 3 phase binning process in which each order is inspected with a color meter to ensure uniformity.

2400K | Rf: 84.5 | Rg: 94.4

Color Vector Graphic

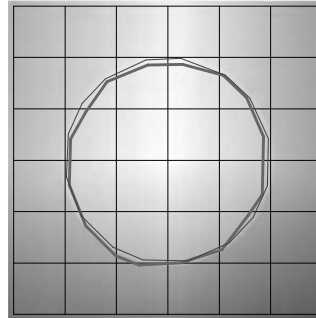


■ Test ■ Reference

HUE BIN	Rf	GRAPHIC SHIFTS %	
		CHROMA	HUE
1	92	-2.4%	1.5%
2	94.7	-2.1%	-0.0%
3	95.4	-1.9%	-0.1%
4	88.7	-6.7%	-3.1%
5	92.8	-5.6%	1.0%
6	92.7	-3.4%	3.4%
7	89.9	-4.3%	4.1%
8	92.4	-1.4%	4.4%
9	89	-0.6%	5.8%
10	88.9	0.4%	6.2%
11	89.7	4.0%	5.4%
12	92.6	3.0%	-0.7%
13	90.9	1.1%	-7.0%
14	89.9	0.5%	-5.8%
15	92.1	-3.2%	0.1%
16	88.9	-1.7%	-6.3%

2700K | Rf: 87.7 | Rg: 96.1

Color Vector Graphic

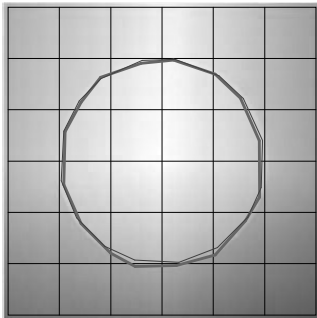


■ Test ■ Reference

HUE BIN	Rf	GRAPHIC SHIFTS %	
		CHROMA	HUE
1	88.0	-4.3%	2.6%
2	91.6	-2.4%	2.0%
3	93.7	-1.4%	1.9%
4	88.9	-5.6%	-3.1%
5	92.3	-5.5%	-0.5%
6	92.9	-3.5%	0.1%
7	84.5	-7.5%	4.6%
8	90.8	-3.0%	4.4%
9	84.5	-1.3%	8.3%
10	83.9	2.0%	9.8%
11	87.2	5.3%	7.1%
12	89.2	5.4%	-2.6%
13	88.7	0.3%	-7.8%
14	86.8	1.7%	-9.3%
15	87.6	-5.4%	-1.3%
16	83.6	-3.3%	-9.5%

3000K | Rf: 88.1 | Rg: 99.7

Color Vector Graphic

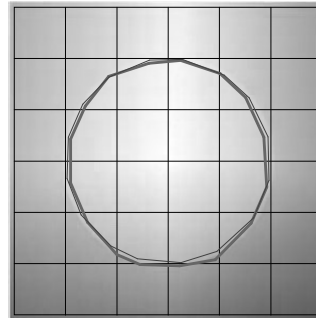


■ Test ■ Reference

HUE BIN	Rf	GRAPHIC SHIFTS %	
		CHROMA	HUE
1	92.5	-3.1%	0.3%
2	93.3	-2.3%	1.9%
3	90.9	-0.8%	3.9%
4	94.3	-1.1%	1.4%
5	92.5	-2.6%	1.5%
6	96.4	1.2%	-0.3%
7	92.6	-2.5%	-0.0%
8	96.9	-1.4%	0.2%
9	92.3	-1.8%	4.3%
10	86.6	-0.7%	7.0%
11	86.5	2.4%	8.2%
12	89.8	5.9%	1.7%
13	93.9	2.6%	-2.7%
14	89.4	5.1%	-5.8%
15	90.1	-0.1%	-4.7%
16	86.5	0.3%	-9.7%

3500K | Rf: 86.1 | Rg: 95.5

Color Vector Graphic

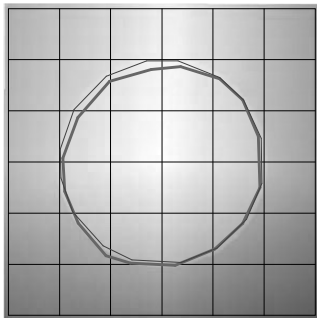


■ Test ■ Reference

HUE BIN	Rf	GRAPHIC SHIFTS %	
		CHROMA	HUE
1	90.8	-3.8%	0.3%
2	92.3	-2.8%	2.1%
3	89.7	-1.0%	4.3%
4	92.6	-1.4%	1.7%
5	91.8	-3.1%	1.3%
6	96.2	0.8%	-0.4%
7	92.9	-3.2%	0.2%
8	94.3	-2.5%	1.5%
9	90.4	-2.5%	5.2%
10	84.3	-1.4%	9.5%
11	83.1	3.5%	9.8%
12	88.2	4.8%	3.4%
13	94.0	2.7%	-2.0%
14	88.7	5.9%	-5.8%
15	88.7	0.7%	-5.9%
16	86.8	-0.7%	-6.7%

4000K | Rf: 87.6 | Rg: 96.8

Color Vector Graphic



■ Test ■ Reference

HUE BIN	Rf	GRAPHIC SHIFTS %	
		CHROMA	HUE
1	88.9	-2.4%	2.5%
2	93.3	-0.4%	0.8%
3	94.8	-1.0%	-0.6%
4	87.9	-4.9%	-3.6%
5	85.3	-9.4%	-2.6%
6	90.2	-6.0%	0.2%
7	85.3	-7.6%	4.6%
8	83.7	-4.1%	8.2%
9	79.5	-1.1%	13.8%
10	78.6	1.5%	12.1%
11	83.5	6.4%	7.8%
12	90.9	3.6%	-1.1%
13	88.3	1.7%	-6.3%
14	91.9	-0.4%	-2.2%
15	84.5	-0.9%	-5.5%
16	84.7	-1.1%	-4.4%

PROJECT		FIXTURE TYPE		DATE	
---------	--	--------------	--	------	--

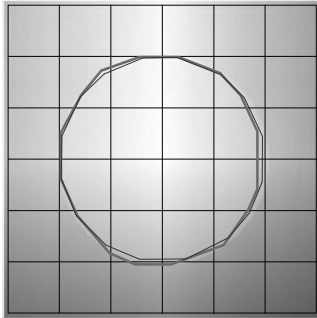
TM30 DATA

24VDC, PLASTER-IN LED SYSTEM

TM-30-15 DATA: The data below is for bare LED Warm Dim Strip. Consistent color temperatures throughout a single strip and among multiple strips is possible through a 3 phase binning process in which each order is inspected with a color meter to ensure uniformity.

2700D | Rf: 90.7 | Rg: 101.1

Color Vector Graphic

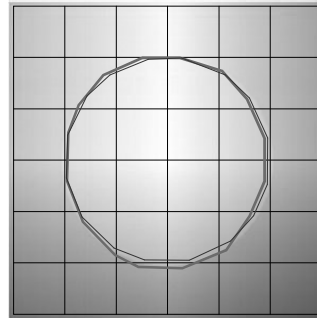


■ Test ■ Reference

HUE BIN	Rf	GRAPHIC SHIFTS %	
		CHROMA	HUE
1	90.9	-4.1%	1.1%
2	91.8	-2.2%	3.2%
3	89.0	0.2%	5.0%
4	92.9	-1.1%	0.8%
5	93.9	1.1%	1.7%
6	93.3	3.3%	0.0%
7	93.1	-0.5%	-1.9%
8	97.2	-0.3%	-0.9%
9	93.4	-1.0%	3.2%
10	89.9	-0.1%	5.6%
11	87.0	4.7%	7.2%
12	89.2	5.8%	-0.2%
13	89.1	3.5%	-6.7%
14	86.3	4.1%	-9.2%
15	91.4	-2.0%	-3.6%
16	84.7	-2.1%	-10.3%

3000D | Rf: 90.6 | Rg: 101.1

Color Vector Graphic



■ Test ■ Reference

HUE BIN	Rf	GRAPHIC SHIFTS %	
		CHROMA	HUE
1	91.5	-3.5%	1.3%
2	92.2	-1.8%	3.0%
3	89.3	0.5%	4.8%
4	92.7	-1.1%	0.6%
5	93.3	0.5%	1.4%
6	93.8	2.7%	-0.8%
7	91.2	-2.1%	-0.2%
8	97.0	-0.5%	-0.7%
9	92.5	-0.7%	3.8%
10	88.3	0.9%	7.1%
11	87.5	3.9%	7.6%
12	88.2	6.2%	-0.2%
13	89.9	3.4%	-6.0%
14	86.9	4.4%	-8.5%
15	91.9	-1.9%	-2.9%
16	84.7	-1.3%	-10.6%

PROJECT		FIXTURE TYPE		DATE	
---------	--	--------------	--	------	--

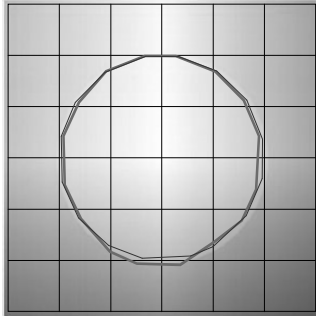
TM30 DATA

24VDC, PLASTER-IN LED SYSTEM

TM-30-15 DATA: The data below is for Tunable White bare LED Strip. Consistent color temperatures throughout a single strip and among multiple strips is possible through a 3 phase binning process in which each order is inspected with a color meter to ensure uniformity.

2000K ONLY (2K6K/27K6) | Rf: 90.6 | Rg: 98.5

Color Vector Graphic

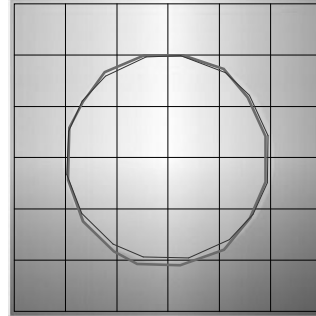


■ Test ■ Reference

HUE BIN	Rf	GRAPHIC SHIFTS %	
		CHROMA	HUE
1	87.7	-5.5%	1.2%
2	88.7	-3.9%	4.2%
3	90.5	-1.5%	4.3%
4	95.0	-1.7%	0.8%
5	95.2	-0.2%	2.1%
6	94.2	1.6%	1.9%
7	95.9	-0.8%	-2.2%
8	95.5	-1.7%	1.3%
9	93.8	-1.4	2.6%
10	91.9	-0.7%	4.2%
11	91.3	3.6%	3.7%
12	91.2	4.2%	-1.0%
13	86.6	3.8%	-12.7%
14	67.2	-3.0%	-16.3%
15	84.9	-3.3%	-9.4%
16	84.2	-5.7%	-7.5%

3000K (2K6K/27K6) | Rf: 90.5 | Rg: 100.7

Color Vector Graphic

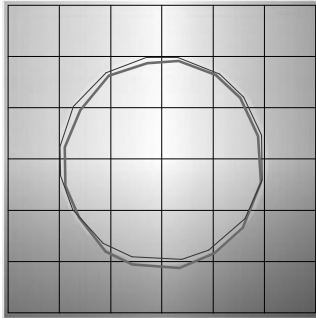


■ Test ■ Reference

HUE BIN	Rf	GRAPHIC SHIFTS %	
		CHROMA	HUE
1	91.5	-3.5%	1.2%
2	92.4	-1.8%	2.7%
3	89.8	0.3%	4.5%
4	92.4	-1.7%	0.4%
5	93.3	-0.1%	1.4%
6	94.5	2.1%	-0.6%
7	91.0	-2.5%	0.3%
8	96.9	-0.8%	-0.2%
9	91.6	-0.9%	4.6%
10	86.7	0.7%	7.8%
11	86.3	3.8%	8.5%
12	88.3	6.1%	0.6%
13	90.9	3.1%	-5.2%
14	87.3	4.7%	-7.9%
15	92.1	-1.9%	-2.5%
16	84.5	-0.9%	-10.9%

4000K ONLY (2K6K/27K6) | Rf: 86.4 | Rg: 96.1

Color Vector Graphic



■ Test ■ Reference

HUE BIN	Rf	GRAPHIC SHIFTS %	
		CHROMA	HUE
1	86.5	-5.5%	1.3%
2	90.4	-3.0%	2.3%
3	89.8	-2.1%	3.6%
4	89.1	-3.4%	0.4%
5	88.5	-5.9%	0.1%
6	93.6	-3.0%	-0.4%
7	88.9	-6.2%	1.7%
8	87.3	-5.0%	4.9%
9	82.4	-3.6%	11.3%
10	77.4	-1.8%	12.7%
11	79.8	4.9%	11.4%
12	88.7	4.4%	2.7%
13	88.7	4.0%	-5.1%
14	91.2	2.2%	-3.8%
15	82.7	-0.1%	-9.2%
16	82.8	-2.2%	-7.6%

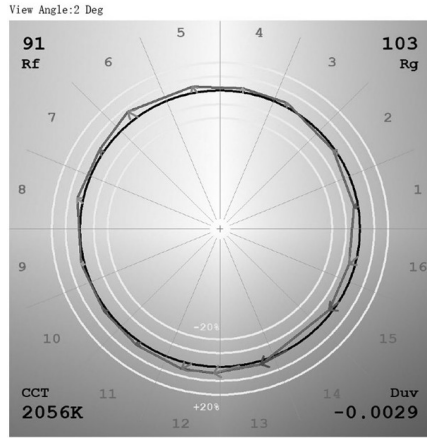
PROJECT		FIXTURE TYPE		DATE	
---------	--	--------------	--	------	--

TM30 DATA

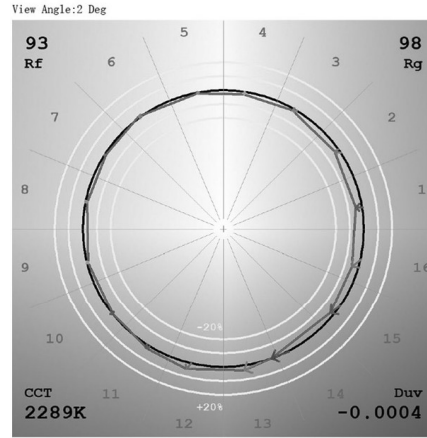
24VDC, PLASTER-IN LED SYSTEM

TM-30-15 DATA: The data below is for TruColor™ RGBTW (S5W7) bare LED Strips. Consistent color temperatures throughout a single strip and among multiple strips is possible through a 3 phase binning process in which each order is inspected with a color meter to ensure uniformity.

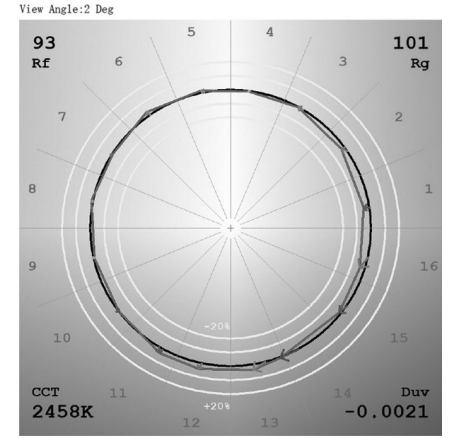
2000K (TruColor™ RGBTW)



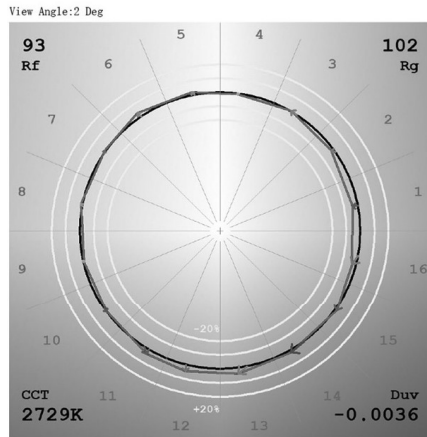
2200K (TruColor™ RGBTW)



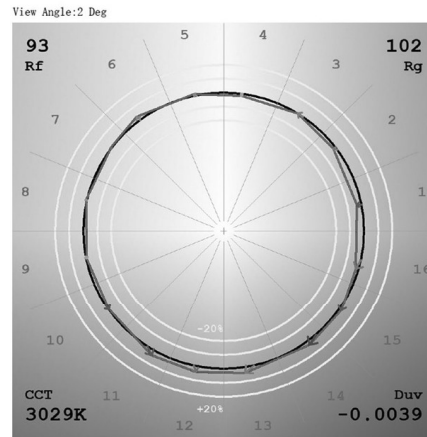
2400K (TruColor™ RGBTW)



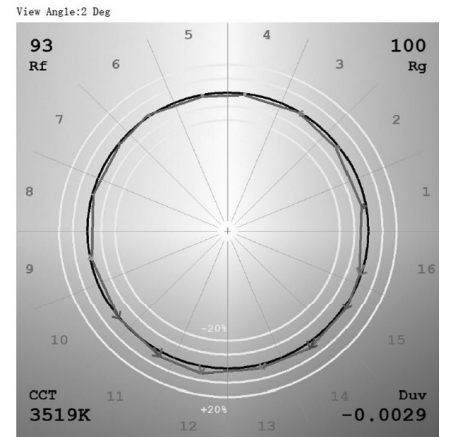
2700K (TruColor™ RGBTW)



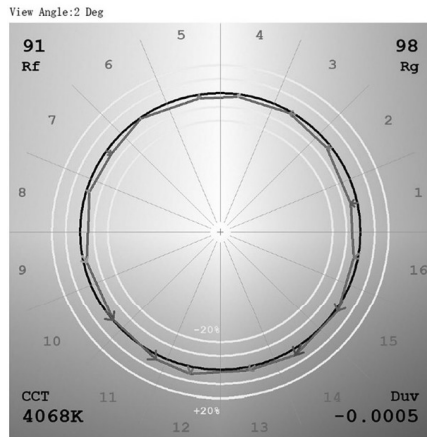
3000K (TruColor™ RGBTW)



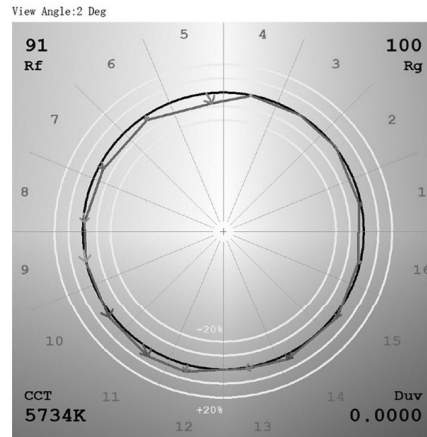
3500K (TruColor™ RGBTW)



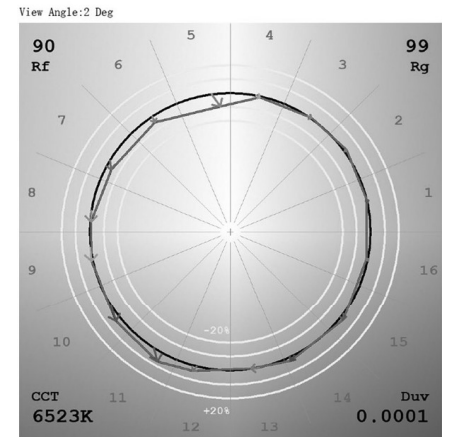
4000K (TruColor™ RGBTW)



5700K (TruColor™ RGBTW)



6500K (TruColor™ RGBTW)



PROJECT		FIXTURE TYPE		DATE	
---------	--	--------------	--	------	--