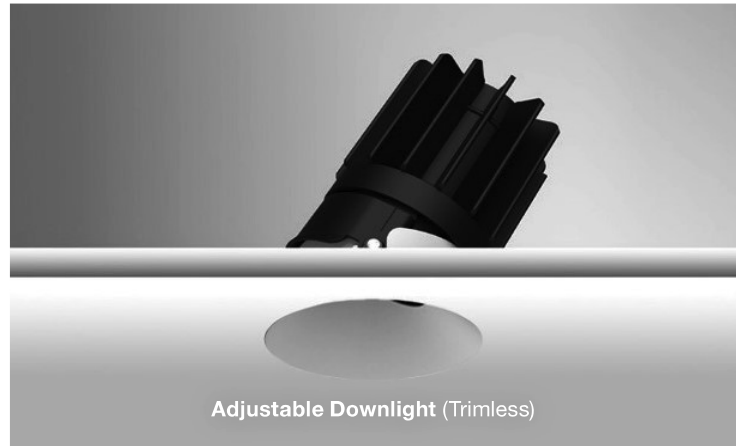
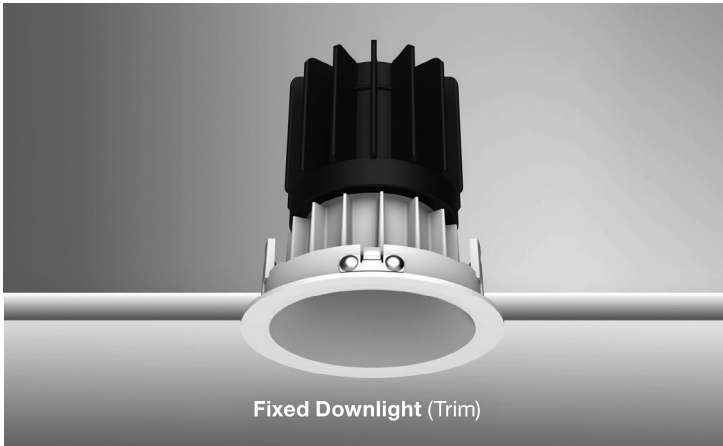


LUCA 2.7" WARM DIM

120V-277V, RECESSED FIXED & ADJUSTABLE DOWNLIGHTS



DESCRIPTION

Introducing the Luca 2.7 "The Bringer of Light" Downlight Series—a beacon of innovation in lighting technology. Designed for high-performance, these downlights are crafted to enhance hospitality, retail, commercial, and luxury residential environments. Featuring precision optics, the Luca downlights deliver a beam that reaches the very top of the wall, creating an elegant wash of light. With a Color Rendering Index (CRI) surpassing 90, these lights ensure exceptional color accuracy, making them an ideal choice for spaces where ambiance and visual clarity are paramount.

The Luca Downlight series delivers captivating illumination across a wide spectrum, creating a visually engaging experience within any space. With its extensive range of design and installation options, our Luca 2.7 Downlight is versatile for a wide array of new construction and remodel applications. Moreover, the compact form factor of the Luca 2.7 allows for installation in spaces with limited clearance.

Discover a new era of lighting performance and versatility with the Luca 2.7 Downlight Series, where superior optics, lumen performance, and outstanding color consistency converge to transform a space. For personalized quotes and expert layout assistance, share your drawings and concepts with our design team at design@PureEdgeLighting.com

SPECIFICATIONS

TRIM OPTIONS	Trim, Trimless, Round, Square for Fixed & Adjustable		
FINISH	Reflector: White, Black, Haze Silver (low-glare), Trims: White, Black, Custom		
ADJUSTABLE	30° Tilt, 360° Rotation		
OPTICS	15°, 25°, 30°, 40°, 45°		
WATTAGE	16W	20W	24W
LUMENS @ 3000K, 30°	821 Lm	905 Lm	988 Lm
EFFICACY	51 Lm/W	45 Lm/W	46 Lm/W
CCT	3000K-2000K		
AVERAGE CRI	93+		
INPUT VOLTAGE	120V ELV/TRIAC, 120V-277V & 0-10V & DALI/DMX		
CONSTRUCTION	Housing: Galvanized Steel Heat Sink, Trims and Reflectors: Die-Cast Aluminum		
ACCESSORIES	Clear Glass & Soft Diffusing Film (Included) Linear Spread Glass Lens, Wide Diffused Glass Lens, Double Asymmetric Glass Lens, or Hexcell Louver		

DIMMING	Universal Dimming TRIAC/ELV: 100% – 3% 0-10V: 100% – 0.1% dim to off DALI2: 100% – 0.1% dim to off Pure Smart™ 100% – 5% Pure Smart™ Wi-Fi Dimmer TRIAC/ELV 2.4GHz Wi-Fi. No Hub needed. Voice control with Goggle Assistant, Alexa, Siri, Shortcuts, and IFTTT
CUT OUT SIZE	Round: Ø3", Square: 3"
CEILING THICKNESS	0.5" - 1"
ENVIRONMENT	Suitable for damp locations
CERTIFICATIONS	ETL Listed. Meets Title 24 (JA8) requirements. Down Light Trim - Wet Listed. Adjustable - Damp listed* <small>*Glass Lens to be used in showers and similar environments</small>
AVERAGE LIFE	50,000 Hours
WARRANTY*	5 Years <small>*See published warranty terms for detailed information</small>

NOMINAL LAMP DATA

	LUCA 2.7 STATIC WHITE		
	16W	20W	24W
WATTS PER FOOT	30D	30D	30D
COLOR TEMPERATURE	30D	30D	30D
LUMENS	821	905	988
LUMENS PER WATT (lm/w)	51	45	41
CRI	93	98	98

PROJECT		FIXTURE TYPE		DATE	
---------	--	--------------	--	------	--

LUCA 2.7" WARM DIM

120V-277V, RECESSED FIXED & ADJUSTABLE DOWNLIGHTS

REV 11.06.25

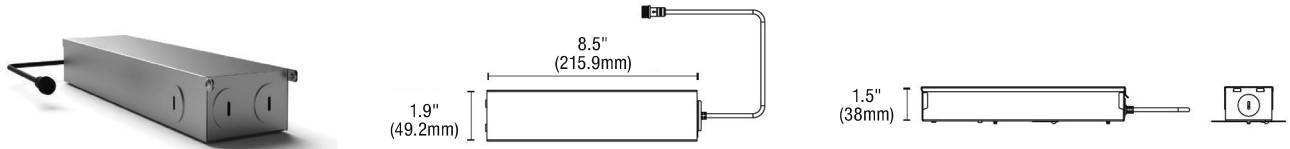
#1 Select LUCA 2.7 Beam, Color Temperature, Trim Options

System	Beam Spread	Color Temperature	Trim Shape	Trim Function	Reflector Finish	Trim Finish
L27	NF	30D	R	D	W	L
L27 Luca 2.7 Light Engine	NS Narrow Spot 15° SP Spot 25° NF Narrow Flood 35° FL Flood 45° *NS: 16 Watt Only	30D 3000K Warm Dim	R Round S Square	D Downlight A Adjustable P* Pinhole/Adjustable	W White H Haze B Black C Custom	W White B Black L Trimless C Custom
				*Only available with black reflector and trimless or white trim		



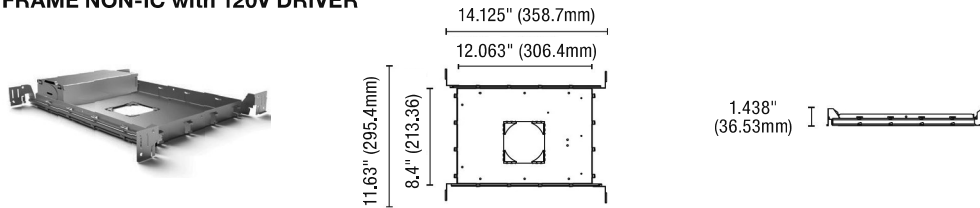
#2 Select Housing & Driver Type

REMODEL NON-IC with 120V DRIVER



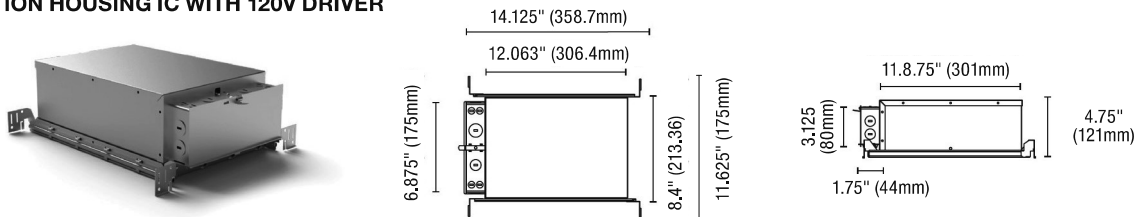
Product	Housing Type	Rating Type	Wattage/Lumens	Dimming
L27	RM	NIC	20W	UN
L27 Luca 2.7 Downlight	RM Remodel	NIC Non-Insulation Contact	16W 16 Watts/821 Lumens 20W 20 Watts/905 Lumens 24W 24 Watts/988 Lumens	UN TRIAC/MLV, ELV 120V Input 01 0-10V 120V/277V Input DA DALI 2 120V/277V Input

NEW CONSTRUCTION FRAME NON-IC with 120V DRIVER



Product	Housing Type	Rating Type	Wattage/Lumens	Dimming
L27	NCF	NIC	20W	UN
L27 Luca 2.7 Downlight	NCF New Construction Frame	NIC Non-Insulation Contact	16W 16 Watts/821 Lumens 20W 20 Watts/905 Lumens 24W 24 Watts/988 Lumens	UN TRIAC/MLV, ELV 120V Input 01 0-10V 120V/277V Input DA DALI 2 120V/277V Input

NEW CONSTRUCTION HOUSING IC WITH 120V DRIVER

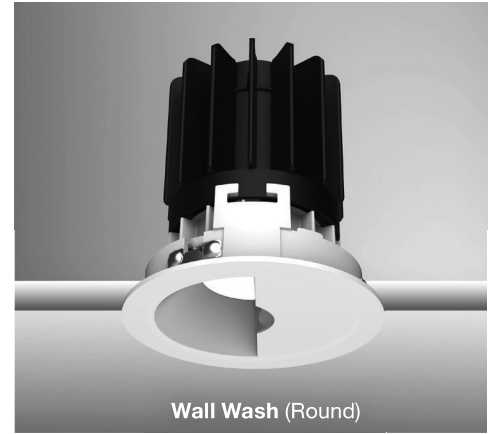
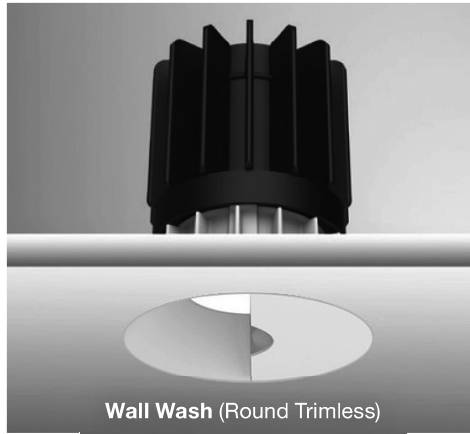
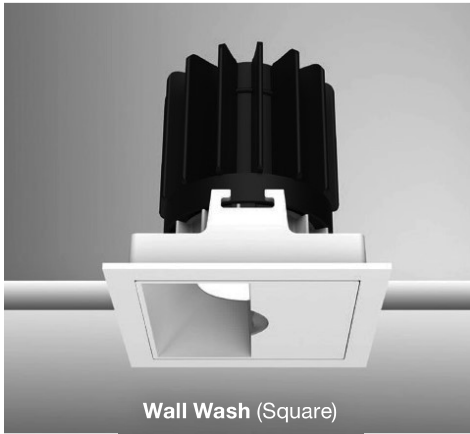


Product	Housing Type	Rating Type	Wattage/Lumens	Dimming
L27	NCH	IC	16W	UN
L27 Luca 2.7 Downlight	NCH New Construction Housing	IC Insulation Contact	16W 16 Watts/629 Lumens	UN TRIAC/MLV, ELV 120V Input 01 0-10V 120V/277V Input DA DALI 2 120V/277V Input

PROJECT		FIXTURE TYPE		DATE	
---------	--	--------------	--	------	--

LUCA 2.7" STATIC WHITE

120V-277V, RECESSED WALL WASH DOWNLIGHTS



DESCRIPTION

Introducing the Luca 2.7 "The Bringer of Light" Wall Wash Downlight Series, a testament to the latest advancements in cutting-edge lighting technology, delivering high performance solutions designed to elevate hospitality, retail, commercial, and discerning residential spaces. Featuring precision optics, the Luca downlights deliver a beam that reaches the very top of the wall, creating an elegant wash of light. With a Color Rendering Index (CRI) surpassing 90, these lights ensure exceptional color accuracy, making them an ideal choice for spaces where ambiance and visual clarity are paramount.

The Luca Wall Wash Downlight series delivers captivating illumination across a wide spectrum, creating a visually engaging experience within any space. With its extensive range of design and installation options, our Luca 2.7 Wall Wash Downlight is versatile for a wide array of new construction and remodel applications. Moreover, the compact form factor of the Luca 2.7 allows for installation in spaces with limited clearance.

Discover a new era of lighting performance and versatility with the Luca 2.7 Downlight Series, where superior optics, lumen performance, and outstanding color consistency converge to transform a space. For personalized quotes and expert layout assistance, share your drawings and concepts with our design team at design@PureEdgeLighting.com

SPECIFICATIONS

TRIM OPTIONS	With Trim, Trimless, Round, Square		
FINISH	Reflector: White, Black, Haze Silver (low-glare), Trims: White, Black, Custom		
BEAM ANGLE	Asymmetrical		
WATTAGE	16W	20W	24W
LUMENS @ 3000K, 30°	820Lm	983Lm	1100Lm
EFFICACY	51Lm/W	55Lm/W	46Lm/W
CCT	2400K, 2700K, 3000K, 3500K & 4000K		
AVERAGE CRI	90+		
INPUT VOLTAGE	120V ELV/TRIAC, 120V-277V & 0-10V & DALI/DMX		
CONSTRUCTION	Housing: Galvanized Steel Heat Sink, Trims and Reflectors: Die-Cast Aluminum		

DIMMING	Universal Dimming TRIAC/ELV: 100% – 3% 0-10V: 100% – 0.1% dim to off DALI2: 100% – 0.1% dim to off Pure Smart™ 100% – 5% Pure Smart™ Wi-Fi Dimmer TRIAC/ELV 2.4GHz Wi-Fi. No Hub needed. Voice control with Goggle Assistant, Alexa, Siri, Shortcuts, and IFTTT
CUT OUT SIZE	Round: Ø3", Square: 3"
CEILING THICKNESS	0.5" - 1"
ENVIRONMENT	Suitable for damp locations
CERTIFICATIONS	ETL Listed. Meets Title 24 (JA8) requirements.
AVERAGE LIFE	50,000 Hours
WARRANTY*	5 Years *See published warranty terms for detailed information

WATTS	LUCA 2.7 STATIC WHITE														
	16W					20W					24W				
COLOR TEMPERATURE	24K	27K	30K	35K	40K	24K	27K	30K	35K	40K	24K	27K	30K	35K	40K
LUMENS	705	787	820	837	853	845	943	983	1002	1022	946	1056	1100	1122	1144
LUMENS PER WATT (lm/w)	44	49	51	52	53	47	52	55	56	57	39	44	46	47	48
CRI	93	93	93	93	93	92	92	92	92	92	92	92	92	92	92

PROJECT		FIXTURE TYPE		DATE	
---------	--	--------------	--	------	--

LUCA 2.7" STATIC WHITE

120V-277V, RECESSED WALL WASH DOWNLIGHTS

LUCA 2.7 Light Engine

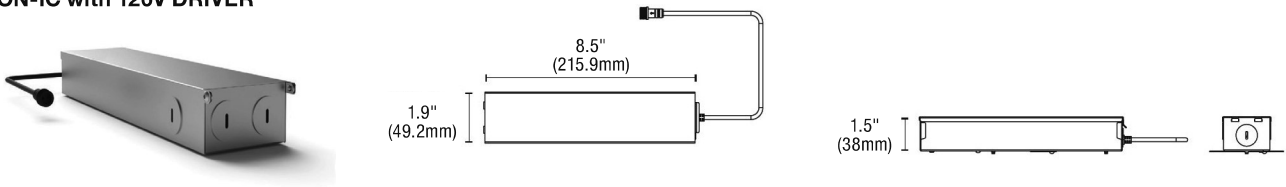
LIGHT ENGINE

System	Beam Spread	Color Temperature	Shape	Function	Reflector Finish	Trim Type/Finish
L27	WW	30K	R	W	W	W
L27 Luca 2.7 Light Engine	WW Wall Wash Asymmetrical Beam Spread	24K 2400K Very Warm White 27K 2700K Incandescent White 30K 3000K Warm White 35K 3500K Neutral White 40K 4000K Cool White	R Round S Square	W Wall Wash	W White B Black C Custom H Haze (Satin Silver)	W White B Black L Trimless C Custom



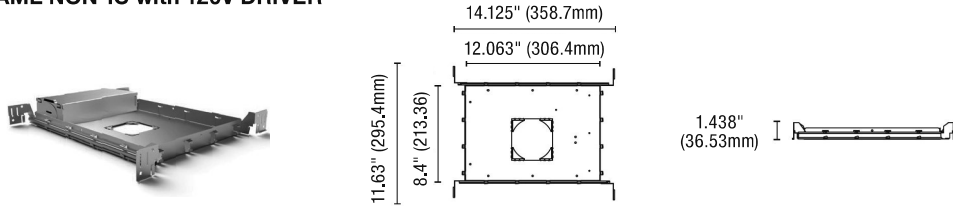
Frames & Housings

REMODEL NON-IC with 120V DRIVER



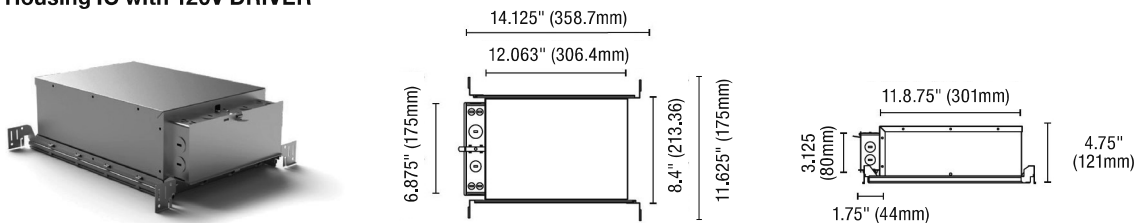
Product	Housing Type	Rating Type	Wattage/Lumens	Dimming
L27	RM	NIC	24W	UN
L27 Luca 2.7 Downlight	RM Remodel	NIC Non-Insulation Contact	16W 16 Watts/820 Lumens 20W 20 Watts/983 Lumens 24W 24 Watts/1100 Lumens	UN TRIAC/MLV, ELV 120V Input 01 0-10V 120V/277V Input DA DALI 2 120V/277V Input

NEW CONSTRUCTION FRAME NON-IC with 120V DRIVER



Product	Housing Type	Rating Type	Wattage/Lumens	Dimming
L27	NCF	NIC	20W	UN
L27 Luca 2.7 Downlight	NCF New Construction Frame	NIC Non-Insulation Contact	16W 16 Watts/820 Lumens 20W 20 Watts/983 Lumens 24W 24 Watts/1100 Lumens	UN TRIAC/MLV, ELV 120V Input 01 0-10V 120V/277V Input DA DALI 2 120V/277V Input

New Construction Housing IC with 120V DRIVER

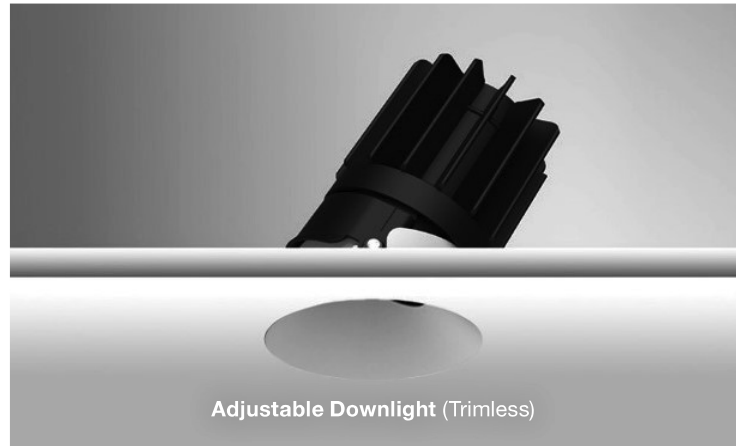
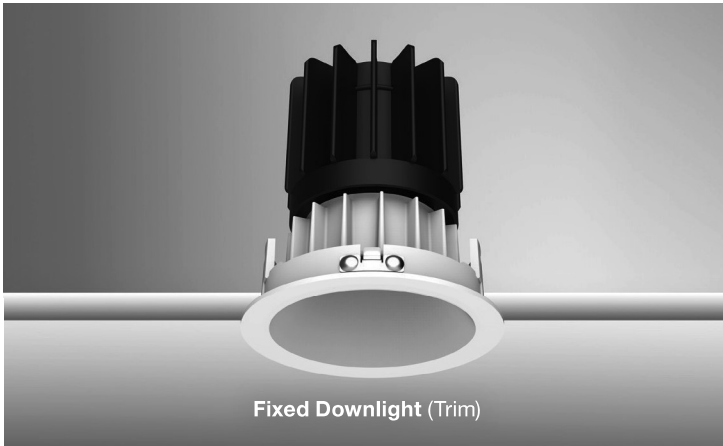


Product	Housing Type	Rating Type	Wattage/Lumens	Dimming
L27	NCH	IC	16W	UN
L27 Luca 2.7 Downlight	NCH New Construction Housing	IC Insulation Contact	16W 16 Watts/820 Lumens	UN TRIAC/MLV, ELV 120V Input 01 0-10V 120V/277V Input DA DALI 2 120V/277V Input

PROJECT		FIXTURE TYPE		DATE	
---------	--	--------------	--	------	--

LUCA 2.7" STATIC WHITE

120V-277V, RECESSED FIXED & ADJUSTABLE DOWNLIGHTS



DESCRIPTION

Introducing the Luca 2.7 "The Bringer of Light" Downlight Series—a beacon of innovation in lighting technology. Designed for high-performance, these downlights are crafted to enhance hospitality, retail, commercial, and luxury residential environments. Featuring precision optics, the Luca downlights deliver a beam that reaches the very top of the wall, creating an elegant wash of light. With a Color Rendering Index (CRI) surpassing 90, these lights ensure exceptional color accuracy, making them an ideal choice for spaces where ambiance and visual clarity are paramount.

The Luca Downlight series delivers captivating illumination across a wide spectrum, creating a visually engaging experience within any space. With its extensive range of design and installation options, our Luca 2.7 Downlight is versatile for a wide array of new construction and remodel applications. Moreover, the compact form factor of the Luca 2.7 allows for installation in spaces with limited clearance.

Discover a new era of lighting performance and versatility with the Luca 2.7 Downlight Series, where superior optics, lumen performance, and outstanding color consistency converge to transform a space. For personalized quotes and expert layout assistance, share your drawings and concepts with our design team at design@PureEdgeLighting.com

SPECIFICATIONS

TRIM OPTIONS	Trim, Trimless, Round, Square for Fixed & Adjustable		
FINISH	Reflector: White, Black, Haze Silver (low-glare), Trims: White, Black, Custom		
ADJUSTABLE	30° Tilt, 360° Rotation		
OPTICS	10°, 15°, 25°, 35°, 45°, 55°		
WATTAGE	16W	20W	24W
LUMENS @ 3000K, 30°	1123 Lm	1346 Lm	1507 Lm
EFFICACY	70 Lm/W	75 Lm/W	63 Lm/W
CCT	2400K, 2700K, 3000K, 3500K & 4000K		
AVERAGE CRI	90+		
INPUT VOLTAGE	120V ELV/TRIAC, 120V-277V & 0-10V & DALI/DMX		
CONSTRUCTION	Housing: Galvanized Steel Heat Sink, Trims and Reflectors: Die-Cast Aluminum		
ACCESSORIES	Clear Glass & Soft Diffusing Film (Included) Linear Spread Glass Lens, Wide Diffused Glass Lens, Double Asymmetric Glass Lens, or Hexcell Louver		

DIMMING	Universal Dimming TRIAC/ELV: 100% – 3% 0-10V: 100% – 0.1% Dim to Off DALI2: 100% – 0.1% Dim to Off Pure Smart™ 100% – 5% Pure Smart™ Wi-Fi Dimmer TRIAC/ELV 2.4GHz Wi-Fi. No Hub needed. Voice control with Goggle Assistant, Alexa, Siri, Shortcuts, and IFTTT
CUT OUT SIZE	Round: Ø3", Square: 3"
CEILING THICKNESS	0.5" - 1"
ENVIRONMENT	Suitable for damp locations
CERTIFICATIONS	ETL Listed. Meets Title 24 (JA8) requirements. Down Light Trim - Wet Listed. Adjustable - Damp listed* <small>*Glass Lens to be used in showers and similar environments</small>
AVERAGE LIFE	50,000 Hours
WARRANTY*	5 Years <small>*See published warranty terms for detailed information</small>

	LUCA 2.7 STATIC WHITE														
	16W					20W					24W				
WATTS PER FOOT															
COLOR TEMPERATURE	24K	27K	30K	35K	40K	24K	27K	30K	35K	40K	24K	27K	30K	35K	40K
LUMENS	966	1078	1123	1146	1168	1158	1292	1346	1373	1400	1296	1447	1507	1537	1567
LUMENS PER WATT (lm/w)	60	67	70	72	73	64	72	75	76	78	54	60	63	64	65
CRI	93	93	93	93	93	92	92	92	92	92	92	92	92	92	92

PROJECT		FIXTURE TYPE		DATE	
---------	--	--------------	--	------	--

LUCA 2.7" STATIC WHITE

120V-277V, RECESSED FIXED & ADJUSTABLE DOWNLIGHTS

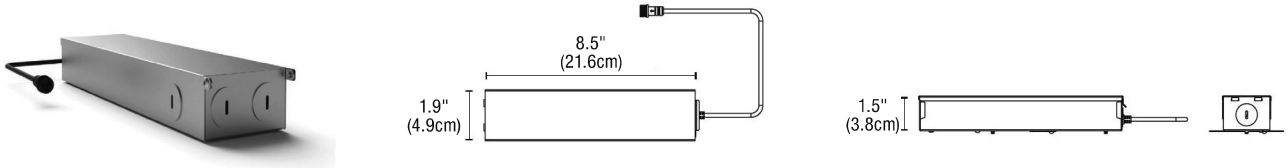
#1 Select LUCA 2.7 Beam, Color Temperature, Trim Options

System	Beam Spread	Color Temperature	Trim Shape	Trim Function	Reflector Finish	Trim Finish
L27	NF	27K	R	D	W	L
L27 Luca 2.7 Light Engine	VS VeryNarrow Spot 10° NS* Narrow Spot 15° SP Spot 25° NF Narrow Flood 35° FL Flood 45° WF Wide Flood 55° *NS: 16 Watt Only	24K* 2400K Very Warm White 27K 2700K Incandescent White 30K 3000K Warm White 35K 3500K Neutral White 40K 4000K Cool White *Only available in NS	R Round S Square	D Downlight A Adjustable P* Pinhole/Adjustable *Only available with black reflector and trimless or white trim	W White H Haze B Black C Custom	W White B Black L Trimless C Custom



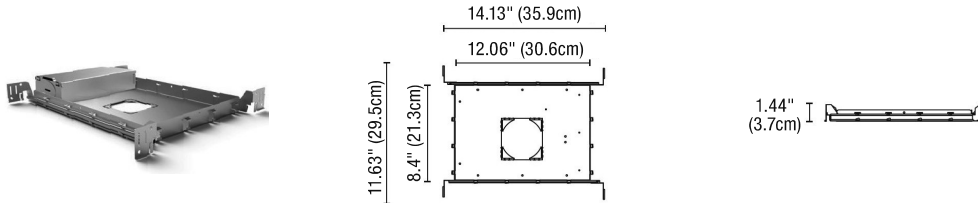
#2 Select Housing & Driver Type

REMODEL NON-IC with 120V DRIVER



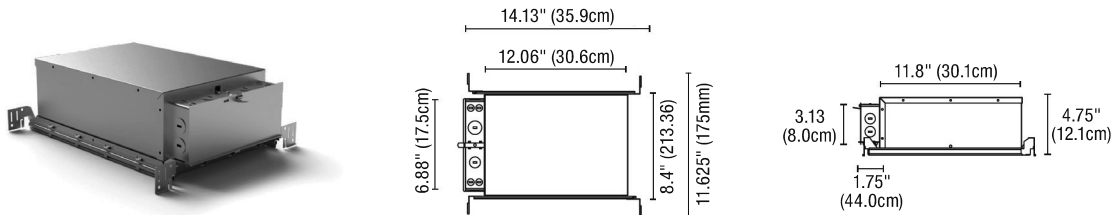
Product	Housing Type	Rating Type	Wattage/Lumens	Dimming
L27	RM	NIC	20W	UN
L27 Luca 2.7 Downlight	RM Remodel	NIC Non-Insulation Contact	16W 16 Watts/1123 Lumens 20W 20 Watts/1346 Lumens 24W 24 Watts/1507 Lumens	UN TRIAC/MLV, ELV 120V Input 01 0-10V 120V/277V Input DA DALI 2 120V/277V Input

NEW CONSTRUCTION FRAME NON-IC with 120V DRIVER



Product	Housing Type	Rating Type	Wattage/Lumens	Dimming
L27	NCF	NIC	20W	UN
L27 Luca 2.7 Downlight	NCF New Construction Frame	NIC Non-Insulation Contact	16W 16 Watts/1123 Lumens 20W 20 Watts/1346 Lumens 24W 24 Watts/1507 Lumens	UN TRIAC/MLV, ELV 120V Input 01 0-10V 120V/277V Input DA DALI 2 120V/277V Input

NEW CONSTRUCTION HOUSING IC WITH 120V DRIVER



Product	Housing Type	Rating Type	Wattage/Lumens	Dimming
L27	NCH	IC	16W	UN
L27 Luca 2.7 Downlight	NCH New Construction Housing	IC Insulation Contact	16W 16 Watts/1123 Lumens	UN TRIAC/MLV, ELV 120V Input 01 0-10V 120V/277V Input DA DALI 2 120V/277V Input

PROJECT		FIXTURE TYPE		DATE	
---------	--	--------------	--	------	--