



1718 W. Fullerton Chicago, IL 60614
 Ph: 773.770.1195 • Fax: 773.935.5613
 www.PureEdgeLighting.com • info@PureEdgeLighting.com
 © 2016 PureEdge Lighting. All Rights Reserved.

Installation Instructions for Angle and Kurve Display Sign with Feed-Through Power Stem

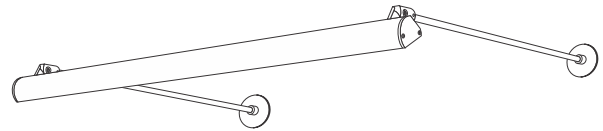
AD-7WDC-FTP_

KD-7WDC-FTP_

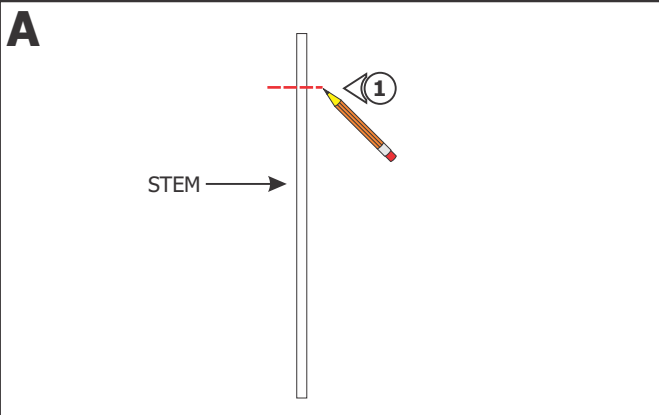
IMPORTANT INFORMATION

- This instruction shows a typical new construction installation.
- This product is powered with a 24VDC power supply such as PSB-96W-010-24VDC.

SAVE THESE INSTRUCTIONS!

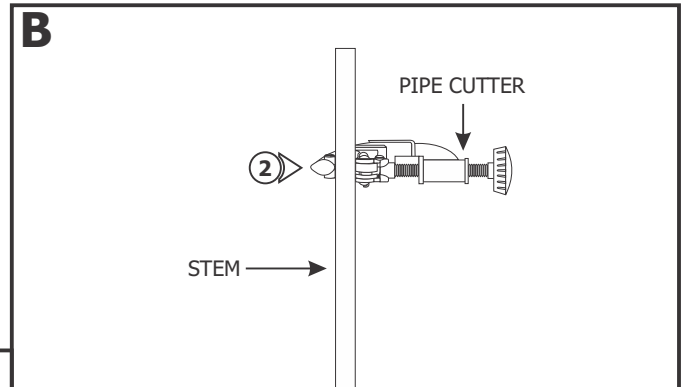


Section One: Resize the Stem (Optional)

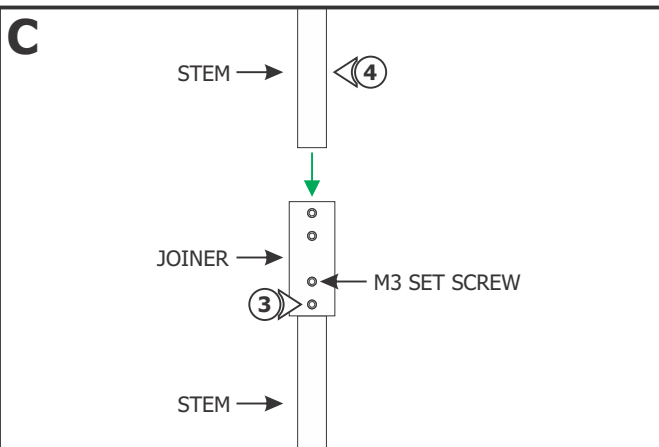


NOTE: Adjust the height of the stem. Omit this section if adjustments are not needed.

- 1:** From the end of the stem, mark the stem to the amount that needs to be shortened. For example, to resize 24" stem to 17", mark 7" from the end of the stem.



- 2:** Use a pipe cutter to cut out the excess rod.

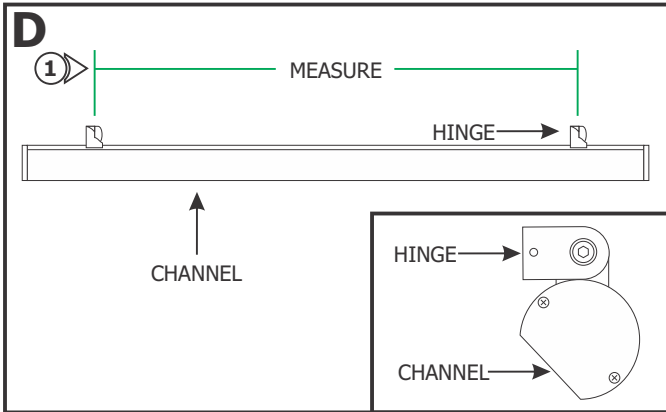


- 3:** To extend the rod, insert the stem half way into the joiner. Tighten the M3 set screws using a 1.5mm Allen wrench.

- 4:** Slide the other stem into the joiner and tighten the remaining set screws.

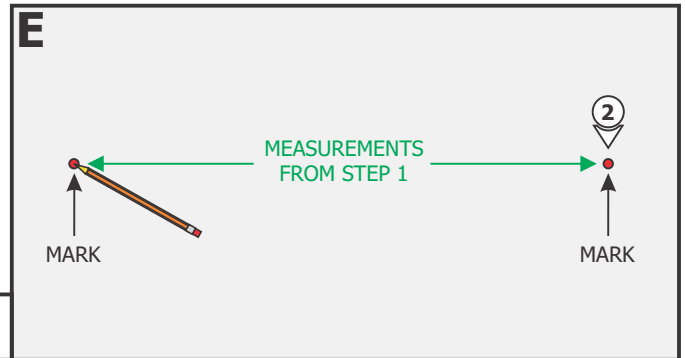
- 5:** Refer to steps 1 and 2 to cut the stem to desired length.

Section Two: Install the Fixture

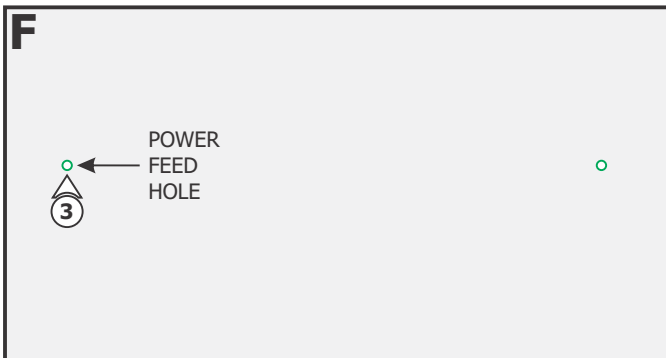


NOTE: Depending on fixture length, the fixture is provided with 2 to 4 hinges.

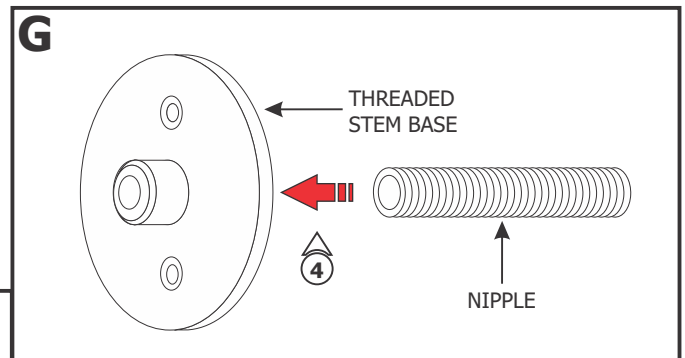
1: Measure the distance from center of each hinge to the other hinge. Typically, the most left hinge contains the power wires.



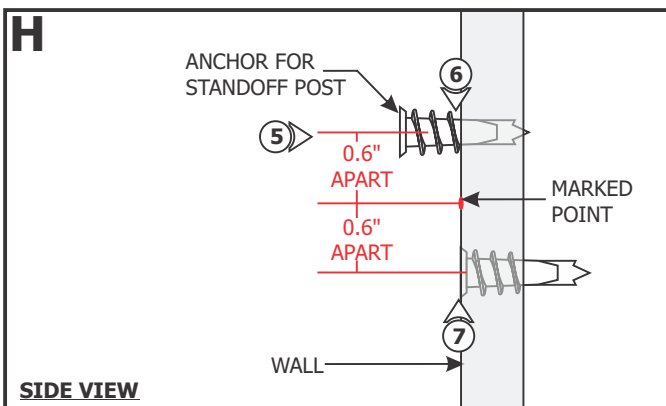
2: Mark the measured points on the wall where the fixture is to be mounted.



3: Mark the measured points on the wall where the fixture is to be mounted.



4: Insert and tighten the nipple into the back of the stem base with threads, for the power feed.

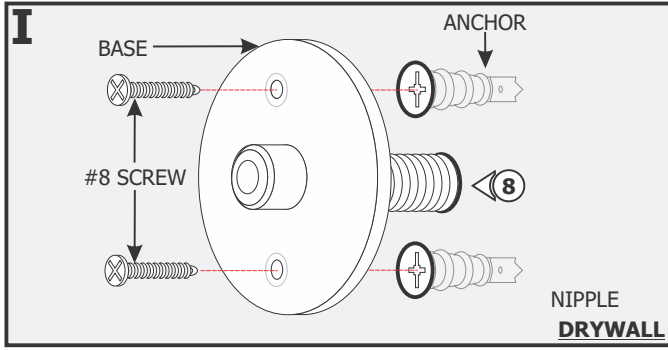


NOTE: The base holes should be in a vertical position at 90° angle to the direction of the fixture.

5: Mark additional points at 0.6" to the top & bottom of the drilled and marked points.

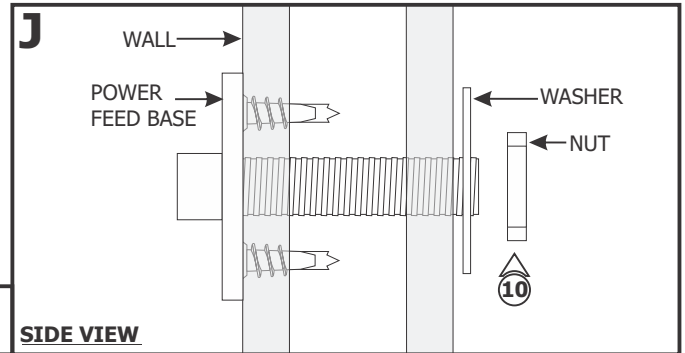
6: Use a hammer to tap in the anchors on the (new) marked points up to the threaded portion.

7: Screw in the threaded portion of the anchors with a Phillips screwdriver.

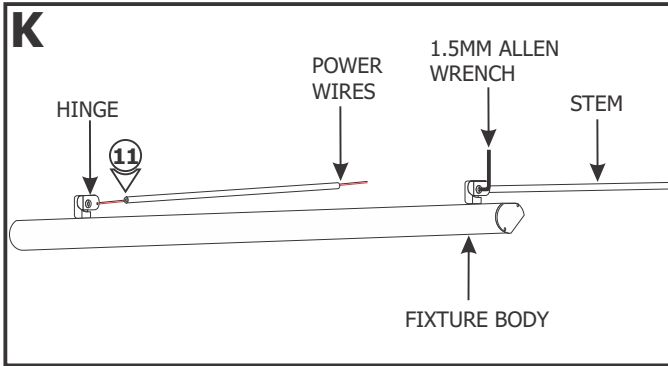


8: Insert the base nipple into the hole and secure using the two #8 screws provided.

9: Repeat step 8 for the other bases (without the nipple).



10: Power Feed Base Only: secure from behind the wall using the large washer and nut.

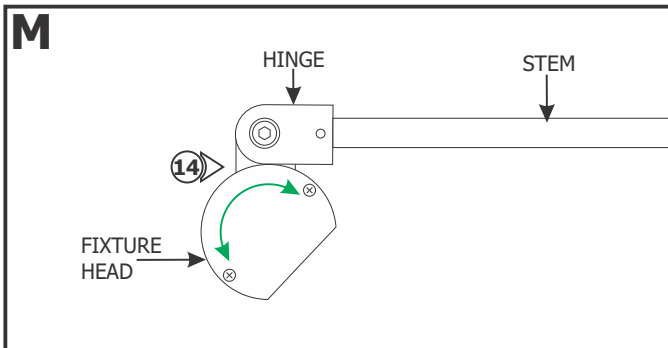
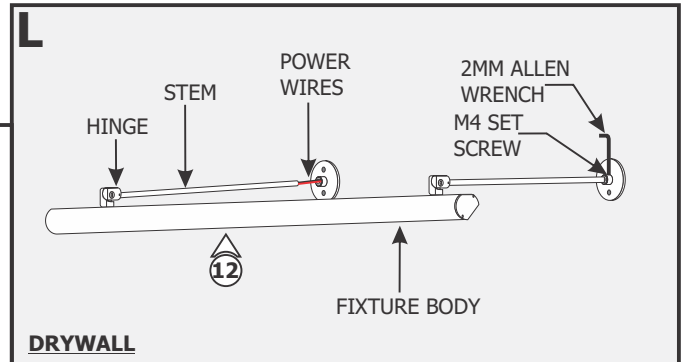


NOTE: It is recommended another person hold the fixture while the electrician connects the power to the fixture.

11: Feed the stem into the fixture hinges and secure by tightening the M3 set screw with the 1.5MM Allen wrench. **For the power feed hinge carefully run the power wires through the stem.**

12: While feeding the power wires into the base, slide the stems into the bases. Secure the stems in place by tightening the M4 set screw on the bases with 2MM Allen wrench.

13: Make all the proper wire connections. Refer to the power supply instructions for additional information and general wiring diagram.



14: Rotate the fixture head to properly luminate the sign.

General Wiring Diagram

