



1718 W. Fullerton Chicago, IL 60614  
 Ph: 773.770.1195 • Fax: 773.935.5613  
 www.PureEdgeLighting.com • info@PureEdgeLighting.com  
 © 2016 PureEdge Lighting. All Rights Reserved.

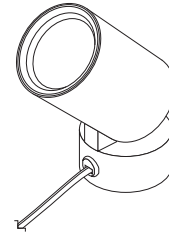
## Installation Instructions for **Big Shorty**

**BSF-MR16-12V-\_\_**

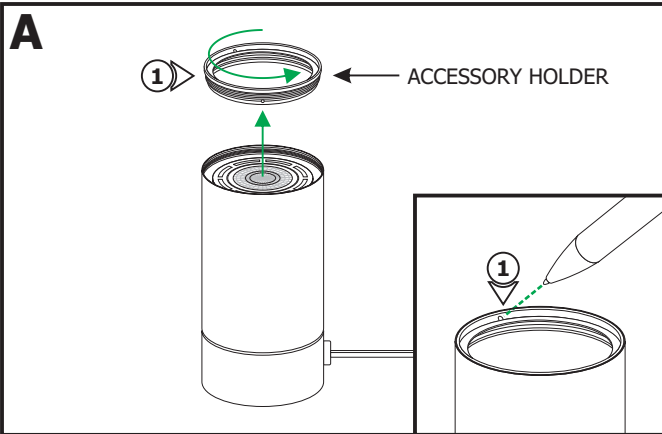
### IMPORTANT INFORMATION

- This product is ETL listed.
- This instruction shows a typical installation.
- This product is suitable for dry locations.
- This product is dimmable with an ELV dimmer connected to the outlet.

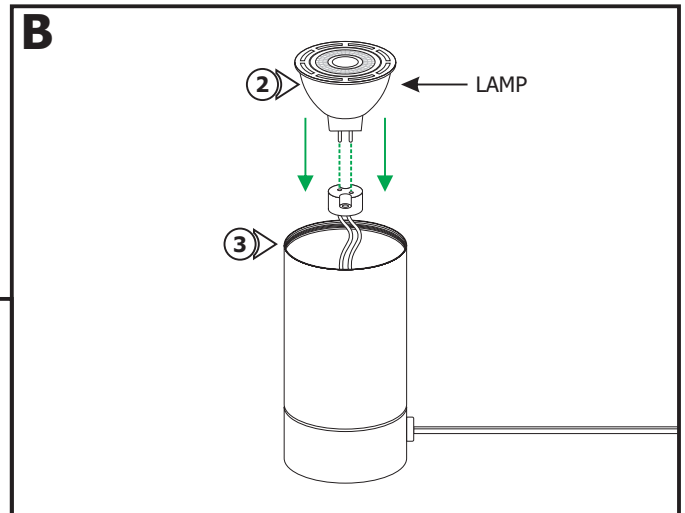
**SAVE THESE INSTRUCTIONS!**



## Install the Fixture



**1:** Insert a pin such as a pen into the lamp cover and rotate counter-clockwise to remove the accessory holder.

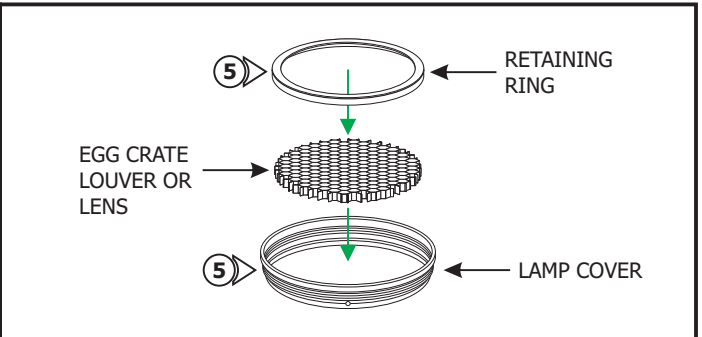
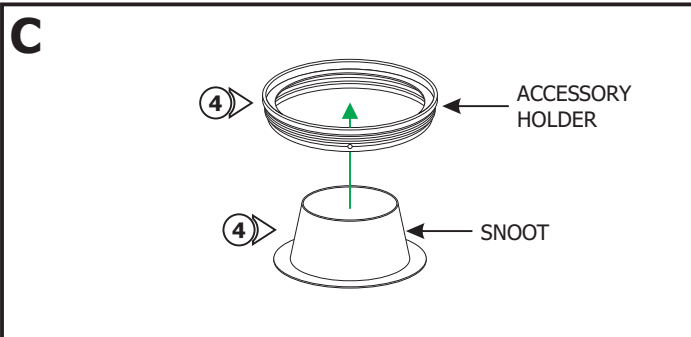


**NOTE:** Use **MAX 9** Watt Type MR16 LED lamp.



**2:** Align and completely install the LED MR16 lamp pins into the socket holes.

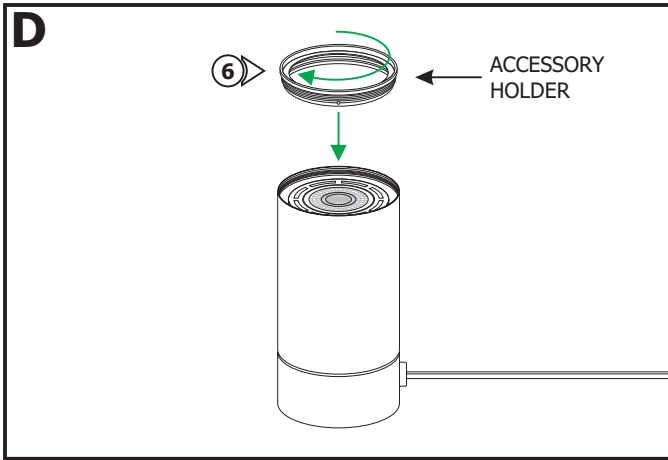
**3:** Place the lamp properly inside the fixture.



**NOTE:** Omit steps 4 and 5 if not using an accessory.

**4:** To install the Snoot or Half Snoot, simply place the snoot behind the accessory holder.

**5:** Unsnap the retaining ring to install an Egg Crate Louver or a lens inside the lamp cover. Snap back the retaining ring to hold the accessory in place.



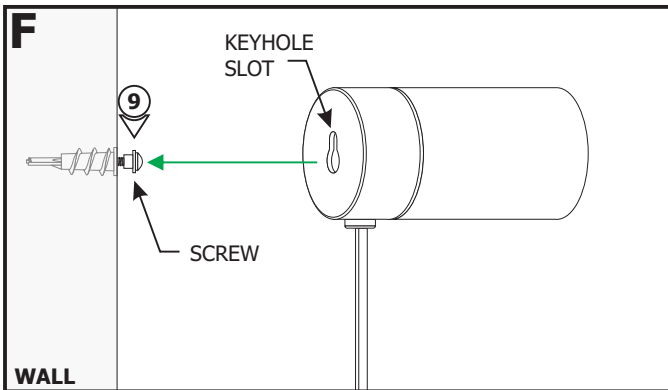
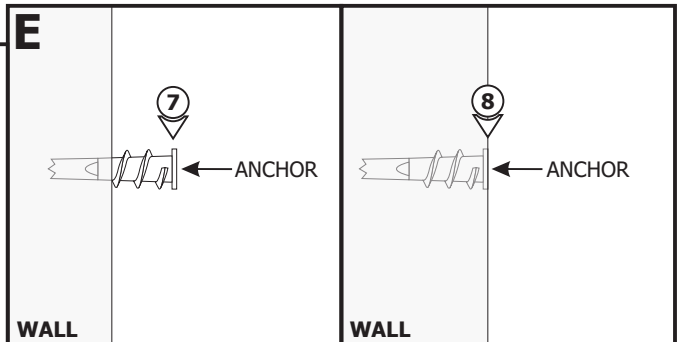
**6:** Screw the accessory holder back clockwise to secure in place.

**NOTE:** This product mounts only to a wall or floor (without the anchor). Steps 7 through 9 are for wall mount only.

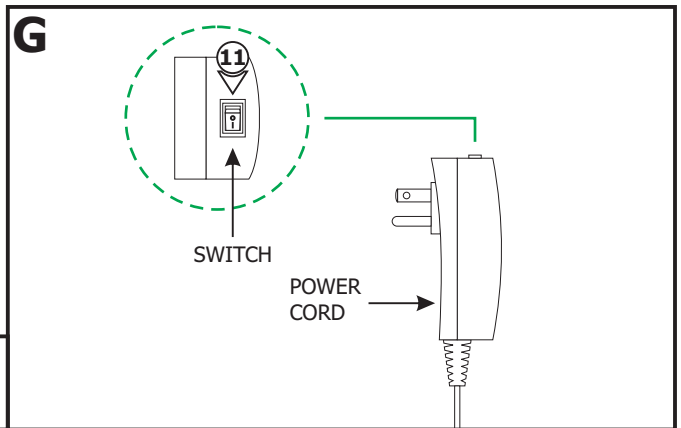
**NOTE:** Steps 7 and 8 are for drywall mounting. Omit these steps if mounting to a wood surface directly.

**7:** Tap the anchor up to the threaded portion with a hammer.

**8:** Screw in the threaded portion of the anchor with a Phillips screwdriver.

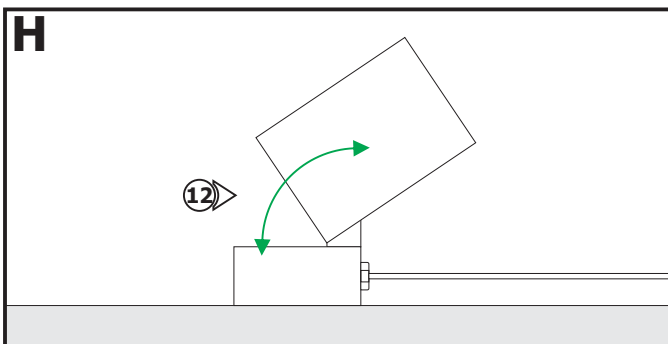


**9:** Tighten the screw into the anchor leaving about 1/16" gap between them. Align and place the keyhole slot on the back of the fixture with the screw head and slide it down to lock the fixture in place.



**10:** Plug in the power cord into an outlet.

**11:** Turn on the switch.



**12:** Adjust the angle of the fixture by rotating the body.