



CIRRUS CEILING WALL WASH WITH GLARE SHIELD

REMOTE POWER WITH TUNABLE WHITE



DESIGNED BY GREGORY KAY | ASSEMBLED IN AMERICA | PATENT PENDING

REV 08.17.21



DESCRIPTION

The New Generation of our Cirrus Wall Wash with Shield and Tunable White is precision-engineered to block glare and illuminate vertical surfaces from the top of the ceiling to the floor at a 3.3:1 ratio. Available in 5, 7 or 10 watts per foot with designer-grade 92+ CRI LEDs, rendering art and colors in their truest forms. Using the latest in LED Technology Tunable White 2000K-6500K (**2K6K**) or 2700K-6500K (**27K6**) grants independent control and adjustment of color temperature and intensity from 2000K (Sunset) through 6500K (Day Light White). 2K6K is ideal for residential spaces including, dining rooms, bedrooms, living spaces, and bathrooms by allowing the user to achieve a warm glow during the golden hours of the early mornings and evenings. For commercial environments, 27K6 promotes focus and alertness which is ideal for offices, healthcare and education, while still achieving warmer color temperatures best for hospitality and retail environments. Human-Centric lighting, or tunable white, promotes performance, mood, and overall well-being by fine-tuning the emotional effects that light has on the circadian cycle. Mounted 24" from the wall, and offered with a Split Canopy that mounts on Standard Junction Box or with a Slim Profile Channel Junction Box (**C-1RE-JBOX**) with no visible canopy on the ceiling becoming one with the architecture. Clips are provided every 18". Powered by Class 2, 24VDC remote power supplies that can be located up to 40' away. Ordered in various increments, from 12"-240". For lengths greater than 240" (84" chrome) or making 90° turns contact us for a custom quotation. *Remote Power Supplies are Required and Sold Separately. Fixtures include a 5 year pro-rated warranty. For custom designs and quotes, email our design team: design@PureEdgeLighting.com.

FINISHES



Satin Black **BK** Antique Bronze **BZ** Satin Nickel **SN** White **WH**

INSTALLATION

- Mounts to a Standard Junction Box, pre-wired from 120V/24VDC Remote Power Supply up to 100 Watts (sold separately) at maximum 40' away
- Includes your choice of Canopy: 1" Rectangle Junction Box or 4.6" Square Canopy Feed
- 6' Whip
- Includes Mounting Clips
- Power Supply sold separately

LENS

- Diffused White Wall Wash Lens with Glare Shield, optional Black or White Louvers

LAMPING

- 5, 7 or 10 watts per foot
- Tunable White (**2K6K or 27K6**)
- Designer Grade High CRI 95+ LEDs
- 50,000 Hour Lamp Life

REMOTE POWER SUPPLIES, DIMMERS & CONTROLS (SOLD SEPARATELY)*

- 24VDC, Class 2 wiring
- **0-10V:** Requires two dimmers, one for intensity and one for kelvin color temperature
- **DMX:** Dynamic Color Changing use our proprietary Tunable White Controller CDMX-2XK

*In-Wall Mounting and drop ceiling Kits available for select power supplies

APPLICATIONS

Designed for indoor use only. Ideal applications include Residential, Commercial, Retail, and Hospitality Environments

APPROVALS

Damp Location, Class 2 wiring, ETL Listed, Made in America Patent Pending

System	Wattage Per Foot	Canopy	Nominal Size	Color Temperature	Finish
CCWSH	5W	1R	240	27K6	SN
CCWSH Cirrus Ceiling with Glare Shield Wall Wash	5W 4.4 Watts (240", max 20')	1R 1" Rectangle Canopy	12-240 Order in various increments from 12"-240"	2K6K Tunable White 2000K-6500K	BK Satin Black
CCWSHW Cirrus Ceiling with Glare Shield Wall Wash with White Louver	7W 7.4 Watts (144", max 12')	4S 4.6" Square Split Canopy	*Maximum shipping length 120" (84" Chrome)	27K6 Tunable White 2700K-6500K	BZ Antique Bronze
CCWSHB Cirrus with Glare Shield Wall Wash with Black Louver	10W 9.6 Watts (120" max, 10')		*See length chart for exact dimensions		SN Satin Nickel
					WH White
					XX Custom Finish

PROJECT	FIXTURE TYPE	DATE
---------	--------------	------

CIRRUS CEILING WALL WASH WITH GLARE SHIELD

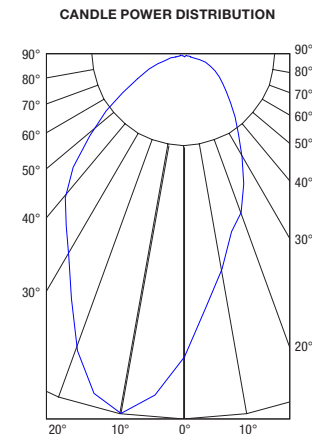
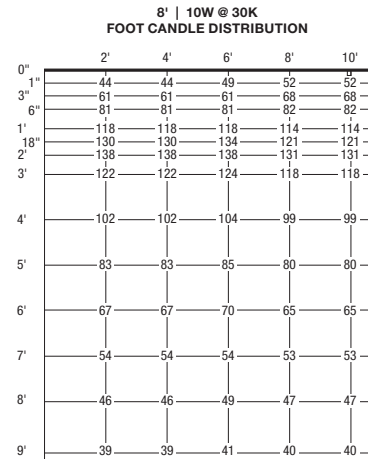
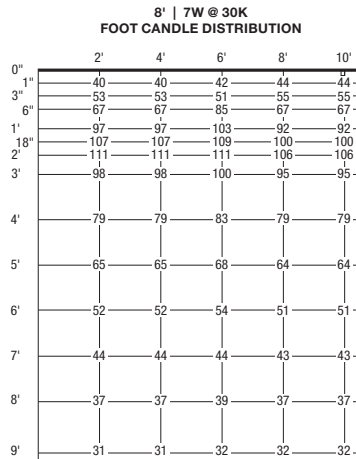
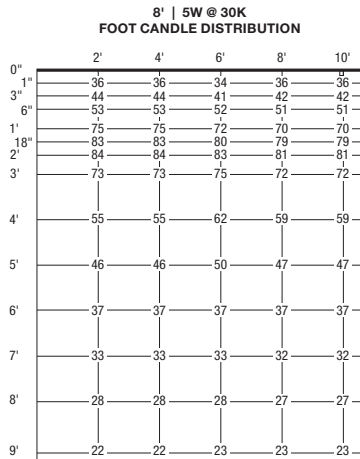
REMOTE POWER WITH TUNABLE WHITE

NOMINAL LAMP DATA: Lamp data Cirrus Ceiling Wall Wash with Glare Shield

DESCRIPTION	CCWSH																															
	CIRRUS WALL WASH																															
WATTS PER FOOT	2K6K 5W (4.4 watts)								27K6 5w (4.4 watts)								2K6K 10W (9.6 watts)								27K6 10w (9.6 watts)							
COLOR TEMPERATURE	20K	22K	24K	27K	30K	35K	40K	57K	65K	27K	30K	35K	40K	45K	57K	65K	20K	22K	24K	27K	30K	35K	40K	57K	65K	27K	30K	35K	40K	45K	57K	65K
LUMENS PER FOOT (lm/ft)	258	271	284	298	325	338	351	334	324	323	332	342	352	338	334	324	450	495	541	632	658	673	598	635	615	613	631	649	668	643	635	615
LUMENS PER WATT (lm/w)	64	59	62	65	71	74	88	84	82	81	83	83	82	82	84	82	56	59	61	66	71	73	75	69	77	77	69	71	73	70	69	77
CRI	83+	83+	92+	92+	92+	94+	94+	93+	93+	93+	93+	94+	94+	94+	93+	93+	83+	83+	92+	92+	92+	94+	94+	93+	93+	93+	93+	94+	94+	94+	93+	93+

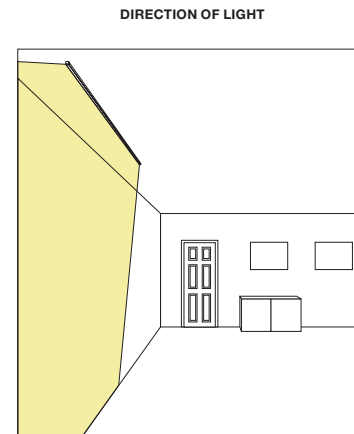
DESCRIPTION	CCWSHW																															
	CIRRUS WALL WASH, WHITE LOUVER																															
WATTS PER FOOT	2K6K 5W (4.4 watts)								27K6 5w (4.4 watts)								2K6K 10W (9.6 watts)								27K6 10w (9.6 watts)							
COLOR TEMPERATURE	20K	22K	24K	27K	30K	35K	40K	57K	65K	27K	30K	35K	40K	45K	57K	65K	20K	22K	24K	27K	30K	35K	40K	57K	65K	27K	30K	35K	40K	45K	57K	65K
LUMENS PER FOOT (lm/ft)	201	211	222	232	253	264	274	261	252	251	259	266	274	264	261	252	351	386	421	492	512	524	466	495	479	478	491	506	520	501	495	479
LUMENS PER WATT (lm/w)	50	46	48	50	55	57	68	65	64	63	65	65	64	64	65	64	44	46	48	51	56	57	58	54	60	60	53	55	57	54	54	60
CRI	83+	83+	92+	92+	92+	94+	94+	93+	93+	93+	93+	94+	94+	94+	93+	93+	83+	83+	92+	92+	92+	94+	94+	93+	93+	93+	93+	94+	94+	94+	93+	93+

DESCRIPTION	CCWSHB																															
	CIRRUS WALL WASH, BLACK LOUVER																															
WATTS PER FOOT	2K6K 5W (4.4 watts)								27K6 5w (4.4 watts)								2K6K 10W (9.6 watts)								27K6 10w (9.6 watts)							
COLOR TEMPERATURE	20K	22K	24K	27K	30K	35K	40K	57K	65K	27K	30K	35K	40K	45K	57K	65K	20K	22K	24K	27K	30K	35K	40K	57K	65K	27K	30K	35K	40K	45K	57K	65K
LUMENS PER FOOT (lm/ft)	117	123	129	135	148	154	160	152	147	147	151	155	160	154	152	147	204	225	246	287	299	306	272	289	279	279	287	295	304	292	289	279
LUMENS PER WATT (lm/w)	29	27	28	29	32	33	40	38	37	37	38	38	37	37	38	37	26	27	28	30	32	33	34	31	35	35	31	32	33	32	31	35
CRI	83+	83+	92+	92+	92+	94+	94+	93+	93+	93+	93+	94+	94+	94+	93+	93+	83+	83+	92+	92+	92+	94+	94+	93+	93+	93+	93+	94+	94+	94+	93+	93+



FIXTURE MOUNTED 24" FROM WALL
10W @ 2K4K CHANNEL AND DIFFUSED LENS

Height	2'	4'	6'	8'	10'
1"	64	72	74	73	55
3"	76	83	87	91	67
6"	96	104	106	111	83
1'	132	138	142	135	110
2'	139	155	157	151	119
3'	119	136	137	129	107
4'	94	110	113	105	89
5'	77	88	91	85	73
6'	62	69	69	69	55
7'	50	56	61	57	51
8'	43	48	51	45	43
9'	34	40	41	35	32



PROJECT		FIXTURE TYPE		DATE	
---------	--	--------------	--	------	--



CIRRUS CEILING WALL WASH WITH GLARE SHIELD

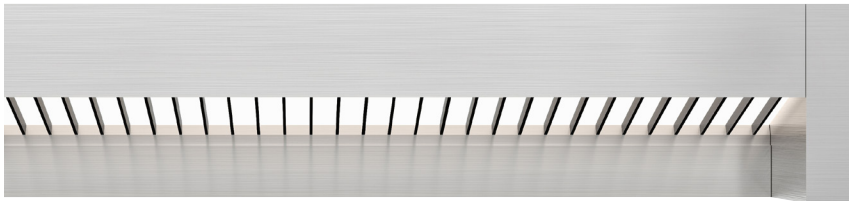
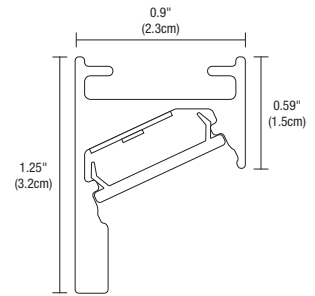
REMOTE POWER WITH TUNABLE WHITE



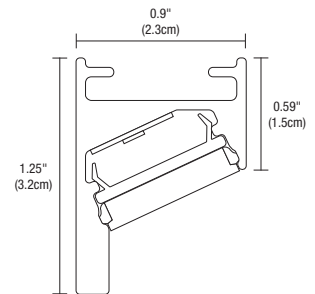
REV 08.17.21



CIRRUS CEILING WALL WASH WITH GLARE SHIELD



CIRRUS CEILING WALL WASH WITH GLARE SHIELD AND BLACK LOUVER

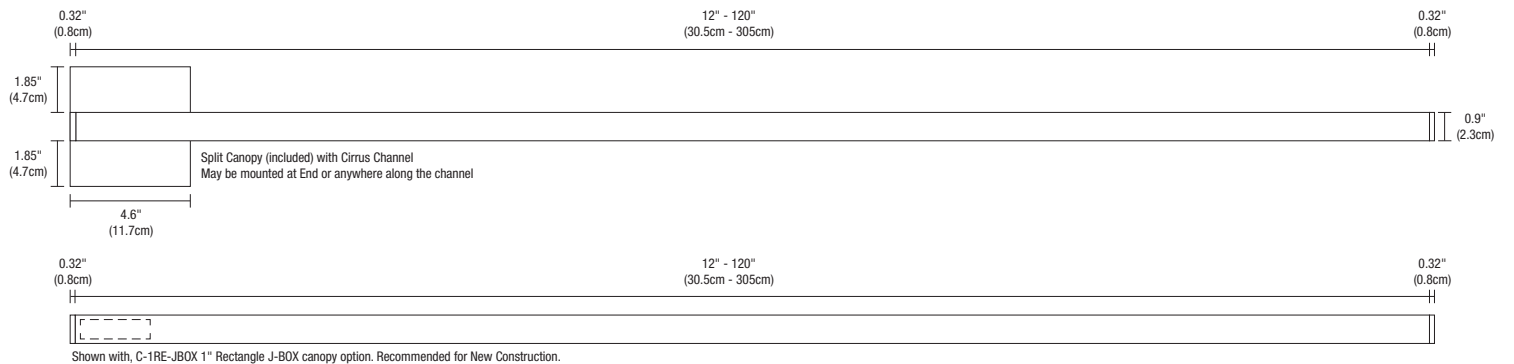


CIRRUS CEILING WALL WASH WITH GLARE SHIELD



CIRRUS CEILING WALL WASH WITH GLARE SHIELD AND WHITE LOUVER

DRAWINGS Canopy & Channel drawings for the Cirrus Ceiling D1



PROJECT		FIXTURE TYPE		DATE	
---------	--	--------------	--	------	--



CIRRUS CEILING WALL WASH WITH GLARE SHIELD

REMOTE POWER WITH TUNABLE WHITE



REV 08.17.21

Length Chart: Actual lengths for Cirrus Ceiling Wall Wash

		5W			10W		
		WITH TWO DIMMERS: YOU NEED TWO UNI DRIVER POWER SUPPLIES, ONE FOR EACH KELVIN (SEE PAGES BELOW)		DMX POWER AND CDMX CONTROLLER: YOU NEED ONE POWER SUPPLY ONLY (SEE PAGES BELOW)	WITH TWO DIMMERS: YOU NEED TWO UNI DRIVER POWER SUPPLIES, ONE FOR EACH KELVIN (SEE PAGES BELOW)		DMX POWER AND CDMX CONTROLLER: YOU NEED ONE POWER SUPPLY ONLY (SEE PAGES BELOW)
ORDERING CODE (NOMINAL SIZE)	ACTUAL LENGTH	5 WATTS PER FT	POWER SUPPLY	POWER SUPPLY	10 WATTS PER FT	POWER SUPPLY	POWER SUPPLY
12	13	5	PSB-2x40W-UNI-24VDC	PSB-100W-24VDC-2XK	10	PSB-2x40W-UNI-24VDC	PSB-100W-24VDC-2XK
15	15.4	6	PSB-2x40W-UNI-24VDC	PSB-100W-24VDC-2XK	12	PSB-2x40W-UNI-24VDC	PSB-100W-24VDC-2XK
17	17.8	7	PSB-2x40W-UNI-24VDC	PSB-100W-24VDC-2XK	14	PSB-2x40W-UNI-24VDC	PSB-100W-24VDC-2XK
20	20.2	8	PSB-2x40W-UNI-24VDC	PSB-100W-24VDC-2XK	17	PSB-2x40W-UNI-24VDC	PSB-100W-24VDC-2XK
22	22.6	9	PSB-2x40W-UNI-24VDC	PSB-100W-24VDC-2XK	18	PSB-2x40W-UNI-24VDC	PSB-100W-24VDC-2XK
24	25	10	PSB-2x40W-UNI-24VDC	PSB-100W-24VDC-2XK	20	PSB-2x40W-UNI-24VDC	PSB-100W-24VDC-2XK
27	27.4	11	PSB-2x40W-UNI-24VDC	PSB-100W-24VDC-2XK	22	PSB-2x40W-UNI-24VDC	PSB-100W-24VDC-2XK
29	29.8	12	PSB-2x40W-UNI-24VDC	PSB-100W-24VDC-2XK	24	PSB-2x40W-UNI-24VDC	PSB-100W-24VDC-2XK
32	32.2	13	PSB-2x40W-UNI-24VDC	PSB-100W-24VDC-2XK	27	PSB-2x40W-UNI-24VDC	PSB-100W-24VDC-2XK
34	34.6	14	PSB-2x40W-UNI-24VDC	PSB-100W-24VDC-2XK	28	PSB-2x40W-UNI-24VDC	PSB-100W-24VDC-2XK
36	37	15	PSB-2x40W-UNI-24VDC	PSB-100W-24VDC-2XK	30	PSB-2x40W-UNI-24VDC	PSB-100W-24VDC-2XK
39	39.4	16	PSB-2x40W-UNI-24VDC	PSB-100W-24VDC-2XK	32	PSB-2x40W-UNI-24VDC	PSB-100W-24VDC-2XK
41	41.8	17	PSB-2x40W-UNI-24VDC	PSB-100W-24VDC-2XK	34	PSB-2x40W-UNI-24VDC	PSB-100W-24VDC-2XK
44	44.2	18	PSB-2x40W-UNI-24VDC	PSB-100W-24VDC-2XK	37	PSB-2x40W-UNI-24VDC	PSB-100W-24VDC-2XK
46	46.6	19	PSB-2x40W-UNI-24VDC	PSB-100W-24VDC-2XK	38	PSB-2x40W-UNI-24VDC	PSB-100W-24VDC-2XK
48	49	20	PSB-2x40W-UNI-24VDC	PSB-100W-24VDC-2XK	40	PSB-2x60W-UNI-24VDC	PSB-100W-24VDC-2XK
51	51.4	21	PSB-2x40W-UNI-24VDC	PSB-100W-24VDC-2XK	42	PSB-2x60W-UNI-24VDC	PSB-100W-24VDC-2XK
53	53.8	22	PSB-2x40W-UNI-24VDC	PSB-100W-24VDC-2XK	44	PSB-2x60W-UNI-24VDC	PSB-100W-24VDC-2XK
56	56.2	23	PSB-2x40W-UNI-24VDC	PSB-100W-24VDC-2XK	47	PSB-2x60W-UNI-24VDC	PSB-100W-24VDC-2XK
58	58.6	24	PSB-2x40W-UNI-24VDC	PSB-100W-24VDC-2XK	48	PSB-2x60W-UNI-24VDC	PSB-100W-24VDC-2XK
60	61	25	PSB-2x40W-UNI-24VDC	PSB-100W-24VDC-2XK	50	PSB-2x60W-UNI-24VDC	PSB-100W-24VDC-2XK
63	63.4	26	PSB-2x40W-UNI-24VDC	PSB-100W-24VDC-2XK	52	PSB-2x60W-UNI-24VDC	PSB-100W-24VDC-2XK
65	65.8	27	PSB-2x40W-UNI-24VDC	PSB-100W-24VDC-2XK	54	PSB-2x60W-UNI-24VDC	PSB-100W-24VDC-2XK
68	68.2	28	PSB-2x40W-UNI-24VDC	PSB-100W-24VDC-2XK	57	PSB-2x60W-UNI-24VDC	PSB-100W-24VDC-2XK
70	70.6	29	PSB-2x40W-UNI-24VDC	PSB-100W-24VDC-2XK	58	PSB-2x60W-UNI-24VDC	PSB-100W-24VDC-2XK
72	73	30	PSB-2x40W-UNI-24VDC	PSB-100W-24VDC-2XK	60	PSB-2x96W-UNI-24VDC	PSB-100W-24VDC-2XK
75	75.4	31	PSB-2x40W-UNI-24VDC	PSB-100W-24VDC-2XK	62	PSB-2x96W-UNI-24VDC	PSB-100W-24VDC-2XK
77	77.8	32	PSB-2x40W-UNI-24VDC	PSB-100W-24VDC-2XK	64	PSB-2x96W-UNI-24VDC	PSB-100W-24VDC-2XK
80	80.2	33	PSB-2x40W-UNI-24VDC	PSB-100W-24VDC-2XK	67	PSB-2x96W-UNI-24VDC	PSB-100W-24VDC-2XK
82	82.6	34	PSB-2x40W-UNI-24VDC	PSB-100W-24VDC-2XK	68	PSB-2x96W-UNI-24VDC	PSB-100W-24VDC-2XK
84*	85	35	PSB-2x40W-UNI-24VDC	PSB-100W-24VDC-2XK	70	PSB-2x96W-UNI-24VDC	PSB-100W-24VDC-2XK
87	87.4	36	PSB-2x40W-UNI-24VDC	PSB-100W-24VDC-2XK	72	PSB-2x96W-UNI-24VDC	PSB-100W-24VDC-2XK
89	89.8	37	PSB-2x40W-UNI-24VDC	PSB-100W-24VDC-2XK	74	PSB-2x96W-UNI-24VDC	PSB-100W-24VDC-2XK
92	92.2	38	PSB-2x40W-UNI-24VDC	PSB-100W-24VDC-2XK	77	PSB-2x96W-UNI-24VDC	PSB-100W-24VDC-2XK
94	94.6	39	PSB-2x40W-UNI-24VDC	PSB-100W-24VDC-2XK	78	PSB-2x96W-UNI-24VDC	PSB-100W-24VDC-2XK
96	97	40	PSB-2x60W-UNI-24VDC	PSB-100W-24VDC-2XK	80	PSB-2x96W-UNI-24VDC	PSB-100W-24VDC-2XK
99	99.4	41	PSB-2x60W-UNI-24VDC	PSB-100W-24VDC-2XK	82	PSB-2x96W-UNI-24VDC	PSB-100W-24VDC-2XK
101	101.8	42	PSB-2x60W-UNI-24VDC	PSB-100W-24VDC-2XK	84	PSB-2x96W-UNI-24VDC	PSB-100W-24VDC-2XK
104	104.2	43	PSB-2x60W-UNI-24VDC	PSB-100W-24VDC-2XK	87	PSB-2x96W-UNI-24VDC	PSB-100W-24VDC-2XK
106	106.6	44	PSB-2x60W-UNI-24VDC	PSB-100W-24VDC-2XK	88	PSB-2x96W-UNI-24VDC	PSB-100W-24VDC-2XK
108	109	45	PSB-2x60W-UNI-24VDC	PSB-100W-24VDC-2XK	90	PSB-2x96W-UNI-24VDC	PSB-100W-24VDC-2XK
111	111.4	46	PSB-2x60W-UNI-24VDC	PSB-100W-24VDC-2XK	92	PSB-2x96W-UNI-24VDC	PSB-100W-24VDC-2XK
113	113.8	47	PSB-2x60W-UNI-24VDC	PSB-100W-24VDC-2XK	94	PSB-2x96W-UNI-24VDC	PSB-100W-24VDC-2XK
116	116.2	48	PSB-2x60W-UNI-24VDC	PSB-100W-24VDC-2XK	97	PSB-2x96W-UNI-24VDC	PSB-100W-24VDC-2XK
118	118.6	49	PSB-2x60W-UNI-24VDC	PSB-100W-24VDC-2XK	98	PSB-2x96W-UNI-24VDC	PSB-100W-24VDC-2XK
120**	121	50	PSB-2x60W-UNI-24VDC	PSB-100W-24VDC-2XK	100	PSB-2x96W-UNI-24VDC	PSB-100W-24VDC-2XK
123	123.4	51	PSB-2x60W-UNI-24VDC	PSB-100W-24VDC-2XK			
125	125.8	52	PSB-2x60W-UNI-24VDC	PSB-100W-24VDC-2XK			
128	128.2	53	PSB-2x60W-UNI-24VDC	PSB-100W-24VDC-2XK			
130	130.6	54	PSB-2x60W-UNI-24VDC	PSB-100W-24VDC-2XK			
132	133.0	55	PSB-2x60W-UNI-24VDC	PSB-100W-24VDC-2XK			
135	135.4	56	PSB-2x60W-UNI-24VDC	PSB-100W-24VDC-2XK			

*Maximum Chrome Length **Maximum Shipping Length

PROJECT	FIXTURE TYPE	DATE
---------	--------------	------



CIRRUS CEILING WALL WASH WITH GLARE SHIELD

REMOTE POWER WITH TUNABLE WHITE



REV 08.17.21

Length Chart: Actual lengths for Cirrus Ceiling Wall Wash continued

ORDERING CODE (NOMINAL SIZE)	ACTUAL LENGTH	5W		
		5 WATTS PER FT	POWER SUPPLY	POWER SUPPLY
		WITH TWO DIMMERS: YOU NEED TWO UNI DRIVER POWER SUPPLIES, ONE FOR EACH KELVIN (SEE PAGES BELOW)	DMX POWER AND CDMX CONTROLLER: YOU NEED ONE POWER SUPPLY ONLY (SEE PAGES BELOW)	
137	137.8	57	PSB-2x60W-UNI-24VDC	PSB-100W-24VDC-2XK
140	140.2	58	PSB-2x60W-UNI-24VDC	PSB-100W-24VDC-2XK
142	142.6	59	PSB-2x60W-UNI-24VDC	PSB-100W-24VDC-2XK
144	145.0	60	PSB-2x96W-UNI-24VDC	PSB-100W-24VDC-2XK
147	147.4	61	PSB-2x96W-UNI-24VDC	PSB-100W-24VDC-2XK
149	149.8	62	PSB-2x96W-UNI-24VDC	PSB-100W-24VDC-2XK
152	152.2	63	PSB-2x96W-UNI-24VDC	PSB-100W-24VDC-2XK
154	154.6	64	PSB-2x96W-UNI-24VDC	PSB-100W-24VDC-2XK
156	157.0	65	PSB-2x96W-UNI-24VDC	PSB-100W-24VDC-2XK
159	159.4	66	PSB-2x96W-UNI-24VDC	PSB-100W-24VDC-2XK
161	161.8	67	PSB-2x96W-UNI-24VDC	PSB-100W-24VDC-2XK
164	164.2	68	PSB-2x96W-UNI-24VDC	PSB-100W-24VDC-2XK
166	166.6	69	PSB-2x96W-UNI-24VDC	PSB-100W-24VDC-2XK
168	169.0	70	PSB-2x96W-UNI-24VDC	PSB-100W-24VDC-2XK
171	171.4	71	PSB-2x96W-UNI-24VDC	PSB-100W-24VDC-2XK
173	173.8	72	PSB-2x96W-UNI-24VDC	PSB-100W-24VDC-2XK
176	176.2	73	PSB-2x96W-UNI-24VDC	PSB-100W-24VDC-2XK
178	178.6	74	PSB-2x96W-UNI-24VDC	PSB-100W-24VDC-2XK
180	181.0	75	PSB-2x96W-UNI-24VDC	PSB-100W-24VDC-2XK
183	183.4	76	PSB-2x96W-UNI-24VDC	PSB-100W-24VDC-2XK
185	185.8	77	PSB-2x96W-UNI-24VDC	PSB-100W-24VDC-2XK
188	188.2	78	PSB-2x96W-UNI-24VDC	PSB-100W-24VDC-2XK

ORDERING CODE (NOMINAL SIZE)	ACTUAL LENGTH	5W		
		5 WATTS PER FT	POWER SUPPLY	POWER SUPPLY
		WITH TWO DIMMERS: YOU NEED TWO UNI DRIVER POWER SUPPLIES, ONE FOR EACH KELVIN (SEE PAGES BELOW)	DMX POWER AND CDMX CONTROLLER: YOU NEED ONE POWER SUPPLY ONLY (SEE PAGES BELOW)	
190	190.6	79	PSB-2x96W-UNI-24VDC	PSB-100W-24VDC-2XK
192	193.0	80	PSB-2x96W-UNI-24VDC	PSB-100W-24VDC-2XK
195	195.4	81	PSB-2x96W-UNI-24VDC	PSB-100W-24VDC-2XK
197	197.8	82	PSB-2x96W-UNI-24VDC	PSB-100W-24VDC-2XK
200	200.2	83	PSB-2x96W-UNI-24VDC	PSB-100W-24VDC-2XK
202	202.6	84	PSB-2x96W-UNI-24VDC	PSB-100W-24VDC-2XK
204	205.0	85	PSB-2x96W-UNI-24VDC	PSB-100W-24VDC-2XK
207	207.4	86	PSB-2x96W-UNI-24VDC	PSB-100W-24VDC-2XK
209	209.8	87	PSB-2x96W-UNI-24VDC	PSB-100W-24VDC-2XK
212	212.2	88	PSB-2x96W-UNI-24VDC	PSB-100W-24VDC-2XK
214	214.6	89	PSB-2x96W-UNI-24VDC	PSB-100W-24VDC-2XK
216	217.0	90	PSB-2x96W-UNI-24VDC	PSB-100W-24VDC-2XK
219	219.4	91	PSB-2x96W-UNI-24VDC	PSB-100W-24VDC-2XK
221	221.8	92	PSB-2x96W-UNI-24VDC	PSB-100W-24VDC-2XK
224	224.2	93	PSB-2x96W-UNI-24VDC	PSB-100W-24VDC-2XK
226	226.6	94	PSB-2x96W-UNI-24VDC	PSB-100W-24VDC-2XK
228	229.0	95	PSB-2x96W-UNI-24VDC	PSB-100W-24VDC-2XK
231	231.4	96	PSB-2x96W-UNI-24VDC	PSB-100W-24VDC-2XK
233	233.8	97	PSB-2x96W-UNI-24VDC	PSB-100W-24VDC-2XK
236	236.2	98	PSB-2x96W-UNI-24VDC	PSB-100W-24VDC-2XK
238	238.6	99	PSB-2x96W-UNI-24VDC	PSB-100W-24VDC-2XK
240	241.0	100	PSB-2x96W-UNI-24VDC	PSB-100W-24VDC-2XK

PROJECT		FIXTURE TYPE		DATE	
---------	--	--------------	--	------	--

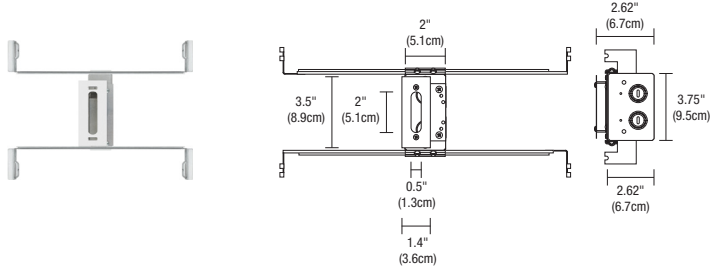
COMPONENTS J-box, Split Canopies, & Mounting Clips are included and sold separately for replacement

1" RECTANGLE CANOPY & J-BOX

(INCLUDED WITH 1R SELECTED IN FIXTURE ORDERING CODE)

The Slim-Profile Junction Box with Hanger Bars mounts to studs spaced between 14.5" and 25" apart behind drywall. Allows low voltage DC wires from Remote Power Supply to connect to channel wires.

The Junction Box opening is covered by the fixture for a clean, safe connection. Includes a Goof Plate, for poor plastering around J-box.

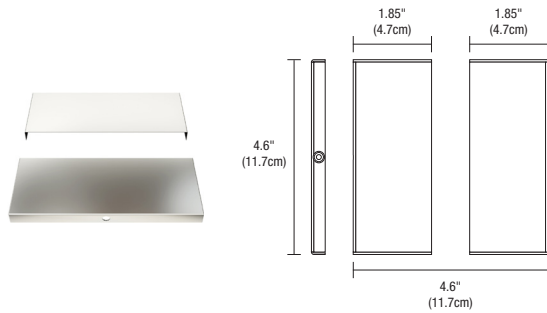


System	Canopy	Product
C	1RE	JBOX
C Channel	1RE 1" Rectangle	JBOX Junction Box

4" SQUARE SPLIT CANOPY

(INCLUDED WITH 4S SELECTED IN FIXTURE ORDERING CODE)

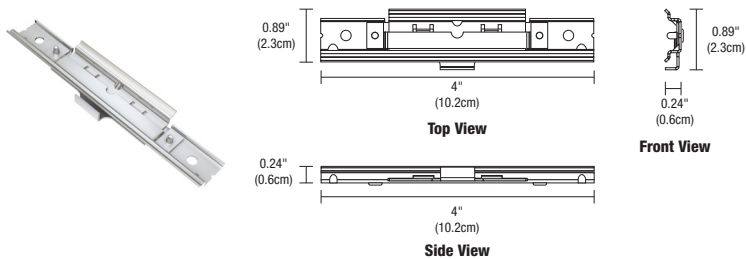
The 4" Square Canopy fits on a standard 4" electrical box with round plaster ring. It fits flush along channel while covering Junction Box. The Canopy may float anywhere along the channel and comes in six finishes.



System	Canopy	Finish
CC	4SQ	SN
CC Cirrus Ceiling	4SQ 4.6" Split Square	BK Satin Black BZ Antique Bronze CH Chrome SB Satin Brass SN Satin Nickel WH White

DRYWALL CEILING MOUNTING LOCKING CLIP (INCLUDED)

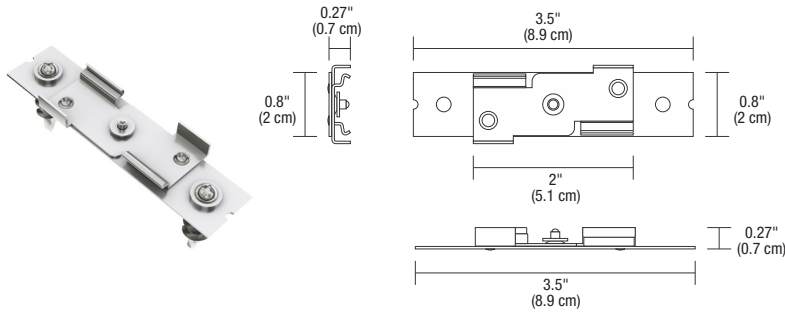
Drywall Ceiling Mounting Locking Clips are provided with every 2' of Cirrus Channel and may be ordered separately as replacement parts. The channel slides into the clip and locks in place staying securely fastened to the ceiling.



System	Canopy	Type
CC	MCL	L
CC Cirrus Ceiling	MCL Mounting Clip	L Locking

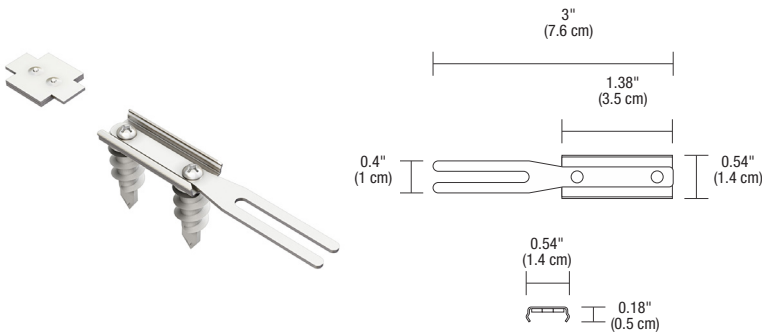
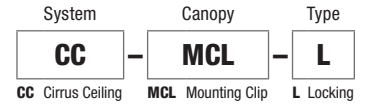
PROJECT	FIXTURE TYPE	DATE
---------	--------------	------

COMPONENTS J-box, Split Canopies, & Mounting Clips are included and sold separately for replacement



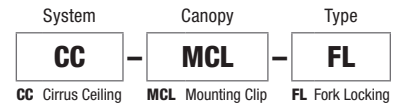
CEILING MOUNTING LOCKING CLIP (ORDER SEPARATELY)

Ceiling Mounting Locking Clips may be ordered separately for extra support. The channel slides into the clip and locks in place staying securely fastened to the ceiling or to the wall.



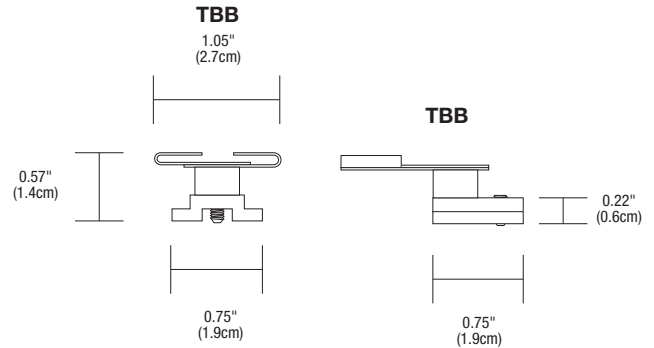
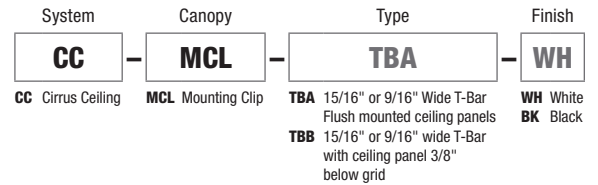
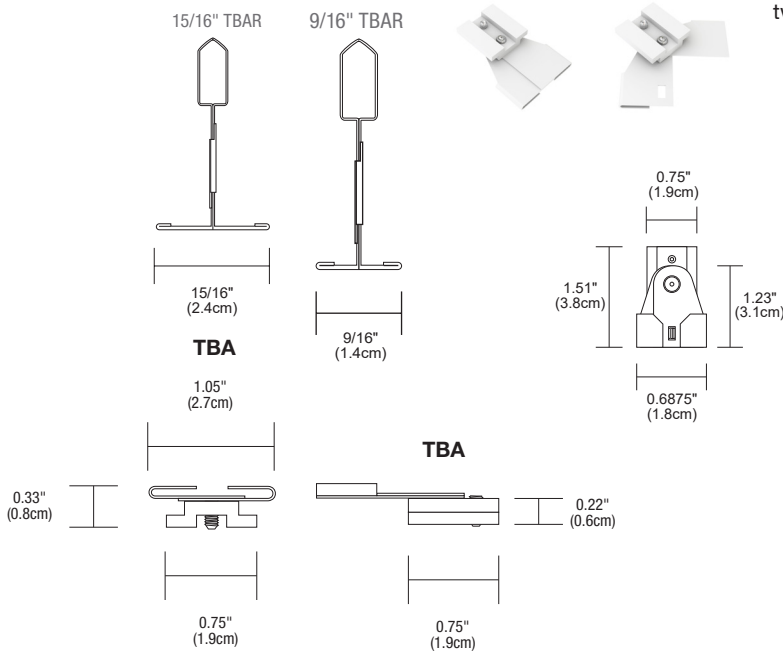
FORK LOCKING CLIP (ORDER SEPARATELY)

Fork locking clip for ceiling or wall Mounting. One locking Spring clip is provided with every Cirrus Channel. The channel slides into the Fork locking Clip keeping the fixture secure.



CEILING MOUNTING T-BAR CLIPS FOR 15/16" (ORDER SEPARATELY)

Mounts flush anywhere along the 15/16" or 9/16" T-Bar grid. Use one every two feet.



PROJECT		FIXTURE TYPE		DATE	
---------	--	--------------	--	------	--

INDOOR TUNABLE WHITE 0-10V 96 WATT LED POWER SUPPLY

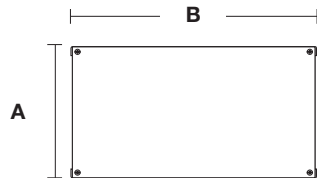
24VDC INDOOR CONSTANT VOLTAGE, TWO CHANNEL CONTROLS, FOR INTENSITY AND COLOR TEMPERATURE

DESIGNED BY GREGORY KAY | ASSEMBLED IN AMERICA

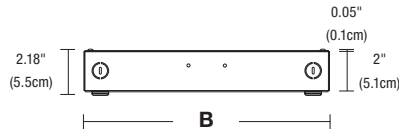
REV 08.17.21



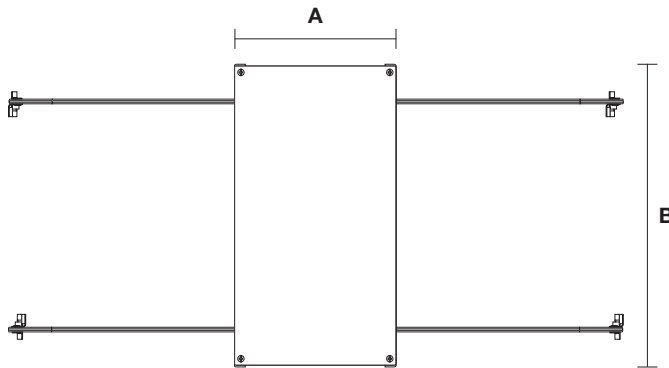
PSB-96W-010-24VDC-2XK



TOP VIEW



SIDE VIEW



PSB-96W-010-24VDC-2XK-TB
(T-BAR GRID CEILING)

STANDARD & T-BAR DIMENSIONS		
	A	B
PSB-96W-010-24VDC-2XK	6.48"	12.15"
PSB-2X96W-010-24VDC-2XK	10"	14"
PSB-3X96W-010-24VDC-2XK	13"	17"
PSB-4X96W-010-24VDC-2XK	13"	17"

DESCRIPTION

Accepts input voltage in a range of 120 - 277VAC and outputs 24VDC power up to 96 watts. The low voltage output dims down to 1% when two additional wires are connected to a 0-10V dimmer. The enclosure provides a space inside for electrical connections. In-Wall Power Supply Kit includes power supply, box cover and stud hangers. T-Bar Mounting Kit includes power supply, box cover, and T-bar hangers for installing Junction Box above ceiling with in easy reach. Comes with 4' of 14 gauge pair Teflon cables with quick secure connectors. Power Supply features short circuit, overload and over temperature protection.

APPLICATIONS

Indoor, Damp Location

MOUNTING

Surface mounted with conduit access

POWER INPUT

120-277VAC

POWER OUTPUT

Class 2; 24 volts DC 4A, up to 96 watts maximum

EFFICIENCY

90%

AMBIENT OPERATING TEMPERATURE

-25° C to 40° C

DIMMING

#1 Controls the intensity. #2 Controls the Color Temperature.
0-10V (dimmer needs to be capable to dim to 0% without ON/OFF switch)

DIMMING CURVE

Linear, Logarithmic 100% - 0% (HydraDrive)

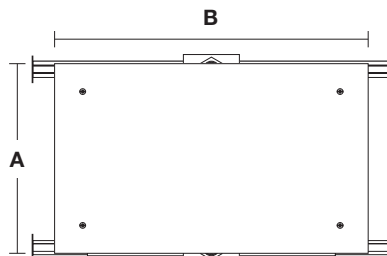
COMPLIANCE

Made in the USA, UL, CE, Title 28, Plenum for use in Accordance with UL 2043.
*Title 24 with JA8 listed PureEdge products and systems

Product	Wattage	Dimming	Voltage	Color Temperature	Options
PSB	96W	010	24VDC	2XK	STANDARD (Leave Blank)
PSB Power Supply with Enclosure Box with Tunable White 0-10V Controller	96W 96 Watts 2X96W 2x96 Watts 3X96W 3x96 Watts 4X96W 4x96 Watts	010 0-10 Volt Dimming	24VDC 24 Volt DC	2XK Tunable White	TB T-Bar Grid Ceiling IW* In-Wall Kit *96 watts only



PSB-96W-010-24VDC-2XK-IW

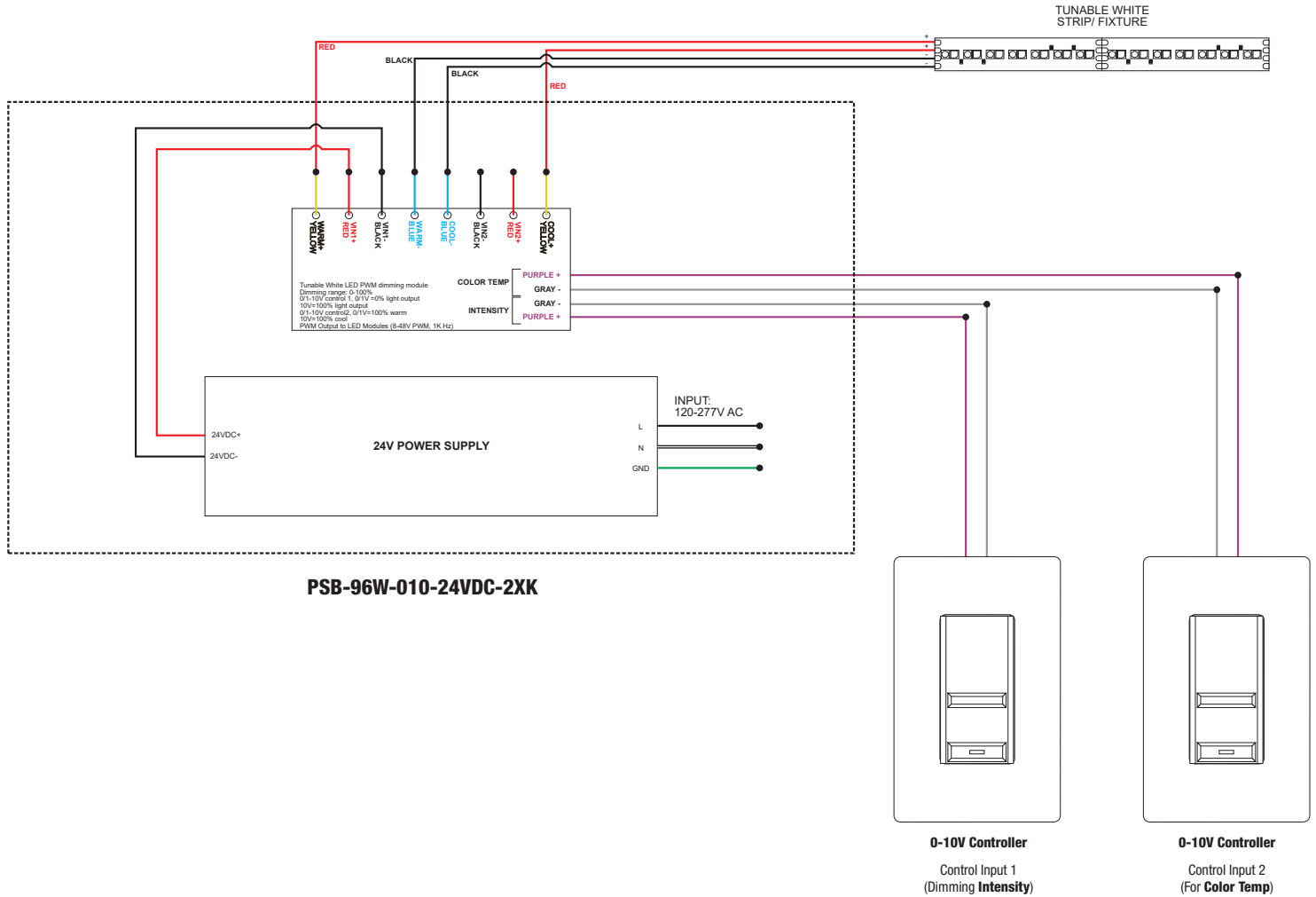


PSB-96W-010-24VDC-2XK-IW (IN WALL KIT)

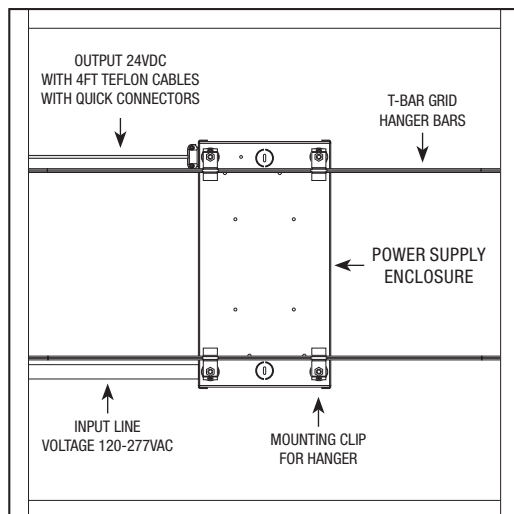
IN-WALL DIMENSIONS		
	A	B
PSB-96W-010-24VDC-2XK-IW	8.5"	14.25"

PROJECT	FIXTURE TYPE	DATE
---------	--------------	------

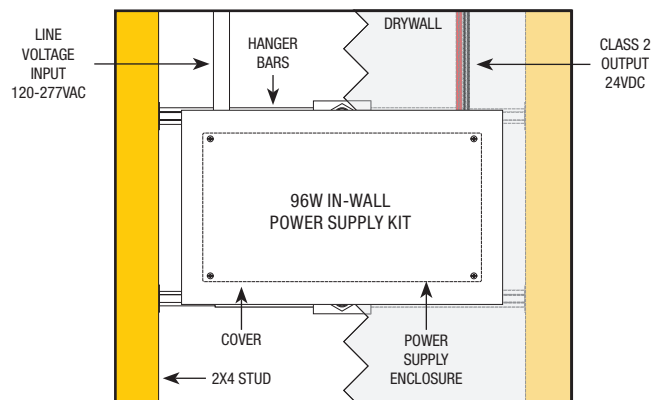
Application: 0-10V dimming for Tunable White LED Strip/Fixture



T-BAR GRID CEILING



IN WALL KIT

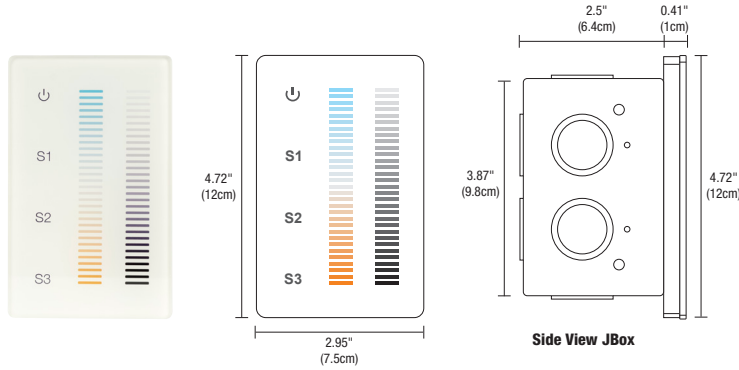


PROJECT		FIXTURE TYPE		DATE	
---------	--	--------------	--	------	--

TUNABLE WHITE DMX CONTROLLER AND POWER SUPPLIES

24VDC INDOOR CONSTANT VOLTAGE POWER SUPPLIES WITH DRIVERS

REV 08.17.21



DESCRIPTION:

The Tunable White Touch Controller offers fast and accurate Color Temperature adjustment and the ability to regulate the Brightness Independently. The modern Glass faceplate features illuminated indicators, and a back-lit night light that softly illuminates the controller when powered off. Designed for Tunable White, and dual-color LED installations within a single zone. The two Vertical Touch sliders are precise and sensitive, allowing you to fine-tune your perfect Color Temperature at any point between **2000K** (Sunset) to **6500K** (Daylight White) while selecting over 250 levels of Brightness in a smooth, uninterrupted transition. Create Thousands of White Color Combinations while maintaining even Brightness and overall saturation. Easily save three pre-set scenes for different times of the day. Support health, performance, and general well-being using Human-Centric lighting by fine-tuning the biological effects that light has on the circadian cycle using the latest in LED technology. Includes a power adapter that fits behind the controller within a standard junction box and fits inside a standard single-gang receptacle (not for use in a multi-gang box). Use with an insulated, 24 AWG stranded, tinned copper wire (Belden #9841). Power Supplies are Sold Separately. Includes a 5 year pro-rated warranty.

APPLICATIONS:

Indoor

OUTPUT SIGNAL:

USITT DMX 512 (1990)

INSTALLATION:

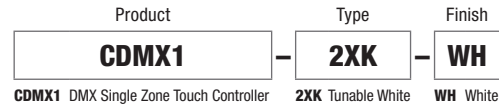
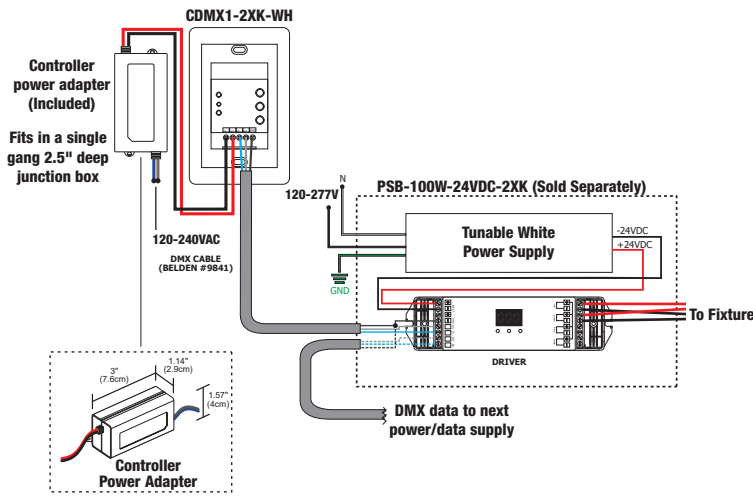
Fits in a single gang 2.5" deep junction box. Not compatible with multi-gang boxes.

LABELS:

ROHS, FCC, Damp Location, ETL/UL

POWER INPUT:

120-240VAC

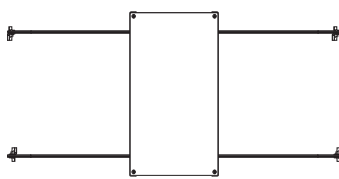


COLOR CHANGING (DMX) POWER SUPPLIES

ORDERING CODE	PSB-100W-24VDC-2XK	PSB-2X100W-24VDC-2XK	PSB-3X100W-24VDC-2XK	PSB-4X100W-24VDC-2XK
SPECIFICATIONS				
MAXIMUM LOAD OF LED STRIP LENGTH	100W 5 WATTS - 20FT MAX. 10 WATTS - 10FT MAX.	2X100W 5 WATTS 2 X 20FT MAX. 10 WATTS - 2 X 10FT MAX.	3X100W 5 WATTS 3 X 20FT MAX. 10 WATTS - 3 X 10FT MAX.	4X100W 5 WATTS 4 X 20FT MAX. 10 WATTS - 4 X 10FT MAX.
INPUT VOLTAGE	120-277VAC	120-277VAC	120-277VAC	120-277VAC
OUTPUT VOLTAGE	24VDC	24VDC	24VDC	24VDC
DIMENSIONS	12.4" X 6.48" X 2.18"	14" X 10" X 3"	17" X 10" X 3"	17" X 10" X 3"
CLASSIFICATION	CLASS 2	CLASS 2	CLASS 2	CLASS 2
T-BAR MOUNTING	PSB-100W-24VDC-2XK-TB	PSB-2X100W-24VDC-2XK-TB	PSB-3X100W-24VDC-2XK-TB	PSB-4X100W-24VDC-2XK-TB
IN-WALL MOUNTING	PSB-100W-24VDC-2XK-IW	NA	NA	NA
DMX TUNABLE WHITE DIMMING & CONTROLS				
TUNABLE WHITE TOUCH CONTROLLER (CDMX1-2XK)	•	•	•	•

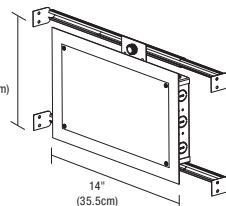
- Flicker free dimming
- Aluminum casing for optimal heat dissipation
- Isolated output power per NEC and UL safety requirements
- UL & ETL recognized/ listed, meets UL 8750, 1310 requirements

- Auto-reset; short circuit, overload and thermal protection
- Class 2 power supply
- Efficient, High power factor > 0.90



T-BAR Mounting Kit: Includes power supply, box cover, and T-bar hangers for installing Junction Box above ceiling with in easy reach. Comes with 4ft of 14 gauge pair Teflon cables with quick secure connectors.

Ordering Codes:
 PSB-100W-24VDC-2XK-TB
 PSB-2x100W-24VDC-2XK-TB
 PSB-3x100W-24VDC-2XK-TB
 PSB-4x100W-24VDC-2XK-TB



8.5" x 14" In-Wall Mounting Kit: Includes power supply, box cover and stud hangers for installing Junction Box in wall. Select "IW" in the options section of compatible power supply ordering codes if an In-Wall Mounting Kit is needed.

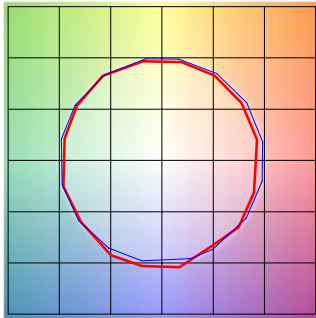
Ordering Codes:
 PSB-100W-24VDC-2XK-IW

PROJECT	FIXTURE TYPE	DATE
---------	--------------	------

TM-30-15 DATA: The data below is for Cirrus Ceiling Wall Wash. Consistent color temperatures throughout a single strip and among multiple strips is possible through a 3 phase binning process in which each order is inspected with a color meter to ensure uniformity.

2000K (2K6K) | Rf: 90.6 | Rg: 98.5

Color Vector Graphic

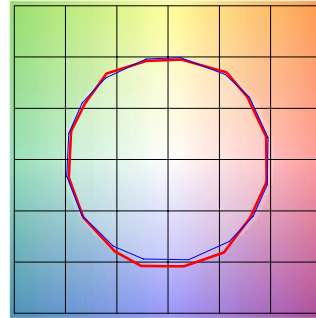


■ Test ■ Reference

HUE BIN	Rf	GRAPHIC SHIFTS %	
		CHROMA	HUE
1	87.7	-5.5%	1.2%
2	88.7	-3.9%	4.2%
3	90.5	-1.5%	4.3%
4	95.0	-1.7%	0.8%
5	95.2	-0.2%	2.1%
6	94.2	1.6%	1.9%
7	95.9	-0.8%	-2.2%
8	95.5	-1.7%	1.3%
9	93.8	-1.4%	2.6%
10	91.9	-0.7%	4.2%
11	91.3	3.6%	3.7%
12	91.2	4.2%	-1.0%
13	86.6	3.8%	-12.7%
14	67.2	-3.0%	-16.3%
15	84.9	-3.3%	-9.4%
16	84.2	-5.7%	-7.5%

3000K (2K6K) | Rf: 90.5 | Rg: 100.7

Color Vector Graphic

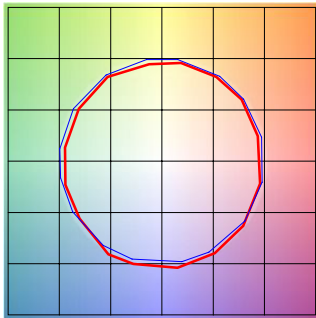


■ Test ■ Reference

HUE BIN	Rf	GRAPHIC SHIFTS %	
		CHROMA	HUE
1	91.5	-3.5%	1.2%
2	92.4	-1.8%	2.7%
3	89.8	0.3%	4.5%
4	92.4	-1.7%	0.4%
5	93.3	-0.1%	1.4%
6	94.5	2.1%	-0.6%
7	91.0	-2.5%	0.3%
8	96.9	-0.8%	-0.2%
9	91.6	-0.9%	4.6%
10	86.7	0.7%	7.8%
11	86.3	3.8%	8.5%
12	88.3	6.1%	0.6%
13	90.9	3.1%	-5.2%
14	87.3	4.7%	-7.9%
15	92.1	-1.9%	-2.5%
16	84.5	-0.9%	-10.9%

4000K (2K6K) | Rf: 86.4 | Rg: 96.1

Color Vector Graphic

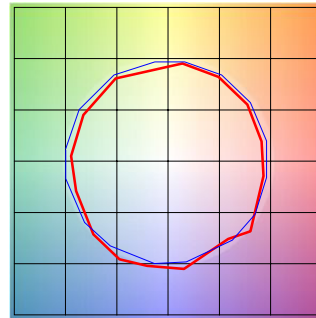


■ Test ■ Reference

HUE BIN	Rf	GRAPHIC SHIFTS %	
		CHROMA	HUE
1	86.5	-5.5%	1.3%
2	90.4	-3.0%	2.3%
3	89.8	-2.1%	3.6%
4	89.1	-3.4%	0.4%
5	88.5	-5.9%	0.1%
6	93.6	-3.0%	-0.4%
7	88.9	-6.2%	1.7%
8	87.3	-5.0%	4.9%
9	82.4	-3.6%	11.3%
10	77.4	-1.8%	12.7%
11	79.8	4.9%	11.4%
12	88.7	4.4%	2.7%
13	88.7	4.0%	-5.1%
14	91.2	2.2%	-3.8%
15	82.7	-0.1%	-9.2%
16	82.8	-2.2%	-7.6%

6500K ONLY (27K6) | Rf: 86.8 | Rg: 96.8

Color Vector Graphic



■ Test ■ Reference

HUE BIN	Rf	GRAPHIC SHIFTS %	
		CHROMA	HUE
1	86.5	-4.7%	0.8%
2	91.9	-2.5%	3.1%
3	91.2	-2.0%	1.9%
4	91.2	-1.6%	1.4%
5	85.7	-6.2%	-0.9%
6	92.9	-3.5%	-1.0%
7	92.1	-4.7%	0.7%
8	85.2	-5.8%	4.9%
9	82.8	-6.2%	14.3%
10	77.1	-0.7%	15%
11	72.1	5.8%	14.1%
12	91.6	4.0%	1.0%
13	89.9	5.6%	-2.3%
14	90.5	-1.8%	-3.7%
15	81.6	6.5%	-13.9%
16	92.8	-3.6%	-0.4%

PROJECT	FIXTURE TYPE	DATE
---------	--------------	------