



1718 W. Fullerton Chicago, IL 60614
 Ph: 773.770.1195 • Fax: 773.935.5613
 www.PureEdgeLighting.com • info@PureEdgeLighting.com
 © 2016 PureEdge Lighting. All Rights Reserved.

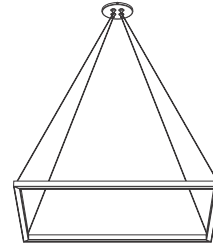
Installation Instructions for Cirrus MIYO Rectangle Lit Corners LED Suspension with Power

CSD_P-RE_-C_

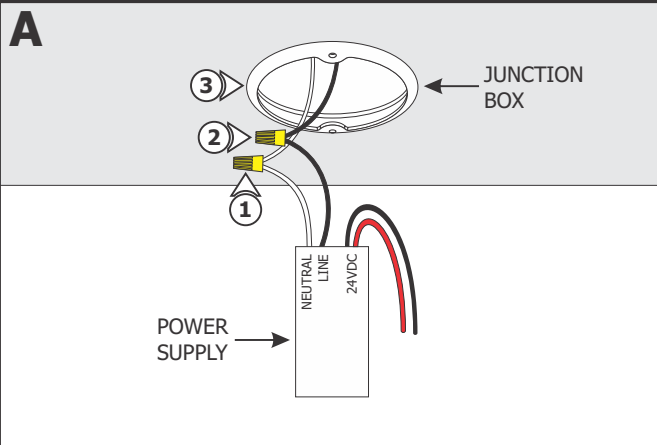
IMPORTANT INFORMATION

- This product is suitable for indoor locations.
- This instruction shows a typical installation.
- The luminaire either comes with a 4" flush canopy for the fixtures up to 50W or with an 8" round surface mount canopy for greater than 50W.

SAVE THESE INSTRUCTIONS!



Section One: 4" Flush Canopy



NOTE: Before beginning any electrical work, ensure that power to the junction box is turned off.

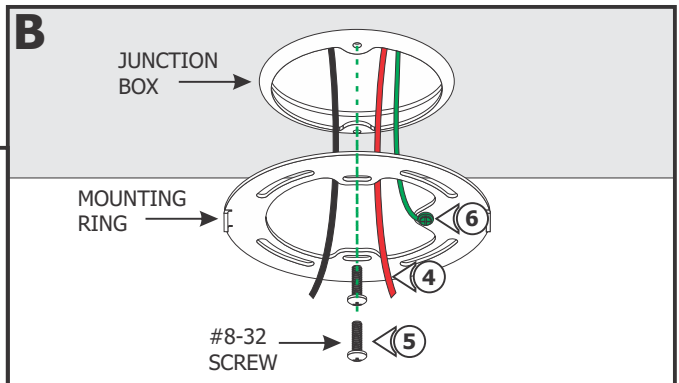
NOTE: Omit this section if using the 8" Surface Mount Canopy. Refer to Section Two.

- 1: Connect the white wire of the power supply to the 120VAC neutral wire with a wire nut.
- 2: Connect the black wire of the power supply to the 120VAC line wire with a wire nut.
- 3: Place the power supply and wires inside the junction box.

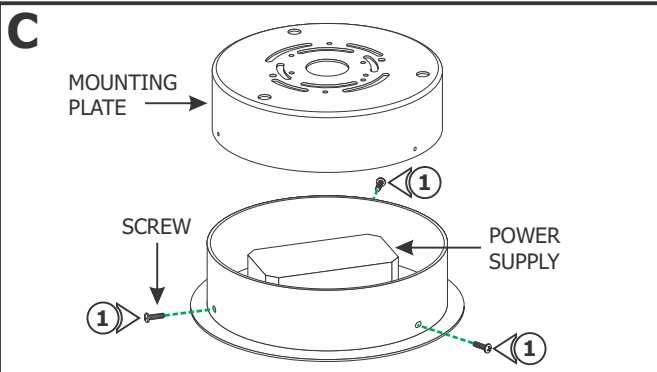
4: Feed the low voltage wires from the power supply through the center hole of the mounting ring.

5: Mount the ring to the junction box holes with two #8-32 screws.

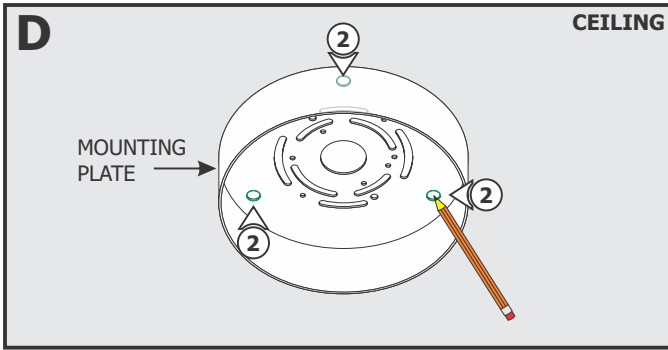
6: Make sure that the mounting ring is grounded in accordance with local electrical codes.



Section Two: 8" Surface Mount Canopy



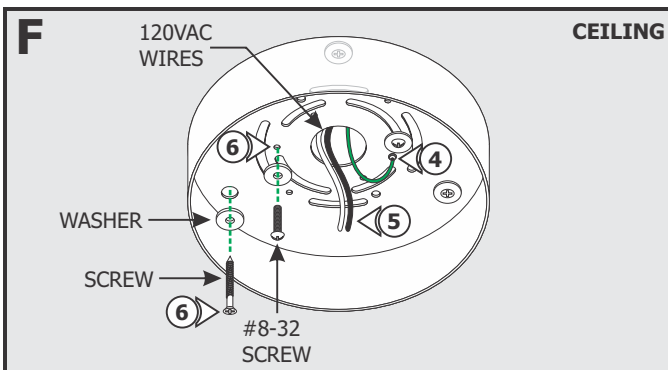
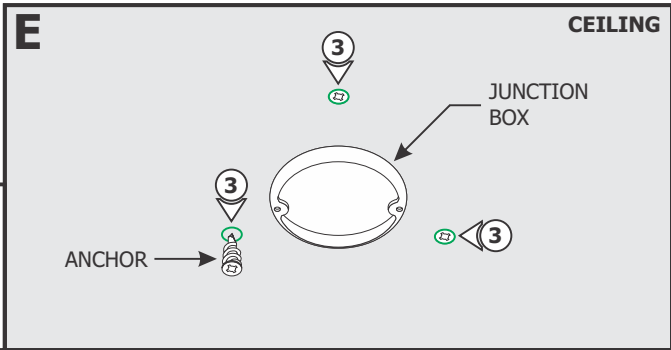
- 1: Remove the three Phillips screws from the canopy to remove the mounting plate.



2: Align the mounting plate holes with the junction box holes and mark the points through the mounting plate holes onto the ceiling. These points are used for the anchors.

NOTE: Omit step 3 if mounting directly to a wood surface.

3: Tap the anchors onto the marked points up to the threaded portion with a hammer. Then screw in the threaded portion with a Phillips screw driver.

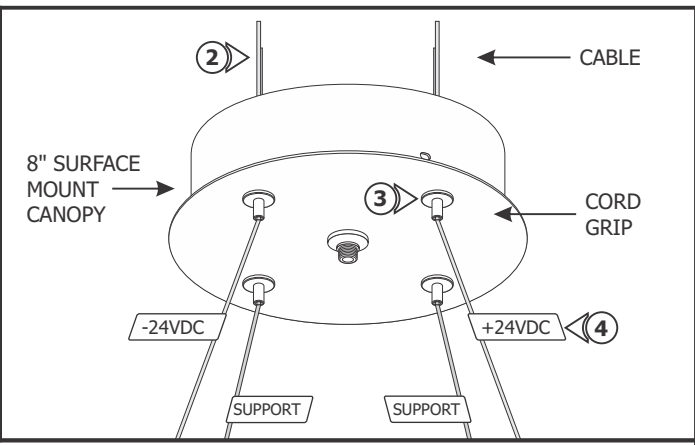
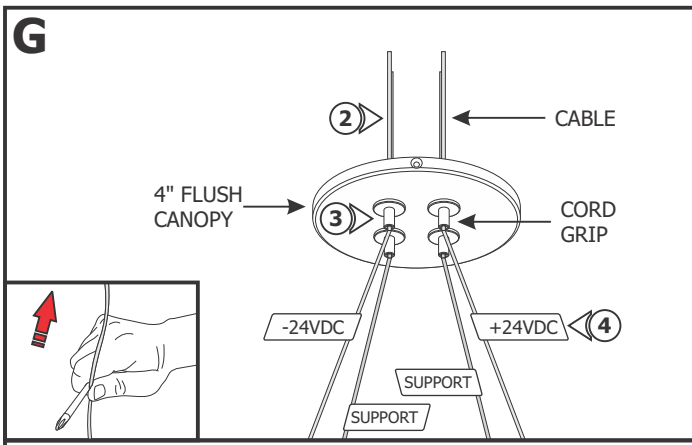


4: Make sure the mounting plate is grounded in accordance with local electrical codes.

5: Feed the 120VAC power wires through the center hole of the mounting plate.

6: Secure the mounting plate to the junction box and anchors using the provided screws and washers.

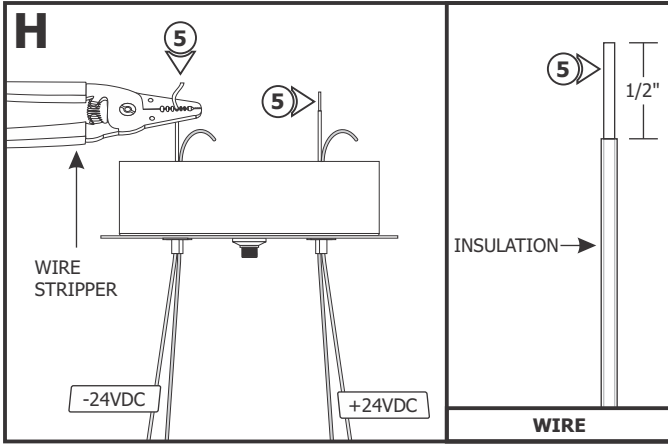
Section Three: Install the Fixture



NOTE: If wire is curled or kinked, straighten by holding between the shaft of a screwdriver and thumb and pulling the wire through (see inset).

- 1:** Determine the fixture height from the bottom of the channel to the top of the canopy.
- 2:** Push each cable through the cord grips on the canopy.
- 3:** Adjust the fixture height by pushing the cord grip to slide the fixture up and down. Release the cord grip to lock the cable in place.
- 4:** Identify the power cables which are marked with a "+24VDC" and "-24VDC" labels.

NOTE: The wires with "SUPPORT" labels are the support wires. **DO NOT** strip and power the support wires.

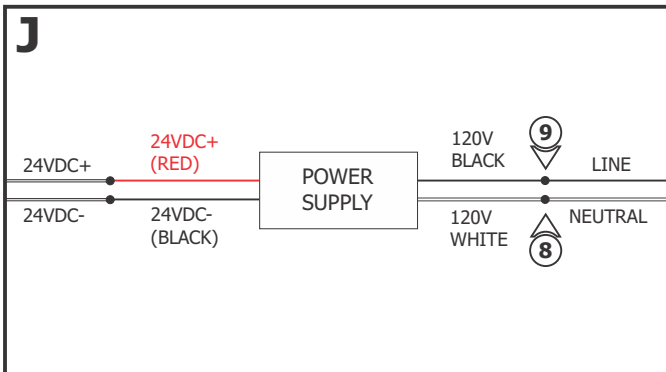
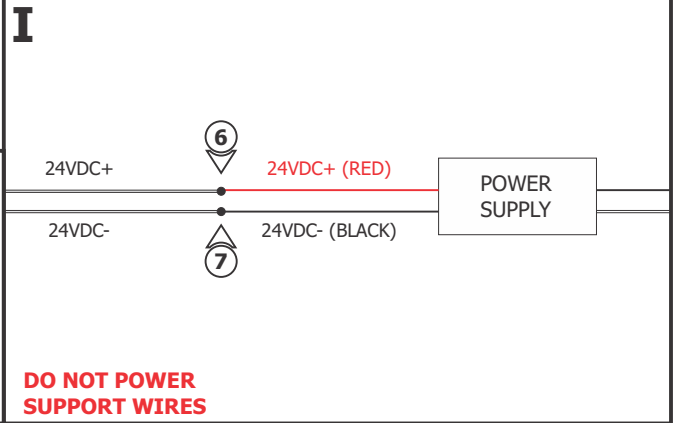


5: Use the #16 gauge hole of the AWG wire strippers to strip 1/2" of the outer plastic insulation from the power wires only.

For Both 4" Flush Canopy and 8" Surface Mount Canopy:

- 6:** Connect the wire marked +24VDC to the +24VDC red power supply wire with a wire nut.
- 7:** Connect the wire marked -24VDC to the -24VDC black power supply wire with a wire nut.

CAUTION: Test the fixture before removing the labels.

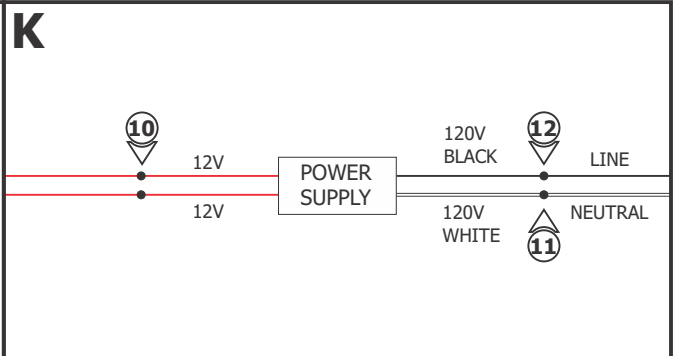


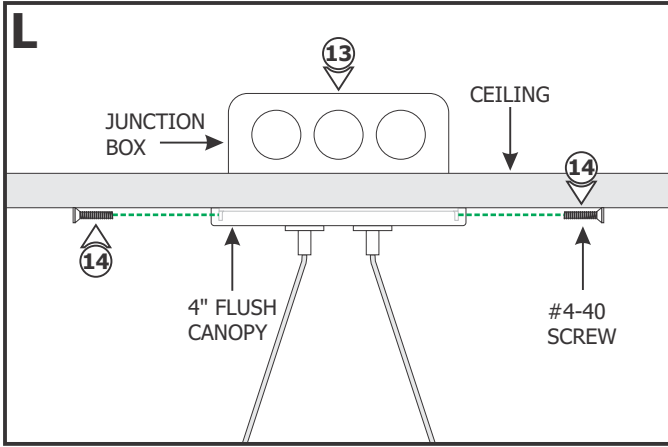
For 8" Surface Mount Canopy:

- 8:** Connect the 120VAC neutral wire to the 120V white wire of the power supply using a wire nut.
- 9:** Connect the 120VAC line to the 120V black wire of the power supply using a wire nut.

For Models Configured with Fast Jack Port:

- 10:** Connect each low voltage red wire from the power supply to each red wire of the Fast Jack connector using a wire nut.
- 11:** Connect the neutral power wire from another 120VAC circuit to the 120V white wire of the power supply with a wire nut.
- 12:** Connect the line wire from the same 120VAC circuit to the 120V black wire of the same power supply with a wire nut.



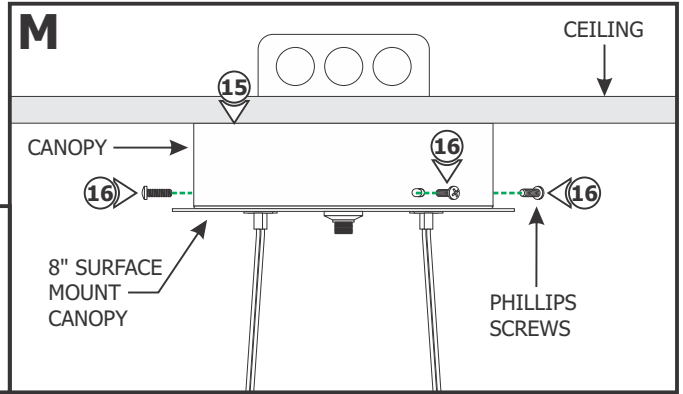


For 4" Flush Canopy:

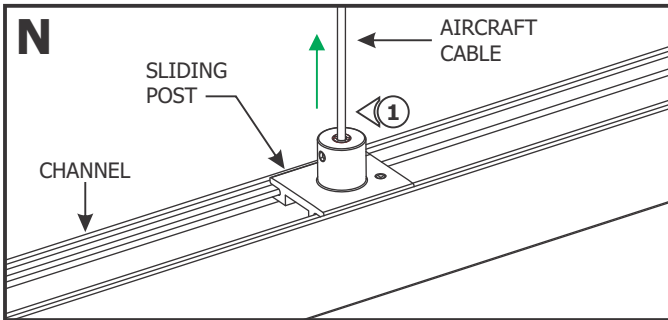
- 13:** Place all wires and wire nut connections inside the junction box.
- 14:** Align the canopy with the mounting ring and secure it with the two #4-40 screws using a 1/16" Allen wrench.

For 8" Round Canopy:

- 15:** Place all wires and wire nut connections inside the canopy.
- 16:** Align and secure the canopy to the mounting plate by tightening the three Phillips screws.



Section Four: Install the Middle Support

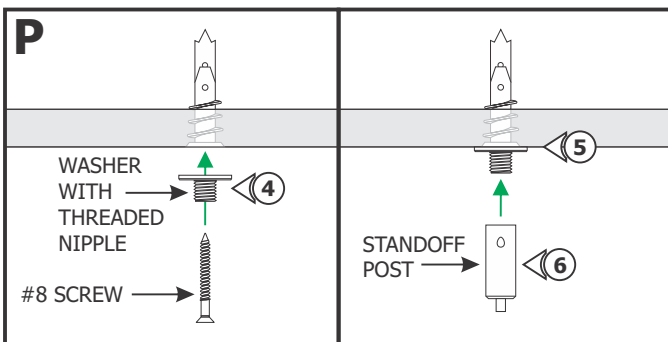
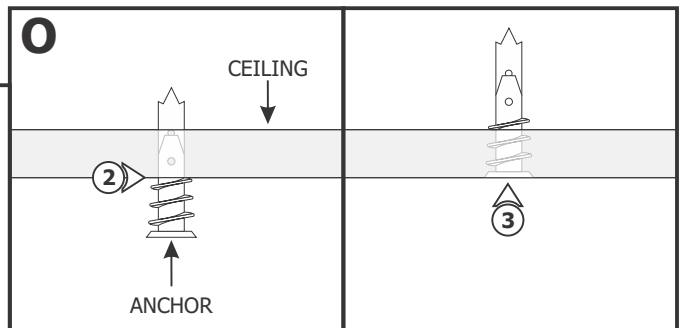


NOTE: Omit this section if the sides of the fixture are less than 72" or do not come with support cables in the middle of the channels.

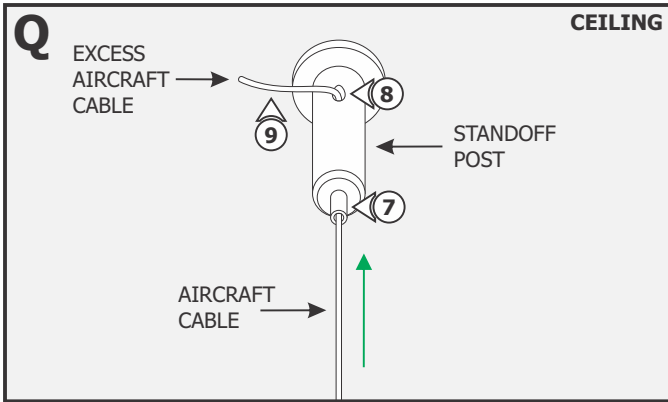
- 1:** Lift the end of the aircraft cable coming from the sliding post against the ceiling to mark the location of the standoff.

NOTE: Omit steps 2 and 3 if mounting directly to a wood surface.

- 2:** Tap the anchor onto the marked location up to the threaded portion with a hammer.
- 3:** Screw in the threaded portion of the anchor with a Phillips screwdriver.

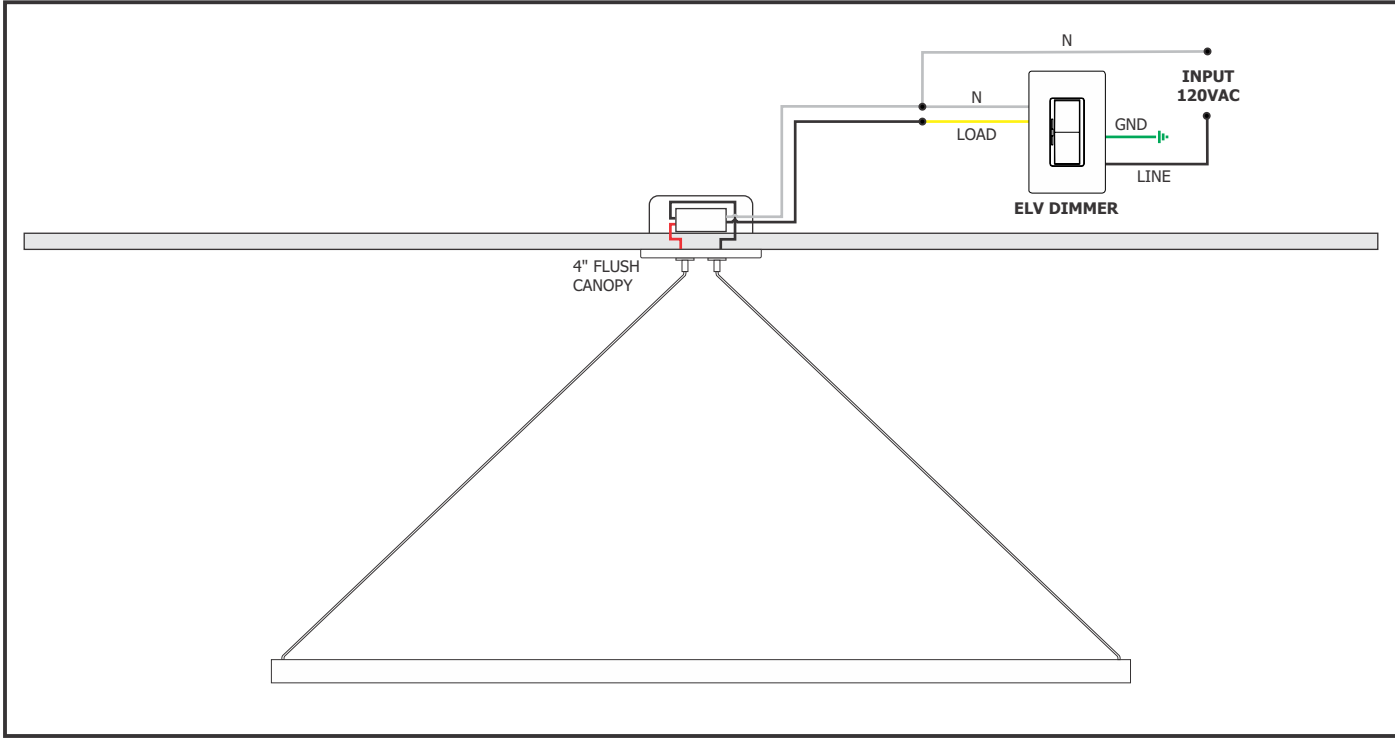


- 4:** Feed the #8 screw through the washer with threaded nipple into the anchor.
- 5:** Tighten the #8 screw completely into the anchor.
- 6:** Tighten the standoff post completely onto the threaded nipple.



- 7:** Feed the aircraft cable coming from the fixture through the standoff post.
- 8:** Push the cord grip and pull the aircraft cable out of the side of the standoff post. Release the cord grip to secure the aircraft cable in place.
- 9:** If necessary, trim excess aircraft cable using sharp cutters.
- 10:** Repeat steps 1 through 9 for the remaining supports on the other sides of the fixture.

General Wiring Diagram



General Wiring Diagram

