



1718 W. Fullerton Chicago, IL 60614
 Ph: 773.770.1195 • Fax: 773.935.5613
 www.PureEdgeLighting.com • info@PureEdgeLighting.com
 © 2016 PureEdge Lighting. All Rights Reserved.

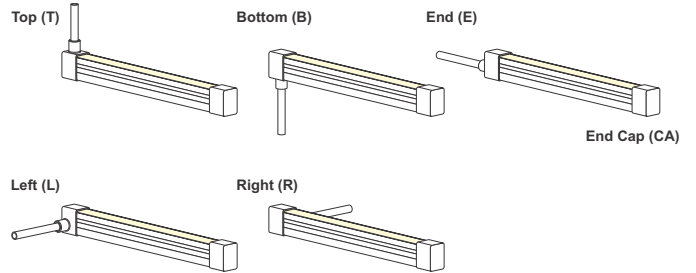
Installation Instructions for Flex Neon LRF5 24VDC Outdoor Wet Location

FN-LRF5-__

IMPORTANT INFORMATION

- This instruction shows a typical installation.
- The Outdoor Flex Neon is an IP65 rated wet location fixture featuring water tight barrel connections.
- This product bends right to left or left to right.

SAVE THESE INSTRUCTIONS!



Section One: Install the Flex Neon

A SURFACE

MOUNTING CLIP

MAX 12"

2

NOTE: Omit this Section if using Exterior Track. Refer to Section Three.

1: Determine the location for the Flex Neon.

2: Mark the location of the mounting clips. Mounting clips must be maximum 12" apart from each other (measure from the center of the mounting clip).

3: Secure the mounting clips to a wood surface by tightening the screws to each clip.

B

3

3

SCREW

MOUNTING CLIP

SURFACE

C

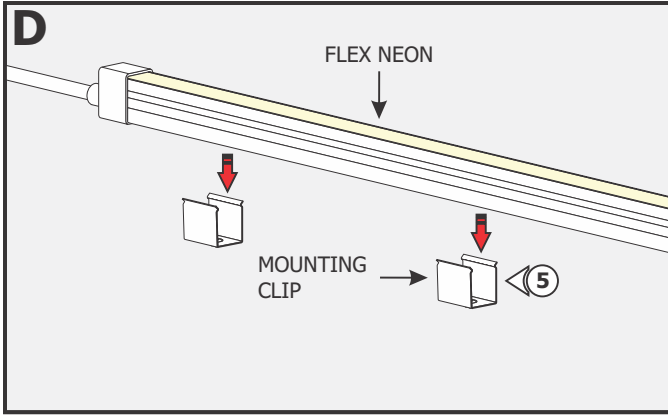
FLEX NEON

4

LEFT

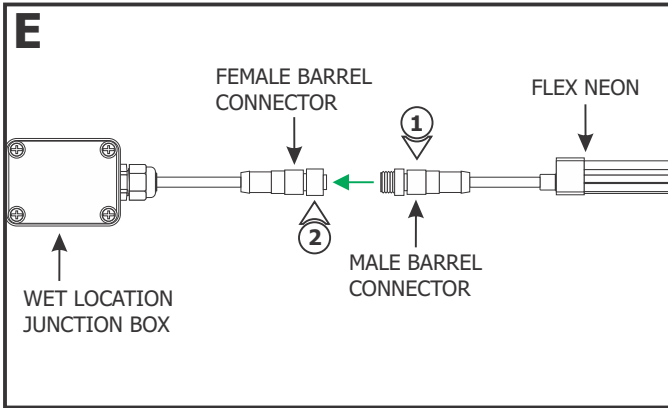
RIGHT

4: If necessary, bend the Flex Neon **ONLY** right to left or left to right.



5: Insert the Flex Neon into each mounting clip.

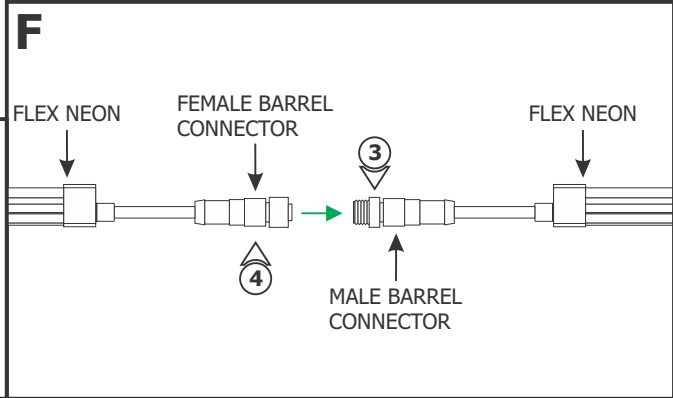
Section Two: Connect to Power



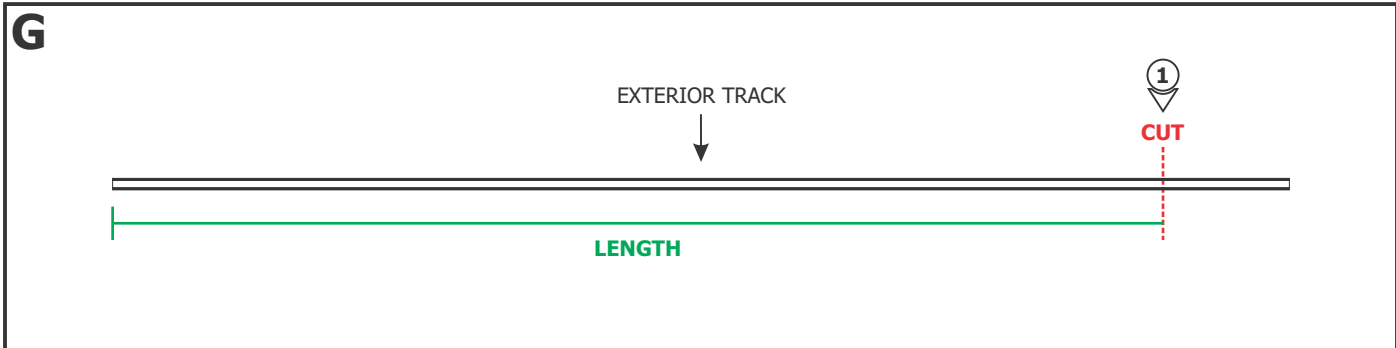
NOTE: Outdoor electrical connections must be made inside a waterproof junction box or using waterproof wire nut connections.

- 1:** Align and push the male barrel connector of the Flex Neon into the female barrel connector going to the power supply.
- 2:** Twist the connector nut to lock in place.

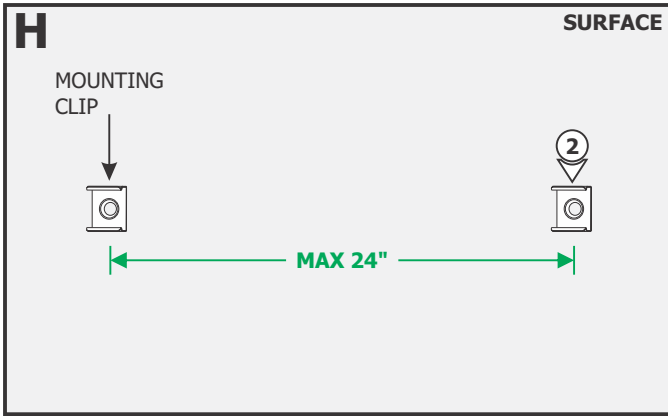
- 3:** To connect additional Flex Neon, align and push the female connector barrel of one Flex Neon into the male barrel connector barrel of the next one.
 - 4:** Twist the connector nut to lock in place. Repeat for any additional sections.
- NOTE:** Ensure that additional Flex Neon are properly supported and powered.



Section Three: Install the Flex Neon with Exterior Track

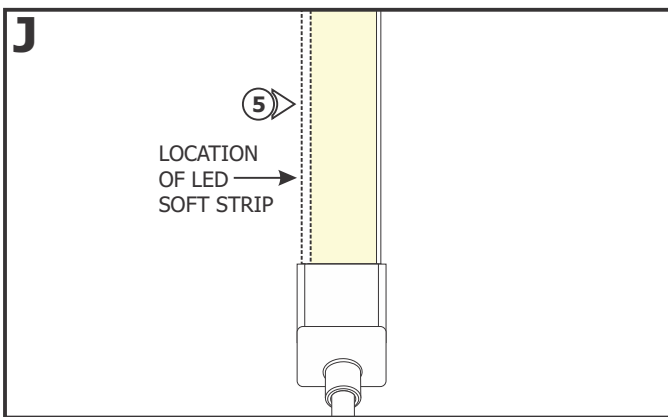
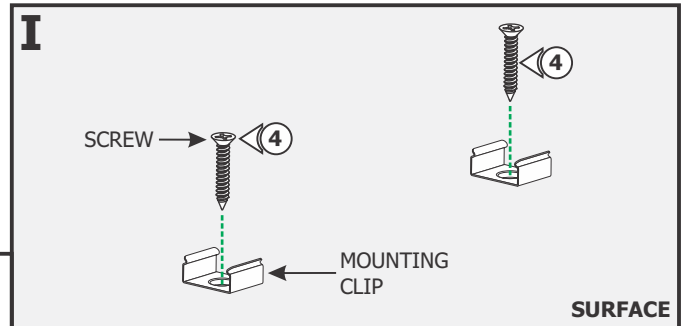


1: If necessary measure and cut **ONLY** the Exterior Track to length.



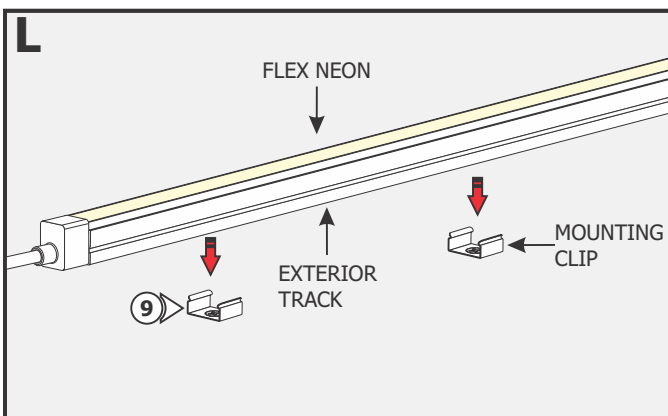
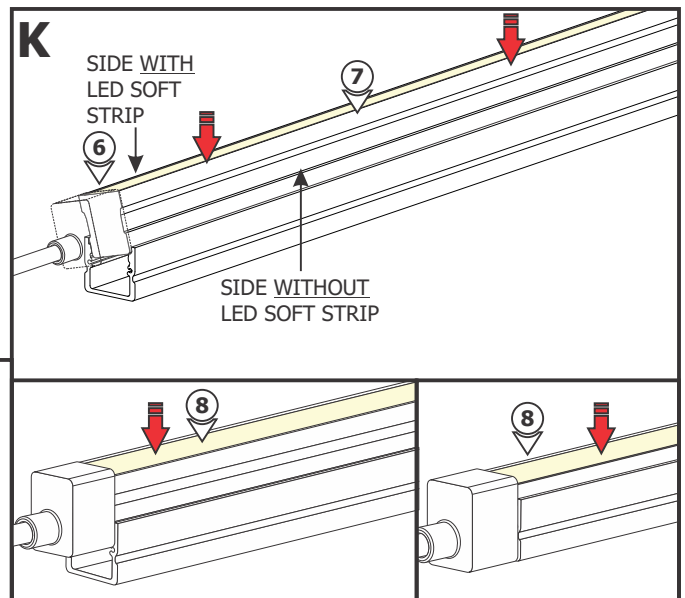
- 2:** Determine the location for the Exterior Track.
- 3:** Mark the location of the mounting clips evenly on a straight line. Mounting clips must be maximum 24" apart from each other (measure from the center of the mounting clip).

- 4:** Secure the mounting clips to a wood surface by tightening the screw to each clip.



- 5:** Identify the thicker side of the Flex Neon that indicates the location of the LED Soft Strip.

- 6:** Place the side with LED Soft Strip on an angle on top of the Exterior Track.
- 7:** Slightly push down the side without LED Soft Strip inside the Exterior Track.
- 8:** Carefully push the Flex Neon completely inside the Exterior Track, leaving the end cap outside of the Exterior Track.



- 9:** Snap the Exterior Track into each mounting clip.
- 10:** Refer to Section Two to connect to power.

General Wiring Diagram

