



1718 W. Fullerton Chicago, IL 60614
 Ph: 773.770.1195 • Fax: 773.935.5613
 www.PureEdgeLighting.com • info@PureEdgeLighting.com
 © 2016 PureEdge Lighting. All Rights Reserved.

Installation Instructions for T-Bar Ceiling FreeForm Matte White & Deep Cell Lens, 24VDC - Remote Power

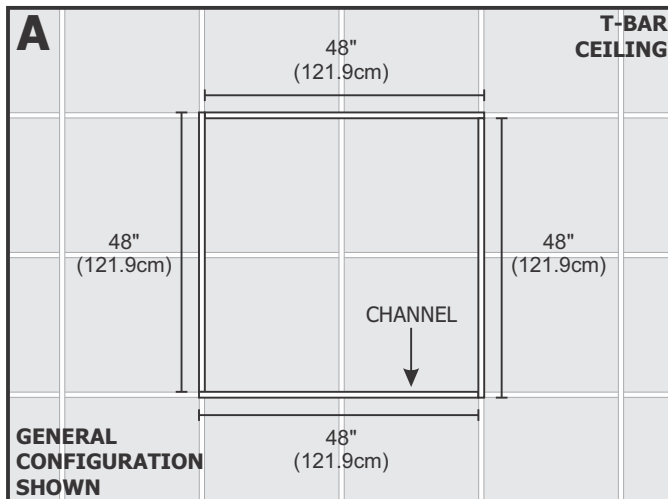
CF _ _ -TB _ _

IMPORTANT INFORMATION

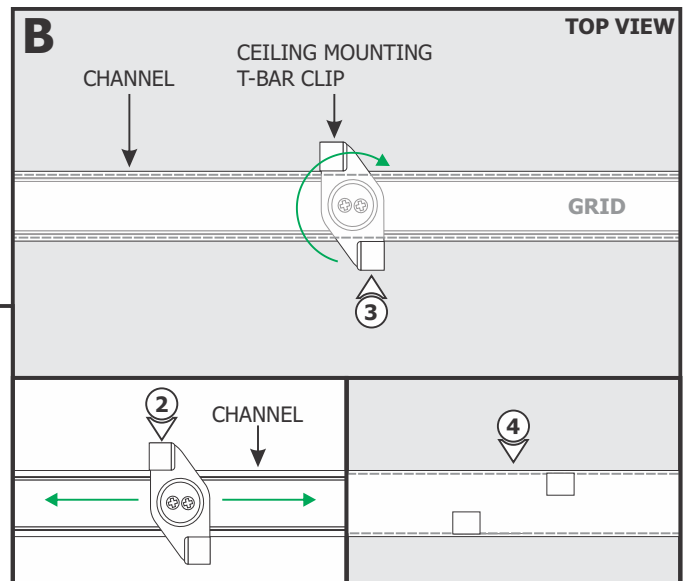
- This instruction shows a typical installation.
- This product mounts on T-Bar grid ceilings.
- It is recommended more than one person to assist in this installation.

SAVE THESE INSTRUCTIONS!

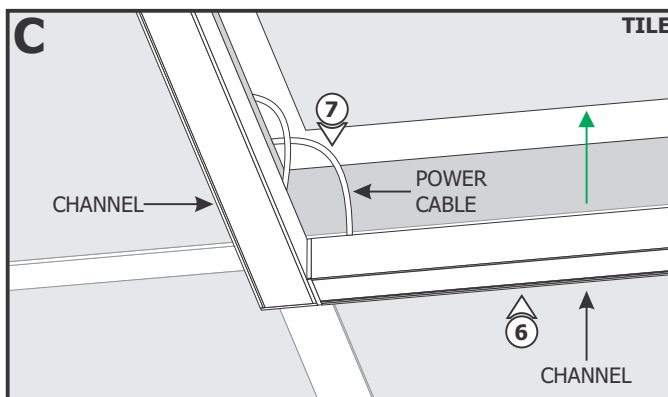
Section One: Install the Fixture



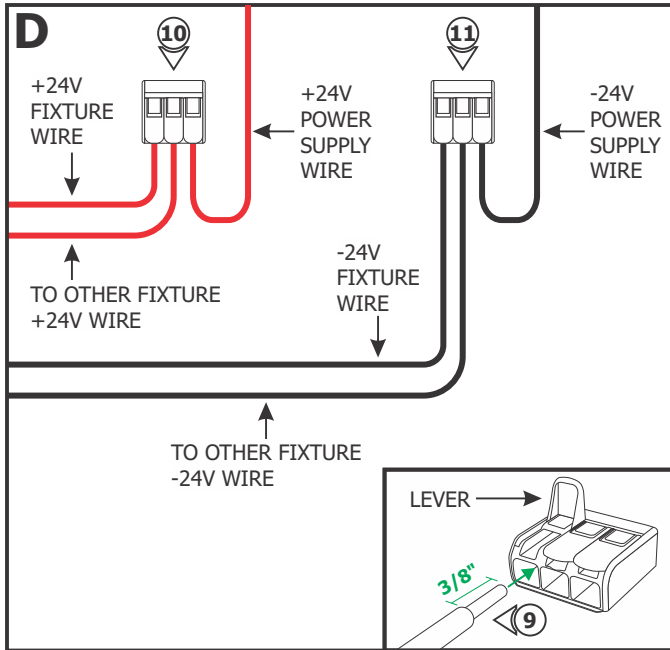
- 1:** Lay out all channels on the floor as a guide to determine where the system will be located on the T-Bar Ceiling.



- 2:** Adjust the position of the Ceiling Mounting T-Bar Clip on the channel and align the channel with the ceiling grid.
- 3:** Make sure the T-Bar Clip is rotated perpendicular to the grid before placing the channel over the grid.
- 4:** Twist the T-Bar clip arms to secure in place.
- 5:** Repeat for the other Ceiling Mounting T-Bar Clips.



- 6:** Continue to install additional channels one at a time until the system is complete.
- 7:** Lift the ceiling tile and route the power cable from each fixture to the remote power supply(ies). If necessary, drill out the edge of the tile slightly. Refer to the instructions provided with the power supplies.
- 8:** Replace the ceiling tile.



NOTE: Depending on the rated wattage of the individual fixtures, the fixtures would share a power supply or be powered individually. When sharing a power supply among fixtures, make sure they are connected in parallel to the output of the power supply.

- 9:** Strip 3/8" off of the fixture power wires and the 24VDC power supply wires.
- 10:** Pull up the levers of one lever nut and insert the +24VDC power supply wire and the +24VDC red fixture wire. Push the levers down to connect and lock in place.
- 11:** Pull up the levers of the second lever nut and insert the -24VDC power supply wire and the -24VDC black fixture wire. Push the levers down to connect and lock in place.
- 12:** Lightly tug on the wires to ensure they are secured in place.

General Wiring Diagram

