



1718 W. Fullerton Chicago, IL 60614
 Ph: 773.770.1195 • Fax: 773.935.5613
 www.PureEdgeLighting.com • info@PureEdgeLighting.com
 © 2016 PureEdge Lighting. All Rights Reserved.

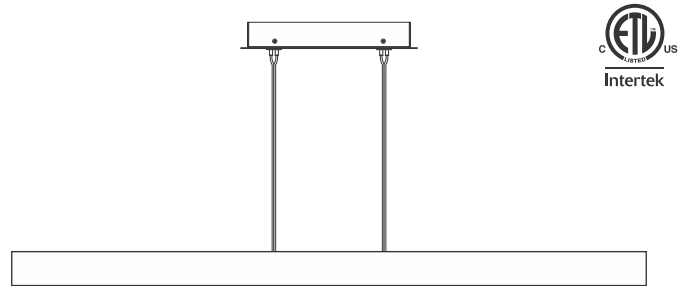
Installation Instructions for **Glide Up/Down - Center Feed**

GLUD - -C - - - -

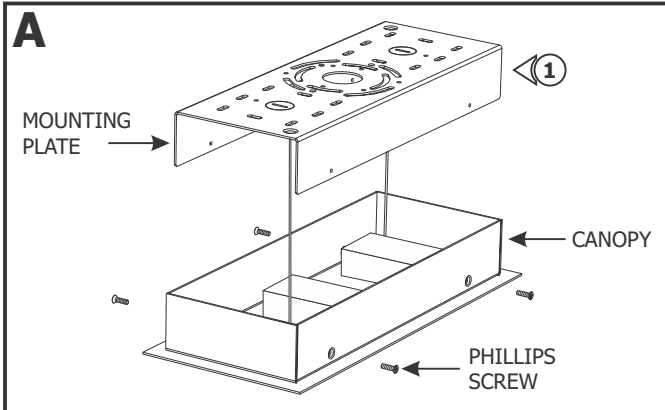
IMPORTANT INFORMATION

- This product is suitable for indoor locations.
- This instruction shows a typical instruction.
- 12" Rectangle Canopy shown for demonstration purposes.
- Care and Maintenance: To clean wood panels (if applies) dust them using a dry rag or use a very dry damp cloth with furniture cleaner.
- Two additional aircraft cables are added for support when the fixture lengths are 96 inches and up.

SAVE THESE INSTRUCTIONS!

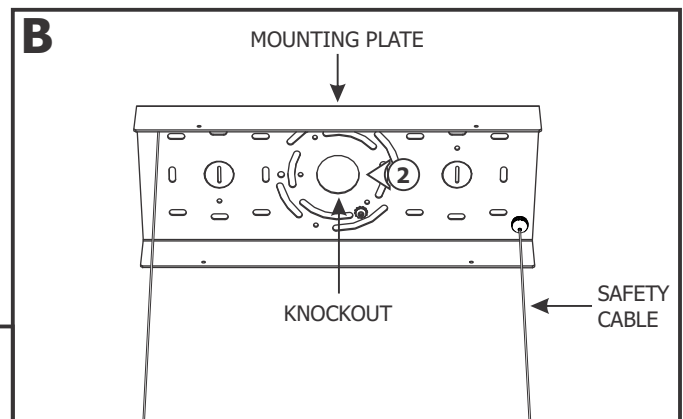


Section One: Install the Canopy

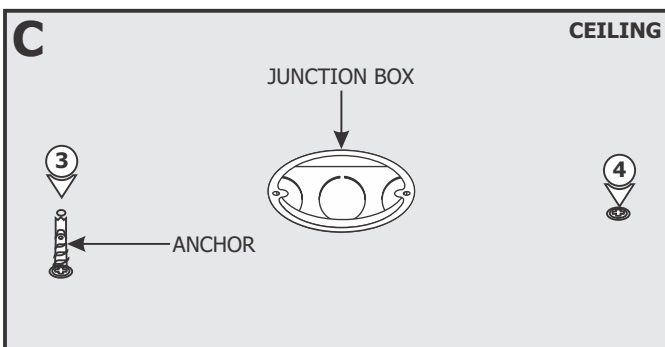


NOTE: It is recommended more than one person to assist in this installation.

1: Remove the four Phillips screws from the canopy to remove the mounting plate.

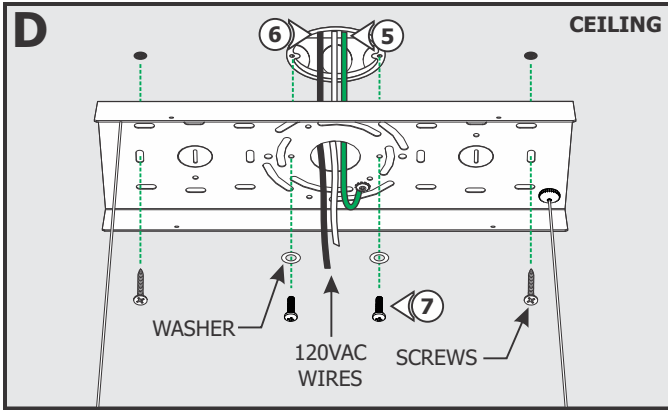


2: Select the appropriate knockout on the mounting plate and remove it using a flathead screwdriver or other appropriate tool.



3: Align the mounting plate holes with the junction box. Mark one point on each side of the junction box onto the ceiling.

4: Tap the anchors onto the marked points up to the threaded portion with a hammer. Then screw in the threaded portion with a Phillips screw driver.

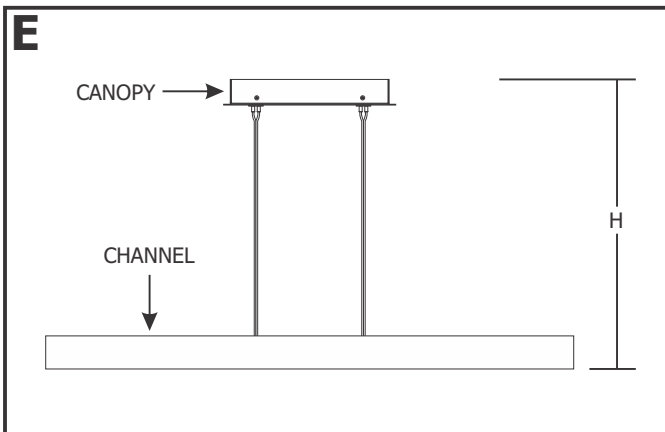


5: Make sure the mounting plate is grounded in accordance with local electrical codes.

6: Feed the 120VAC power wires through the mounting plate knockout.

7: Secure the mounting plate to the junction box and anchors using the provided screws and washers.

Section Two: Power the Fixture



1: Determine the fixture height (H), from the bottom of the channel to the top of the canopy.

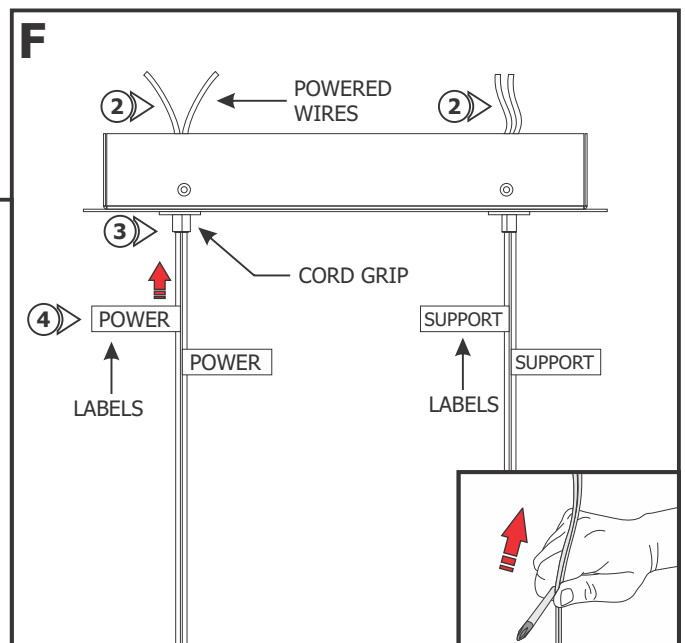
2: Split the end of the wires and push the wires through each tab on the cord grip of the canopy.

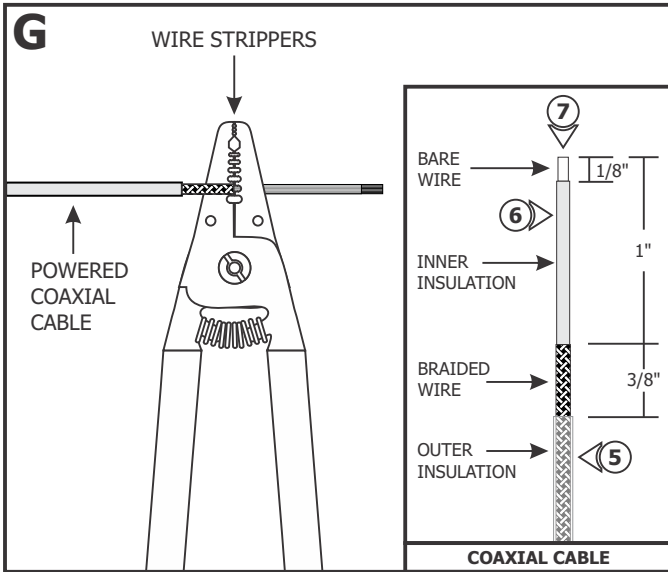
3: Adjust the fixture height by pushing the cord grip to slide the fixture up and down. Release the cord grip to lock the wires in place.

NOTE: If wire is curled or kinked, straighten by holding between the shaft of a screwdriver and thumb and pulling the wire through (see inset).

4: Identify the powered wires which are marked with "POWER" labels.

NOTE: The wires with "SUPPORT" labels are the support wires. **DO NOT** strip and power the support wires.



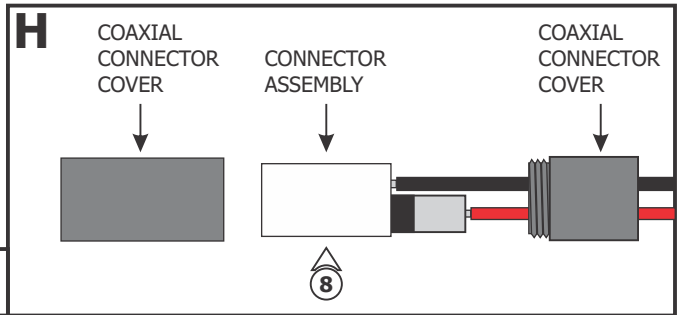


NOTE: Scan the QR Code to watch the video clip of the following steps or visit https://www.PureEdgeLighting.com/video_feed/installation_cxc_connector

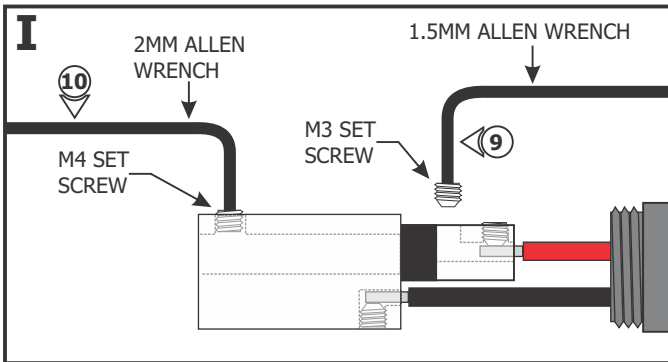
5: Use the 18AWG hole of the wire stripper to remove 1-3/8" of the outer insulation to expose the braided wire of the powered cable only.

6: Use the 18AWG hole of the wire stripper to remove 1" of the braided wire making sure not to nick the inner wire insulation of the powered cable only.

7: Use the 20AWG hole of the wire stripper to move 1/8" of the inner insulated wire of the powered cable only.



8: Unscrew the coaxial connector covers and remove from the connector assembly.

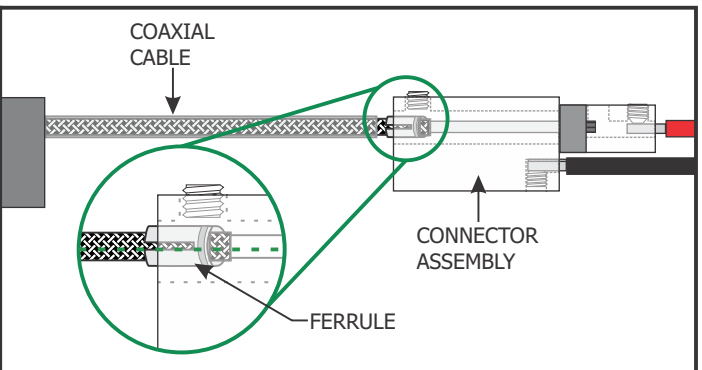
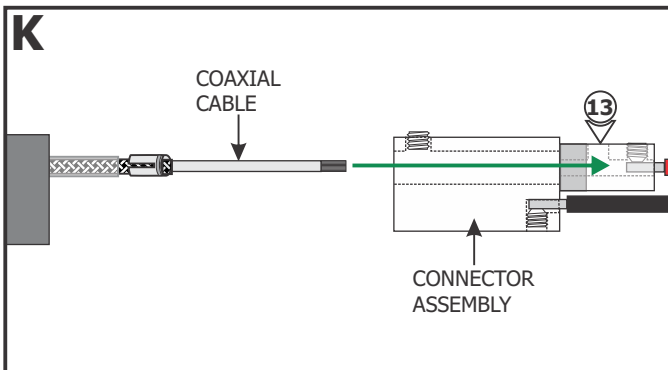
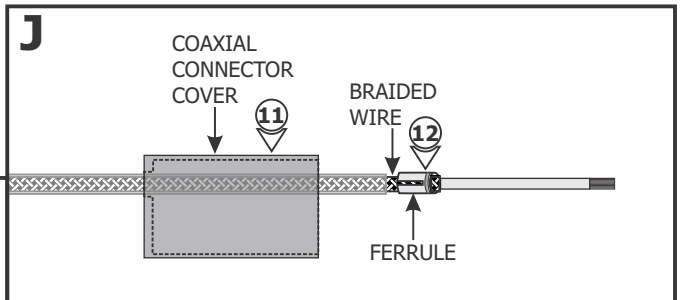


9: Using the provided 1.5mm Allen Wrench, remove the M3 set screw from the coaxial connector assembly.

10: Using the provided 2mm Allen wrench to loosen (do not remove) the M4 set screw.

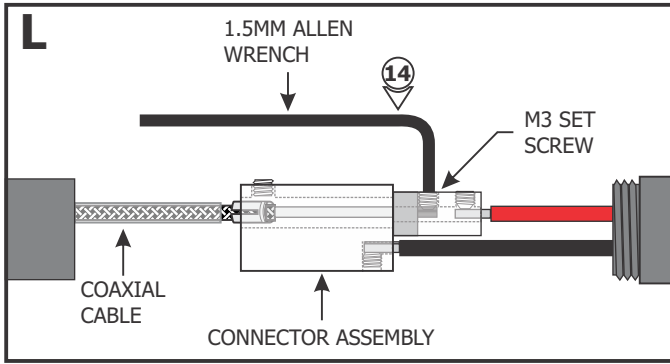
11: Slide the connector cover over the coaxial cable.

12: Place the ferrule over the 3/8" braided wire of the coaxial cable.

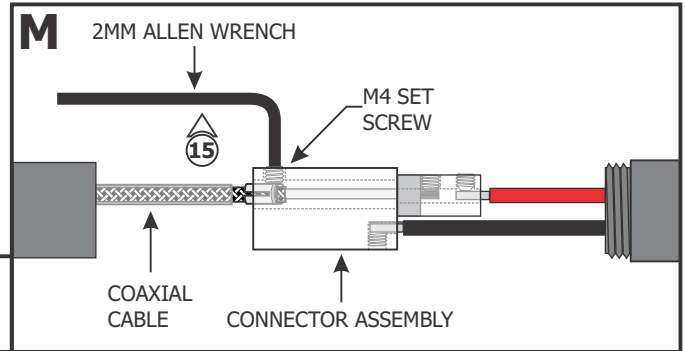


13: Insert the coaxial cable into the coaxial connector until the wires of the center conductor are visible through the M3 set screw hole.

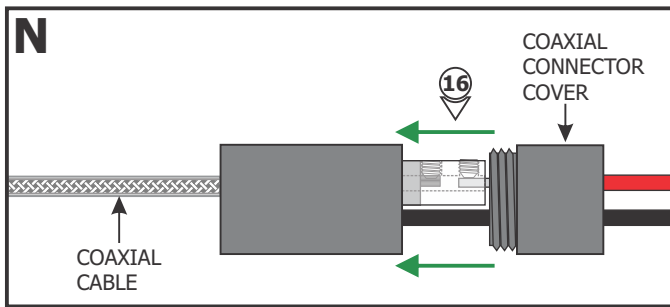
NOTE: Ensure that the split in the ferrule is aligned 90° from the M4 set screw (see inset).



14: Use the provided 1.5mm Allen wrench to replace and securely tighten the M3 set screw.

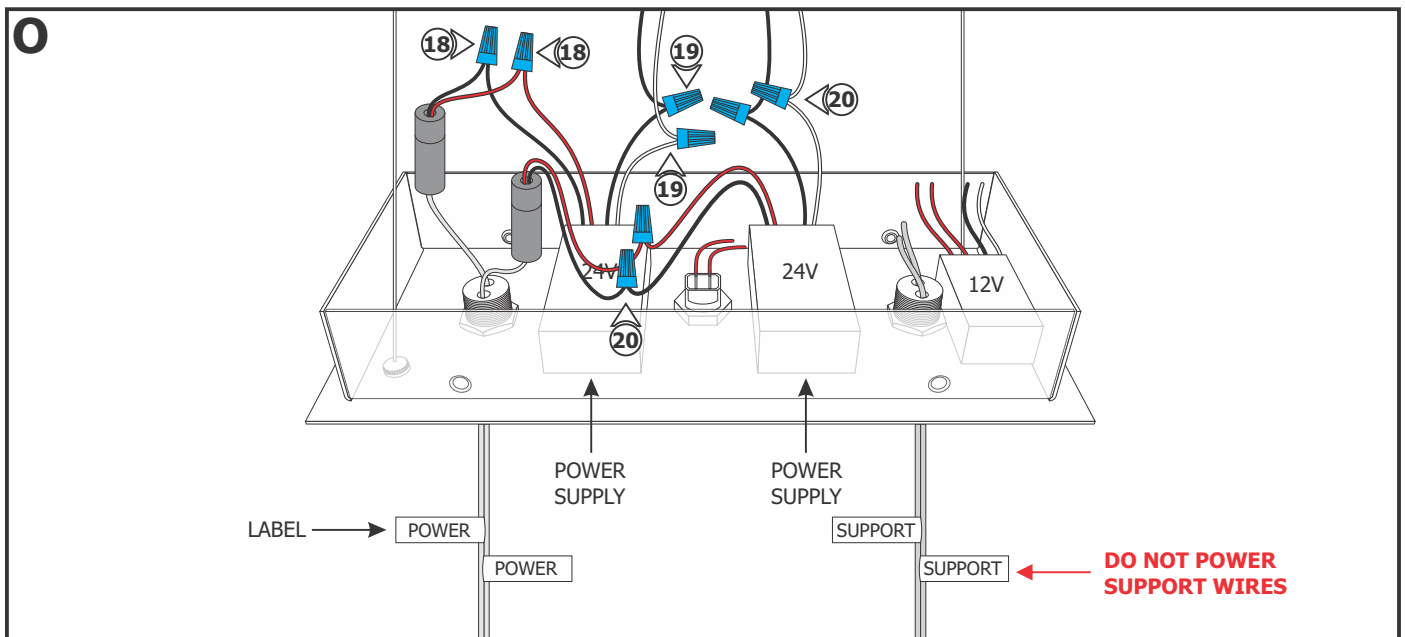


15: Use the provided 2mm Allen wrench to securely tighten the M4 set screw until it squeezes the wire ferrule tightly to the coaxial cable.



16: Replace the coaxial connector cover and tighten into place.

17: Repeat steps 5 through 16 for the other powered cable.

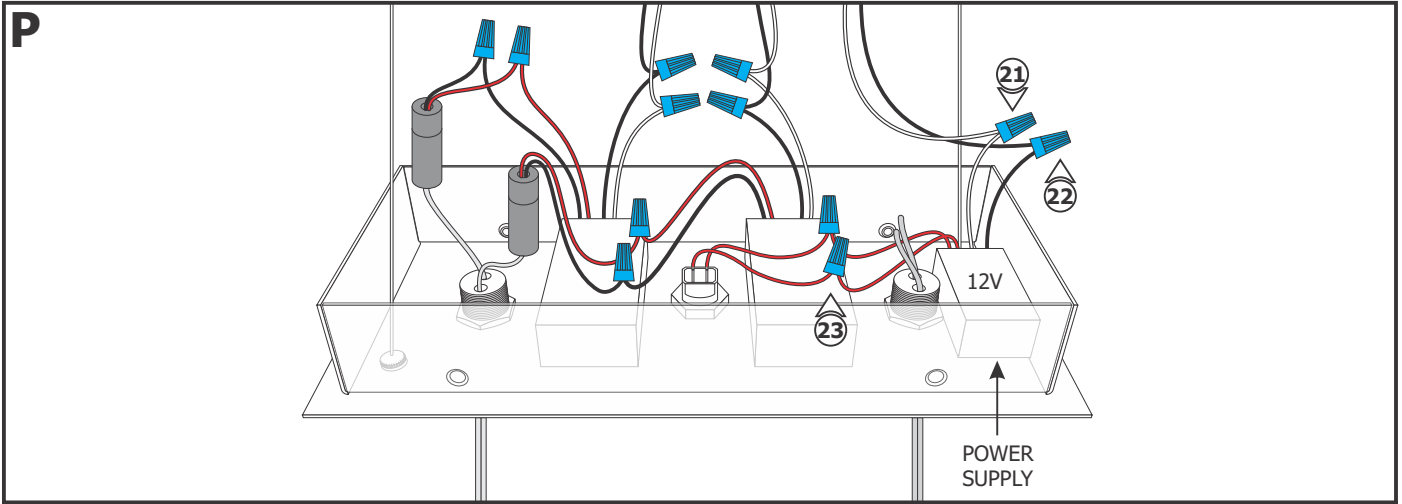


18: Connect the red wire from one power supply to the red wire of a coaxial connector using a wire nut. Connect the black wire from the same power supply to the black wire of the same coaxial connector using a wire nut.

19: Connect the neutral wire from one 120 VAC circuit to the white wire of the same power supply with a wire nut. Connect the hot wire from the same 120 VAC circuit to the black wire of the same power supply with a wire nut.

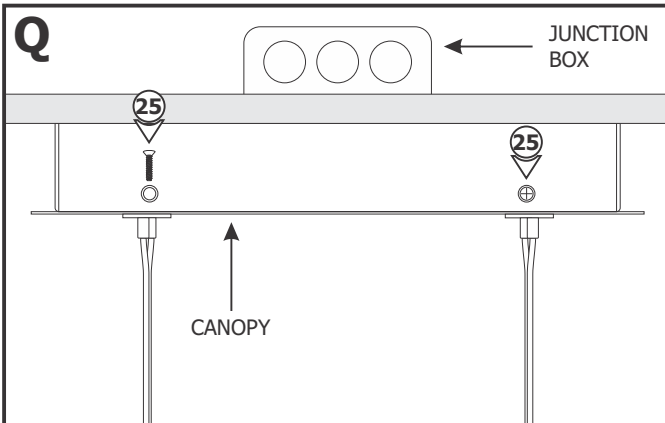
20: Repeat all power connections to connect the second coaxial power connector and power supply to a second circuit.

CAUTION: Test the fixture before removing the labels.

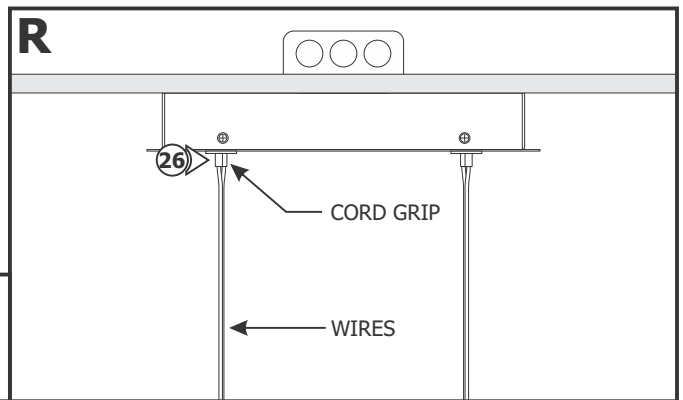


FOR MODELS CONFIGURED WITH FAST JACK PORT:

- 21:** Connect the neutral wire from a third 120V circuit to the 120V white wire of the 12V power supply with a wire nut.
- 22:** Connect the line wire from the same 120V circuit to the 120V black wire of the 12V power supply with a wire nut.
- 23:** Connect each low voltage red wire from the power supply to each red wire of the Fast Jack connector using a wire nut.

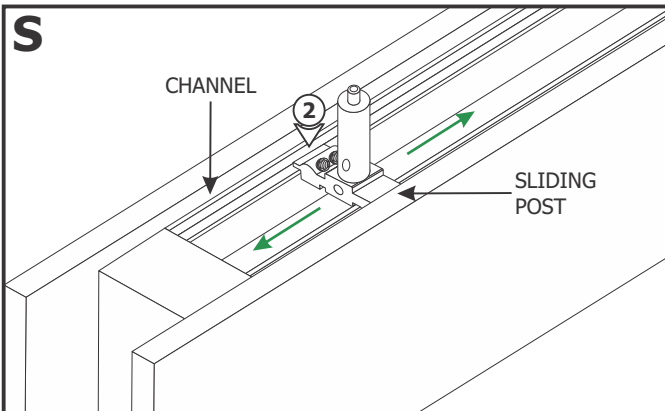


- 24:** Place all the wires and wire nut connections inside the canopy.
- 25:** Align and secure the canopy to the mounting plate by tightening the four screws.

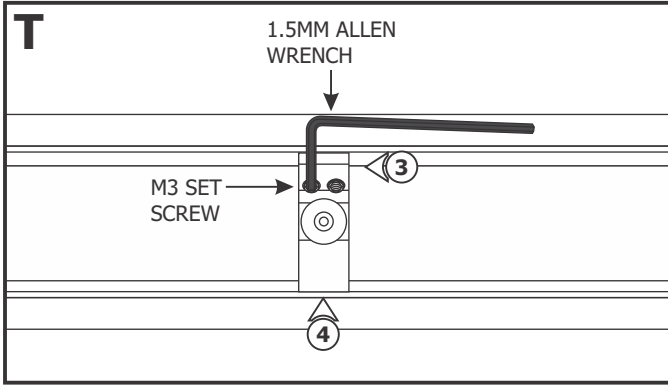


- 26:** To make any adjustments to the fixture height, push the cord grips to slide the fixture up and down until the desired height is achieved. Release the cord grips to lock the wires in place.

Section Three: Install Additional Support

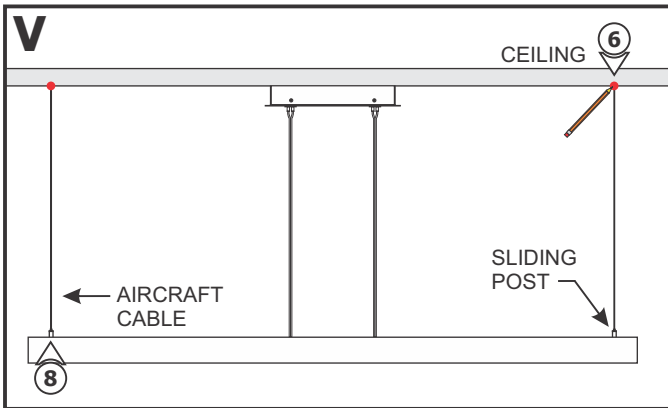
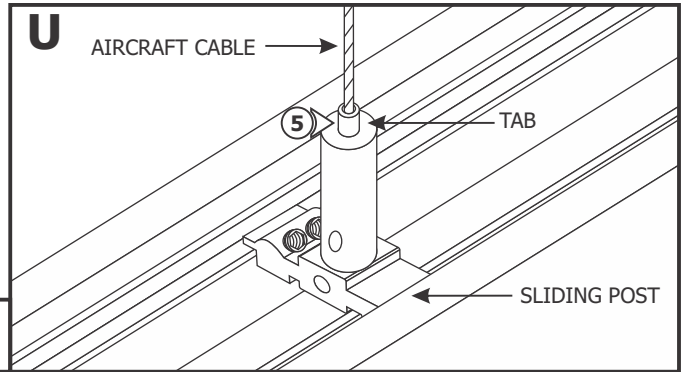


- NOTE:** Follow these steps if the Glide fixture (96 inches or longer) is provided with additional supports.
- 1:** Loosen (**Do Not Remove**) the two M3 set screws on the sliding post with a 1.5mm Allen wrench.
 - 2:** Adjust the position by moving the sliding post across the channel.



- 3:** Tighten the two M3 set screws.
- 4:** Repeat steps 1 through 3 for the other sliding post.

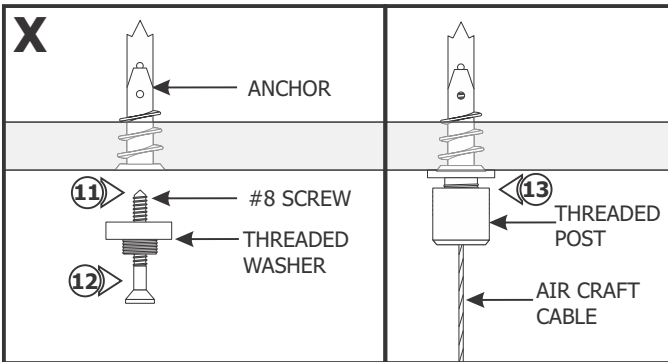
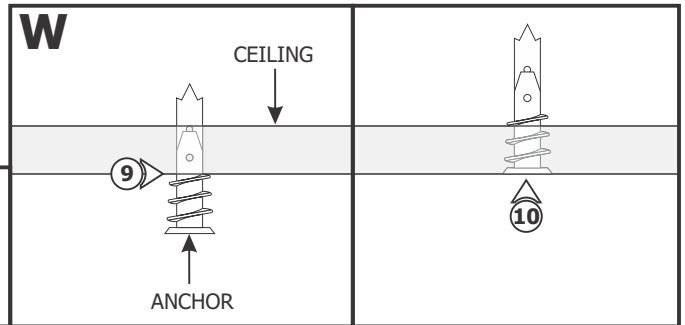
5: Insert the aircraft cable through the top of the tab on the sliding post.



- 6:** Lift the other end of the aircraft cable against the ceiling to mark the location of the standoff.
- 7:** Push the tab on the sliding post and remove the aircraft cable.
- 8:** Repeat steps 5 through 7 for the other sliding post.

9: For each standoff, tap the anchor onto the marked location up to the threaded portion with a hammer.

10: Screw in the threaded portion of the anchors with a Phillips screw driver.

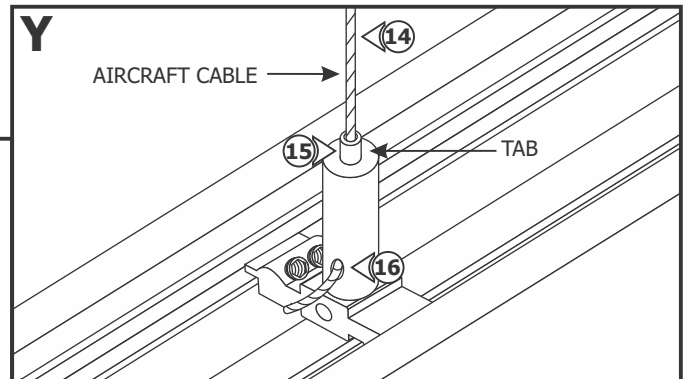


- 11:** Feed the #8 screw through the threaded washer.
- 12:** Tighten the #8 screw completely into the anchor.
- 13:** Feed the aircraft cable through the threaded post. Tighten the threaded post completely onto the threaded washer.

14: For each standoff, insert the aircraft cable through the top of the tab on the sliding post.

15: Adjust the height of the fixture by pushing the tab and pulling the aircraft cable out of the side of the sliding post. Release the tab to secure the cable in place.

16: If necessary, trim excess aircraft cable using sharp cutters.



Wiring Diagram

