

LAZER LINE DIRECT OR DIRECT/INDIRECT SUSPENDED LED LIGHTING SYSTEM, 24VDC - REMOTE POWER

DESIGNED BY DEREK PORTER and GREGORY KAY | ASSEMBLED IN AMERICA

REV 08.02.21



An original, ground-breaking product design from PureEdge Lighting – backed by over 30 years of precision manufacturing.

DESCRIPTION

Lazer Line 1/2" wide aluminum tape is a Direct and/or Indirect LED Lighting System that provides general illumination in architectural applications. The turnbuckles can be mounted wall to wall, ceiling to floor, or ceiling to wall. The turnbuckles allow Lazer Line to be positioned 0-60° relative to the mounting surface, creating a 3-dimensional appearance that is as functional as it is visually interesting. Mounts to standard 4" square junction box with round plaster ring, Paint canopy to blend into wall for a seamless look. For compact shipment and storage, Lazer Line coils like a retractable tape measure. When uncoiled, Lazer Line becomes a 0.5" wide, channel that spans opposing surfaces. The channel is easily cut in the field. For longer runs, feed power from both ends.

APPLICATIONS

Designed for indoor use only. Wherever direct and indirect light sources can be used such as offices, hallways, hotels, restaurants and retail environments.

LUMEN PERFORMANCE AT 3000K 6W/FT

(Refer to page 2 for full lumen data)

LUMEN OUTPUT	542 lm/ft
EFFICIENCY	164 lm/w
CRI	92+
R9	69
Rf	91
Rg	99
BEAM ANGLE	120°

FINISHES



Satin Aluminum
SA

White
WH

SPECIFICATIONS

INPUT VOLTAGE	24VDC remote power
POWER CONSUMPTION	LZ: 3 or 5 w/ft LZUD: 6W (3W up + 3W down) or 10 W/ft (5W up + 5W down)
ORDERING INCREMENTS	1 ft
MAXIMUM LENGTHS	LZ: 3W-60' 5W-40' LZUD: 6W-30' 10W-20' with power feeds at both ends
MOUNTING:	Semi-recessed, Flush mount adjustable turnbuckles included
FINISH:	Clamp Assembly: White Powder Coat or Satin Aluminum Turnbuckle: Plaster-in and Paint Plate blends into ceiling and walls for a seamless look.
OPERATING TEMP	-4°F to 122°F (-20°C to 50°C)
LEDs/ft	168
AVERAGE LED LIFE	50,000 hrs
WARRANTY	5 Year Pro-rated

REMOTE POWER SUPPLIES*, DIMMERS & CONTROLS

- UNI Driver: Universal Dimming (**TRIAC, ELV, 0-10V**) with corresponding dimmer
- Electronic Low Voltage (**ELV**)†
- 0-10 Volt Dimming (**0-10V**)
- DMX - Color Changing
- Lutron Hi-Lume®

*In-Wall Mounting Kits available for select power supplies

**Tunable White Requires two dimmers (one for each color temperature) or use our proprietary Tunable White Controller CDMX-1

†With nLight Dimming Do Not use ELV power supplies, use only 0-10 volt or Uni drivers power supplies

APPROVALS/COMPLIANCE

USA Patent, ETL, Class 2, Damp Rated, RoHS

LAZER LINE, SINGLE STRIP DIRECT (USED AS UP OR DOWN)

Product	Wattage	Length in Feet	Color Temperature	Turnbuckle Finish	
LZ	5W	60	30KZ	SA	
LZ Lazer Line 0.5" with single row Lazer Strip	3W 3.3 Watts/ft up to 60 ft (power feeds at both ends) 5W 4.4 Watts/ft up to 40 ft (power feeds at both ends)	1-60 1-60 Feet	24KZ 2400K Amber White 27KZ 2700K Very Warm White 30KZ 3000K Warm White 35KZ 3500K Neutral White 40KZ 4000K Cool White RZ Red	GZ Green BZ Blue AZ Amber 2K6K Tunable White 2000K-6500K RGB Red, Green and Blue	SA Satin Aluminum* WH White*
Power Feeds at one end: 3W max length 30ft 5W max length 20ft				*Refers to clamp assembly within turnbuckles	



PROJECT	FIXTURE TYPE	DATE
---------	--------------	------

LAZER LINE DIRECT OR DIRECT/INDIRECT

SUSPENDED LED LIGHTING SYSTEM, 24VDC - REMOTE POWER

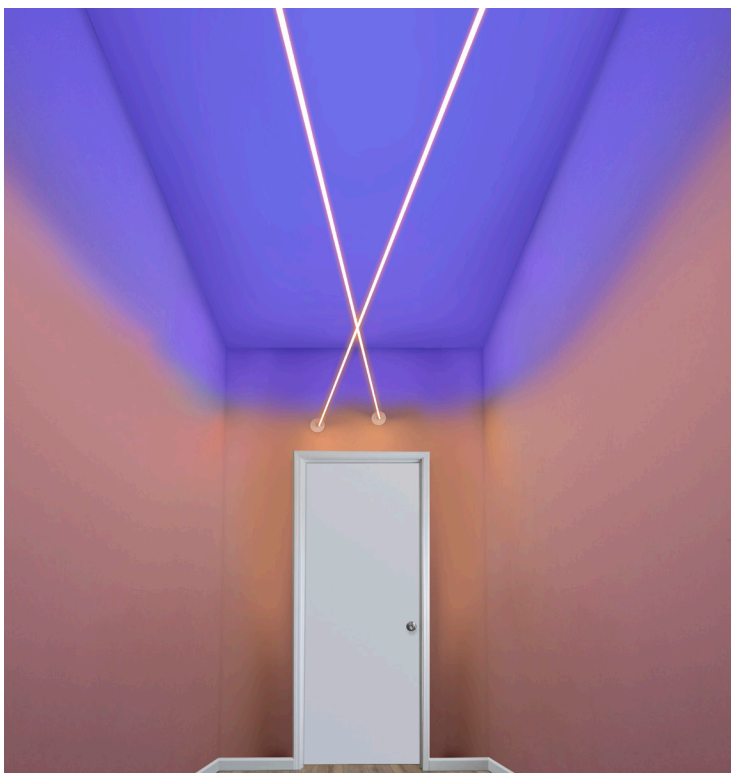
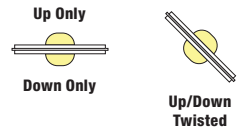
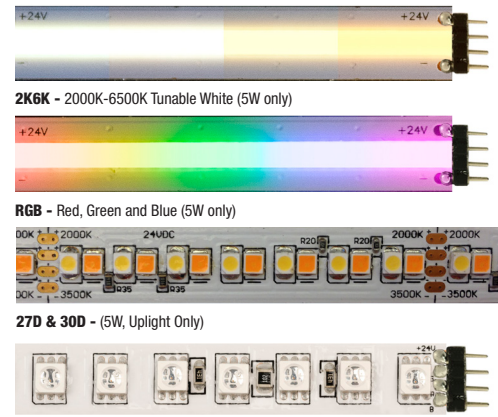
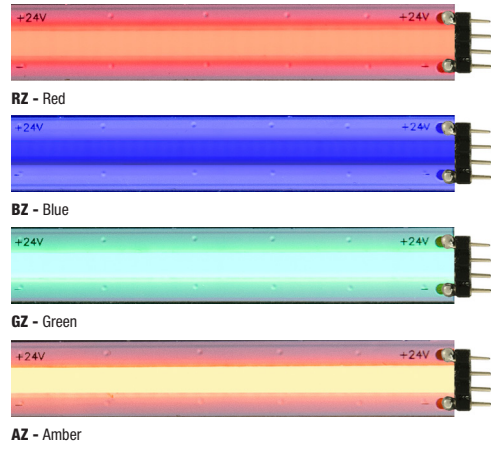
LAZER LINE, TWO STRIPS (COMBINED UP & DOWN LIGHT)

MAY BE SWITCHED SEPARATELY

Product	Wattage	Length in Feet	Down Light Color Temperature	Up Light Color Temperature	Turnbuckle Finish	
LZUD Lazer Line 0.5" with 2 Lazer Strips (Up + Down)	10W 2x3.3 Watts/ft up to 60 ft (two power feeds at both ends) 2x4.4 Watts/ft up to 40 ft (two power feeds at both ends) Power Feeds at one end: 6W 6W 2x3.3W max length 30ft (two power feeds at one end) 10W 10W 2x4.4W max length 20ft (two power feeds at one end)	60 1-60	30KZ 24KZ 2400K Amber White 27KZ 2700K Very Warm White 30KZ 3000K Warm White 35KZ 3500K Neutral White 40KZ 4000K Cool White 2K6K Tunable White 2000K-6500K (5W) RGB Red, Green and Blue (5W) RZ Red GZ Green BZ Blue AZ Amber	24KZ 2400K Amber White 27D* 2700K Warm Dim (5W) 27KZ 2700K Very Warm White 30D* 3000K Warm Dim (5W) 30KZ 3000K Warm White 35KZ 3500K Neutral White 40KZ 4000K Cool White 2K6K Tunable White 2000K-6500K (5W)	RZ Red GZ Green BZ Blue AZ Amber RGB Red, Green and Blue (5W) RGBW* Red, Green, Blue & White (6W)	SA Satin* WH White*

*May show visible pixelation depending on distance from ceiling/wall surface

*Refers to clamp assembly within turnbuckles



LAZER LINE UP/DOWN (RGB UP LIGHT, DOWN 27K)



LAZER LINE DOWN (27K)

PROJECT	FIXTURE TYPE	DATE
---------	--------------	------

LAZER LINE DIRECT OR DIRECT/INDIRECT

SUSPENDED LED LIGHTING SYSTEM, 24VDC - REMOTE POWER

REV 08.02.21

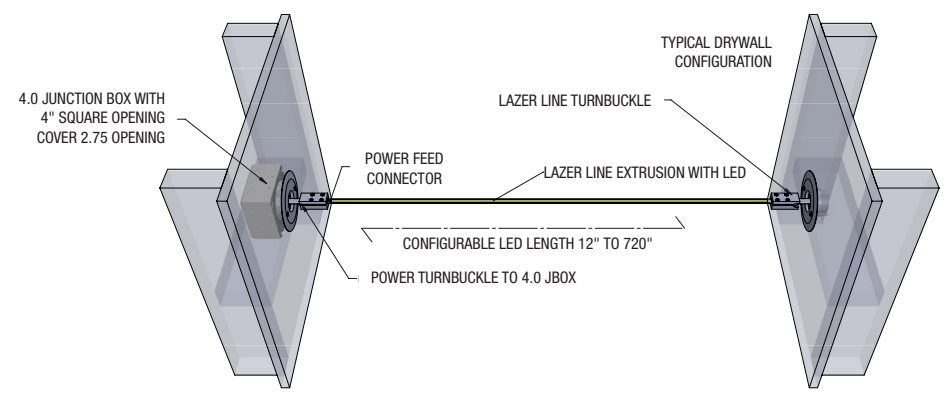
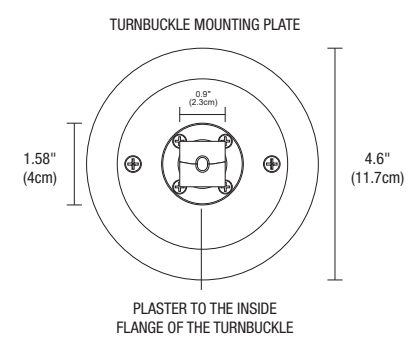
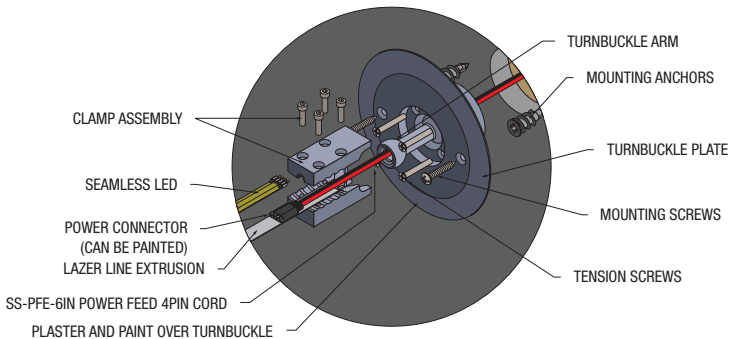
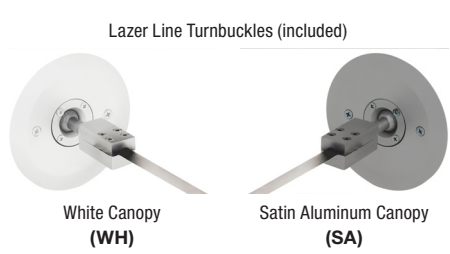
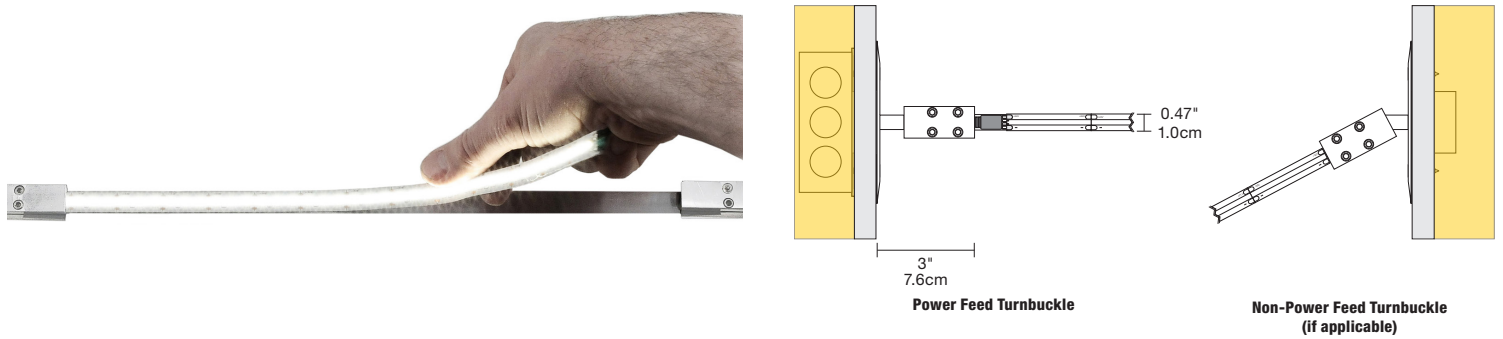
LAMP DATA: Lamp data for Lazer Light

WATTS PER FOOT	STATIC WHITE - UP AND DOWN LIGHT COMBINED							
	6w (5W (4.4 watts)			
COLOR TEMPERATURE	24KZ	27KZ	30KZ	35KZ	24KZ	27KZ	30KZ	35KZ
LUMENS PER FOOT (lm/ft)	240	258	271	274	264	338	369	423
LUMENS PER WATT (lm/w)	73	78	82	83	60	77	84	96

WATTS PER FOOT	TUNABLE WHITE 2K6K									
	5w									
COLOR TEMPERATURE	20K	22K	24K	27K	30K	35K	40K	57K	65K	
LUMENS PER FOOT (lm/ft)	139	201	213	225	245	255	265	320	356	
LUMENS PER WATT (lm/w)	48	44	47	49	52	56	67	72	79	
CRI	93+	92+	94+	93+	85+	85+	85+	85+	85+	

LS3 24VDC LAZER STRIP (3.3 WATTS PER FOOT)																														
MAXIMUM LENGTH BEFORE REFEEDING: 30FT																														
LENGTH IN FEET	1	2	3	4	5	6	7	8	9	10	11	12	13	14	15	16	17	18	19	20	21	22	23	24	25	26	27	28	29	30
TOTAL WATTAGE	3.3	6.6	10	13.2	15	16.5	19.8	16.5	23.1	26.4	29.7	33	36.3	39.6	42.9	46.2	49.5	52.8	56.1	59.4	62.7	66	69.3	72.6	75.9	79.2	82.5	85.8	89.1	92.4

LS5 STATIC WHITE 24VDC LAZER STRIP (4.4 WATTS PER FOOT)																				
MAXIMUM LENGTH BEFORE REFEEDING: 20FT																				
LENGTH IN FEET	1	2	3	4	5	6	7	8	9	10	11	12	13	14	15	16	17	18	19	20
TOTAL WATTAGE	5	10	15	20	24	29	34	39	44	48	53	58	63	68	72	77	82	87	92	96

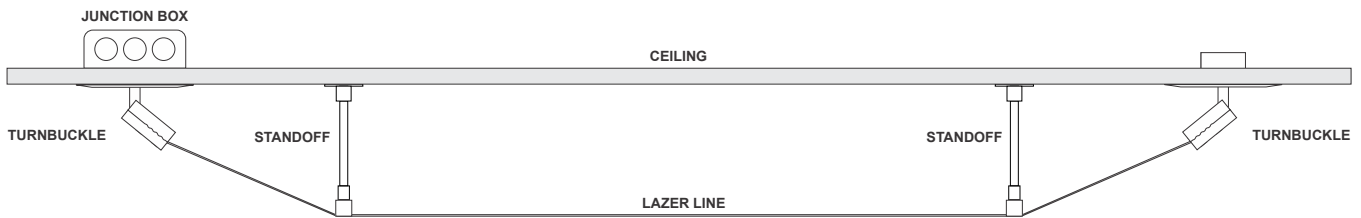
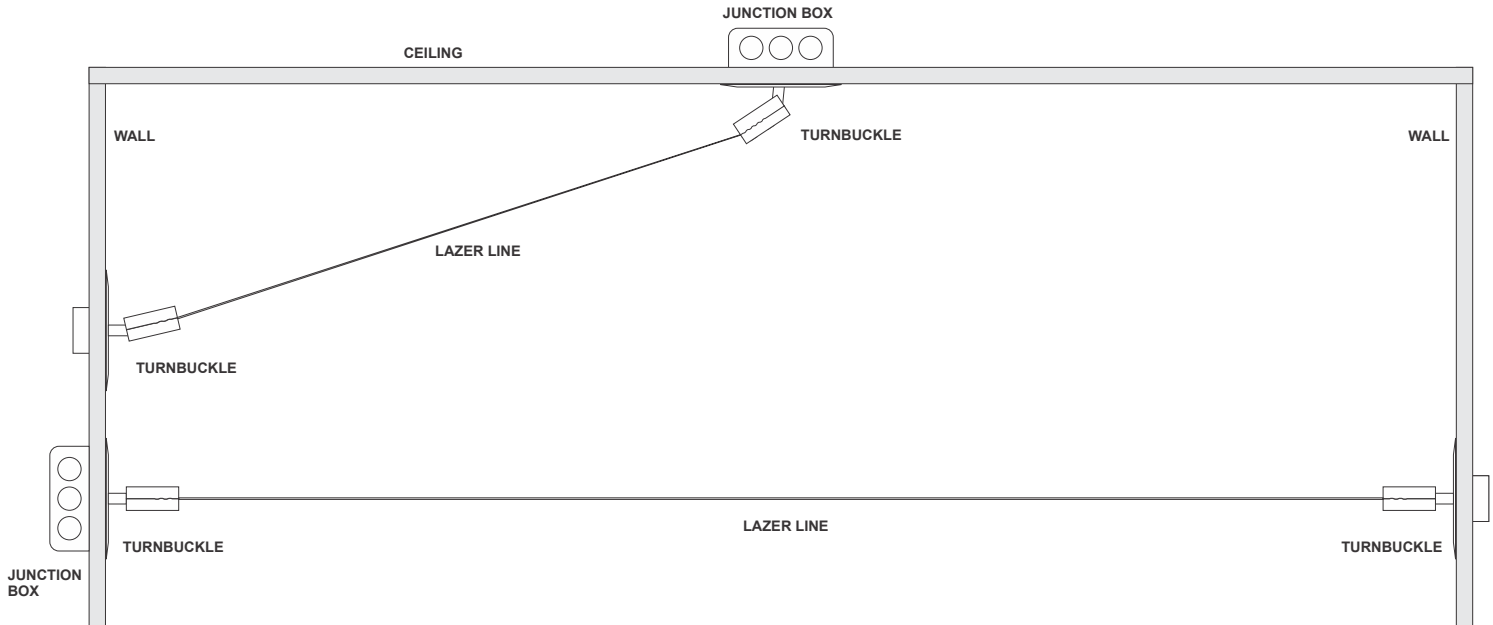


PROJECT	FIXTURE TYPE	DATE
---------	--------------	------

LAZER LINE DIRECT OR DIRECT/INDIRECT

SUSPENDED LED LIGHTING SYSTEM, 24VDC - REMOTE POWER

REV 08.02.21

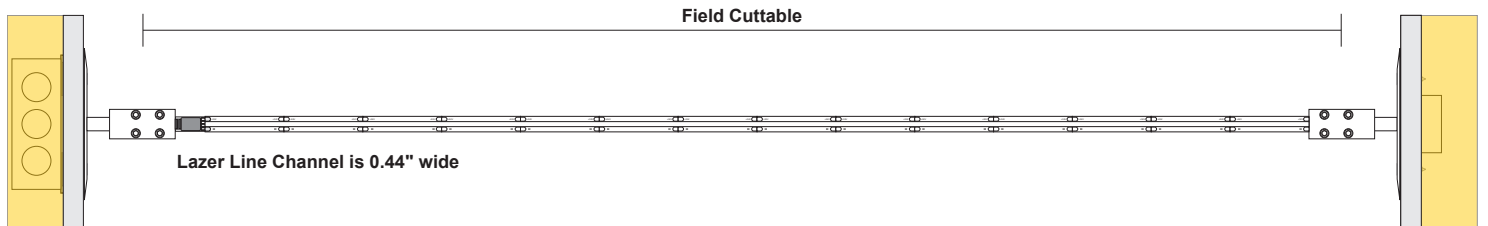


TOTAL WATTAGE				
Total Feet	3W (3.3 Watts/ft)	5W (5 Watts/ft)	6W (2x3 Watts/ft)	10W (2x5 Watts/ft)
5'	17	22	34	44
10'	33	44	66	88
15'	50	66	100	132
20'	66	88	132	176
25'	83	110	166	220
30'	99	132	198	264
35'	115	175	230	350
40'	132	196	264	392
45'	149		298	
50'	165		330	
55'	181		362	
60'	198		396	

Lengths over 100 watt, require feeding from both ends.



Product: **SLS** Length: **24** Finish: **SA**
SLS Soft Line Standoff **24** 24" - Cut to Length in the field **SA** Satin Aluminum



PROJECT	FIXTURE TYPE	DATE
---------	--------------	------

UNIVERSAL POWER SUPPLIES & RECOMMENDED DIMMERS

ORDERING CODE	PSB-40W-UNI-24VDC 	PSB-60W-UNI-24VDC 	PSB-2X40W-UNI-24VDC 	PSB-2X60W-UNI-24VDC
SPECIFICATIONS				
MAXIMUM LOAD	40W	60W	2X40W	2X60W
INPUT VOLTAGE	120-277VAC	120-277VAC	120-277VAC	120-277VAC
OUTPUT VOLTAGE	24VDC	24VDC	24VDC	24VDC
DIMENSIONS	12.4" X 3.12" X 2.18"	12.4" X 3.12" X 2.18"	12.15" X 6.48" X 2.18"	12.15" X 6.48" X 2.18"
CLASSIFICATION	CLASS 2	CLASS 2	CLASS 2	CLASS 2
T-BAR MOUNTING	PSB-40W-UNI-24VDC-TB	PSB-60W-UNI-24VDC-TB	PSB-2X40W-UNI-24VDC-TB	PSB-2X60W-UNI-24VDC-TB
IN-WALL MOUNTING	PSB-40W-UNI-24VDC-IW	PSB-60W-UNI-24VDC-IW	PSB-2X40W-UNI-24VDC-IW	PSB-2X60W-UNI-24VDC-IW

UNIVERSAL POWER SUPPLIES & RECOMMENDED DIMMERS

ORDERING CODE	PSB-96W-UNI-24VDC 	PSB-2X96W-UNI-24VDC 	PSB-3X96W-UNI-24VDC 	PSB-4X96W-UNI-24VDC
SPECIFICATIONS				
MAXIMUM LOAD	96W	2X96W	3X96W	4X96W
INPUT VOLTAGE	120-277VAC	120-277VAC	120-277VAC	120-277VAC
OUTPUT VOLTAGE	24VDC	24VDC	24VDC	24VDC
DIMENSIONS	12.4" X 3.12" X 2.18"	12.15" X 6.48" X 2.18"	14" X 10" X 3"	17" X 13" X 3"
CLASSIFICATION	CLASS 2	CLASS 2	CLASS 2	CLASS 2
T-BAR MOUNTING	PSB-96W-UNI-24VDC-TB	PSB-2X96W-UNI-24VDC-TB	PSB-3X96W-UNI-24VDC-TB	PSB-4X96W-UNI-24VDC-TB
IN-WALL MOUNTING	PSB-96W-UNI-24VDC-IW	PSB-2X96W-UNI-24VDC-IW	NA	NA

ELV DIMMING & CONTROLS

LUTRON DIVA: DVELV-300P	•	•	•	•
LUTRON SKYLARK: SELV-300P	•	•	•	•
LUTRON RADIO RA2: RRD-6NA	•	•	•	•
LUTRON MAESTRO: MAELV-600	•	•	•	•
LEGRAND ADORNE: ADTP-703TUM4	•	•	•	•

0-10 DIMMING & CONTROLS

PHILIPS SUNRISE: SR1200ZTUNV	•	•	•	•
LUTRON DIVA: DVTV-WH, DVSTV-WH	•	•	•	•
LUTRON NOVA T: NTSTV-DV-XX	•	•	•	•
LUTRON GRAFIX EYE QS: QSGRJ-XP	•	•	•	•
LUTRON RADIO RA2: RRD-10ND	•	•	•	•
LEVITON: LEV40050	•	•	•	•
LEVITON IP710-LFZ	•	•	•	•
LEGRAND: ADPD4FBL3P2W4	•	•	•	•

TRIAC DIMMING & CONTROLS

LUTRON SKYLARK: S2-L-WH	•	•	•	•
LUTRON DIVA DVLV-600P-WH	•	•	•	•
LUTRON DIVA DVLV-603P-WH	•	•	•	•
LUTRON MAESTRO MALV-600-WH	•	•	•	•
LUTRON MAESTRO MALV-1000-WH	•	•	•	•
LUTRON MAESTRO MA-R-XX	•	•	•	•

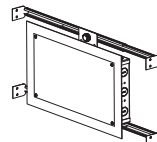
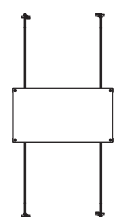
- Flicker free dimming
- Aluminum casing for optimal heat dissipation
- Isolated output power per NEC and UL safety requirements
- UL & ETL recognized/ listed, meets UL 8750, 1310 requirements
- Auto-reset; short circuit, overload and thermal protection
- Class 2 power supply
- Efficient, High power factor > 0.90

*Title 24 with JAB listed PureEdge products and systems

*Tunable White requires Dual power Supplies and Controls. For single control use with our proprietary Tunable White Controller CDMX-1, refer to Universal Tunable White Power Supply Specifications. Up + Down Light fixtures and Systems can be controlled individually or together depending on the power supply selection.

T-BAR Mounting Kit: Includes power supply, box cover, and T-bar hangers for installing Junction Box above ceiling with in easy reach. Comes with 4' of 14 gauge pair Teflon cables with quick secure connectors.

Ordering Codes : PSB-40W-UNI-24VDC-TB, PSB-60W-UNI-24VDC-TB, PSB-96W-UNI-24VDC-TB, PSB-2X40W-UNI-24VDC-TB, PSB-2X60W-UNI-24VDC-TB, PSB-2X96W-UNI-24VDC-TB, PSB-3X96W-UNI-24VDC-TB, PSB-4X96W-UNI-24VDC-TB



In-Wall Mounting Kit: Includes power supply, box cover and stud hangers for installing Junction Box in wall. Select "IW" in the options section of compatible power supply ordering codes if an In-Wall Mounting Kit is needed.

Ordering Codes 5.1" x 14.25": PSB-40W-UNI-24VDC-IW, PSB-60W-UNI-24VDC-IW, PSB-96W-UNI-24VDC-IW

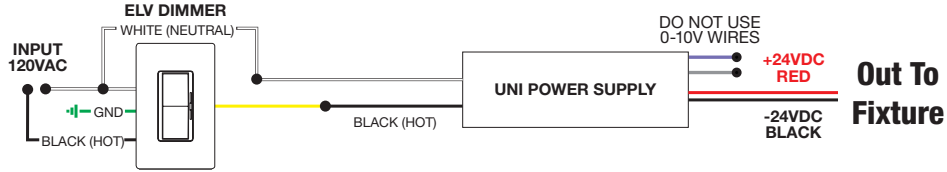
Ordering Codes 8.5" x 14.25": PSB-2X40W-UNI-24VDC-IW, PSB-2X60W-UNI-24VDC-IW, PSB-2X96W-UNI-24VDC-IW

PROJECT	FIXTURE TYPE	DATE
---------	--------------	------

WIRING DIAGRAMS UNIVERSAL POWER SUPPLY

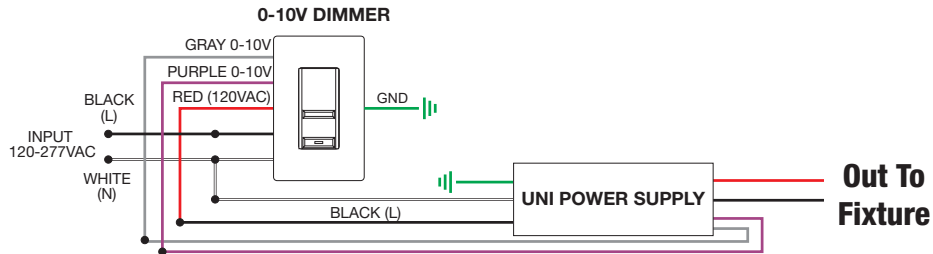
Application: ELV dimming for Static White and Warm Dim

Dimming: Dimmable with ELV dimmer: Legrand, Adorne ADTP703TU; Lutron: Diva DVELV-300P, Skylark SELV-300P, Maestro MAELV-600 and Radio Ra 2



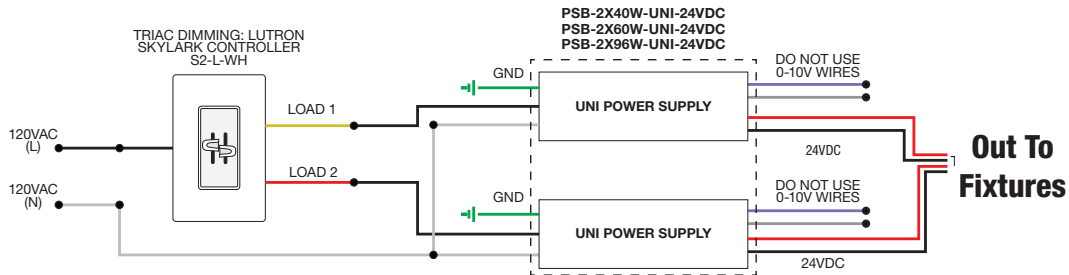
Application: 0-10V dimming for Static White

Dimming: Dimmable with 0-10V dimmer: Philips Sunrise: SR1200ZTUNV; Lutron Diva: DVTV-WH, DVSTV-WH; Lutron Nova T: NTSTV-DV-XX; Lutron Grafix EYE QS: QSGRJ-XP; Lutron Radio Ra2: RRD-10ND; Leviton: LEV40050; Leviton IP710-LFZ; Legrand: ADPD4FBL3P2W4



Application: Triac dimming for two power supplies, use for Static White

Dimming: Dimmable with Triac dimmer: Lutron: Skylark S2-L



PROJECT	FIXTURE TYPE	DATE
---------	--------------	------

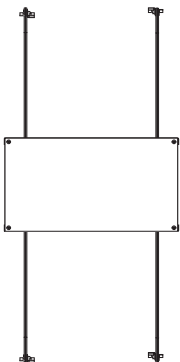
ELECTRONIC LOW-VOLTAGE (ELV) POWER SUPPLIES & RECOMMENDED DIMMERS ^{†‡}				
ORDERING CODES	PS-60L-ELV-24VDC 	PSB-60W-ELV-24VDC 	PSB-2X60W-ELV-24VDC 	PSB-100W-ELV-24VDC
SPECIFICATIONS				
MAXIMUM LOAD	60W NON-IC, 50W-IC (FITS IN JBOX)	60W	2X60W	96W
INPUT VOLTAGE	120VAC	120VAC	120VAC	120VAC
OUTPUT VOLTAGE	24VDC	24VDC	24VDC	24VDC
DIMENSIONS	2.25" X 1.25" X 0.83"	8.125" X 2" X 1.75"	12.15" X 6.48" X 2.18"	9.25" X 3.5" X 2"
CLASSIFICATION	CLASS 2	CLASS 2	CLASS 2	CLASS 2
T-BAR MOUNTING	N/A	PSB-60W-ELV-24VDC-TB	PSB-2X60W-ELV-24VDC-TB	PSB-100W-ELV-24VDC-TB
IN WALL MOUNTING	N/A	PSB-60W-ELV-24VDC-IW	PSB-2X60W-ELV-24VDC-IW	PSB-100W-ELV-24VDC-IW
ELECTRONIC LOW-VOLTAGE (ELV) POWER SUPPLIES & RECOMMENDED DIMMERS ^{†‡}				
ORDERING CODES	PSB-2X100W-ELV-24VDC 	PSB-3X100W-ELV-24VDC 	PSB-4X100W-ELV-24VDC 	
SPECIFICATIONS				
MAXIMUM LOAD	2X96W	3X96W	4X96W	
INPUT VOLTAGE	120VAC	120VAC	120VAC	
OUTPUT VOLTAGE	24VDC	24VDC	24VDC	
DIMENSIONS	12.15" X 6.48" X 2.18"	14" X 10" X 3"	17" X 13" X 3"	
CLASSIFICATION	CLASS 2	CLASS 2	CLASS 2	
T-BAR MOUNTING	PSB-2X100W-ELV-24VDC-TB	PSB-3X100W-ELV-24VDC-TB	PSB-4X100W-ELV-24VDC-TB	
IN WALL MOUNTING	PSB-2X100W-ELV-24VDC-IW	N/A	N/A	
DIMMING AND CONTROLS				
LUTRON DIVA: DVELV-300P	•	•	•	
LUTRON SKYLARK: SELV-300P	•	•	•	
LUTRON RADIO RA2: RRD-6NA	•	•	•	
LUTRON MAESTRO: MAELV-600	•	•	•	
LEGRAND ADORNE: ADTP-703TUM4	•	•	•	

[†]22K - 57K color temperatures are compatible with 0-10V, ELV, and Lutron Hi-Lume® Power Supplies. Warm Dim (27D, 30D) color temperatures are only compatible with ELV power supplies. Tunable White color temperature is compatible with 0-10V, ELV, DMX, and Lutron Hi-Lume® Power Supplies. Color (RGB, RGB+W) and Static Color (Amber, Blue, Green, or Red) are compatible with DMX Power Supplies.

[‡]Electrical Panels using Siemens/Murray AFCI breakers are not compatible with this ELV transformer. Use 0-10 Volt power supplies with this breaker

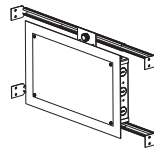
With N-Lite Dimming Do Not use ELV power supplies, use only 0-10 volt or Uni drivers power supplies

**Up + Down Light fixtures and Systems can be controlled individually or together depending on the power supply selection.



T-Bar Mounting Kit: Includes power supply, box cover, and T-bar hangers for installing Junction Box above ceiling with in easy reach. Comes with 4' of 14 gauge pair Teflon cables with quick secure connectors.

Ordering Codes : PSB-60W-ELV-24VDC-TB
PSB-100W-ELV-24VDC-TB
PSB-2X60W-ELV-24VDC-TB
PSB-2X100W-ELV-24VDC-TB
PSB-3X100W-ELV-24VDC-TB
PSB-4X100W-ELV-24VDC-TB



In-Wall Mounting Kit: Includes power supply, box cover and stud hangers for installing Junction Box in wall. Select "IW" in the options section of compatible power supply ordering codes if an In-Wall Mounting Kit is needed.

Ordering Codes 5.1" x 14.25": PSB-60W-ELV-24VDC-IW
PSB-100W-ELV-24VDC-IW

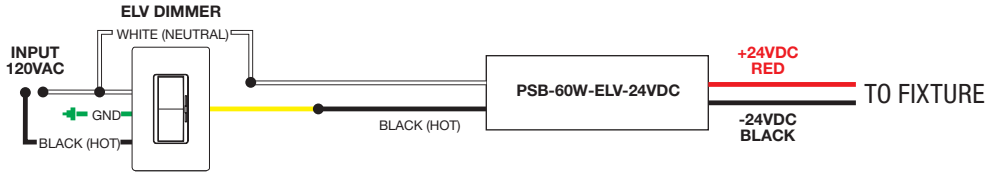
Ordering Codes 8.5" x 14.25": PSB-2X60W-ELV-24VDC-IW
PSB-2X100W-ELV-24VDC-IW

PROJECT	FIXTURE TYPE	DATE
---------	--------------	------

SAMPLE WIRING DIAGRAMS 24VDC ELV

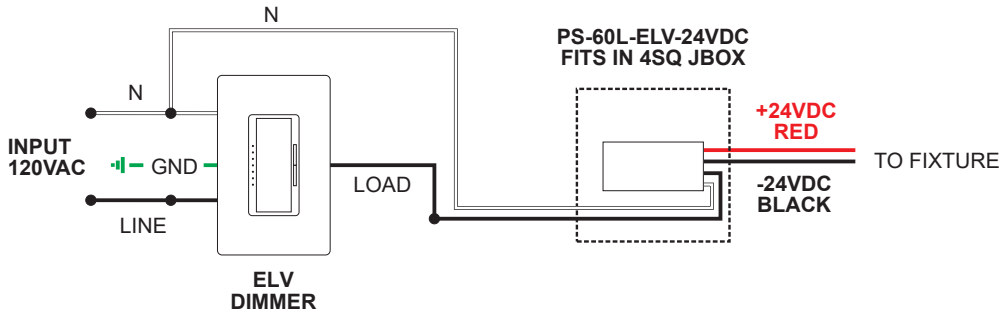
Application: ELV dimming for Static White

Dimming: Dimmable with ELV dimmer: Legrand, Adorne ADTP703TU; Lutron: Diva DVELV-300P, Skylark SELV-300P, Maestro MAELV-600 and Radio Ra 2



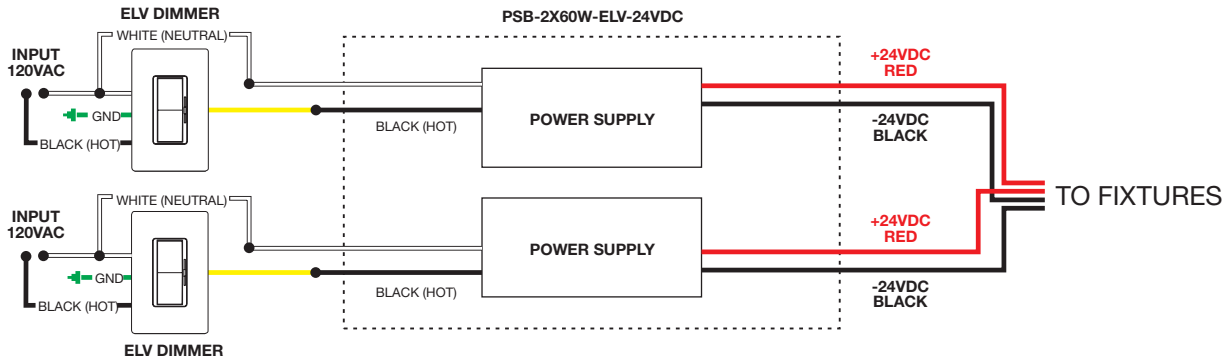
Application: ELV dimming for Static White

Dimming: Dimmable with ELV dimmer: Legrand, Adorne ADTP703TU; Lutron: Diva DVELV-300P, Skylark SELV-300P, Maestro MAELV-600 and Radio Ra 2






Application: Dual ELV dimming for Static White

Dimming: Dimmable with ELV dimmer: Legrand, Adorne ADTP703TU; Lutron: Diva DVELV-300P, Skylark SELV-300P, Maestro MAELV-600 and Radio Ra 2



PROJECT	FIXTURE TYPE	DATE
---------	--------------	------

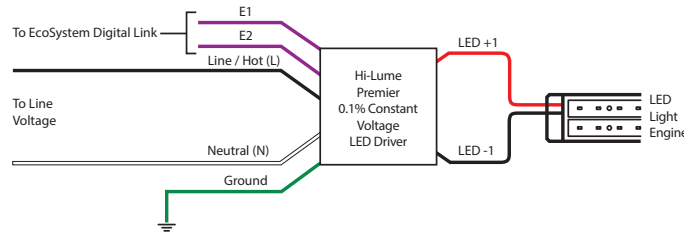
LUTRON HI-LUME® PREMIER .1% ECOSYSTEM®†

ORDERING CODES	L3D0-96W24V-U	2-WIRE ECOSYSTEM LTEA4U1UKL-CV240	3-WIRE ECOSYSTEM L3DA4U1UKL-CV240
			
SPECIFICATIONS			
MAXIMUM LOAD	96W	5W-40W	5W-40W
INPUT VOLTAGE	120-277VAC	120-277VAC	120-277VAC
OUTPUT VOLTAGE	24VDC	24VDC	24VDC
DIMENSIONS	10.5" X 5.5" X 2"	4" X 4.89" X 2.62"	4" X 4.89" X 2.62"
CLASSIFICATION	CLASS 2	CLASS 2	CLASS 2
T-BAR MOUNTING	L3D0-96W24V-U-TB	NA	NA
DIMMING AND CONTROLS			
RADIO RA2	•	•	•
HOMEWORKS QS	•	•	•
PHPM-3F-120	•	•	•
PHPM-3F-DV	•	•	•
BCI-0-10	•	•	•

†22K - 57K color temperatures are compatible with 0-10V, ELV, and Lutron Hi-lume® Power Supplies.

*Title 24 compliant when used with JA8 listed PureEdge systems.

**WIRING DIAGRAM FOR
LTEA4U1UKL-CV240 OR L3D0-96W24V-U
ECOSYSTEM DIGITAL LINK**



**COMPATIBLE DIMMERS FOR
LTEA4U1UKL-CV240 OR L3D0-96W24V-U
ECOSYSTEM DIGITAL LINK**

Product	Model Number		Drivers Per Control	Recommended System Version ²
	120V	277V		
PowPak Dimming Module with EcoSystem	RMJ-ECO32-DV-B URMJ-ECO32-DVB		32 Per EcoSystem link	5.9 or Higher
PowPak Wireless Fixture Control with EcoSystem¹	FJC-ECO FJCS-ECO		3 Per EcoSystem link	0796554 or Higher
Energi Savr Node unit with EcoSystem	QSN-1ECO-S, QSN-2ECO-S, QSN-2ECO-PS120, UQSN-1ECO-S, UQSN-2ECO-S,		64 Per EcoSystem link	9.027 or Higher
GRAFIK Eye QS unit with EcoSystem	QSGRJ-_E- QSGR-_E-	-	64 Per EcoSystem link	9.009 or Higher
Quantum Light Management Hub	AYF-103P-	-	64 Per EcoSystem link	3.2 or Higher ³
Homeworks QS with EcoSystem	LQSE-2ECO-D- QSGRJ-_E- QSGR-_E-	-	64 Per EcoSystem link	10 or Higher ⁴

1: All devices connected to one PowPak Wireless Fixture Control will be controlled together. Devices will dim to the same level as the result of a control command. The wireless fixture control will need to have it's low end level reprogrammed to dim to 0.1% output. For more details on adjusting low end light level refer to Application Note #556 at www.Lutron.com

2: For lower system versions please visit www.Lutron.com/LEDsystemcheck to check if your system requires changes

3: Version 3.1 (or later) is required to dim lower than 1%

4: Version 7.0 (or later) is required to dim lower than 1%

PROJECT	FIXTURE TYPE	DATE
---------	--------------	------

INDOOR TUNABLE WHITE 0-10V 96 WATT LED POWER SUPPLY

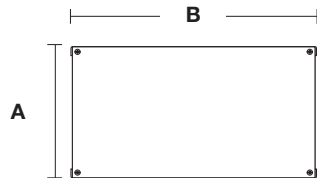
24VDC INDOOR CONSTANT VOLTAGE, TWO CHANNEL CONTROLS, FOR INTENSITY AND COLOR TEMPERATURE

DESIGNED BY GREGORY KAY | ASSEMBLED IN AMERICA

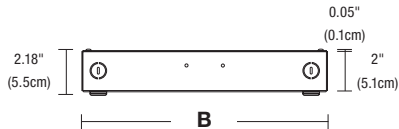
REV 08.02.21



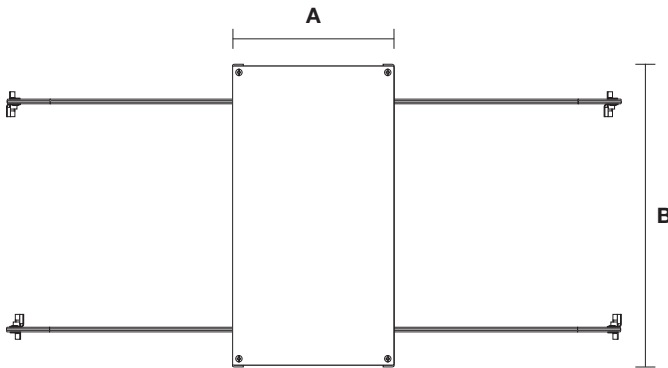
PSB-96W-010-24VDC-2XK



TOP VIEW



SIDE VIEW



PSB-96W-010-24VDC-2XK-TB
(T-BAR GRID CEILING)

STANDARD & T-BAR DIMENSIONS		
	A	B
PSB-96W-010-24VDC-2XK	6.48"	12.15"
PSB-2X96W-010-24VDC-2XK	10"	14"
PSB-3X96W-010-24VDC-2XK	13"	17"
PSB-4X96W-010-24VDC-2XK	13"	17"

DESCRIPTION

Accepts input voltage in a range of 120 - 277VAC and outputs 24VDC power up to 96 watts. The low voltage output dims down to 1% when two additional wires are connected to a 0-10V dimmer. The enclosure provides a space inside for electrical connections. In-Wall Power Supply Kit includes power supply, box cover and stud hangers. T-Bar Mounting Kit includes power supply, box cover, and T-bar hangers for installing Junction Box above ceiling with in easy reach. Comes with 4' of 14 gauge pair Teflon cables with quick secure connectors. Power Supply features short circuit, overload and over temperature protection.

APPLICATIONS

Indoor, Damp Location

MOUNTING

Surface mounted with conduit access

POWER INPUT

120-277VAC

POWER OUTPUT

Class 2; 24 volts DC 4A, up to 96 watts maximum

EFFICIENCY

90%

AMBIENT OPERATING TEMPERATURE

-25° C to 40° C

DIMMING

#1 Controls the intensity. #2 Controls the Color Temperature.
0-10V (dimmer needs to be capable to dim to 0% without ON/OFF switch)

DIMMING CURVE

Linear, Logarithmic 100% - 0% (HydraDrive)

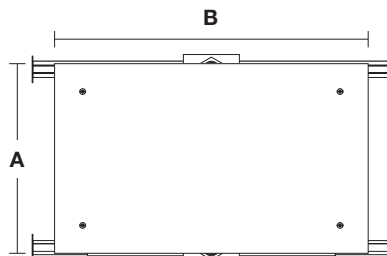
COMPLIANCE

Made in the USA, UL, CE, Title 28, Plenum for use in Accordance with UL 2043.
*Title 24 with JA8 listed PureEdge products and systems

Product	Wattage	Dimming	Voltage	Color Temperature	Options
PSB	96W	010	24VDC	2XK	STANDARD (Leave Blank)
PSB Power Supply with Enclosure Box with Tunable White 0-10V Controller	96W 96 Watts 2X96W 2x96 Watts 3X96W 3x96 Watts 4X96W 4x96 Watts	010 0-10 Volt Dimming	24VDC 24 Volt DC	2XK Tunable White	TB T-Bar Grid Ceiling IW* In-Wall Kit *96 watts only



PSB-96W-010-24VDC-2XK-IW



PSB-96W-010-24VDC-2XK-IW (IN WALL KIT)

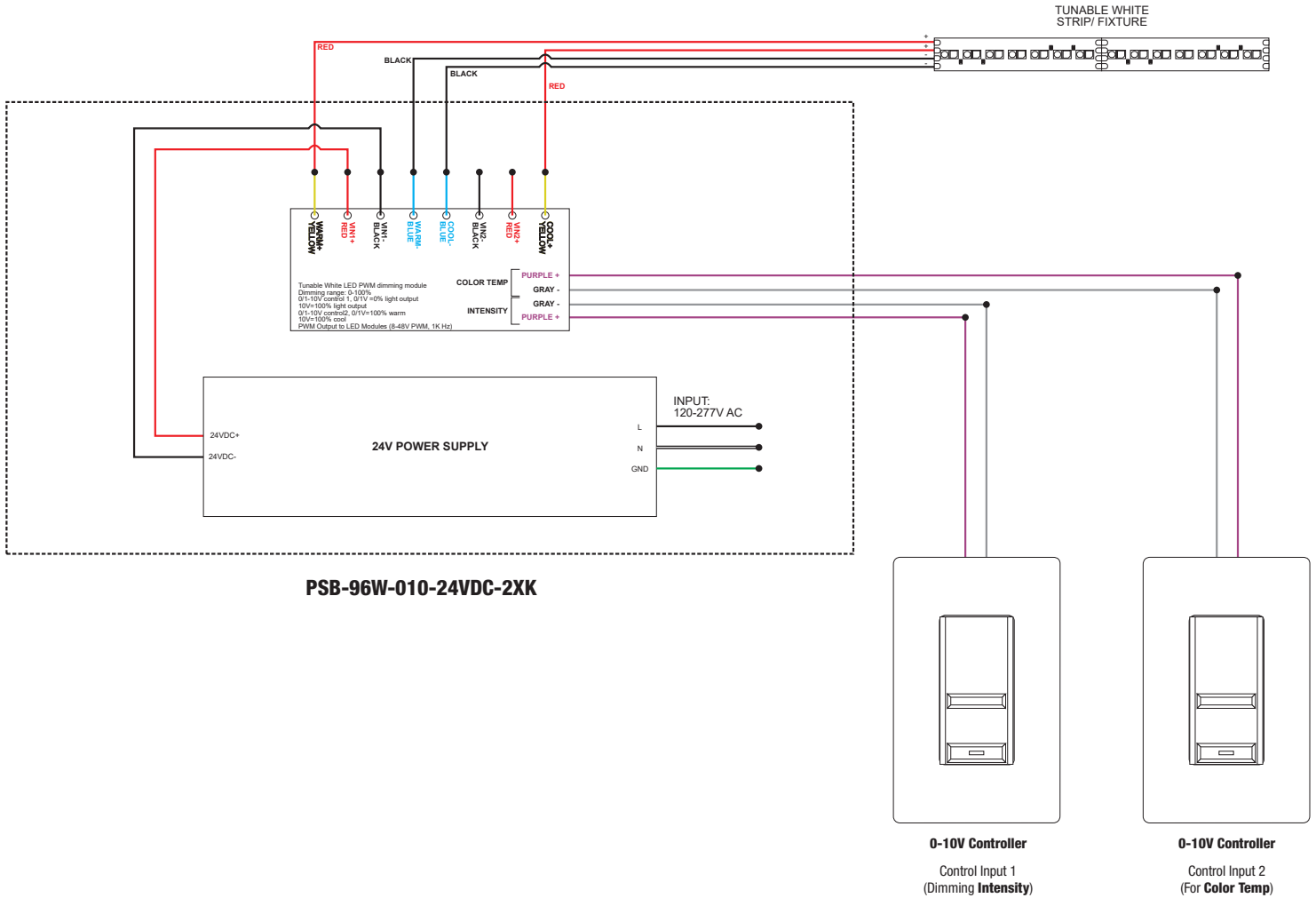
IN-WALL DIMENSIONS		
	A	B
PSB-96W-010-24VDC-2XK-IW	8.5"	14.25"

PROJECT	FIXTURE TYPE	DATE
---------	--------------	------

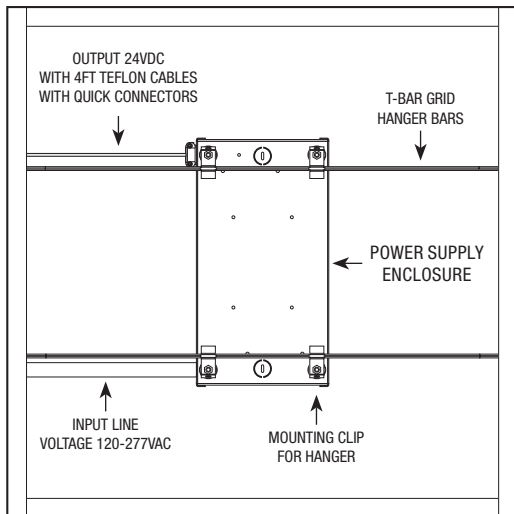
INDOOR TUNABLE WHITE 0-10V 96 WATT LED POWER SUPPLY

24VDC INDOOR CONSTANT VOLTAGE, TWO CHANNEL CONTROLS, FOR INTENSITY AND COLOR TEMPERATURE

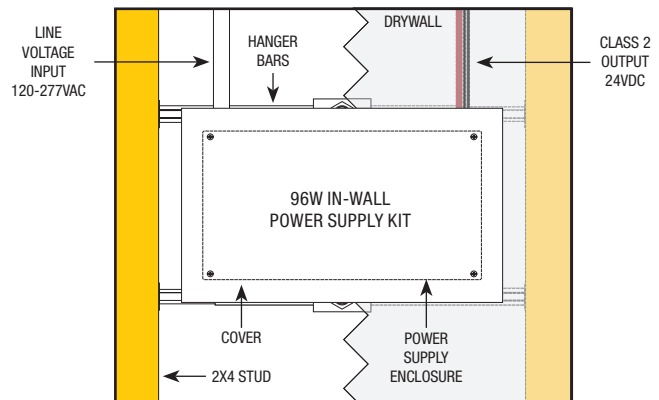
Application: 0-10V dimming for Tunable White LED Strip/Fixture



T-BAR GRID CEILING



IN WALL KIT

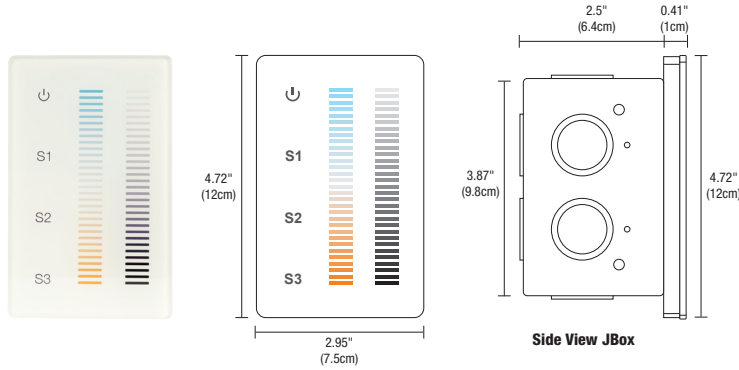


PROJECT	FIXTURE TYPE	DATE
---------	--------------	------

TUNABLE WHITE DMX CONTROLLER AND POWER SUPPLIES

24VDC INDOOR CONSTANT VOLTAGE POWER SUPPLIES WITH DRIVERS

REV 08.02.21



DESCRIPTION:

The Tunable White Touch Controller offers fast and accurate Color Temperature adjustment and the ability to regulate the Brightness Independently. The modern Glass faceplate features illuminated indicators, and a back-lit night light that softly illuminates the controller when powered off. Designed for Tunable White, and dual-color LED installations within a single zone. The two Vertical Touch sliders are precise and sensitive, allowing you to fine-tune your perfect Color Temperature at any point between **2000K** (Sunset) to **6500K** (Daylight White) while selecting over 250 levels of Brightness in a smooth, uninterrupted transition. Create Thousands of White Color Combinations while maintaining even Brightness and overall saturation. Easily save three pre-set scenes for different times of the day. Support health, performance, and general well-being using Human-Centric lighting by fine-tuning the biological effects that light has on the circadian cycle using the latest in LED technology. Includes a power adapter that fits behind the controller within a standard junction box and fits inside a standard single-gang receptacle (not for use in a multi-gang box). Use with an insulated, 24 AWG stranded, tinned copper wire (Belden #9841). Power Supplies are Sold Separately. Includes a 5 year pro-rated warranty.

APPLICATIONS:

Indoor

OUTPUT SIGNAL:

USITT DMX 512 (1990)

INSTALLATION:

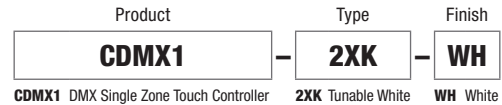
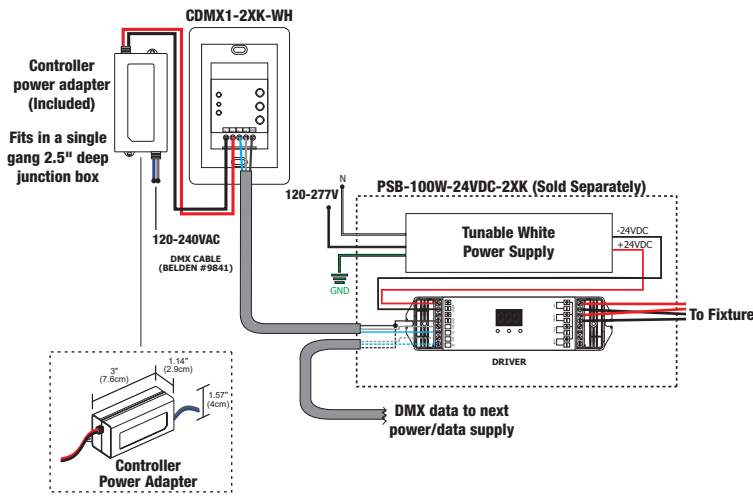
Fits in a single gang 2.5" deep junction box. Not compatible with multi-gang boxes.

LABELS:

ROHS, FCC, Damp Location, ETL/UL

POWER INPUT:

120-240VAC

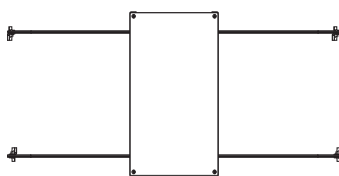


COLOR CHANGING (DMX) POWER SUPPLIES

ORDERING CODE	PSB-100W-24VDC-2XK	PSB-2X100W-24VDC-2XK	PSB-3X100W-24VDC-2XK	PSB-4X100W-24VDC-2XK
SPECIFICATIONS				
MAXIMUM LOAD OF LED STRIP LENGTH	100W 5 WATTS - 20FT MAX. 10 WATTS - 10FT MAX.	2X100W 5 WATTS 2 X 20FT MAX. 10 WATTS - 2 X 10FT MAX.	3X100W 5 WATTS 3 X 20FT MAX. 10 WATTS - 3 X 10FT MAX.	4X100W 5 WATTS 4 X 20FT MAX. 10 WATTS - 4 X 10FT MAX.
INPUT VOLTAGE	120-277VAC	120-277VAC	120-277VAC	120-277VAC
OUTPUT VOLTAGE	24VDC	24VDC	24VDC	24VDC
DIMENSIONS	12.4" X 6.48" X 2.18"	14" X 10" X 3"	17" X 10" X 3"	17" X 10" X 3"
CLASSIFICATION	CLASS 2	CLASS 2	CLASS 2	CLASS 2
T-BAR MOUNTING	PSB-100W-24VDC-2XK-TB	PSB-2X100W-24VDC-2XK-TB	PSB-3X100W-24VDC-2XK-TB	PSB-4X100W-24VDC-2XK-TB
IN-WALL MOUNTING	PSB-100W-24VDC-2XK-IW	NA	NA	NA
DMX TUNABLE WHITE DIMMING & CONTROLS				
TUNABLE WHITE TOUCH CONTROLLER (CDMX1-2XK)	•	•	•	•

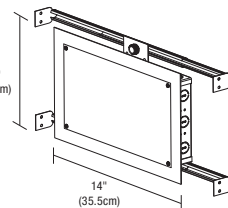
- Flicker free dimming
- Aluminum casing for optimal heat dissipation
- Isolated output power per NEC and UL safety requirements
- UL & ETL recognized/ listed, meets UL 8750, 1310 requirements

- Auto-reset; short circuit, overload and thermal protection
- Class 2 power supply
- Efficient, High power factor > 0.90



T-BAR Mounting Kit: Includes power supply, box cover, and T-bar hangers for installing Junction Box above ceiling with in easy reach. Comes with 4ft of 14 gauge pair Teflon cables with quick secure connectors.

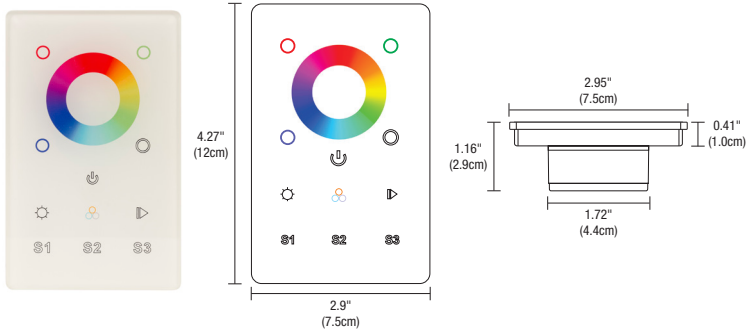
Ordering Codes:
 PSB-100W-24VDC-2XK-TB
 PSB-2x100W-24VDC-2XK-TB
 PSB-3x100W-24VDC-2XK-TB
 PSB-4x100W-24VDC-2XK-TB



8.5" x 14" In-Wall Mounting Kit: Includes power supply, box cover and stud hangers for installing Junction Box in wall. Select "IW" in the options section of compatible power supply ordering codes if an In-Wall Mounting Kit is needed.

Ordering Codes:
 PSB-100W-24VDC-2XK-IW

PROJECT	FIXTURE TYPE	DATE
---------	--------------	------



Description:

Full touch controller offers fast and accurate color tone adjustment and independent brightness control. The 1 zone controller can adjust RGB and RGBW LEDs smoothly and accurately. Independent smooth dimming of each channel enables the controller to achieve millions of colors. For indoor applications only, and includes a Power Adapter to operate the controller.

Applications:

Indoor

Power Input:

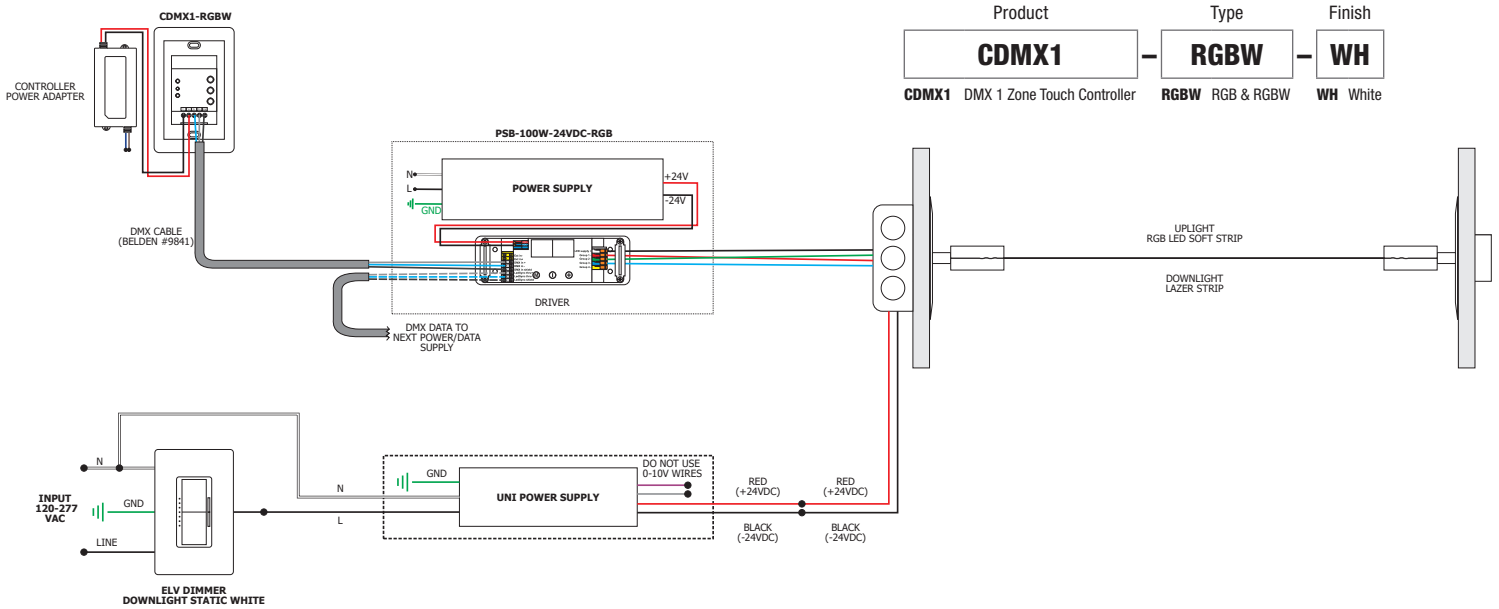
120-277VAC

Installation:

Fits in a single gang 2.5" deep junction box, not to be used with a multi gang box

Output Signal:

USITT DMX 512 (1990)

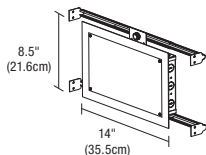


Product	Type	Finish
CDMX1	RGBW	WH
CDMX1 DMX 1 Zone Touch Controller	RGBW RGB & RGBW	WH White

COLOR CHANGING (DMX) POWER SUPPLIES & RECOMMENDED CONTROLLERS

ORDERING CODE	PSB-100W-24VDC-RGB	PSB-2X100W-24VDC-RGB	PSB-3X100W-24VDC-RGB	PSB-4X100W-24VDC-RGB
SPECIFICATIONS				
MAXIMUM LOAD	100W	2X100W	3X100W	4X100W
INPUT VOLTAGE	120-277VAC	120-277VAC	120-277VAC	120-277VAC
OUTPUT VOLTAGE	24VDC	24VDC	24VDC	24VDC
DIMENSIONS	12.14" X 6.48" X 2.18"	14" X 10" X 3"	17" X 13" X 3"	17" X 13" X 3"
CLASSIFICATION	CLASS 2	CLASS 2	CLASS 2	CLASS 2
IN-WALL MOUNTING	PSB-100W-24VDC-RGB-IW	N/A	N/A	N/A
DIMMING & CONTROLS				
TOUCH SCREEN CONTROLLER (CTP)	•	•	•	•
COLOR DIAL CONTROLLER (CDP)	•	•	•	•
DMX 1 ZONE RGBW TOUCH CONTROLLER (CDMX1-RGBW)	•	•	•	•

Classification: UL2108 - * 24VDC over 100 Watts, wires must be in conduit from Remote Power Supply to J-box.



8.5" X 14" IN-WALL MOUNTING KIT

Includes Power Supply, Box Cover, and Stud Hangers for installing Junction Box in wall. Select "IW" in the options section of compatible Power Supply ordering codes if an In-Wall Mounting Kit is needed.

ORDERING CODES: PSB-100W-24VDC-RGB-IW

PROJECT	FIXTURE TYPE	DATE
---------	--------------	------

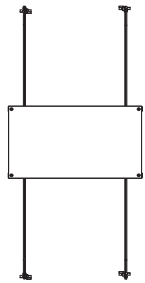
INDOOR DMX RGB/RGBW 24VDC CONSTANT VOLTAGE

24VDC WITH DMX DRIVER, RGB & RGB+W

COLOR CHANGING (DMX) POWER SUPPLIES & RECOMMENDED CONTROLLERS

ORDERING CODE	PSB-100W-24VDC-RGB	PSB-2X100W-24VDC-RGB	PSB-3X100W-24VDC-RGB	PSB-4X100W-24VDC-RGB
SPECIFICATIONS				
MAXIMUM LOAD	100W	2X100W	3X100W	4X100W
INPUT VOLTAGE	120-277VAC	120-277VAC	120-277VAC	120-277VAC
OUTPUT VOLTAGE	24VDC	24VDC	24VDC	24VDC
DIMENSIONS	12.14" X 6.48" X 2.18"	14" X 10" X 3"	17" X 13" X 3"	17" X 13" X 3"
CLASSIFICATION	CLASS 2	CLASS 2	CLASS 2	CLASS 2
T-BAR MOUNTING	PSB-100W-24VDC-RGB-TB	PSB-2X100W-24VDC-RGB-TB	PSB-3X100W-24VDC-RGB-TB	PSB-4X100W-24VDC-RGB-TB
IN-WALL MOUNTING	PSB-100W-24VDC-RGB-IW	N/A	N/A	N/A
DIMMING & CONTROLS				
TOUCH SCREEN CONTROLLER (CTP)	•	•	•	•
COLOR DIAL CONTROLLER (CDP)	•	•	•	•
DMX 1 ZONE RGBW TOUCH CONTROLLER (CDMX1-RGBW)	•	•	•	•

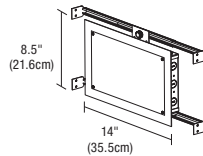
RECOMMENDED CONTROLLERS



T-BAR MOUNTING KIT

Includes power supply, box cover, and T-bar hangers for installing Junction Box above ceiling with in easy reach. Comes with 4' of 14 gauge pair Teflon cables with quick secure connectors.

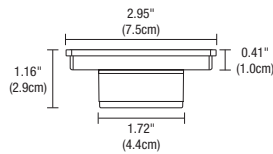
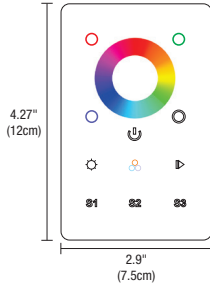
ORDERING CODES: PSB-100W-24VDC-RGB-TB
PSB-2X100W-24VDC-RGB-TB
PSB-3X100W-24VDC-RGB-TB
PSB-4X100W-24VDC-RGB-TB



8.5" X 14" IN-WALL MOUNTING KIT

Includes Power Supply, Box Cover, and Stud Hangers for installing Junction Box in wall. Use ordering code in the In-Wall Mounting row of the specification table if an In-Wall Mounting Kit is needed.

ORDERING CODES: PSB-100W-24VDC-RGB-IW



DESCRIPTION

Full touch controller offers fast and accurate color tone adjustment and independent brightness control. The 1 zone controller can adjust RGBW LEDs smoothly and accurately. Independent smooth dimming of each channel enables the controller to achieve millions of colors. For indoor applications only, and includes a Power Adapter to operate the controller.

APPLICATIONS

Indoor

POWER INPUT

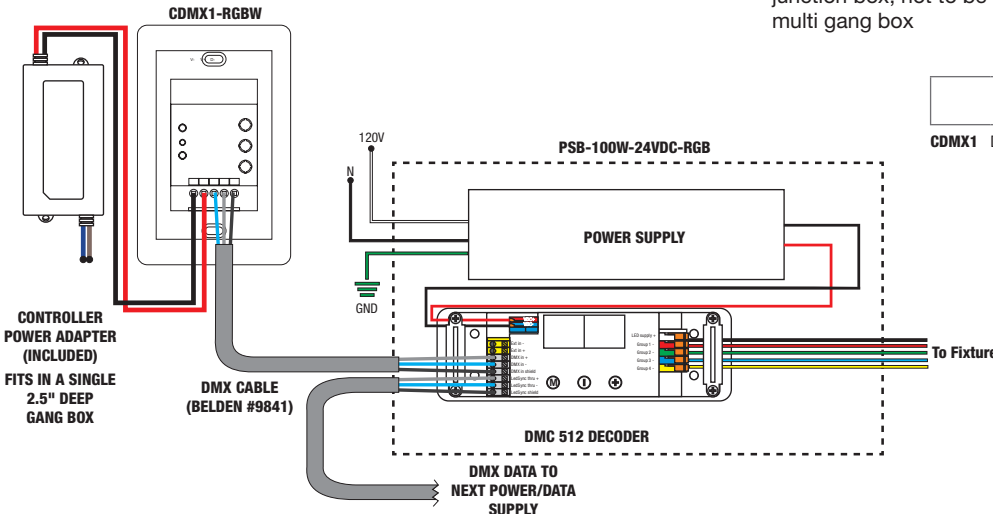
120-277VAC

INSTALLATION

Fits in a single gang 2.5 inch deep junction box, not to be used with a multi gang box

OUTPUT SIGNAL

USITT DMX 512 (1990)



Product	Type	Finish
CDMX1	RGBW	WH
CDMX1 DMX 1 Zone Touch Controller	RGBW Red, Green, Blue and White	WH White

PROJECT	FIXTURE TYPE	DATE
---------	--------------	------

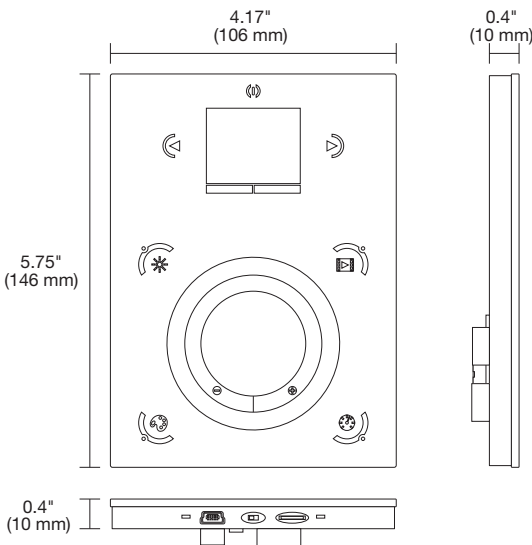
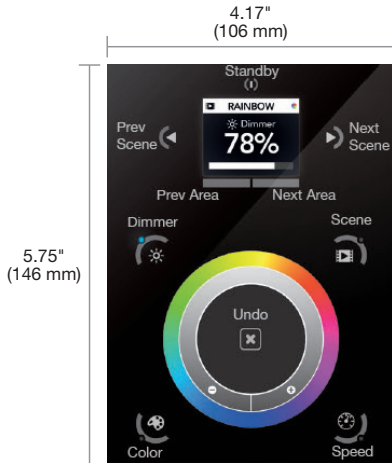


CTP

COLOR TOUCH SCREEN CONTROLLER WITH POWER ADAPTER



REV 08.02.21



DESCRIPTION

Full touch controller offers fast and accurate color tone adjustment and independent brightness control. The 10 zone controller can adjust RGB and RGBW LEDs smoothly and accurately. Independent smooth dimming of each channel enables the controller to achieve millions of colors. For indoor applications only, and includes a Power Adapter to operate the controller.

FEATURES AND BENEFITS

KEY FEATURES:

- Sleek glass design which sits 11mm from the wall
- Graphical color display to show selected environment
- Color/dimmer/speed palette
- Color temperature mixing
- Touch sensitive buttons. No mechanical parts
- Touch sensitive wheel allows for accurate color selection
- Multi-zone microSD memory
- Multi-room control with 500 scenes, 10 zones
- 1024 DMX channels. Control 340 RGB fixtures
- USB & Ethernet connectivity for programming and control
- RS232, Dry Contact Ports and an Infra Red input port
- Clock and calendar with Sunrise/Sunset triggering
- Network communication. Control lighting remotely
- Catalog of designs including black and white glass
- OEM customization of the color palette and logo
- Windows/Mac software to set dynamic colors/effects
- iPhone/iPad/Android remote and programming apps

APPLICATIONS

Indoor

POWER ADAPTER

9VDC 0.65A (included)

POWER INPUT

7VDC 0.6A

OUTPUT SIGNAL

DMX512 1,024 channels total

INPUT SIGNAL

Universal IR receiver (Sold Separately), RS232, Contact Closure, Live Computer Link, DMX512, WiFi

CONNECTIONS

USB, Ethernet, RS232, Clock, 8 dry contact ports, open drain output

MEMORY

microSD (32GB Max)

COMPUTER AND MOBILE DEVICE REQUIREMENTS

IPHONE/IPAD/ANDROID:

The controller may be used with any of the following apps: DMX Lightpad 3, Easy Remote and Arcolis may be downloaded from App Store or Google Play.

ESA PRO SOFTWARE (WINDOWS ONLY, TIMELINE AND MULTI-ZONE):

Windows ME, XP, Vista, 7 or 8 (32 bits and US 2.0, computer connection required for initial setup only.)

ESA2 SOFTWARE (WINDOWS/MAC, SINGLE ZONE):

Windows ME, XP, Vista, 7 or 8

Mac OS X 10.7 (Lion), 10.8 (Mountain lion), 10.9 (Mavericks), 10.10 (Yosemite)

Product	Finish
CTP	BK
CTP Color Touch Screen Controller with Power Adapter	BK Black WH White

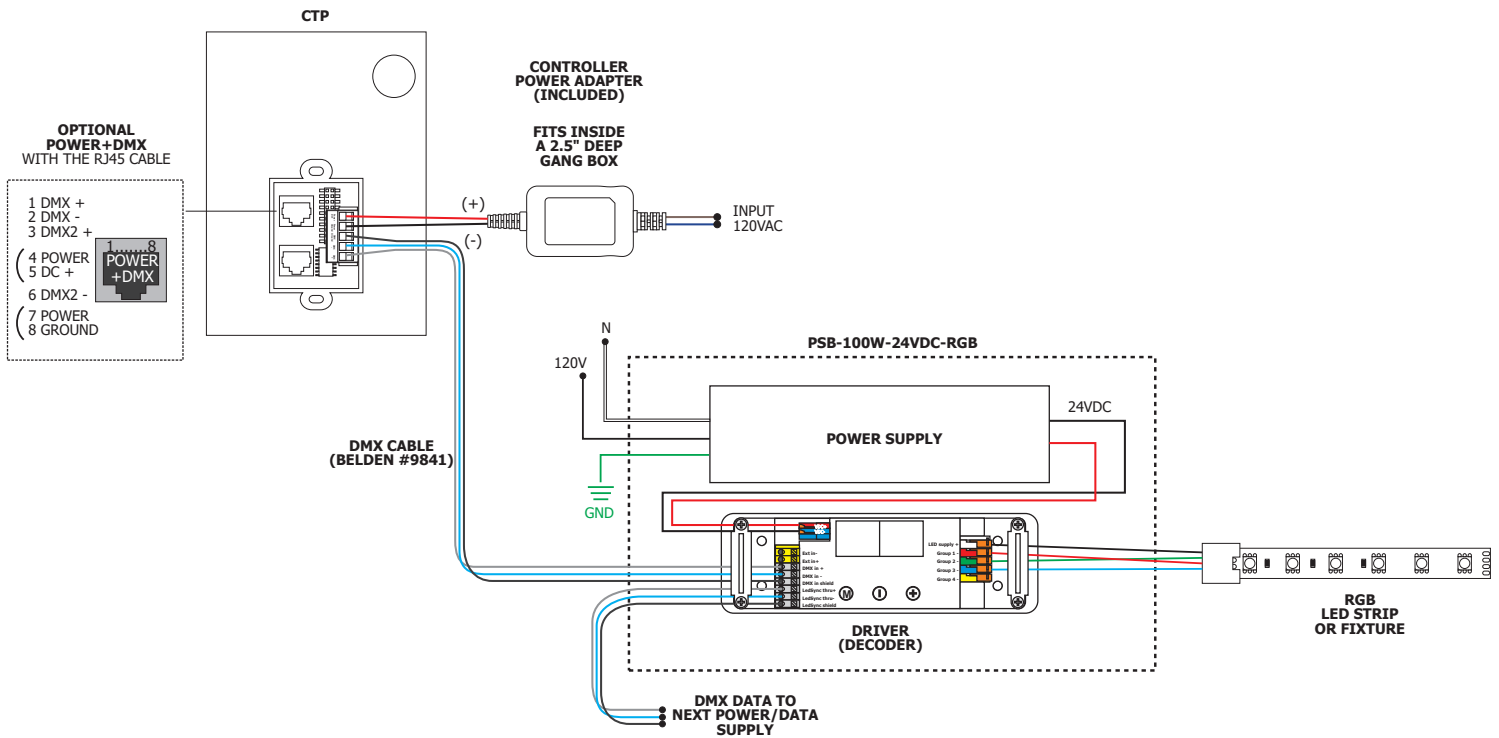
PROJECT	FIXTURE TYPE	DATE
---------	--------------	------



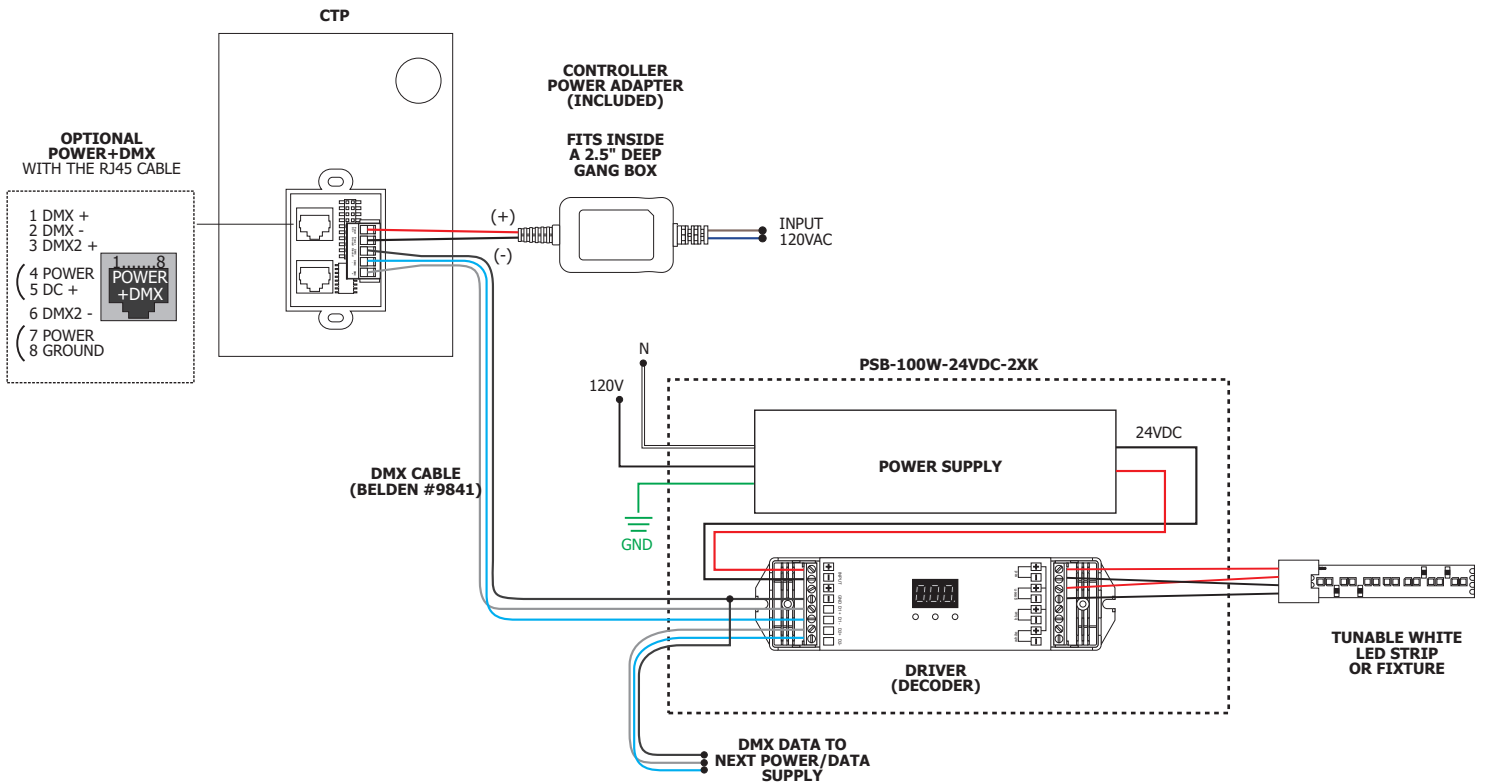
CTP

COLOR TOUCH SCREEN CONTROLLER WITH POWER ADAPTER

RGB Wiring Diagram



Tunable White Wiring Diagram



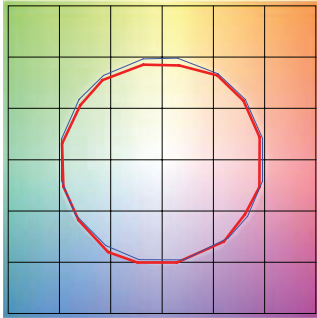
PROJECT	FIXTURE TYPE	DATE
---------	--------------	------

SUSPENSION TM30 DATA

SUSPENDED LED LIGHTING SYSTEM, 24VDC - REMOTE POWER

TM-30-15 DATA: The data below is for Lazer Strip bare LED Soft Strips. Consistent color temperatures throughout a single strip and among multiple strips is possible through a 3 phase binning process in which each order is inspected with a color meter to ensure uniformity.

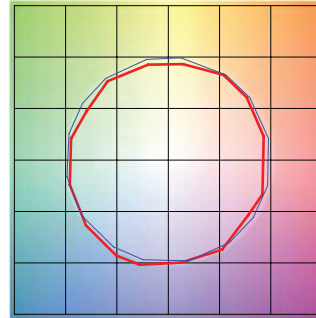
2400K | Rf: 91.2 | Rg: 96.8
Color Vector Graphic



■ Test ■ Reference

GRAPHIC SHIFTS %			
HUE BIN	Rf	CHROMA	HUE
1	92.0	-2.4%	1.5%
2	94.7	-2.1%	0.0%
3	95.4	-1.9%	-0.1%
4	88.7	-6.7%	-3.1%
5	92.8	-5.6%	1.0%
6	92.7	-3.4%	3.4%
7	89.9	-4.3%	4.1%
8	92.4	-1.4%	4.4%
9	89.0	-0.6%	5.8%
10	88.9	0.4%	6.2%
11	89.7	4.0%	5.4%
12	92.6	3.0%	-0.7%
13	90.9	1.1%	-7.0%
14	89.9	0.5%	-5.8%
15	92.1	-3.2%	0.1%
16	88.9	-1.7%	-6.3%

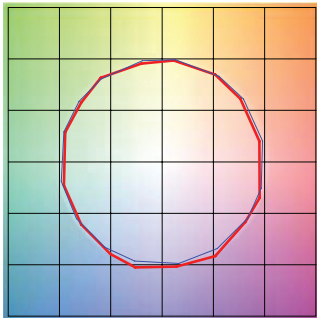
2700K | Rf: 87.7 | Rg: 96.1
Color Vector Graphic



■ Test ■ Reference

GRAPHIC SHIFTS %			
HUE BIN	Rf	CHROMA	HUE
1	88.0	-4.3%	2.6%
2	91.6	-2.4%	2.0%
3	93.7	-1.4%	1.9%
4	88.9	-5.6%	-3.1%
5	92.3	-5.5%	-0.5%
6	92.9	-3.5%	0.1%
7	84.5	-7.5%	4.6%
8	90.8	-3.0%	4.4%
9	84.5	-1.3%	8.3%
10	83.9	2.0%	9.8%
11	87.2	5.3%	7.1%
12	89.2	5.4%	-2.6%
13	88.7	0.3%	-7.8%
14	86.8	1.7%	-9.3%
15	87.6	-5.4%	-1.3%
16	83.6	-3.3%	-9.5%

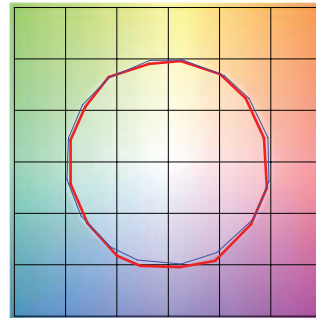
3000K | Rf: 88.1 | Rg: 99.7
Color Vector Graphic



■ Test ■ Reference

GRAPHIC SHIFTS %			
HUE BIN	Rf	CHROMA	HUE
1	92.5	-3.1%	0.3%
2	93.3	-2.3%	1.9%
3	90.9	-0.8%	3.9%
4	94.3	-1.1%	1.4%
5	92.5	-2.6%	1.5%
6	96.4	1.2%	-0.3%
7	92.6	-2.5%	-0.0%
8	96.9	-1.4%	0.2%
9	92.3	-1.8%	4.3%
10	86.6	-0.7%	7.0%
11	86.5	2.4%	8.2%
12	89.8	5.9%	1.7%
13	93.9	2.6%	-2.7%
14	89.4	5.1%	-5.8%
15	90.1	-0.1%	-4.7%
16	86.5	0.3%	-9.7%

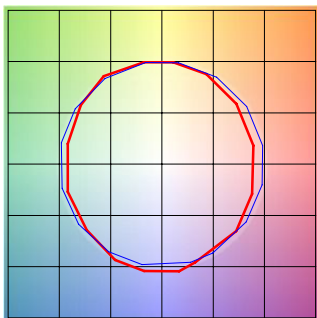
3500K | Rf: 86.1 | Rg: 95.5
Color Vector Graphic



■ Test ■ Reference

GRAPHIC SHIFTS %			
HUE BIN	Rf	CHROMA	HUE
1	90.8	-3.8%	0.3%
2	92.3	-2.8%	2.1%
3	89.7	-1.0%	4.3%
4	92.6	-1.4%	1.7%
5	91.8	-3.1%	1.3%
6	96.2	0.8%	-0.4%
7	92.9	-3.2%	0.2%
8	94.3	-2.5%	1.5%
9	90.4	-2.5%	5.2%
10	84.3	-1.4%	9.5%
11	83.1	3.5%	9.8%
12	88.2	4.8%	3.4%
13	94.0	2.7%	-2.0%
14	88.7	5.9%	-5.8%
15	88.7	0.7%	-5.9%
16	86.8	-0.7%	-6.7%

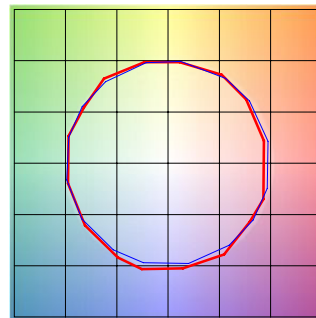
2000K ONLY (2K6K) | Rf: 84.3 | Rg: 96.9
Color Vector Graphic



■ Test ■ Reference

GRAPHIC SHIFTS %			
HUE BIN	Rf	CHROMA	HUE
1	80.3	-8.9%	1.7%
2	79.7	-7.0%	7.8%
3	78.9	-2.9%	10.0%
4	89.5	-0.5%	5.1%
5	94.4	0.7%	1.7%
6	92.1	2.4%	-0.3%
7	89.4	-2.4%	-5.9%
8	89.7	-6.4%	-0.2%
9	86.0	-4.9%	4.6%
10	81.8	-3.4%	9.3%
11	83.1	3.3%	9.7%
12	85.8	5.6%	3.3%
13	85.6	6.2%	-12.8%
14	61.7	-1.9%	-19.0%
15	79.7	-3.3%	-12.9%
16	78.1	-7.9%	-10.6%

3000K (2K6K) | Rf: 90.2 | Rg: 101.4
Color Vector Graphic



■ Test ■ Reference

GRAPHIC SHIFTS %			
HUE BIN	Rf	CHROMA	HUE
1	90.9	-3.8%	1.3%
2	91.7	-1.9%	3.3%
3	88.7	0.7%	5.1%
4	92.4	-1.0%	0.7%
5	92.9	0.9%	1.7%
6	93.1	3.3%	-0.6%
7	91.0	-1.8%	-0.4%
8	97.0	0.2%	-1.1%
9	92.8	-0.5%	3.6%
10	88.3	1.0%	7.0%
11	87.1	3.8%	7.8%
12	87.6	6.5%	-0.3%
13	89.3	3.6%	-6.3%
14	86.1	4.5%	-9.1%
15	91.6	-1.9%	-3.1%
16	83.8	-1.5%	-11.2%

PROJECT	FIXTURE TYPE	DATE
---------	--------------	------

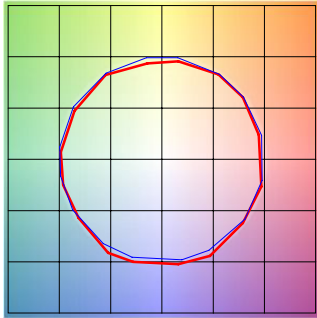
SUSPENSION TM30 DATA

SUSPENDED LED LIGHTING SYSTEM, 24VDC - REMOTE POWER

TM-30-15 DATA: The data below is for Lazer Strip bare LED Soft Strips. Consistent color temperatures throughout a single strip and among multiple strips is possible through a 3 phase binning process in which each order is inspected with a color meter to ensure uniformity.

4000K ONLY (2K4K) | Rf: 89.6 | Rg: 99.1

Color Vector Graphic



■ Test ■ Reference

GRAPHIC SHIFTS %			
HUE BIN	Rf	CHROMA	HUE
1	91.3	-2.5%	1.0%
2	95.3	-0.5%	0.5%
3	94.3	-0.7%	1.1%
4	91.1	-3.4%	-1.1%
5	89.5	-5.6%	0.0%
6	94.6	-1.4%	1.3%
7	93.2	-3.0%	2.6%
8	91.3	-1.8%	4.6%
9	86.5	-0.9%	9.1%
10	83.3	-0.5%	9.5%
11	83.3	4.9%	9.0%
12	89.7	4.1%	1.7%
13	90.1	3.6%	-4.3%
14	93.4	5.2%	-2.1%
15	87.4	0.4%	-4.3%
16	86.6	0.4%	-6.1%

PROJECT		FIXTURE TYPE		DATE	
---------	--	--------------	--	------	--