



1718 W. Fullerton Chicago, IL 60614
 Ph: 773.770.1195 • Fax: 773.935.5613
 www.PureEdgeLighting.com • info@PureEdgeLighting.com
 © 2016 PureEdge Lighting. All Rights Reserved.

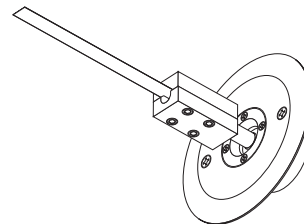
Installation Instructions for Lazer Line Direct/Indirect

LZUD-___

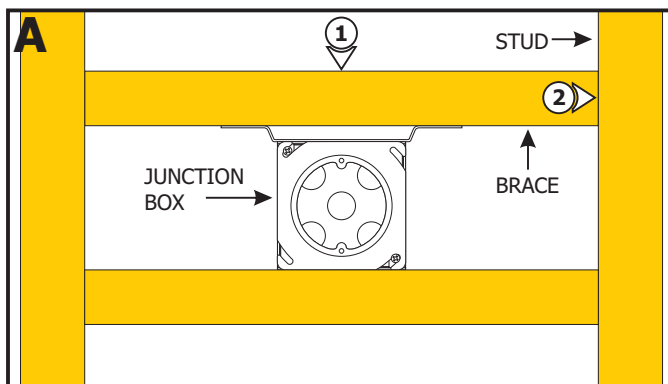
IMPORTANT INFORMATION

- This instruction shows a typical installation.
- This product is ETL listed.
- It is recommended more than one person assist in this installation.

SAVE THESE INSTRUCTIONS!



Section One: Install the Power Feed Turnbuckle



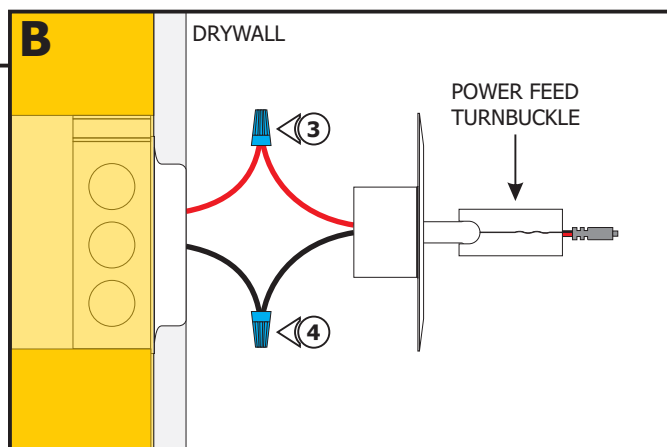
NOTE: Ensure the junction box is mounted to a solid structure such as brick, cement, or wood studs.

- 1: Cut a 16" long 2x4 brace and secure the junction box to the brace with screws. If necessary, place a second brace under the junction box for more stability.
- 2: Locate and secure the brace between the studs where the turnbuckles will be mounted.

NOTE: The low voltage wires should be present in the electrical box. Refer to the instructions provided with the power supply to install the low voltage wires before proceeding with the steps below.

For LED Lazer Strips:

- 3: Connect the red power connector wire to the +24VDC red power supply wire with a wire nut.
- 4: Connect the black power connector wire to the -24VDC black power supply wire with a wire nut.
- 5: Place all wires inside the electrical box.

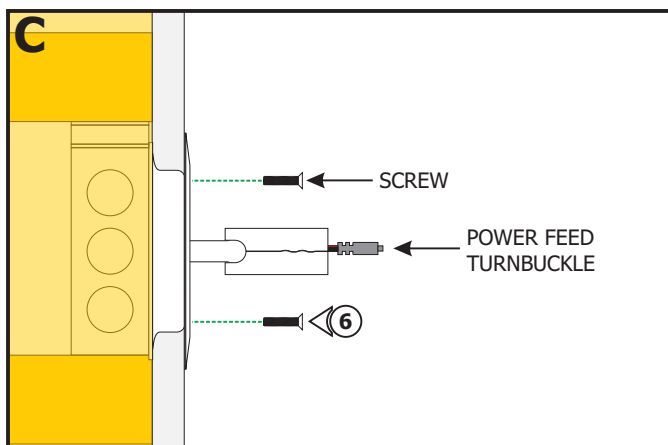


- 6: Secure the power feed turnbuckle to the electrical box by tightening the two provided screws.

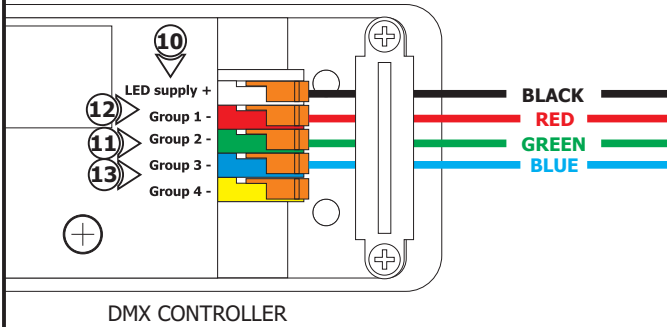
- 7: Determine the location for the other power feed turnbuckle, either face to face with the first turnbuckle (up to 60 feet away) or diagonal up to 120° from the power feed turnbuckle.

- 8: Repeat steps 1 through 6 for additional power feeds.

CAUTION: Unroll the entire LED strip from the reel and use the power connector to power the strip making sure there is no outage before continuing with the installation. Afterwards, carefully roll the LED strip loosely back into the reel.



D



NOTE: The DMX Controller (DVR-RGB-60) terminals adapt maximum 18 AWG size. To avoid voltage drop, use 6" of 18 AWG size in RGB terminals connected inline to proper size gauge wire attached to the RGB LED wires with wire nuts. See the "Low Voltage Wire Size Chart" below.

For RGB Strip:

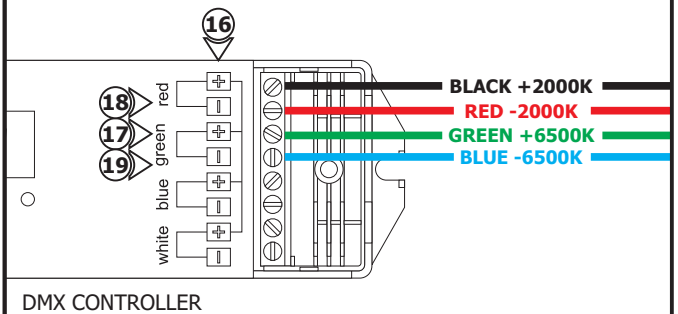
- 9:** Run the proper size black, green, red, and blue wires from the fixture to the power supply enclosure.
- 10:** Connect the black fixture wire to the DMX controller "LED SUPPLY+" white terminal.
- 11:** Connect the green fixture wire to the DMX controller green terminal.
- 12:** Connect the red fixture wire to the DMX controller red terminal.
- 13:** Connect the blue fixture wire to the DMX controller blue terminal.

NOTE: Omit steps 14 through 19 if using two channel controls. Refer to steps 20 through 24.

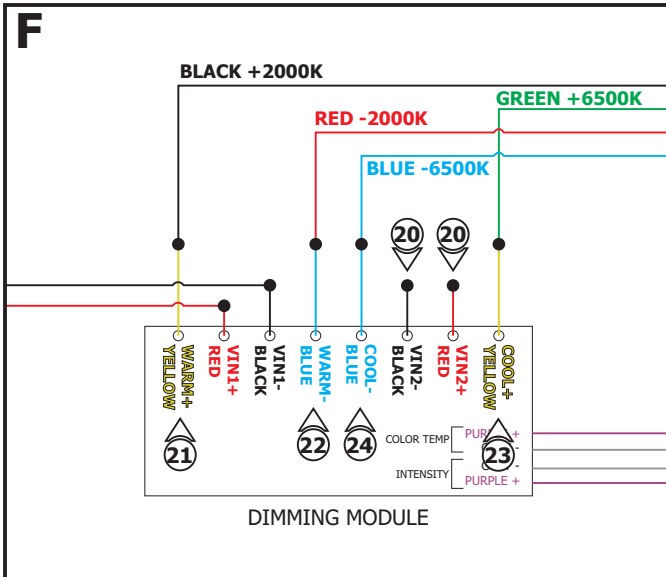
For Tunable White Strip with DMX Control:

- 14:** Use the "Low Voltage Wire Size Chart" below to determine proper wire size connecting to the DMX controller terminals.
- 15:** Run the proper size black, green, red and blue wires from the fixture to the power supply enclosure.
- 16:** Connect the black wire for +2000K to the red "+" DMX terminal and tighten the screw.
- 17:** Connect the green wire for +6500K to the green "+" DMX terminal and tighten the screw.
- 18:** Connect the red wire for -2000K to the red "-" DMX terminal and tighten the screw.
- 19:** Connect the blue wire for -6500K to the green "-" DMX terminal and tighten the screw.

E



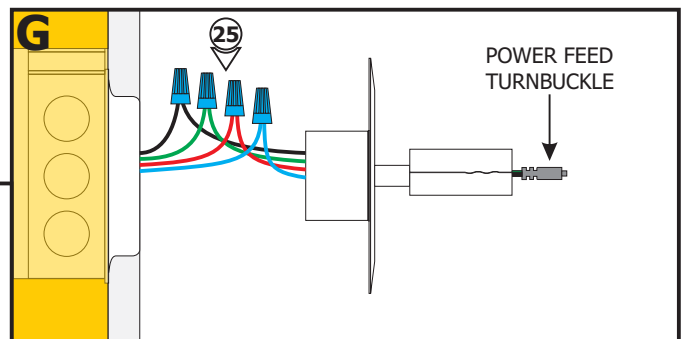
100W, 24VAC LOW VOLTAGE WIRE SIZE CHART					
3% VOLTAGE DROP	WIRE LENGTH IN FT	UP TO 31FT	32FT-49FT	50FT-81FT	82FT-124FT
	WIRE SIZE	14 AWG	12 AWG	10 AWG	8 AWG
	VOLTAGE AT END OF THE WIRE	23.28 VAC	23.29 VAC	23.28 VAC	23.28 VAC



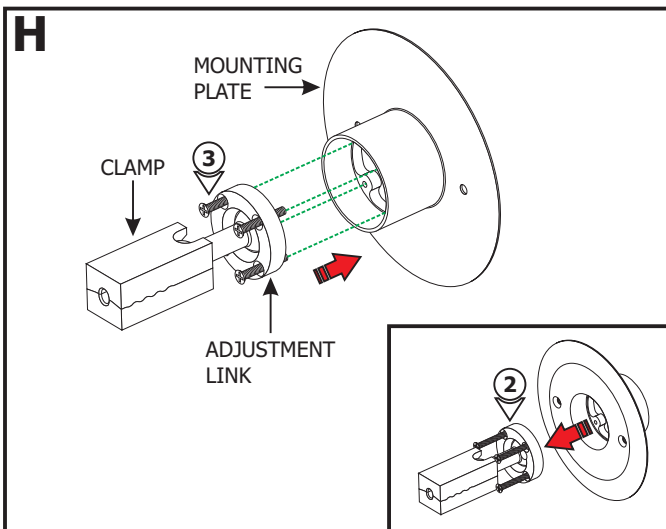
For Tunable White Strip with Two Channel Controls:

- 20:** The Vin2+ Red and Vin2- Black wires are not used in this procedure. Cap the Vin2+ Red and Vin2- Black wires using wire nuts.
- 21:** Connect the black wire for +2000K to the Warm+ Yellow dimming module wire using a wire nut.
- 22:** Connect the red wire for -2000K to the Warm- Blue dimming module wire using a wire nut.
- 23:** Connect the green wire for +6500K to the Cool+ Yellow dimming module wire using a wire nut.
- 24:** Connect the blue wire for -6500K to the Cool- Blue dimming module wire using a wire nut.

- 25:** Refer to the instructions provided with the power supply and wiring diagrams on pages 9 and 10 to connect the wires properly.
- 26:** Repeat for additional power feeds.



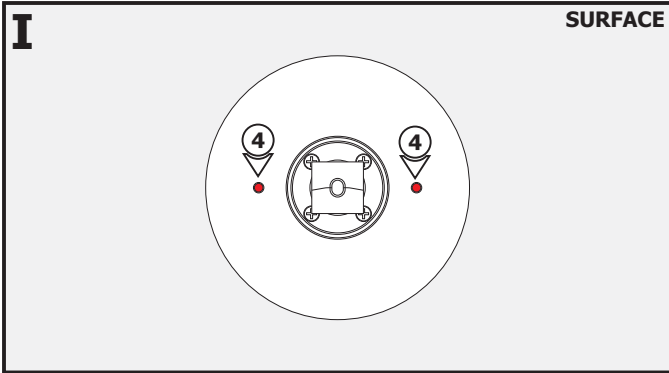
Section Two: Install the Non-Power Feed Turnbuckle



- NOTE:** Ensure the turnbuckle is mounted to a solid structure such as brick, cement, or wood studs.
- 1:** Determine the location for the non-power feed turnbuckle, either face to face with the power feed turnbuckle (up to 60 feet away) or diagonal up to 120° from the power feed turnbuckle.
- NOTE:** Choose one of the two options to install the non-power feed turnbuckle.

Option A:

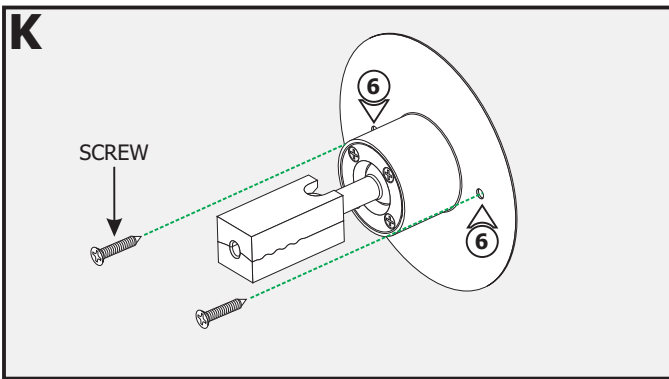
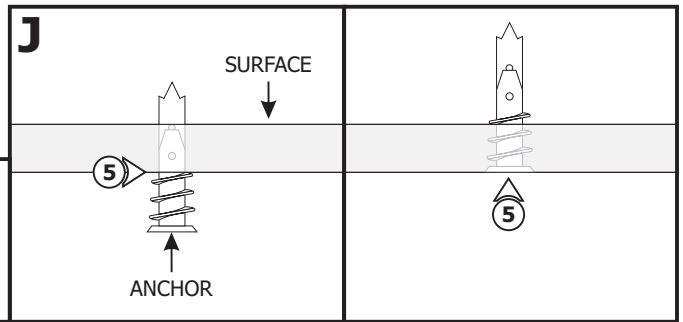
- 2:** Remove the four screws from the turnbuckle mounting plate and remove the clamp and adjustment link.
- 3:** Insert the clamp and adjustment link on the other side of the mounting plate and secure with the four screws.



4: Place the turnbuckle against the surface and mark the two screw holes.

NOTE: Omit step 5 if installing to a wood surface.

5: Tap the anchors onto the marked points up to the threaded portion with a hammer. Screw in the threaded portion of the anchors with a Phillips screwdriver.

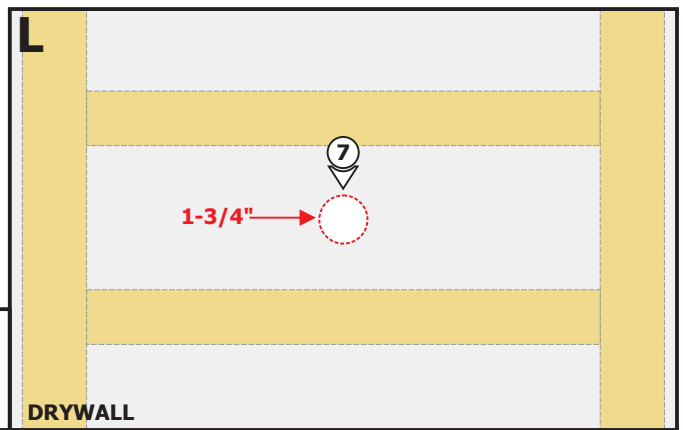


6: Align the holes with the turnbuckle and secure it in place with the two #8 screws.

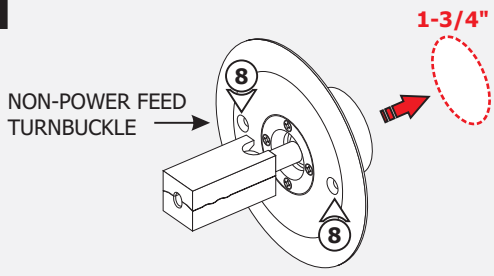
NOTE: The Lazer Line turnbuckle rotates maximum 60 degrees in any direction allowing the Lazer Line to be installed diagonally.

Option B:

7: Use only a 1-3/4" circular saw to cut out the drywall where the turnbuckle is going to be installed.



M

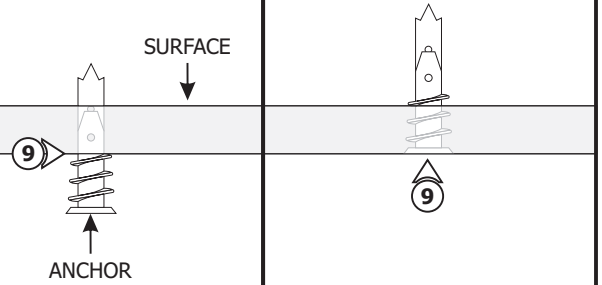


8: Place the turnbuckle into the hole and mark the two screw holes.

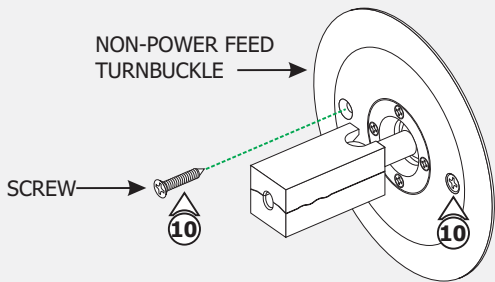
NOTE: Omit step 9 if installing to a wood surface.

9: Tap the anchors onto the marked points up to the threaded portion with a hammer. Screw in the threaded portion of the anchors with a Phillips screwdriver.

N



O

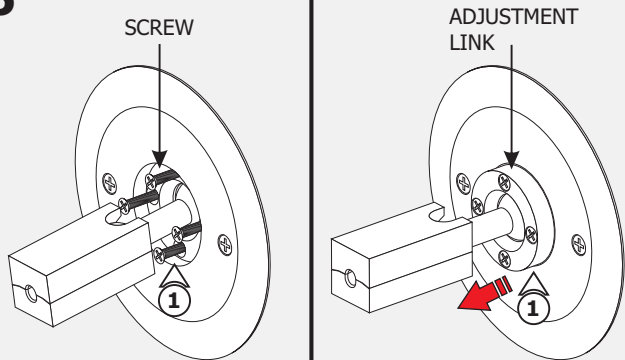


10: Push the non-power feed turnbuckle into the 1-3/4" cutout hole. Align the holes with the turnbuckle and secure it in place with the two #8 screws.

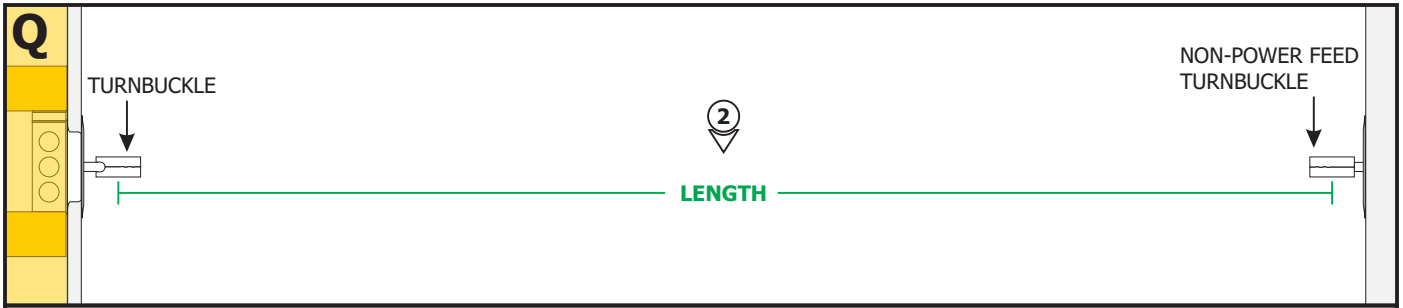
NOTE: The Lazer Line turnbuckle rotates maximum 60 degrees in any direction allowing the Lazer Line to be installed diagonally.

Section Three: Install the Aluminum Line Tape

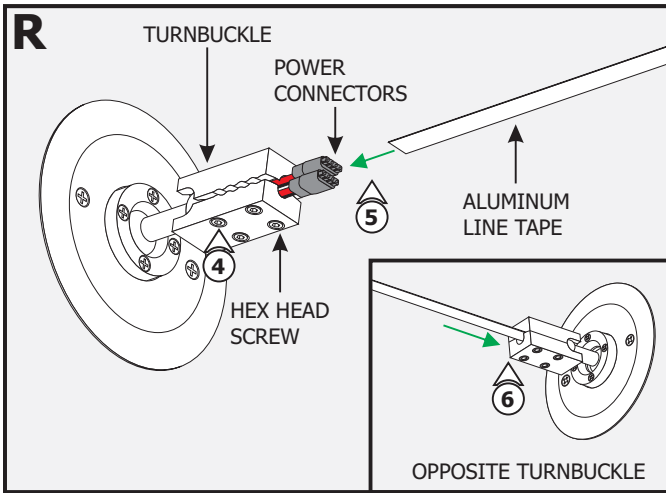
P



1: Loosen (**Do Not Remove**) the four Phillips screws on the adjustment link of each turnbuckle and pull the turnbuckle with the adjustment link out for maximum adjustments.



- 2:** Measure the distance between the two Turnbuckles hex head screws to determine the Aluminum Line Tape length.
- 3:** Cut the Aluminum Line Tape to determined length.

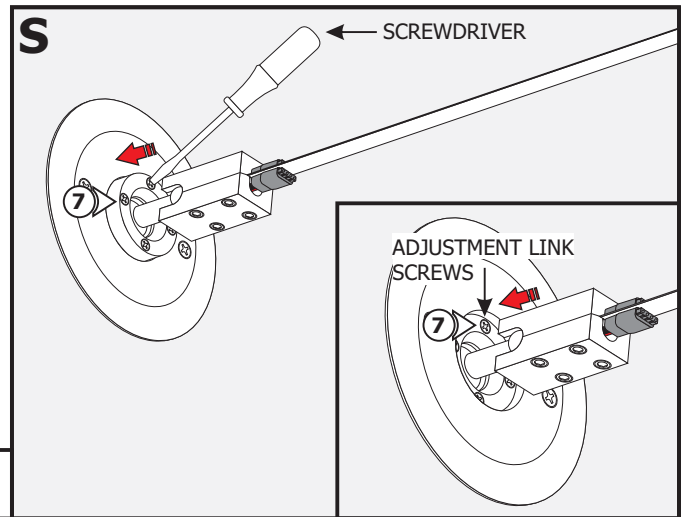


- 4:** Slightly loosen the hex head screws on each turnbuckle with the provided Allen wrenches.

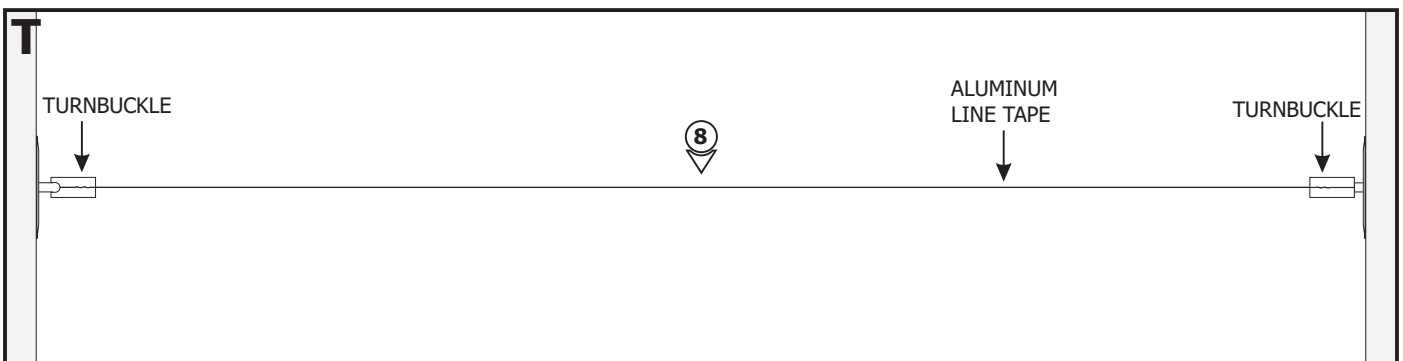
NOTE: The Aluminum Line Tape must be inserted completely in line with turnbuckles to hold the tension.

- 5:** Carefully insert the Aluminum Line Tape between the two power connectors, with the power connectors exposed, into the power feed turnbuckle making sure to fasten the hex head screws very tight using provided Allen wrenches.

- 6:** Insert the other end of the Aluminum Line Tape into the opposite turnbuckle and tighten the hex head screws.

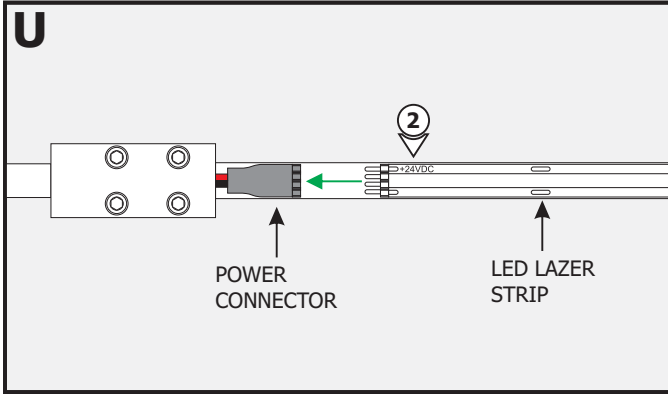


- 7:** Tighten the four phillips screws on each adjustment link for the Aluminum Line Tape to stay taut.



- 8:** Ensure the Aluminum Line Tape is taut before continuing.

Section Four: Install the LED Strips - Two Power Feeds on One End



NOTE: Omit this section if using two power feeds on both ends of the Lazer Line. Refer to Section Five.

- 1: Clean the Aluminum Line Tape thoroughly with alcohol (pads provided) where the LED strips will be installed.
- 2: Align the +24V marking on the LED Lazer Strip with the red wire of the power connector. For RGB and Tunable White, align the +24V marking with the black wire of the power connector.

3: Push the pins of the LED Lazer Strip, RGB or Tunable White strip into the power connector. Remove the backing from the strip and firmly press down onto the Aluminum Line Tape.

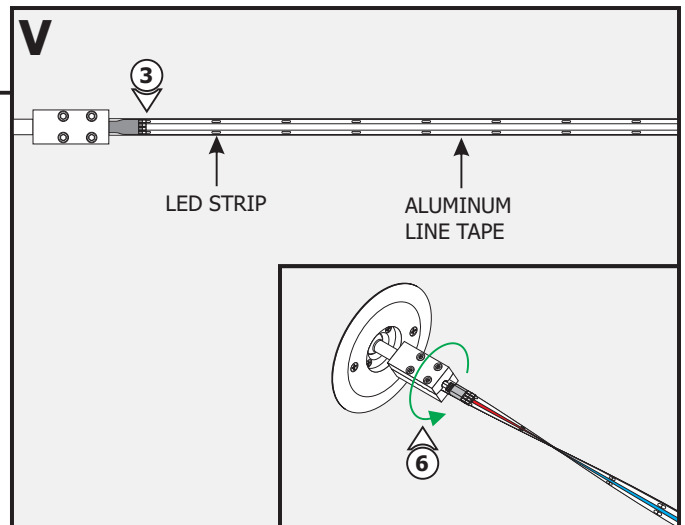
4: If necessary, trim excess LED Lazer Strip **ONLY** on the cuttable section.

5: Repeat steps 1 through 4 for the other Lazer Strip, RGB or Tunable White strip.

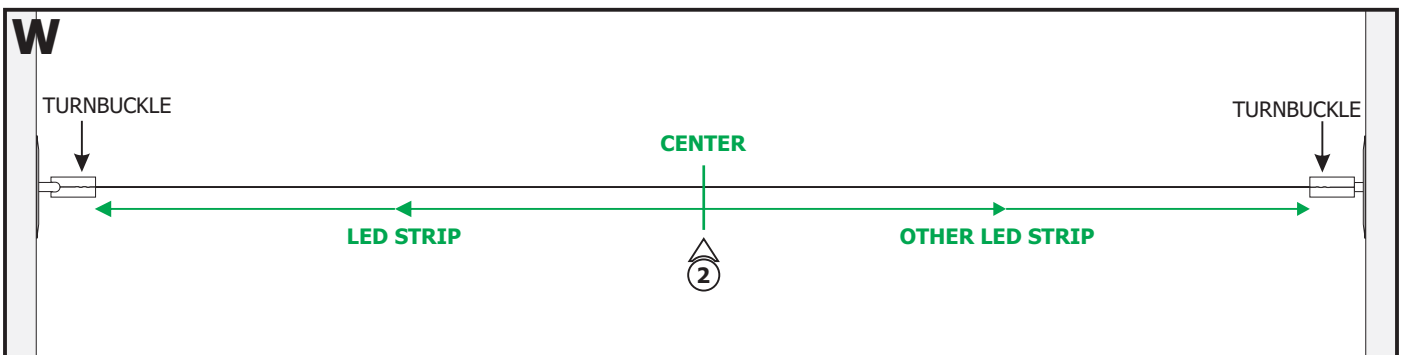
NOTE: Repeat step 7 in Section Three so that the Aluminum Line Tape stays taut.

Optional:

6: Rotate the clamp to twist the Aluminum Line Tape.

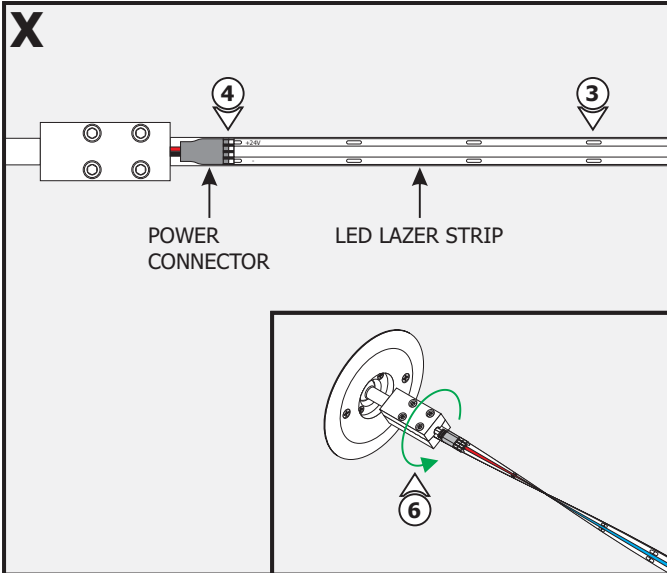


Section Five: Install the LED Strips - Two Power Feeds on Both Ends



1: Clean the Aluminum Line Tape thoroughly with alcohol (pads provided) where the LED strips will be installed.

2: To avoid gaps, start at the center of the Aluminum Line Tape. Align and place both LED strips on the center of the Aluminum Line Tape.



3: Remove the backing from the LED strip and firmly press down onto the Aluminum Line Tape.

4: Align the +24V marking on the LED Lazer Strip with the red wire of the power connector. For RGB and Tunable White, align the +24V marking with the black wire of the power connector.

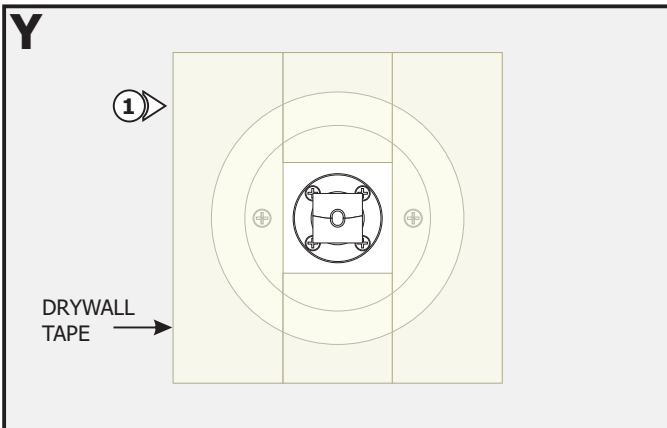
5: Repeat steps 3 and 4 for the other LED Lazer Strip, RGB or Tunable White strip.

NOTE: Repeat step 7 in Section Three so that the Aluminum Line Tape stays taut.

Optional:

6: Rotate the clamp to twist the Aluminum Line Tape.

Section Six: Plaster the Turnbuckle (Optional)



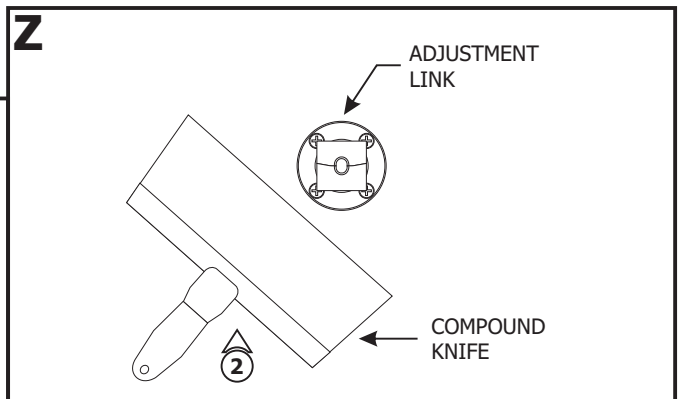
1: Apply drywall tape (Ultra-Thin drywall tape suggested) along edges of turnbuckle back plate to prevent cracking of plaster. **Do Not** overlap strips of drywall tape.

NOTE: Recommended plaster method: 1st Coat - Durabond 45 with 8" Blade, 2nd Coat - Easy Sand 45 with 10" Blade, 3rd Coat with 12" Blade

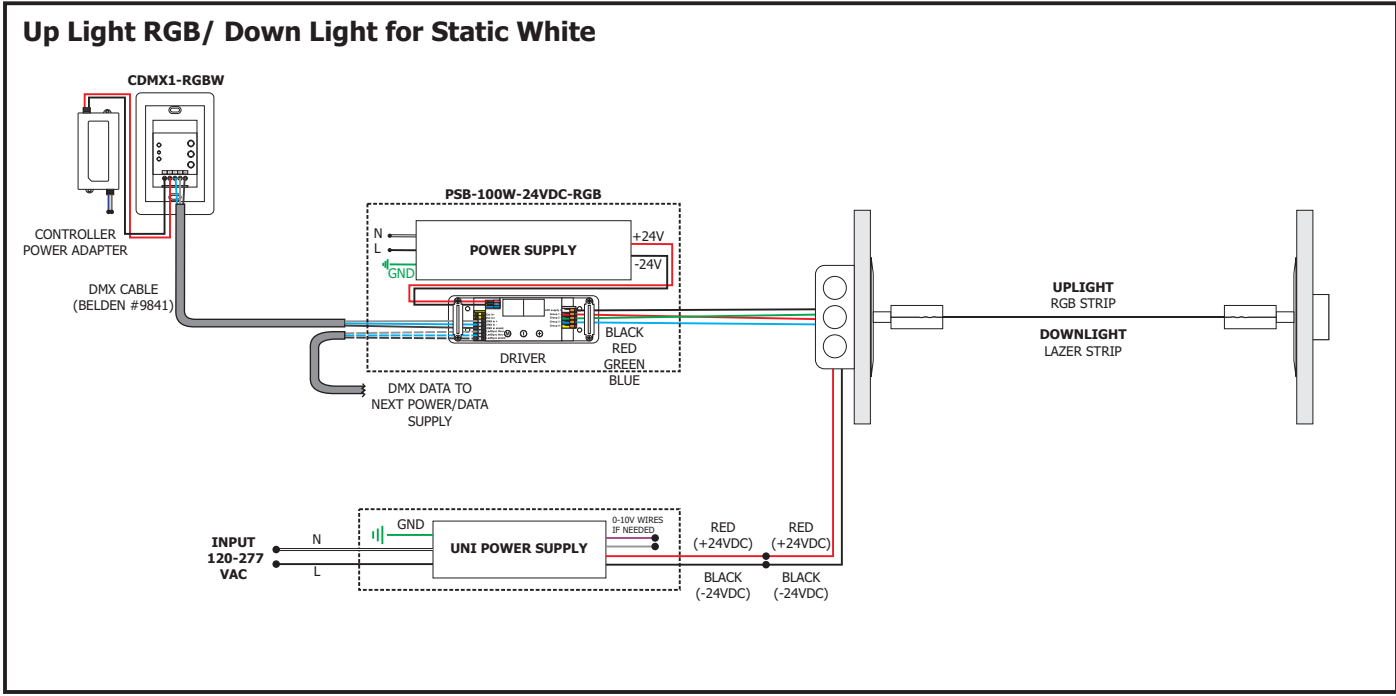
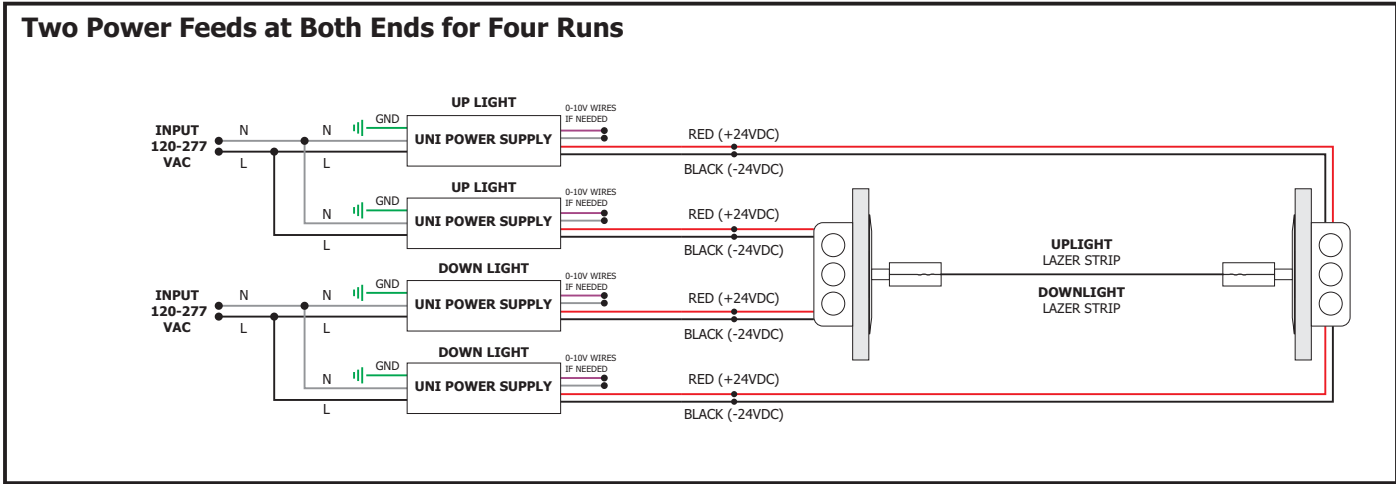
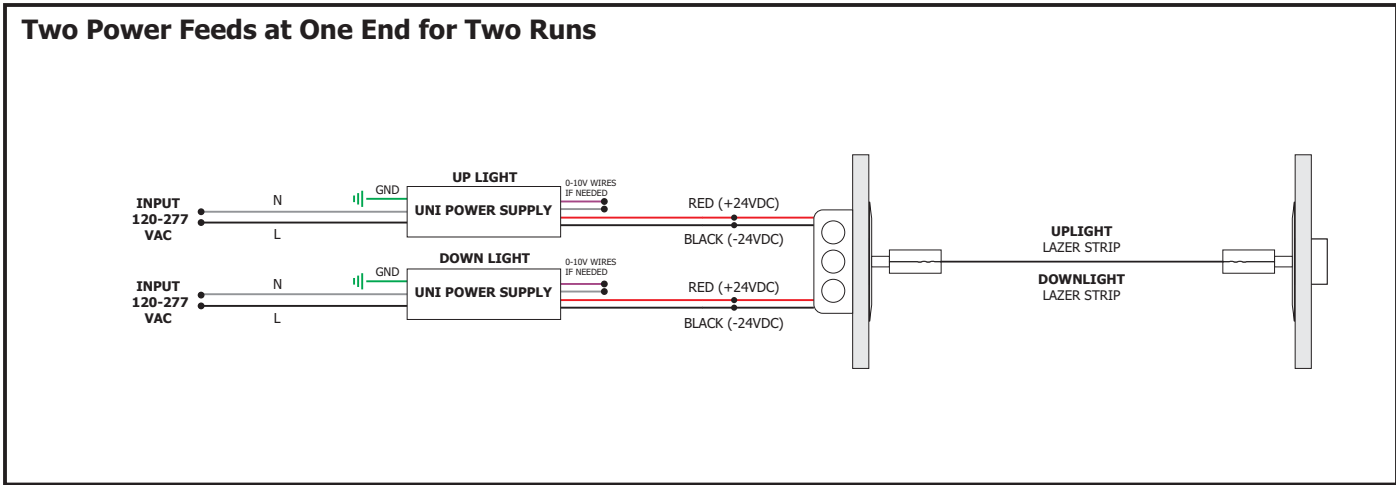
2: Plaster, sand and paint the surface. **Do not** plaster over adjustment link.

3: Clean the edges around the adjustment link.

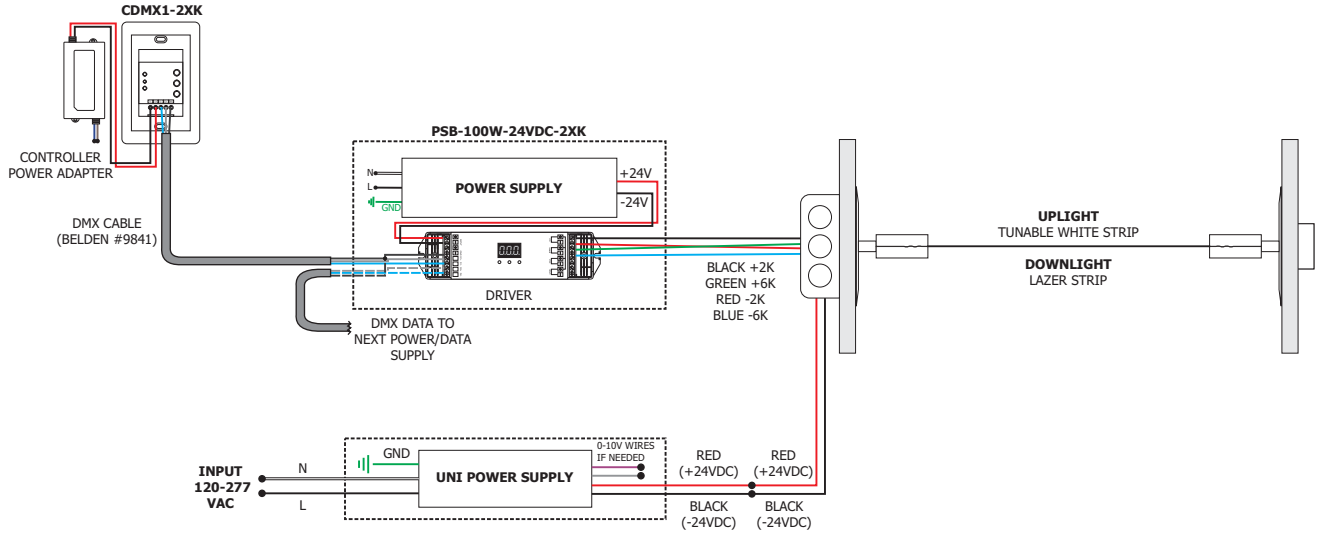
4: Paint the turnbuckle to the desired color.



General Wiring Diagrams



Up Light Tunable White with CDMX1 controller/ Down Light for Static White



Up Light Tunable White with Two Channel Controls/Down Light for Static White

