



1718 W. Fullerton Chicago, IL 60614  
 Ph: 773.770.1195 • Fax: 773.935.5613  
 www.PureEdgeLighting.com • info@PureEdgeLighting.com  
 © 2016 PureEdge Lighting. All Rights Reserved.

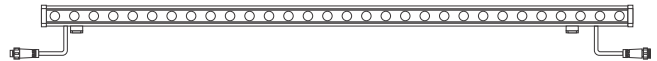
# Installation Instructions for Mini Star Linear Outdoor 24VDC Dynamic Color Changing System, RGB & RGBW

**MSLO-24V-\_-RGB\_-\_-**

## IMPORTANT INFORMATION

- This instruction shows a typical installation.
- This product is suitable for outdoor locations.
- This product mounts to the ceiling, wall or floor.

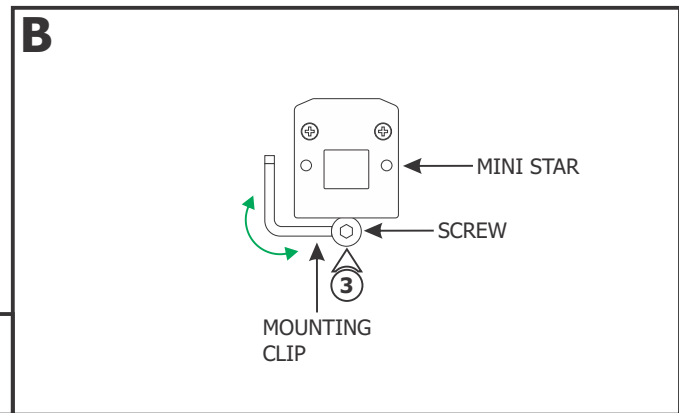
**SAVE THESE INSTRUCTIONS!**



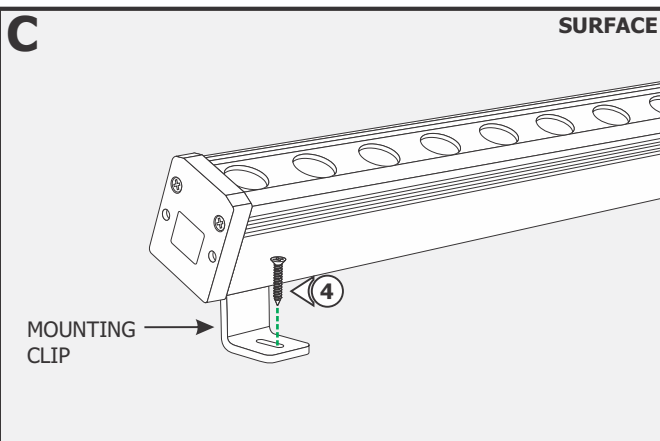
## Section One: Install the Fixture



- 1: Determine the location of the Mini Star fixture.
- 2: Mark the location of the mounting clips on the surface.

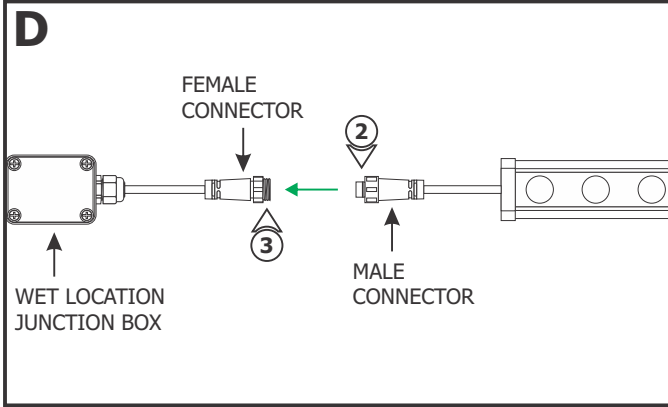


- 3: Adjust the mounting clip by loosening the screw on the side of the clip and rotating into position. Tighten the screw to secure in place.



- 4: Secure the mounting clips to the surface (mounting hardware not included).

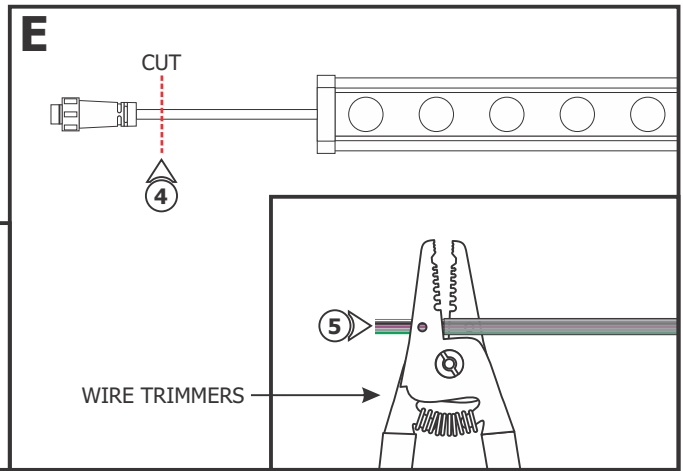
## Section Two: Power the Fixture



**NOTE:** Outdoor electrical connections must be made inside a waterproof junction box or using waterproof wire nut connections.

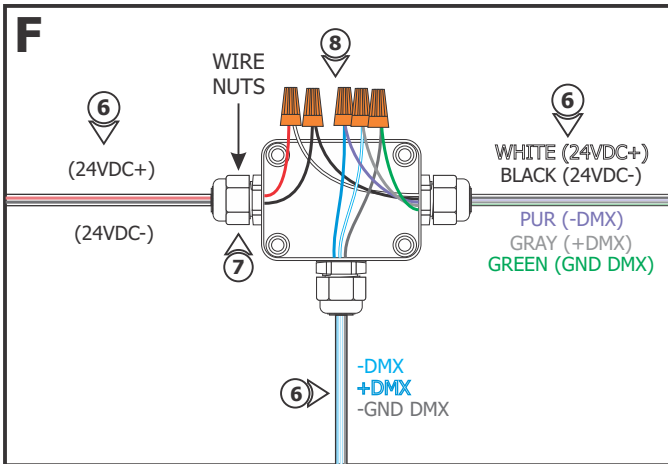
**NOTE:** Omit steps 1 through 3 if not using a wet location junction box.

- 1: Refer to the instructions provided with the wet location junction box to connect to the power supply.
- 2: Align and push the male connector of the fixture into the female connector going to the power supply.
- 3: Twist the connector nut to lock in place.



**NOTE:** Omit steps 4 through 7 if using a wet location junction box.

- 4: Cut the end of the power cord that is going to be connected to power and discard the unused connector.
- 5: Use AWG wire trimmers to remove the outer insulation from wire harness where electrical connection will be made.

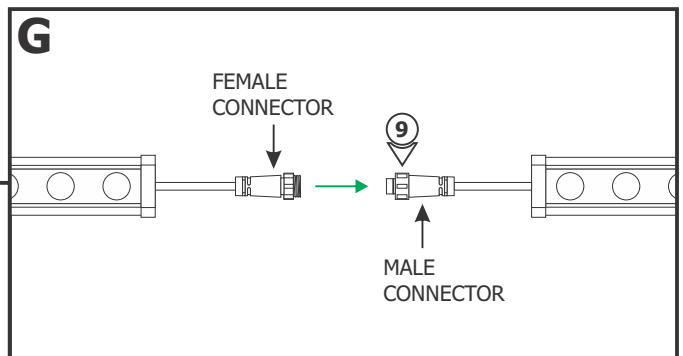


- 6: Insert the low voltage cable coming from the power supply, the DMX cable coming from the controller, and the power cable into the wet location junction box.
- 7: Tighten the waterproof wire nuts on the wet location junction box to lock in place.

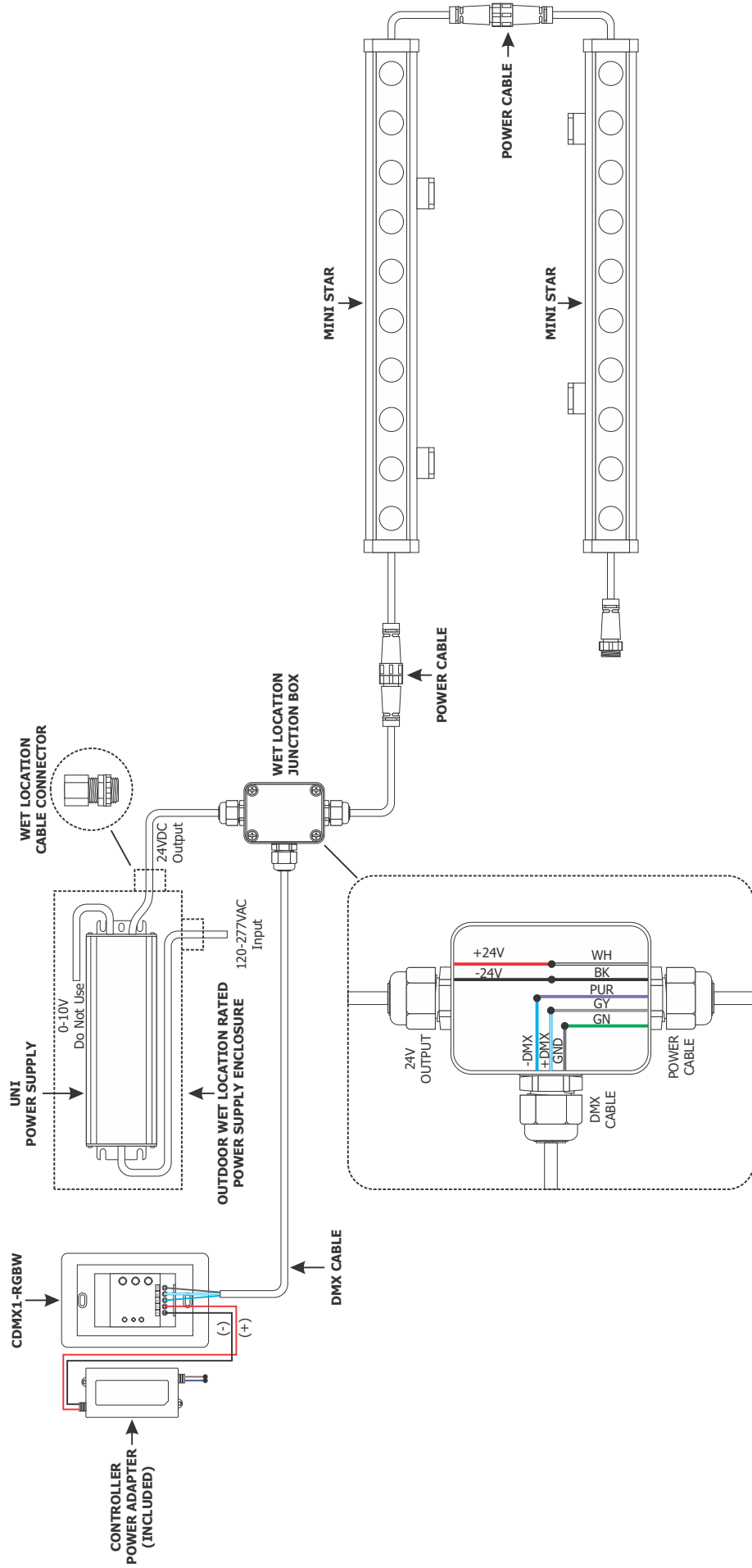
**NOTE:** The color of the power cord wires are represented as:  
 White for +24VDC  
 Black for -24VDC  
 Purple for -DMX  
 Gray for +DMX  
 Green for GND DMX

- 8: Refer to the wiring diagram on pages 3 and 4 and the instructions provided with the power supply and controller to complete the installation.

- 9: To connect additional fixtures, align and push the female connector of one fixture into the male connector of the next one.
- 10: Twist the connector nut to lock in place. Repeat for any additional sections.



# General Wiring Diagram with CDMX1-RGBW



# General Wiring Diagram with CTP

