



1718 W. Fullerton Chicago, IL 60614
 Ph: 773.770.1195 • Fax: 773.935.5613
 www.PureEdgeLighting.com • info@PureEdgeLighting.com
 © 2016 PureEdge Lighting. All Rights Reserved.

Installation Instructions for Nova Ceiling Downlight with Remote

NCD_-_1R

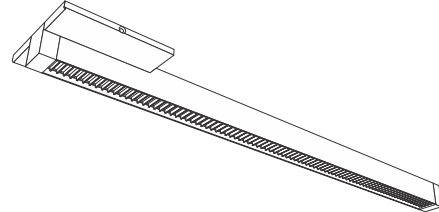
Power

NCD_-_4S

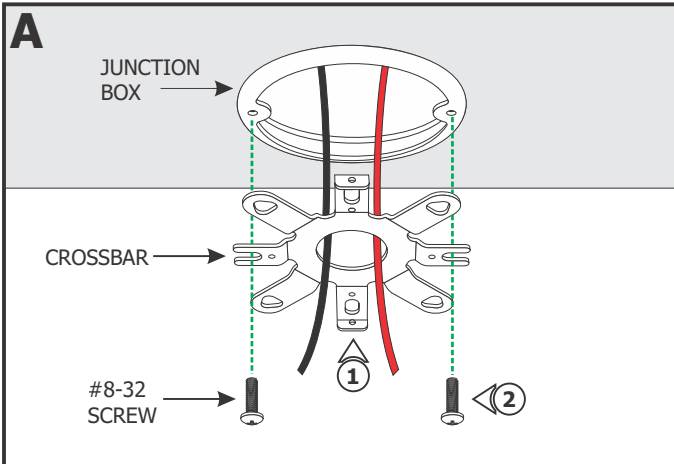
IMPORTANT INFORMATION

- This instruction shows a typical installation.
- It is recommended more than one person to assist in this installation.

SAVE THESE INSTRUCTIONS!



Section One: 4S Version

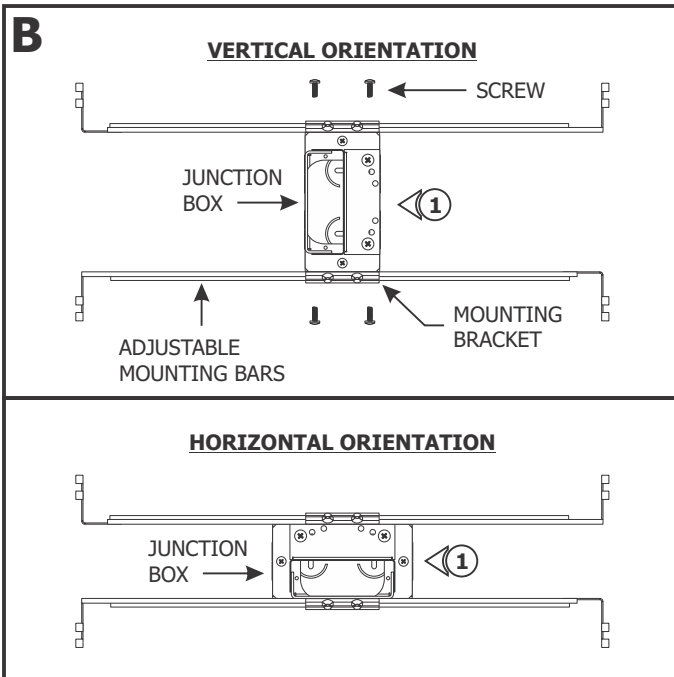


NOTE: Remote power supply must be installed within 40ft of junction box. Ensure remote power supply wires are present in the junction box. Refer to instructions provided with the power supply.

NOTE: Omit this section if using C-1RE-JBOX. See Section Two.

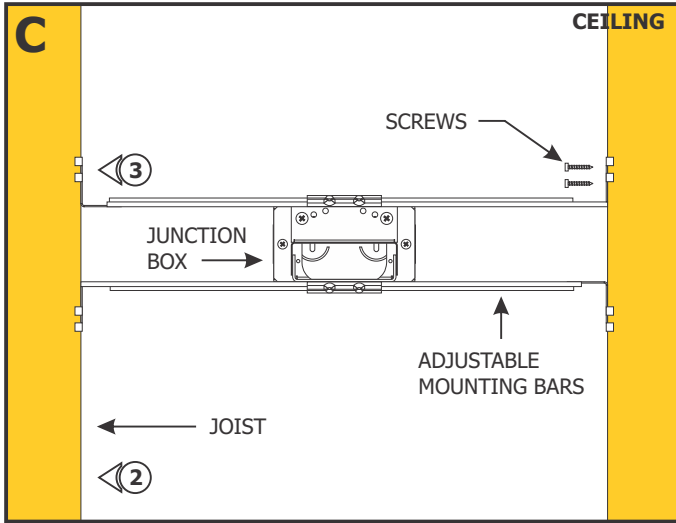
- 1: Feed the low voltage wires from the power supply through the crossbar center hole.
- 2: Mount the crossbar to the junction box holes using two #8-32 screws.
- 3: Complete installation by following steps in Section Three.

Section Two: 1R Version



NOTE: Omit this section if using 4" Square Canopy.

- 1: Mount each adjustable mounting bar to one side of the junction box (mounts to any side of the housing depending on the orientation of the channel) and secure them with the mounting brackets and two Phillips screws provided.



NOTE: The adjustable mounting bars mount to studs/joists that are spaced 14.5"-25" apart.

NOTE: Ensure the opening of the junction box is aligned with the center of the desired fixture location. If necessary, adjust the junction box location by loosening the screws and sliding the junction box to the proper location. Tighten the Phillips screws after adjusting.

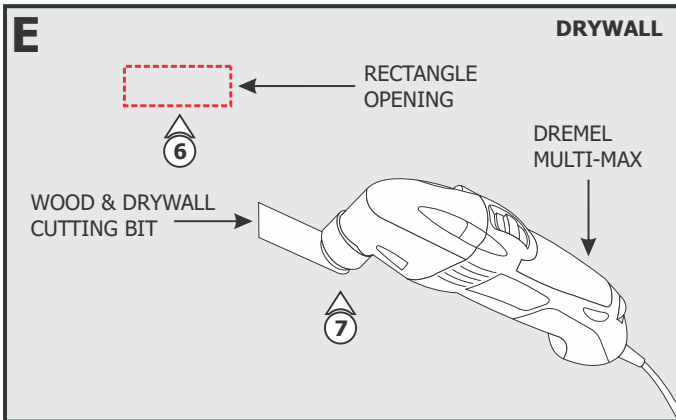
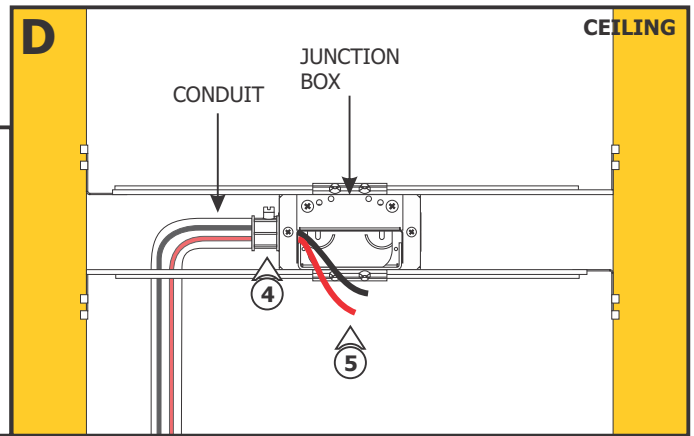
2: Select the location between two ceiling joists to mount the junction box.

3: Place the lips of the adjustable mounting bars against the joists. Secure the adjustable bars to the ceiling joists with the #8 screws.

NOTE: Remote power supply must be installed within 40ft of junction box. Ensure remote power supply wires are present in the junction box. Refer to instructions provided with the power supply.

4: Remove a knockout to install a conduit into the junction box.

5: Install conduit(s) (if required by local electrical code) and run low-voltage 24VDC power wires coming from the remote power supply to the junction box.



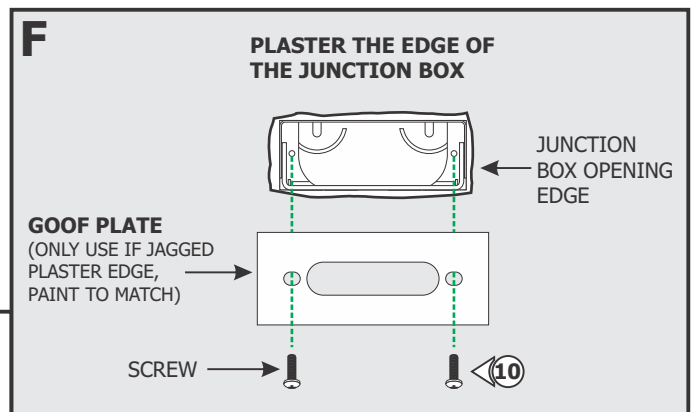
6: Mark a rectangle shape on the drywall where the junction box opening will be located depending on the selected position.

7: Cut out the marked rectangle opening, using a "Dremel Multi-Max" with the "wood & drywall" cutting bit.

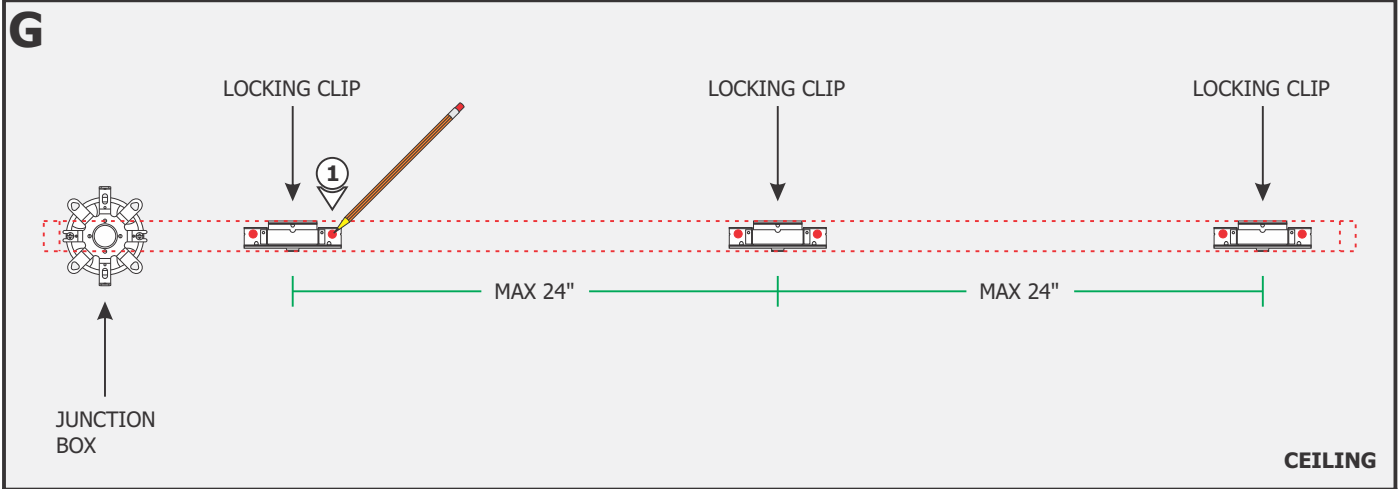
8: Install & finish drywall.

9: Complete installation by following steps in Section Three.

10: Optional: Use the Goof Plate if the junction box opening has imperfection/ jagged edges. Install the provided goof plate (paint to match prior) with the two screws.



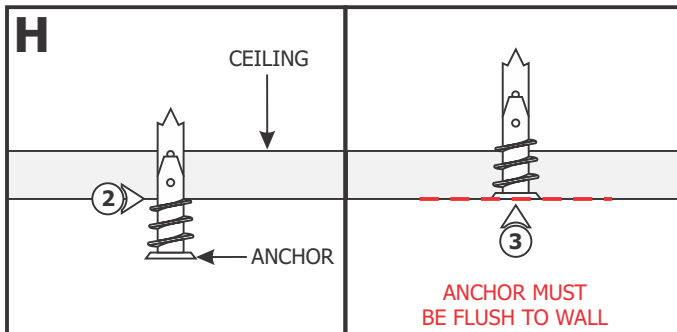
Section Three: Install the Fixture for Both Versions



NOTE: 4SQ Version shown for demonstration purposes.

NOTE: The channel must pass through the center of the junction box.

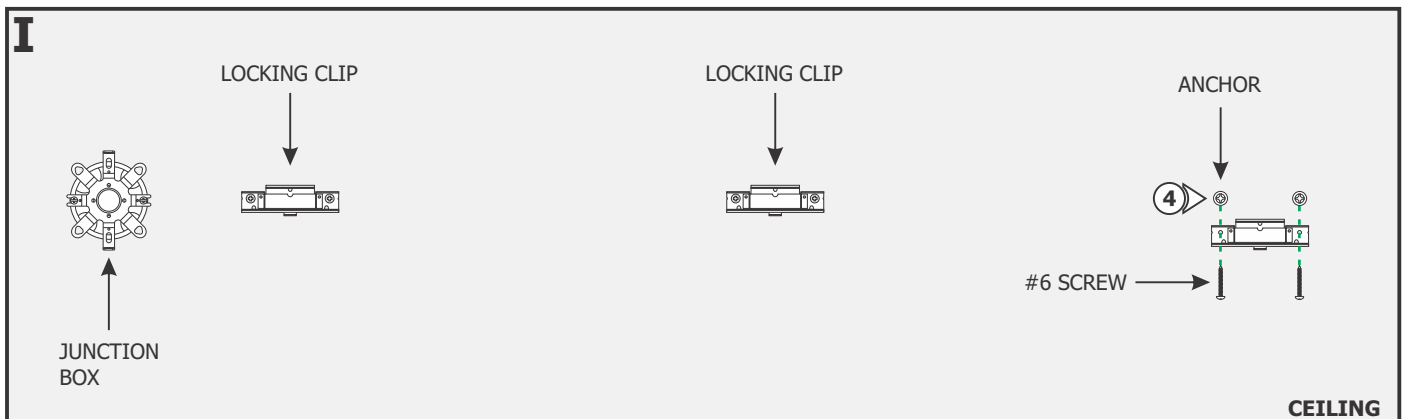
1: Begin installation using side of the channel with power wire. Lay channel to the desired location & make all necessary markings on the ceiling which will consist of the channel ends and locking clips. Clips must be installed maximum 24" from each other.



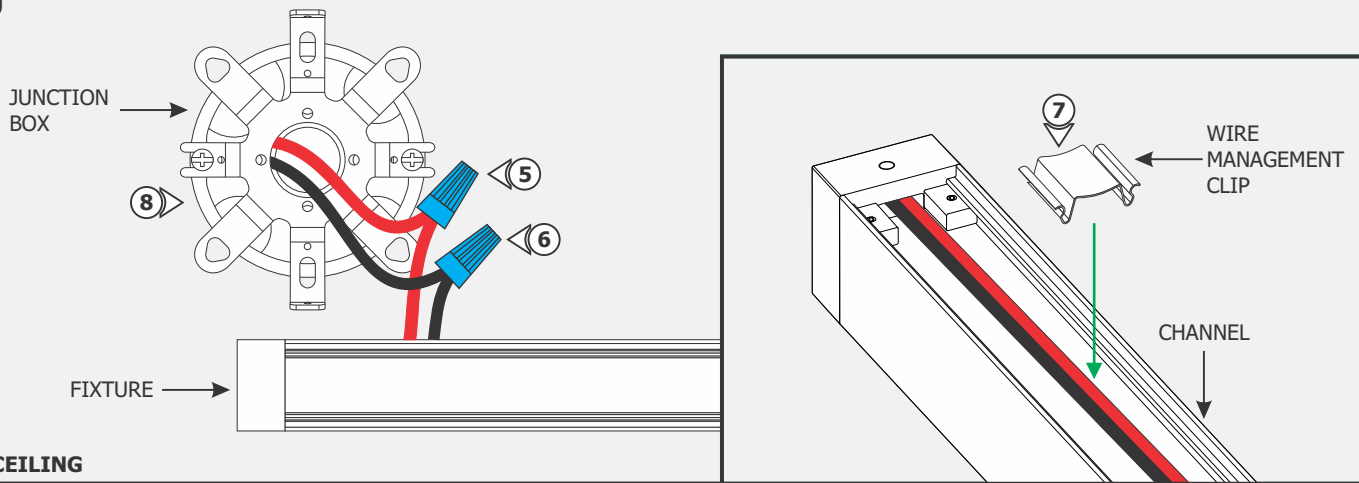
NOTE: Steps 2 and 3 are for drywall mounting. Omit these steps if mounting the clips to a wood surface directly.

2: Tap the anchors onto the marked points up to the threaded portion with a hammer.

3: Screw in the threaded portion of the anchors with a Phillips screwdriver.



4: Line up each locking clip to the anchors and secure them by tightening the two #6 screws through the locking clip holes into the anchors.

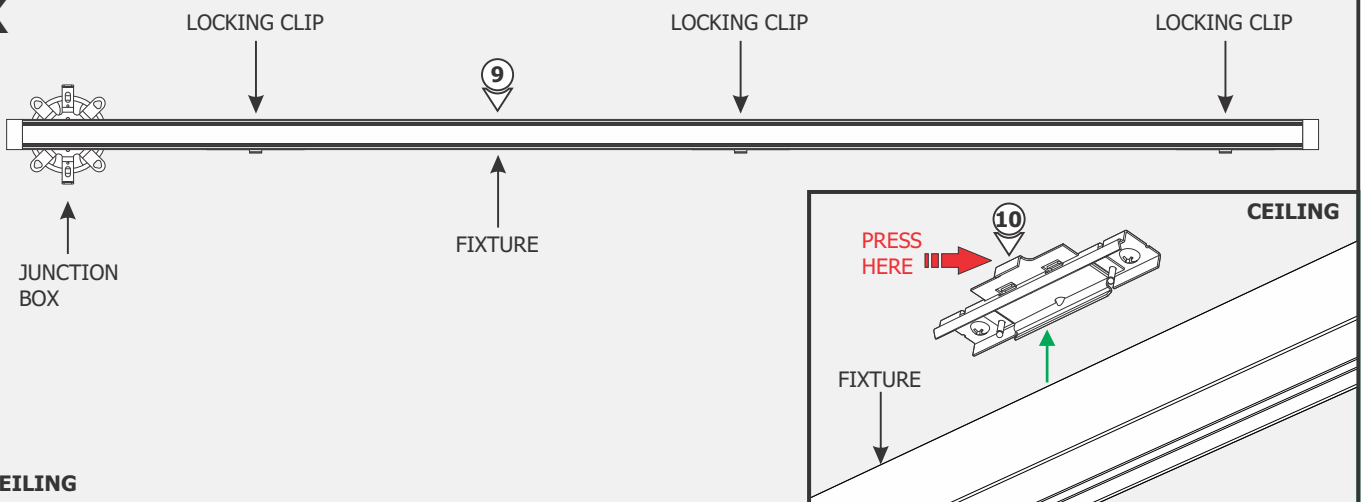
J**CEILING**

5: Connect the low voltage +24VDC power supply wire to the red wire of the fixture with a wire nut.

6: Connect the low voltage -24VDC power supply wire to the black wire of the fixture with a wire nut.

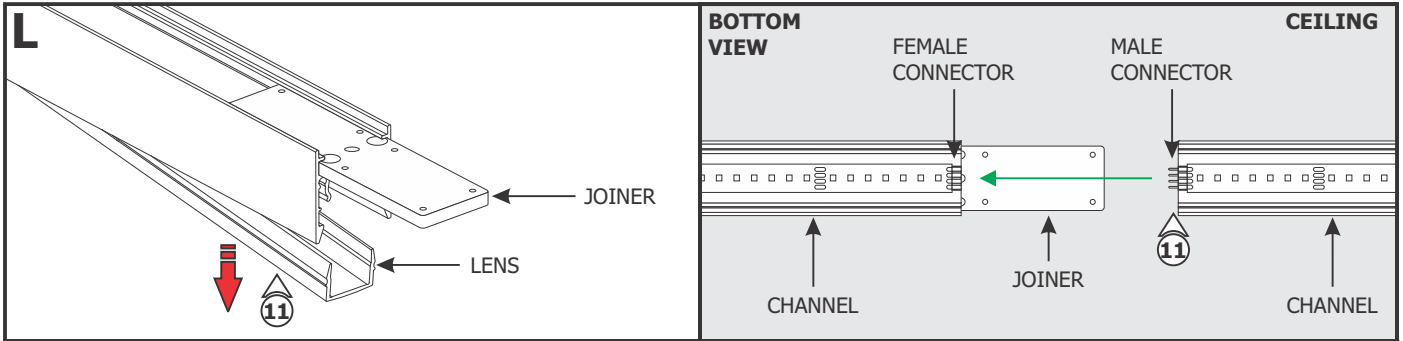
7: If necessary, snap the wire management clip to the channel to hold the wires in place.

8: Place all wire nut connections inside the junction box.

K**CEILING**

9: Carefully place the fixture over the locking clips. Make sure not to nick the wires.

10: Press the side of each locking clip to lock the fixture in place.



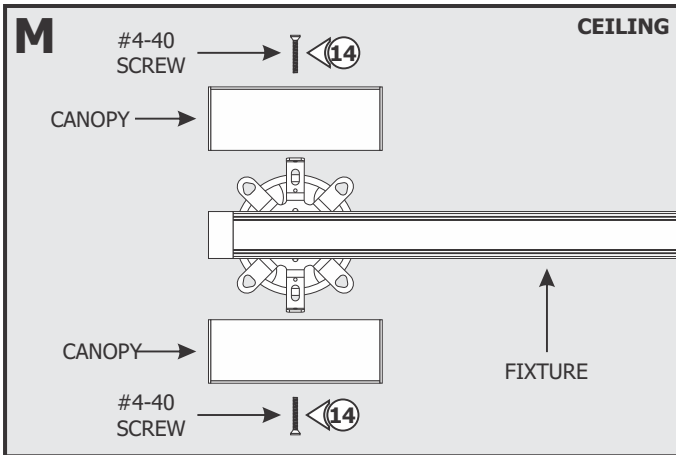
NOTE: Omit steps 11 through 13 if the channel is made out of a single piece (120" or less).

NOTE: If applicable, multiple channels must be installed to the ceiling one by one.

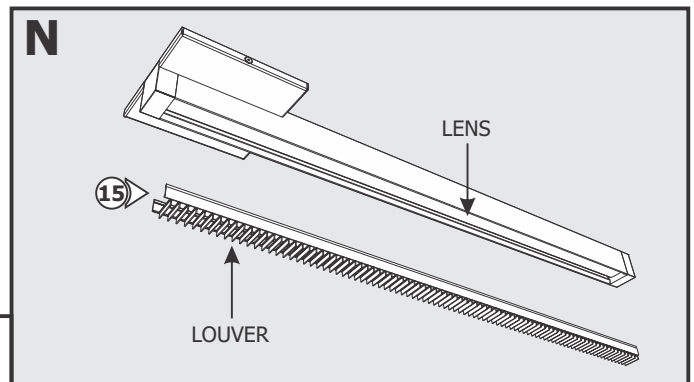
11: Lift a section of the lens at the end of the channels where the connectors are visible. Slide the channel over the joiner bracket making sure that the male & female connectors mate properly. Push the lens back into the channel.

12: Repeat steps 9 and 10 to lock the channels in place.

13: Continue to connect additional channels one at a time until the fixture is complete.



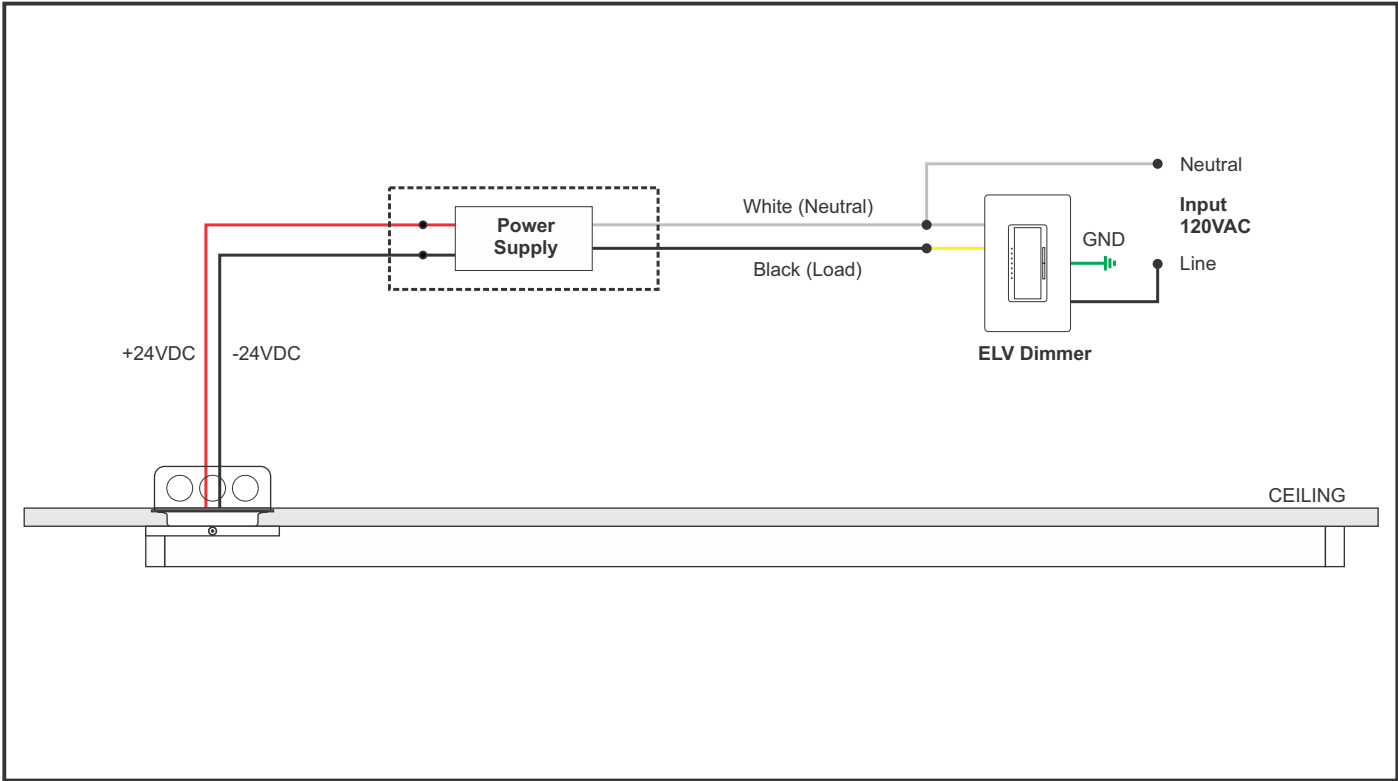
14: Place each canopy piece against the fixture and align the canopy holes with the crossbar holes. Secure the canopy pieces in place with the two #4-40 screws and 1/16" Allen wrench provided.



15: Install the optional louver over the lens (this might already be installed).

96W, 24VDC LOW VOLTAGE WIRE SIZE CHART					
3% VOLTAGE DROP	WIRE LENGTH IN FT	UP TO 33FT	35FT-52FT	53FT-86FT	87FT-130FT
	WIRE SIZE	14 AWG	12 AWG	10 AWG	8 AWG
	VOLTAGE AT END OF THE WIRE	23.28VDC	23.29VDC	23.28VDC	23.28VDC

General ELV Wiring Diagram



General 0-10V Wiring Diagram

