

# NOVA UP AND DOWN END FEED

## LED SUSPENSION WITH REMOTE POWER

DESIGNED BY GREGORY KAY | ASSEMBLED IN AMERICA

REV 02.22.21



### DESCRIPTION

Nova Suspension Up/Down end feed using a Remote 24VDC power supply (sold separately) is a linear LED fixture that offers both direct and indirect light in a clean, contemporary style with an architectural aesthetic. The Nova Up/Down Linear Suspension is available in various increments from 12" to 240". The Downlight has a Diffused White lens with a 100° beam spread and a Clear Frosted 60° Lens Up-light. Choose from several Metal finishes and nine standard Color Temperatures ranging from 2200K to 5700K, including two Warm Dim options of 2700K (**27D**) or 3000K (**30D**) that dim down to 2000K. Optional Black or White Louver for additional diffusion. Remote Power supplies sold separately. Fixture includes a 5-year pro-rated warranty. For **custom lengths** and designs, email our Design Team: [design@PureEdgeLighting.com](mailto:design@PureEdgeLighting.com).

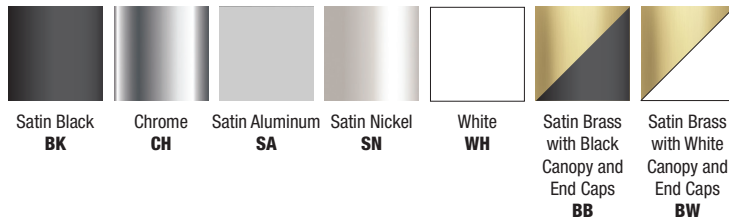
Wattages for this fixture are available in the following options:

- 7W - 2.5 watts per foot Up and 5 watts per foot Down, lengths up to 240" (20ft)
- 10W - 5 watts per foot Up and 5 watts per foot Down, lengths up to 240" (20ft)
- 12W - 5 watts per foot Up and 7.5 watts per foot Down, lengths up to 156" (13ft)

### INSTALLATION

- Includes 12ft power cable and your choice of one or two canopies; one for remote power, one blank - 2R2, 2S2, 4R2, 4S2, VRD Vanishing Point
- Adjustable 12ft coaxial and aircraft cables included; additional aircraft cables included for support when fixture exceeds 84"
- Remote 120V/24VDC power supplies in various wattages sold separately
- Mounts to a standard junction box, prewired for either 120V with a 60 watt NON-IC (50W-IC) power supply that fits in the ceiling electrical junction box, or from a remote power supply feeding 24VDC up to 100 watts at a maximum of 20ft away

### FINISHES



### LENSES

- Downlight - Diffused White 100° Lens or, Clear Frosted 60° Lens with choice of White or Black Louver
- Uplight - Clear Frosted 60° Lens

### LAMPING

- Choose from 9 different color temperatures from 22K - 57K including Warm Dim
- Warm Dim - 2700K to 2000K (**27D**) or 3000K to 2000K (**30D**)
- 50,000 Hour Lamp Life

### REMOTE POWER SUPPLIES\*, DIMMERS & CONTROLS (SOLD SEPARATELY)

- UNI Driver: Universal Dimming (**TRIAC, ELV, 0-10V**)
- Electronic Low Voltage Dimming (**ELV**)†
- 0-10 Volt Dimming (**0-10V**)
- Lutron Hi-Lume®

\*In-Wall Mounting Kits available for select power supplies

†ELV power supplies are not compatible with nLight, use only 0-10 volt or Universal driver power supplies

### APPLICATIONS

- Designed for indoor use only. Ideal applications for Residential, Commercial and Hospitality environments.

### APPROVALS

- Class 2 Wiring up to 100 watts, Damp Location Suitable, ETL listed. Title 24 with 0-10 volt and Uni driver power supplies, Made in America

System	Wattage Per Foot	Power Canopy	Nominal Size	Color Temperature	Finish
<b>NSUDD</b>	<b>7W</b>	<b>2R</b>	<b>240</b>	<b>22K</b>	<b>SN</b>
<b>NSUDD</b> Nova Suspension Up/Down Diffused Lens	<b>7W</b> 7.5 Watt, 240" (20ft) max length (2.5W up and 5W down)	<b>2R</b> 2" Round Canopy	<b>12-240</b> Order in various increments from 12" to 240".	<b>22K</b> 2200K Amber White	<b>BK</b> Satin Black
<b>NSUDDW</b> Nova Suspension Up/Down Diffused with White Louver	<b>10W</b> 10 Watt, 240" (20ft) max length (5W up and 5W down)	<b>2S</b> 2" Square Canopy		<b>24K</b> 2400K Very Warm White	<b>CH</b> Chrome
<b>NSUDDDB</b> Nova Suspension Up/Down Diffused with Black Louver	<b>12W</b> 12 Watt, 156" (13ft) max length (5W up and 7.5W down)	<b>4R</b> 4" Round Canopy		<b>27K</b> 2700K Incandescent White	<b>SA</b> Satin Aluminum
<b>NSUDCW</b> Nova Suspension Up/Down Clear Frosted Lens with White Louver		<b>4S</b> 4" Square Canopy		<b>27D</b> 2700K Warm Dim (10W only)	<b>SN</b> Satin Nickel
<b>NSUDCB</b> Nova Suspension Up/Down Clear Frosted Lens with Black Louver		<b>VR</b> Vanishing Point Plaster in system with No Canopy		<b>30K</b> 3000K Warm White	<b>WH</b> White
		<b>2R2</b> 2 x 2.8" Round Canopies		<b>30D</b> 3000K Warm Dim (10W only)	<b>BB</b> Satin Brass with Black Canopy and End Caps
		<b>2S2</b> 2 x 2.8" Square Canopies	*Maximum shipping length is 120", 84" for chrome	<b>35K</b> 3500K Neutral White	<b>BW</b> Satin Brass with White Canopy and End Caps
		<b>4R2</b> 2 x 4.6" Round Canopies	**See length chart for exact dimensions	<b>40K</b> 4000K Cool White	
		<b>4S2</b> 2 x 4.6" Square Canopies		<b>57K</b> 5700K Daylight White	

PROJECT	FIXTURE TYPE	DATE
---------	--------------	------

# NOVA UP AND DOWN END FEED

## LED SUSPENSION WITH REMOTE POWER

**Length Chart: Actual lengths for Nova Suspension Up/Down - Remote Power Supply**

22K, 24K, 27K, 30K, 35K, 40K & 57K										
Ordering Code (Nominal Size)	Actual Length (Inches)	Total Wattage 7.5W (2.5W Up & 5W Down)		Power Supply	Total Wattage 10W (5W Up & 5W Down)		Power Supply	Total Wattage 12W (5W Up & 7.3W Down)		Power Supply
12	13.4	3	5	PSB-2X40W-UNI-24VDC	5	5	PSB-2X40W-UNI-24VDC	5	7	PSB-2X40W-UNI-24VDC
15	15.8	3	6	PSB-2X40W-UNI-24VDC	6	6	PSB-2X40W-UNI-24VDC	6	9	PSB-2X40W-UNI-24VDC
17	18.2	4	7	PSB-2X40W-UNI-24VDC	7	7	PSB-2X40W-UNI-24VDC	7	10	PSB-2X40W-UNI-24VDC
20	20.6	4	8	PSB-2X40W-UNI-24VDC	8	8	PSB-2X40W-UNI-24VDC	8	12	PSB-2X40W-UNI-24VDC
22	23.0	5	9	PSB-2X40W-UNI-24VDC	9	9	PSB-2X40W-UNI-24VDC	9	13	PSB-2X40W-UNI-24VDC
24	25.4	5	10	PSB-2X40W-UNI-24VDC	10	10	PSB-2X40W-UNI-24VDC	10	15	PSB-2X40W-UNI-24VDC
27	27.8	6	11	PSB-2X40W-UNI-24VDC	11	11	PSB-2X40W-UNI-24VDC	11	16	PSB-2X40W-UNI-24VDC
29	30.2	6	12	PSB-2X40W-UNI-24VDC	12	12	PSB-2X40W-UNI-24VDC	12	18	PSB-2X40W-UNI-24VDC
32	32.6	7	13	PSB-2X40W-UNI-24VDC	13	13	PSB-2X40W-UNI-24VDC	13	19	PSB-2X40W-UNI-24VDC
34	35.0	7	14	PSB-2X40W-UNI-24VDC	14	14	PSB-2X40W-UNI-24VDC	14	21	PSB-2X40W-UNI-24VDC
36	37.4	8	15	PSB-2X40W-UNI-24VDC	15	15	PSB-2X40W-UNI-24VDC	15	22	PSB-2X40W-UNI-24VDC
39	39.8	8	16	PSB-2X40W-UNI-24VDC	16	16	PSB-2X40W-UNI-24VDC	16	24	PSB-2X40W-UNI-24VDC
41	42.2	9	17	PSB-2X40W-UNI-24VDC	17	17	PSB-2X40W-UNI-24VDC	17	25	PSB-2X40W-UNI-24VDC
44	44.6	9	18	PSB-2X40W-UNI-24VDC	18	18	PSB-2X40W-UNI-24VDC	18	27	PSB-2X40W-UNI-24VDC
46	47.0	10	19	PSB-2X40W-UNI-24VDC	19	19	PSB-2X40W-UNI-24VDC	19	28	PSB-2X40W-UNI-24VDC
48	49.4	10	20	PSB-2X40W-UNI-24VDC	20	20	PSB-2X40W-UNI-24VDC	20	29	PSB-2X40W-UNI-24VDC
51	51.8	11	21	PSB-2X40W-UNI-24VDC	21	21	PSB-2X40W-UNI-24VDC	21	31	PSB-2X40W-UNI-24VDC
53	54.2	11	22	PSB-2X40W-UNI-24VDC	22	22	PSB-2X40W-UNI-24VDC	22	32	PSB-2X40W-UNI-24VDC
56	56.6	12	23	PSB-2X40W-UNI-24VDC	23	23	PSB-2X40W-UNI-24VDC	23	34	PSB-2X40W-UNI-24VDC
58	59.0	12	24	PSB-2X40W-UNI-24VDC	24	24	PSB-2X40W-UNI-24VDC	24	35	PSB-2X40W-UNI-24VDC
60	61.4	13	25	PSB-2X40W-UNI-24VDC	25	25	PSB-2X40W-UNI-24VDC	25	36	PSB-2X40W-UNI-24VDC
63	63.8	13	26	PSB-2X40W-UNI-24VDC	26	26	PSB-2X40W-UNI-24VDC	26	38	PSB-2X40W-UNI-24VDC
65	66.2	14	27	PSB-2X40W-UNI-24VDC	27	27	PSB-2X40W-UNI-24VDC	27	40	PSB-2X60W-UNI-24VDC
68	68.6	14	28	PSB-2X40W-UNI-24VDC	28	28	PSB-2X40W-UNI-24VDC	28	41	PSB-2X60W-UNI-24VDC
70	71.0	15	29	PSB-2X40W-UNI-24VDC	29	29	PSB-2X40W-UNI-24VDC	29	43	PSB-2X60W-UNI-24VDC
72	73.4	15	30	PSB-2X40W-UNI-24VDC	30	30	PSB-2X40W-UNI-24VDC	30	44	PSB-2X60W-UNI-24VDC
75	75.8	16	31	PSB-2X40W-UNI-24VDC	31	31	PSB-2X40W-UNI-24VDC	31	46	PSB-2X60W-UNI-24VDC
77	78.2	16	32	PSB-2X40W-UNI-24VDC	32	32	PSB-2X40W-UNI-24VDC	32	47	PSB-2X60W-UNI-24VDC
80	80.6	17	33	PSB-2X40W-UNI-24VDC	33	33	PSB-2X40W-UNI-24VDC	33	49	PSB-2X60W-UNI-24VDC
82	83.0	17	34	PSB-2X40W-UNI-24VDC	34	34	PSB-2X40W-UNI-24VDC	34	50	PSB-2X60W-UNI-24VDC
84*	85.4	18	35	PSB-2X40W-UNI-24VDC	35	35	PSB-2X40W-UNI-24VDC	35	51	PSB-2X60W-UNI-24VDC
87	87.8	18	36	PSB-2X40W-UNI-24VDC	36	36	PSB-2X40W-UNI-24VDC	36	53	PSB-2X60W-UNI-24VDC
89	90.2	19	37	PSB-2X40W-UNI-24VDC	37	37	PSB-2X40W-UNI-24VDC	37	54	PSB-2X60W-UNI-24VDC
92	92.6	19	38	PSB-2X40W-UNI-24VDC	38	38	PSB-2X40W-UNI-24VDC	38	56	PSB-2X60W-UNI-24VDC
94	95.0	20	39	PSB-2X40W-UNI-24VDC	39	39	PSB-2X40W-UNI-24VDC	39	57	PSB-2X60W-UNI-24VDC
96	97.4	20	40	PSB-2X60W-UNI-24VDC	40	40	PSB-2X60W-UNI-24VDC	40	58	PSB-2X60W-UNI-24VDC
99	99.8	21	41	PSB-2X60W-UNI-24VDC	41	41	PSB-2X60W-UNI-24VDC	41	60	PSB-2X96W-UNI-24VDC
101	102.2	21	42	PSB-2X60W-UNI-24VDC	42	42	PSB-2X60W-UNI-24VDC	42	61	PSB-2X96W-UNI-24VDC
104	104.6	22	43	PSB-2X60W-UNI-24VDC	43	43	PSB-2X60W-UNI-24VDC	43	63	PSB-2X96W-UNI-24VDC
106	107.0	22	44	PSB-2X60W-UNI-24VDC	44	44	PSB-2X60W-UNI-24VDC	44	64	PSB-2X96W-UNI-24VDC
108	109.4	23	45	PSB-2X60W-UNI-24VDC	45	45	PSB-2X60W-UNI-24VDC	45	66	PSB-2X96W-UNI-24VDC
111	111.8	23	46	PSB-2X60W-UNI-24VDC	46	46	PSB-2X60W-UNI-24VDC	46	68	PSB-2X96W-UNI-24VDC
113	114.2	24	47	PSB-2X60W-UNI-24VDC	47	47	PSB-2X60W-UNI-24VDC	47	69	PSB-2X96W-UNI-24VDC
116	116.6	24	48	PSB-2X60W-UNI-24VDC	48	48	PSB-2X60W-UNI-24VDC	48	71	PSB-2X96W-UNI-24VDC
118	119	25	49	PSB-2X60W-UNI-24VDC	49	49	PSB-2X60W-UNI-24VDC	49	72	PSB-2X96W-UNI-24VDC
120**	121.4	25	50	PSB-2X60W-UNI-24VDC	50	50	PSB-2X60W-UNI-24VDC	50	73	PSB-2X96W-UNI-24VDC
123	124.2	26	51	PSB-2X60W-UNI-24VDC	51	51	PSB-2X60W-UNI-24VDC	51	75	PSB-2X96W-UNI-24VDC
125	126.6	26	52	PSB-2X60W-UNI-24VDC	52	52	PSB-2X60W-UNI-24VDC	52	76	PSB-2X96W-UNI-24VDC
128	129	27	53	PSB-2X60W-UNI-24VDC	53	53	PSB-2X60W-UNI-24VDC	53	78	PSB-2X96W-UNI-24VDC
130	131.4	27	54	PSB-2X60W-UNI-24VDC	54	54	PSB-2X60W-UNI-24VDC	54	79	PSB-2X96W-UNI-24VDC
132	133.8	28	55	PSB-2X60W-UNI-24VDC	55	55	PSB-2X60W-UNI-24VDC	55	81	PSB-2X96W-UNI-24VDC
135	136.2	28	56	PSB-2X60W-UNI-24VDC	56	56	PSB-2X60W-UNI-24VDC	56	82	PSB-2X96W-UNI-24VDC
137	138.6	29	57	PSB-2X60W-UNI-24VDC	57	57	PSB-2X60W-UNI-24VDC	57	83	PSB-2X96W-UNI-24VDC
140	141	29	58	PSB-2X60W-UNI-24VDC	58	58	PSB-2X60W-UNI-24VDC	58	85	PSB-2X96W-UNI-24VDC
142	143.4	30	59	PSB-2X60W-UNI-24VDC	59	59	PSB-2X60W-UNI-24VDC	59	86	PSB-2X96W-UNI-24VDC
144	145.8	30	60	PSB-2X96W-UNI-24VDC	60	60	PSB-2X96W-UNI-24VDC	60	88	PSB-2X96W-UNI-24VDC
147	148.2	31	61	PSB-2X96W-UNI-24VDC	61	61	PSB-2X96W-UNI-24VDC	61	89	PSB-2X96W-UNI-24VDC
149	150.6	31	62	PSB-2X96W-UNI-24VDC	62	62	PSB-2X96W-UNI-24VDC	62	91	PSB-2X96W-UNI-24VDC
152	153	32	63	PSB-2X96W-UNI-24VDC	63	63	PSB-2X96W-UNI-24VDC	63	92	PSB-2X96W-UNI-24VDC
154	155.4	32	64	PSB-2X96W-UNI-24VDC	64	64	PSB-2X96W-UNI-24VDC	64	94	PSB-2X96W-UNI-24VDC
156	157.8	33	65	PSB-2X96W-UNI-24VDC	65	65	PSB-2X96W-UNI-24VDC	65	95	PSB-2X96W-UNI-24VDC
159	160.2	33	66	PSB-2X96W-UNI-24VDC	66	66	PSB-2X96W-UNI-24VDC	66	97	PSB-100W-ELV-24VDC
161	162.6	34	67	PSB-2X96W-UNI-24VDC	67	67	PSB-2X96W-UNI-24VDC	67	98	PSB-100W-ELV-24VDC
164	165	34	68	PSB-2X96W-UNI-24VDC	68	68	PSB-2X96W-UNI-24VDC	68	100	PSB-100W-ELV-24VDC
166	167.4	35	69	PSB-2X96W-UNI-24VDC	69	69	PSB-2X96W-UNI-24VDC			

\*Maximum Chrome Length \*\*Maximum Shipping Length

PROJECT		FIXTURE TYPE		DATE	
---------	--	--------------	--	------	--



# NOVA UP AND DOWN END FEED

## LED SUSPENSION WITH REMOTE POWER



REV 02.22.21

**Length Chart:** Actual lengths for Nova Suspension Up/Down - Remote Power Supply

22K, 24K, 27K, 30K, 35K, 40K & 57K							
Ordering Code (Nominal Size)	Actual Length (Inches)	Total Wattage 7.5W (2.5W Up & 5W Down)		Power Supply	Total Wattage 10W (5W Up & 5W Down)		Power Supply
168	169.8	35	70	PSB-2X96W-UNI-24VDC	70	70	PSB-2X96W-UNI-24VDC
171	172.2	36	71	PSB-2X96W-UNI-24VDC	71	71	PSB-2X96W-UNI-24VDC
173	174.6	36	72	PSB-2X96W-UNI-24VDC	72	72	PSB-2X96W-UNI-24VDC
176	177	37	73	PSB-2X96W-UNI-24VDC	73	73	PSB-2X96W-UNI-24VDC
178	179.4	37	74	PSB-2X96W-UNI-24VDC	74	74	PSB-2X96W-UNI-24VDC
180	181.8	38	75	PSB-2X96W-UNI-24VDC	75	75	PSB-2X96W-UNI-24VDC
183	184.2	38	76	PSB-2X96W-UNI-24VDC	76	76	PSB-2X96W-UNI-24VDC
185	186.6	39	77	PSB-2X96W-UNI-24VDC	77	77	PSB-2X96W-UNI-24VDC
188	189	39	78	PSB-2X96W-UNI-24VDC	78	78	PSB-2X96W-UNI-24VDC
190	191.4	40	79	PSB-2X96W-UNI-24VDC	79	79	PSB-2X96W-UNI-24VDC
192	193.8	40	80	PSB-2X96W-UNI-24VDC	80	80	PSB-2X96W-UNI-24VDC
195	196.2	41	81	PSB-2X96W-UNI-24VDC	81	81	PSB-2X96W-UNI-24VDC
197	198.6	41	82	PSB-2X96W-UNI-24VDC	82	82	PSB-2X96W-UNI-24VDC
200	201	42	83	PSB-2X96W-UNI-24VDC	83	83	PSB-2X96W-UNI-24VDC
202	203.4	42	84	PSB-2X96W-UNI-24VDC	84	84	PSB-2X96W-UNI-24VDC
204	205.8	43	85	PSB-2X96W-UNI-24VDC	85	85	PSB-2X96W-UNI-24VDC
207	208.2	43	86	PSB-2X96W-UNI-24VDC	86	86	PSB-2X96W-UNI-24VDC
209	210.6	44	87	PSB-2X96W-UNI-24VDC	87	87	PSB-2X96W-UNI-24VDC
212	213	44	88	PSB-2X96W-UNI-24VDC	88	88	PSB-2X96W-UNI-24VDC
214	215.4	45	89	PSB-2X96W-UNI-24VDC	89	89	PSB-2X96W-UNI-24VDC
216	217.8	45	90	PSB-2X96W-UNI-24VDC	90	90	PSB-2X96W-UNI-24VDC
219	220.2	46	91	PSB-2X96W-UNI-24VDC	91	91	PSB-2X96W-UNI-24VDC
221	222.6	46	92	PSB-2X96W-UNI-24VDC	92	92	PSB-2X96W-UNI-24VDC
224	225	47	93	PSB-2X96W-UNI-24VDC	93	93	PSB-2X96W-UNI-24VDC
226	227.4	47	94	PSB-2X96W-UNI-24VDC	94	94	PSB-2X96W-UNI-24VDC
228	229.8	48	95	PSB-2X96W-UNI-24VDC	95	95	PSB-2X96W-UNI-24VDC
231	232.2	48	96	PSB-2X96W-UNI-24VDC	96	96	PSB-2X96W-UNI-24VDC
233	234.6	49	97	PSB-100W-ELV-24VDC	97	97	PSB-100W-ELV-24VDC
236	237	49	98	PSB-100W-ELV-24VDC	98	98	PSB-100W-ELV-24VDC
238	239.4	50	99	PSB-100W-ELV-24VDC	99	99	PSB-100W-ELV-24VDC
240	241.8	50	100	PSB-100W-ELV-24VDC	100	100	PSB-100W-ELV-24VDC

PROJECT		FIXTURE TYPE		DATE	
---------	--	--------------	--	------	--

# NOVA UP AND DOWN END FEED

## LED SUSPENSION WITH REMOTE POWER

### Length Chart: Actual lengths for Nova Suspension Up/Down - Remote Power Supply

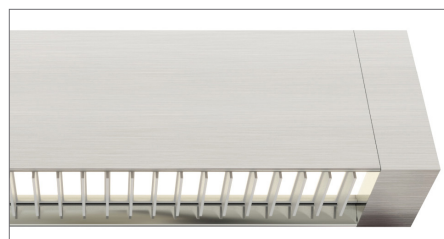
270 & 300									
Ordering Code (Nominal Size)	Actual Length (Inches)	Total Wattage 10W (5W Up & 5W Down)		Power Supply	Ordering Code (Nominal Size)	Actual Length (Inches)	Total Wattage 10W (5W Up & 5W Down)		Power Supply
12	13.4	5	5	PSB-2X60W-UNI-24VDC	129	130.8	54	54	PSB-2X60W-UNI-24VDC
15	16.4	6	6	PSB-2X60W-UNI-24VDC	132	133.8	55	55	PSB-2X60W-UNI-24VDC
18	19.4	8	8	PSB-2X60W-UNI-24VDC	135	136.8	56	56	PSB-2X60W-UNI-24VDC
21	22.4	9	9	PSB-2X60W-UNI-24VDC	138	139.8	58	58	PSB-2X60W-UNI-24VDC
24	25.4	10	10	PSB-2X60W-UNI-24VDC	141	142.8	59	59	PSB-2X60W-UNI-24VDC
27	28.4	11	11	PSB-2X60W-UNI-24VDC	144	145.8	60	60	PSB-2X96W-UNI-24VDC
30	31.4	13	13	PSB-2X60W-UNI-24VDC	147	148.8	61	61	PSB-2X96W-UNI-24VDC
33	34.4	14	14	PSB-2X60W-UNI-24VDC	150	151.8	63	63	PSB-2X96W-UNI-24VDC
36	37.4	15	15	PSB-2X40W-UNI-24VDC	153	154.8	64	64	PSB-2X96W-UNI-24VDC
39	40.4	16	16	PSB-2X40W-UNI-24VDC	156	157.8	65	65	PSB-2X96W-UNI-24VDC
42	43.4	18	18	PSB-2X40W-UNI-24VDC	159	160.8	66	66	PSB-2X96W-UNI-24VDC
45	46.4	19	19	PSB-2X40W-UNI-24VDC	162	163.8	68	68	PSB-2X96W-UNI-24VDC
48	49.4	20	20	PSB-2X40W-UNI-24VDC	165	166.8	69	69	PSB-2X96W-UNI-24VDC
51	52.4	21	21	PSB-2X40W-UNI-24VDC	168	169.8	70	70	PSB-2X96W-UNI-24VDC
54	55.4	23	23	PSB-2X40W-UNI-24VDC	171	172.8	71	71	PSB-2X96W-UNI-24VDC
57	58.4	24	24	PSB-2X40W-UNI-24VDC	174	175.8	73	73	PSB-2X96W-UNI-24VDC
60	61.4	25	25	PSB-2X40W-UNI-24VDC	177	178.8	74	74	PSB-2X96W-UNI-24VDC
63	64.4	26	26	PSB-2X40W-UNI-24VDC	180	181.8	75	75	PSB-2X96W-UNI-24VDC
66	67.4	28	28	PSB-2X40W-UNI-24VDC	183	184.8	76	76	PSB-2X96W-UNI-24VDC
69	70.4	29	29	PSB-2X40W-UNI-24VDC	186	187.8	78	78	PSB-2X96W-UNI-24VDC
72	73.4	30	30	PSB-2X40W-UNI-24VDC	189	190.8	79	79	PSB-2X96W-UNI-24VDC
75	76.4	31	31	PSB-2X40W-UNI-24VDC	192	193.8	80	80	PSB-2X96W-UNI-24VDC
78	79.4	33	33	PSB-2X40W-UNI-24VDC	195	196.8	81	81	PSB-2X96W-UNI-24VDC
81	82.4	34	34	PSB-2X40W-UNI-24VDC	198	199.8	83	83	PSB-2X96W-UNI-24VDC
84*	85.4	35	35	PSB-2X40W-UNI-24VDC	201	202.8	84	84	PSB-2X96W-UNI-24VDC
87	88.4	36	36	PSB-2X60W-UNI-24VDC	204	205.8	85	85	PSB-2X96W-UNI-24VDC
90	91.4	38	38	PSB-2X40W-UNI-24VDC	207	208.8	86	86	PSB-2X96W-UNI-24VDC
93	94.4	39	39	PSB-2X40W-UNI-24VDC	210	211.8	88	88	PSB-2X96W-UNI-24VDC
96	97.4	40	40	PSB-2X60W-UNI-24VDC	213	214.8	89	89	PSB-2X96W-UNI-24VDC
99	100.4	41	41	PSB-2X60W-UNI-24VDC	216	217.8	90	90	PSB-2X96W-UNI-24VDC
102	103.4	43	43	PSB-2X60W-UNI-24VDC	219	220.8	91	91	PSB-2X96W-UNI-24VDC
105	106.4	44	44	PSB-2X60W-UNI-24VDC	222	223.8	93	93	PSB-2X96W-UNI-24VDC
108	109.4	45	45	PSB-2X60W-UNI-24VDC	225	226.8	94	94	PSB-2X96W-UNI-24VDC
111	112.4	46	46	PSB-2X60W-UNI-24VDC	228	229.8	95	95	PSB-2X96W-UNI-24VDC
114	115.4	48	48	PSB-2X60W-UNI-24VDC	231	232.8	96	96	PSB-2X96W-UNI-24VDC
117	118.4	49	49	PSB-2X60W-UNI-24VDC	234	235.8	98	98	PSB-100W-ELV-24VDC
120**	121.4	50	50	PSB-2X60W-UNI-24VDC	237	238.8	99	99	PSB-100W-ELV-24VDC
123	124.8	51	51	PSB-2X60W-UNI-24VDC	240	241.8	100	100	PSB-100W-ELV-24VDC
126	127.8	53	53	PSB-2X60W-UNI-24VDC					

\*Maximum Chrome Length \*\*Maximum Shipping Length

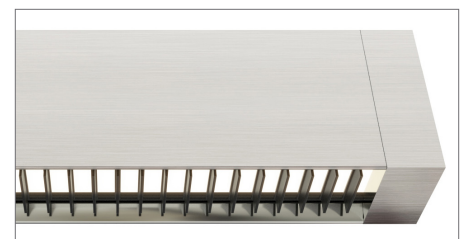
### Channel Finishes



Shown without Louver



Shown with White Louver



Shown with Black Louver

PROJECT	FIXTURE TYPE	DATE
---------	--------------	------

# NOVA UP AND DOWN END FEED

## LED SUSPENSION WITH REMOTE POWER

### Lamp Data: Lamp data for Uplight Channel

NSUDD, NSUDDW, NSUDDB, NSUDCW, NSUDCB																
60° Clear Frosted Lens - Uplight																
DESCRIPTION	2w (2.5 watts)							5w (4.6 watts)								
WATTS PER FOOT																
COLOR TEMPERATURE	22K	24K	27K	30K	35K	40K	57K	22K	24K	27K	27D*	30K	30D*	35K	40K	57K
LUMENS PER FOOT (lm/ft)	165	183	202	221	253	275	293	286	317	349	432	381	432	436	474	504
LUMENS PER WATT (lm/w)	66	73	81	88	101	110	117	65	72	79	90	86	90	99	107	114
CRI	85+	90+	95+	95+	85+	85+	85+	85+	90+	95+	92+	95+	92+	85+	85+	85+

\*27D, 30D - Warm Dim (4.8 Watts)

### Lamp Data: Lamp data for Downlight Channel

NSUDD																
100° Diffused White Lens without Louver																
DESCRIPTION	5w (4.6 watts)							7w (7.3 watts)								
WATTS PER FOOT																
COLOR TEMPERATURE	22K	24K	27K	27D*	30K	30D*	35K	40K	57K	22K	24K	27K	30K	35K	40K	57K
LUMENS PER FOOT (lm/ft)	238	264	290	359	317	359	363	395	420	389	431	475	518	593	645	687
LUMENS PER WATT (lm/w)	54	60	65	75	72	75	83	89	95	53	59	65	71	81	88	94
CRI	85+	90+	95+	92+	95+	92+	85+	85+	85+	85+	90+	95+	95+	85+	85+	85+

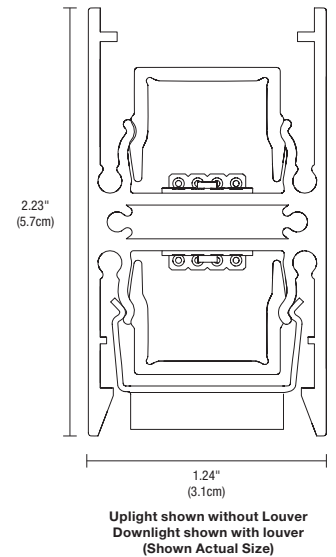
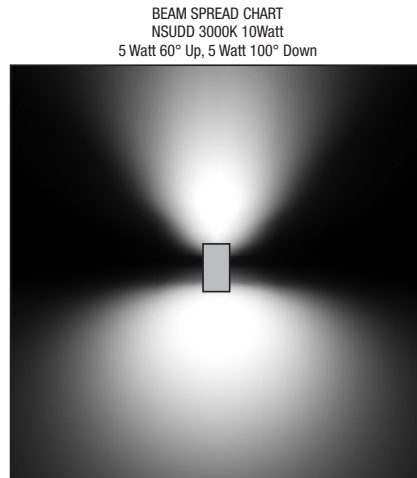
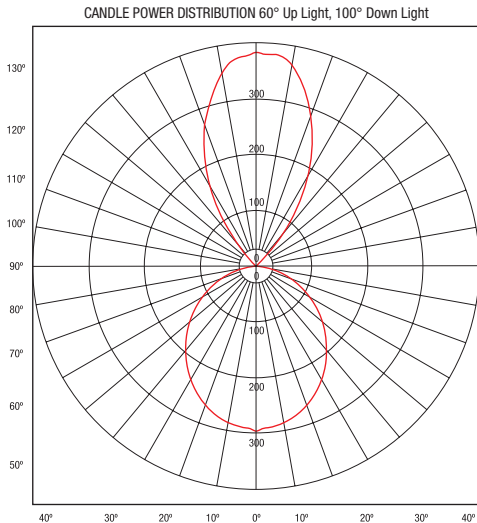
NSUDDW																
100° Diffused White Lens with White Louver																
DESCRIPTION	5w (4.6 watts)							7w (7.3 watts)								
WATTS PER FOOT																
COLOR TEMPERATURE	22K	24K	27K	27D*	30K	30D*	35K	40K	57K	22K	24K	27K	30K	35K	40K	57K
LUMENS PER FOOT (lm/ft)	166	185	203	252	222	252	254	276	294	272	302	332	363	415	452	481
LUMENS PER WATT (lm/w)	38	42	46	52	50	52	58	63	67	37	41	45	50	57	62	66
CRI	85+	90+	95+	92+	95+	92+	85+	85+	85+	85+	90+	95+	95+	85+	85+	85+

NSUDDB																
100° Diffused White Lens with Black Louver																
DESCRIPTION	5w (4.6 watts)							7w (7.3 watts)								
WATTS PER FOOT																
COLOR TEMPERATURE	22K	24K	27K	27D*	30K	30D*	35K	40K	57K	22K	24K	27K	30K	35K	40K	57K
LUMENS PER FOOT (lm/ft)	104	116	127	157	139	157	159	173	184	170	189	208	227	260	283	301
LUMENS PER WATT (lm/w)	24	26	29	33	31	33	36	39	42	23	26	28	31	36	39	41
CRI	85+	90+	95+	92+	95+	92+	85+	85+	85+	85+	90+	95+	95+	85+	85+	85+

NSUDCW																
60° Clear Frosted Lens with White Louver																
DESCRIPTION	5w (4.6 watts)							7w (7.3 watts)								
WATTS PER FOOT																
COLOR TEMPERATURE	22K	24K	27K	27D*	30K	30D*	35K	40K	57K	22K	24K	27K	30K	35K	40K	57K
LUMENS PER FOOT (lm/ft)	200	222	244	302	267	302	305	332	353	327	363	399	436	499	543	578
LUMENS PER WATT (lm/w)	45	50	55	63	60	63	69	75	80	45	50	55	60	68	74	79
CRI	85+	90+	95+	92+	95+	92+	85+	85+	85+	85+	90+	95+	95+	85+	85+	85+

NSUDCB																
60° Clear Frosted Lens with Black Louver																
DESCRIPTION	5w (4.6 watts)							7w (7.3 watts)								
WATTS PER FOOT																
COLOR TEMPERATURE	22K	24K	27K	27D*	30K	30D*	35K	40K	57K	22K	24K	27K	30K	35K	40K	57K
LUMENS PER FOOT (lm/ft)	125	139	153	189	167	189	191	208	221	204	227	250	273	312	339	361
LUMENS PER WATT (lm/w)	28	31	34	39	38	39	43	47	50	28	31	34	37	43	46	49
CRI	85+	90+	95+	92+	95+	92+	85+	85+	85+	85+	90+	95+	95+	85+	85+	85+

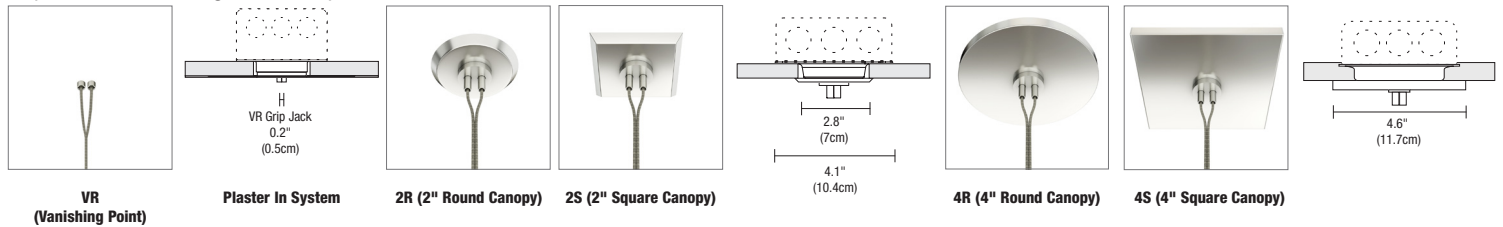
\*27D, 30D - Warm Dim (4.8 Watts)



PROJECT	FIXTURE TYPE	DATE
---------	--------------	------

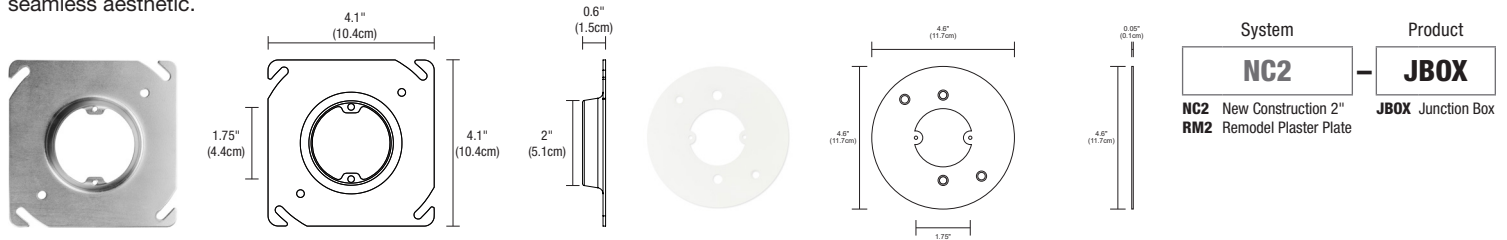
### REMOTE POWER CANOPIES

The 2" Round and Square Canopy includes a the NC2-JBOX. The 4" canopies mount to a standard 4" junction box. Vanishing point is the only truly trimless and flush design available on the market as the suspension cables disappear into the ceiling. Refer to the [Vanishing Point specification](#) for details and requirements including millwork options.

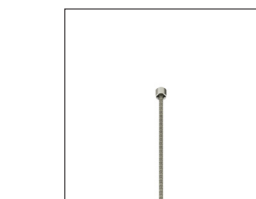


### NEW CONSTRUCTION & REMODEL 2" COVER FOR 4" SQUARE JUNCTION BOX

The New Construction NC2-JBOX cover is included with the 2" round and square canopies and is not required for the 4" square canopies. The NC2 cover mounts to a standard 4" junction or octagon box accommodating the 2" Plaster Ring for use with the 2R and 2S canopies. The Remodel RM2-JBOX plaster plate cover can be used with an existing 4" square junction box. The PS-60L-ELV-24VDC (50 Watt IC, 60 Watt Non-IC) fits within the junction box for a seamless aesthetic.



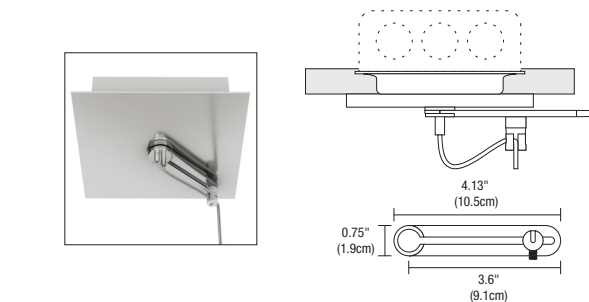
### ACCESSORIES Additional components may be required based on lighting design and application.



### VANISHING POINT NON-POWER CABLE GRIP

The Vanishing Point non-power cable grip is compatible with all PureEdge linear suspensions. Refer to the [Vanishing Point specification](#) for details and requirements including millwork options. Max 33lbs.

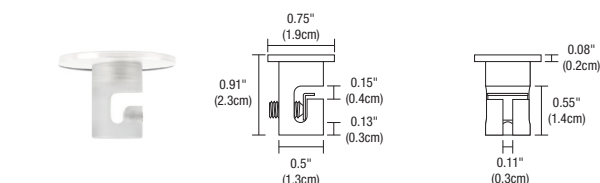
Product	Type/Voltage
<b>VR</b>	<b>CG</b>
VR Vanishing Point .043" Connection, Plastered in to Drywall. No Outline of Canopy at connection point. CG Non-Power Cable Grip	



### CHANNEL SUSPENSION ADJUSTABLE SWAG BAR AND HOOK

Channel Suspension Adjustable Swag Bar and Hook allows a cable to form a straight connection to the channel when the Power Canopy is not located directly above the fixture. Use when you have two or more canopies (power supplies) on the same fixture run. The Adjustable Swag Hook is compatible with the 2R, 2S, 4R and 4S Power Canopies (Canopy not included).

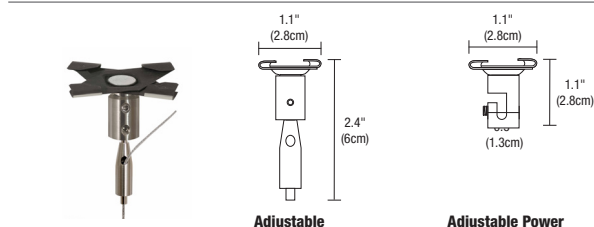
Product	Type	Finish
<b>CS</b>	<b>ADJ-DP-SWAG</b>	<b>SN</b>
CS Channel Suspension	ADJ-SWAG Adjustable Swag Hook for Static White ADJ-DP-SWAG Dual Post Adjustable Swag Hook for 2K4K & RGB	SN Satin Nickel



### CHANNEL SUSPENSION SWAG HOOK

The clear plastic Swag Hook extends a cable from an electrical box that is not located directly above desired fixture location.

System	Type
<b>CS</b>	<b>SWAG</b>
CS Channel Suspension	SWAG Swag Hook



### CHANNEL SUSPENSION ADJUSTABLE T-BAR CLIP

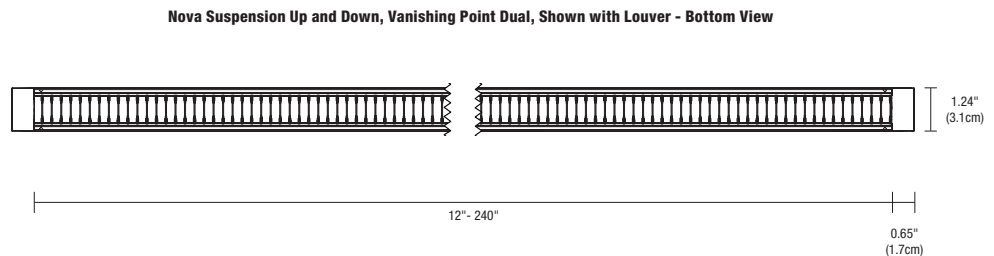
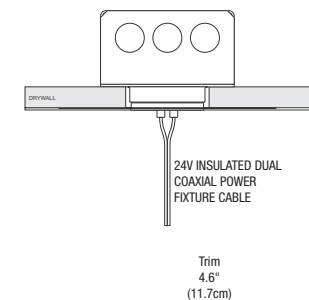
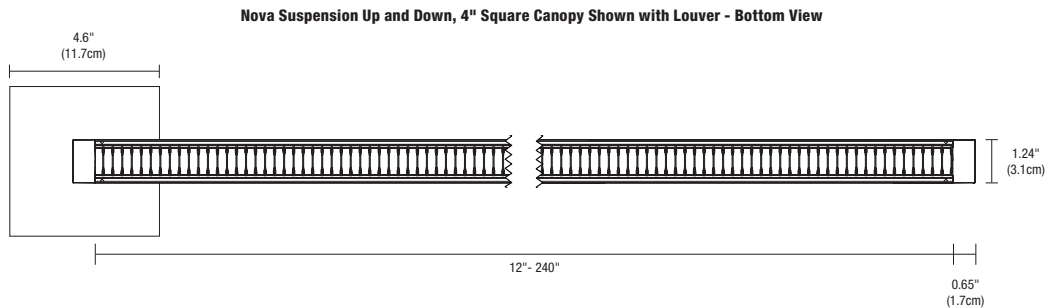
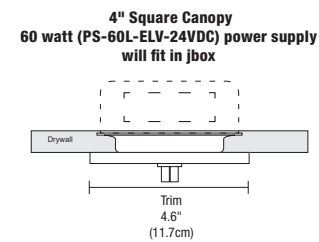
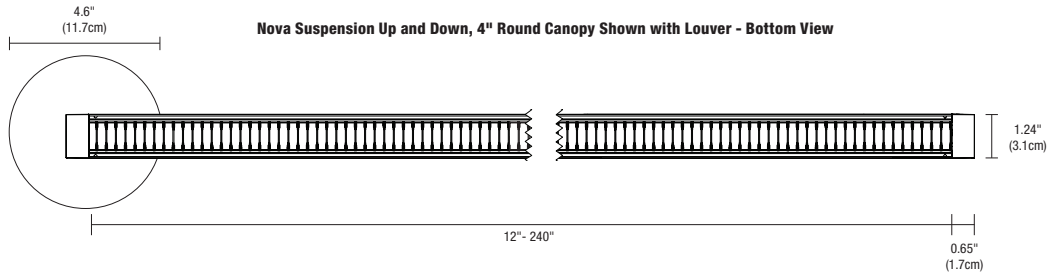
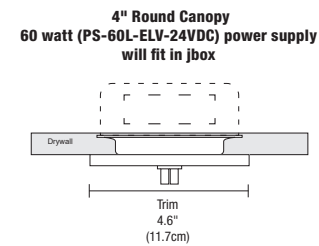
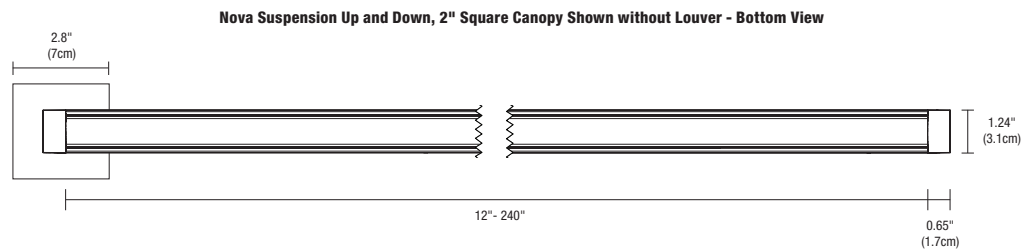
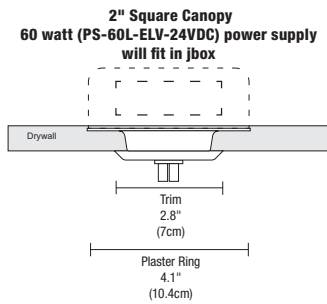
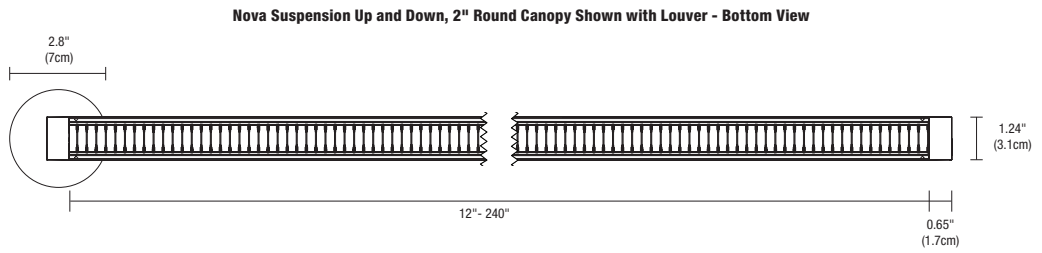
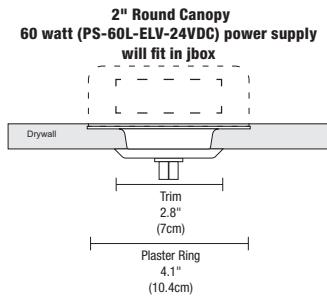
Channel Suspension Adjustable T-Bar Clip mounts to T-Bar grid ceilings. Adjustable is offered in Satin Nickel, Clear plastic for Adjustable Power.

Product	Type	Options
<b>CS</b>	<b>TBAR</b>	<b>A</b>
CS Channel Suspension	TBAR 9/16" and 15/16"	A Adjustable AP Adjustable Power

PROJECT	FIXTURE TYPE	DATE
---------	--------------	------

# NOVA UP AND DOWN END FEED LED SUSPENSION WITH REMOTE POWER

**Drawings:** Drawings are shown with 2 inch round canopy, 2 inch square canopy, 4 inch round canopy, and 4 inch square canopy



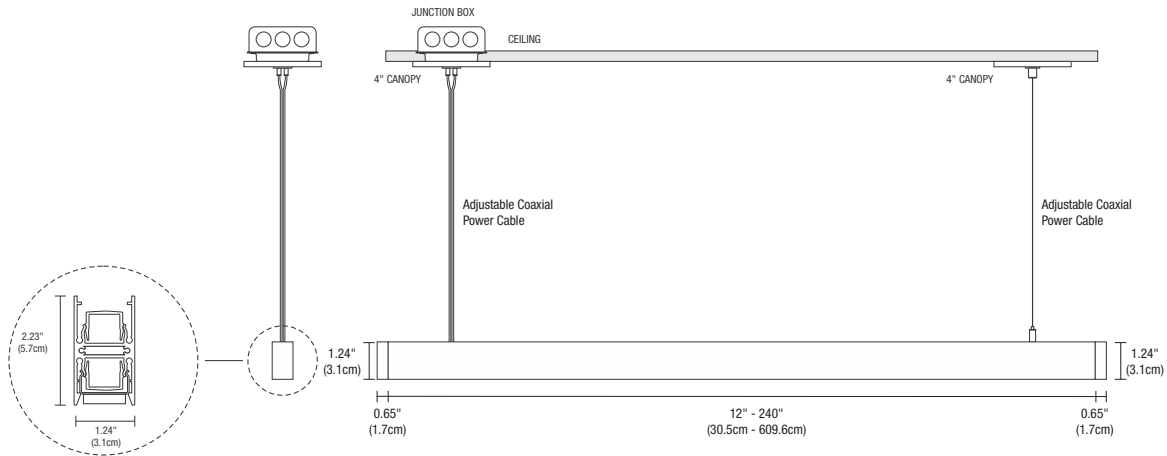
PROJECT	FIXTURE TYPE	DATE
---------	--------------	------

# NOVA UP AND DOWN END FEED LED SUSPENSION WITH REMOTE POWER

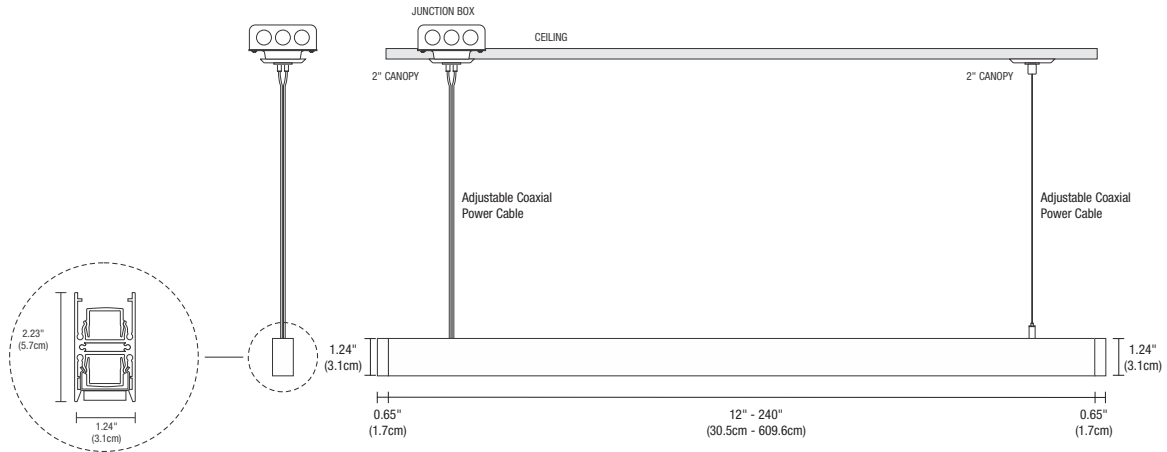
REV 02.22.21

**Drawings:** Side-view shown with two 2 and 4 inch canopies; one for remote power, one blank

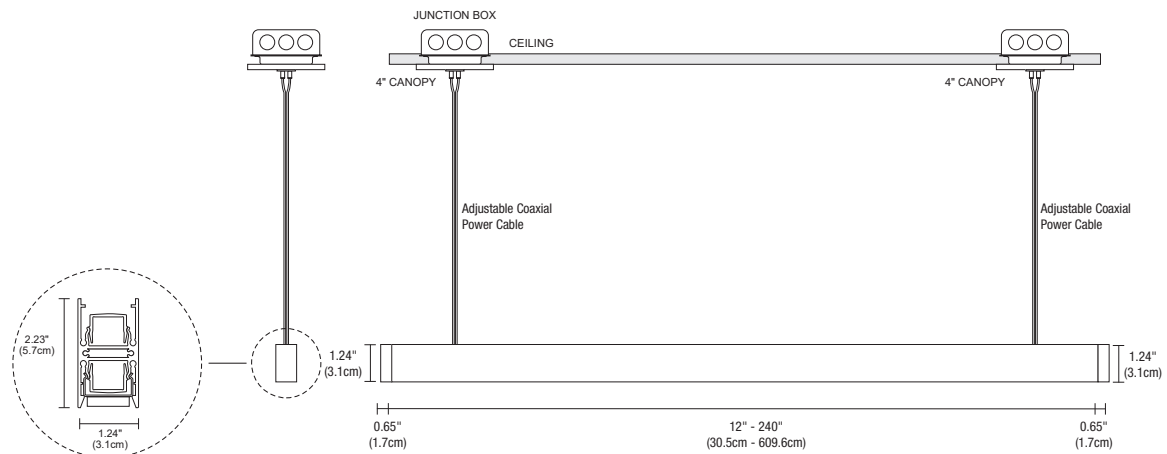
**Nova Suspension Up and Down with Remote Power 4R2, 4S2, 4" Canopy Shown with Louver - Side View**



**Nova Suspension Up and Down with Remote Power 2R2, 2S2, 2" Canopy, Shown with Louver - Side View**



**Nova Suspension Up and Down with Dual Feed Remote Power 2R2, 2S2, 2" Canopy, Shown with Louver - Side View**

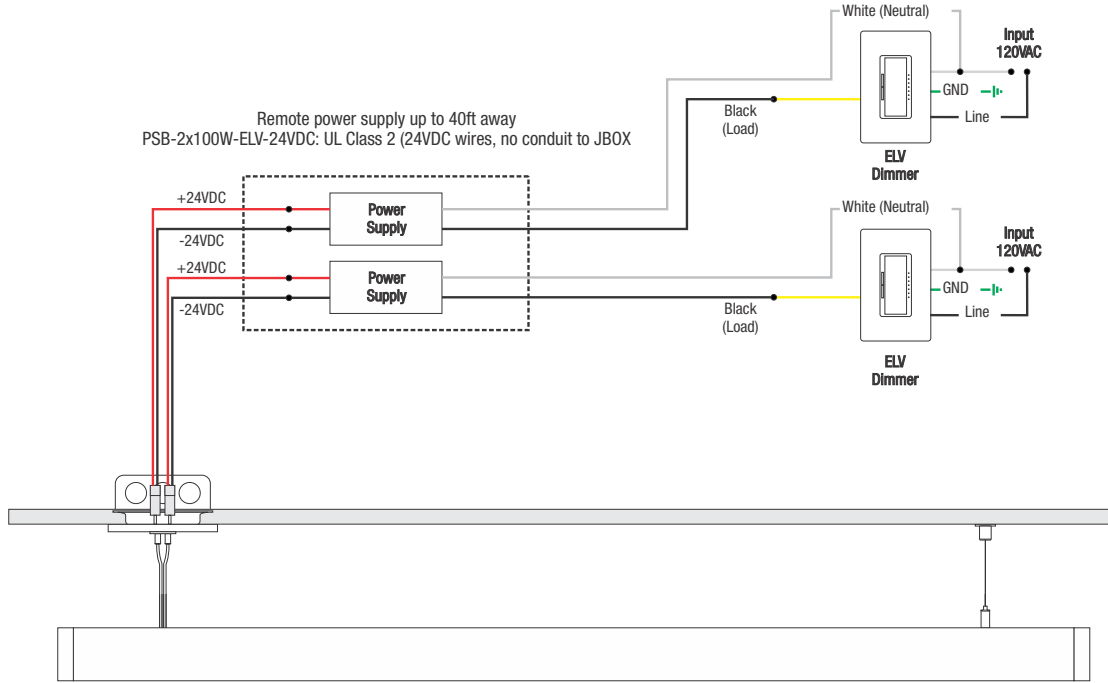


PROJECT	FIXTURE TYPE	DATE
---------	--------------	------



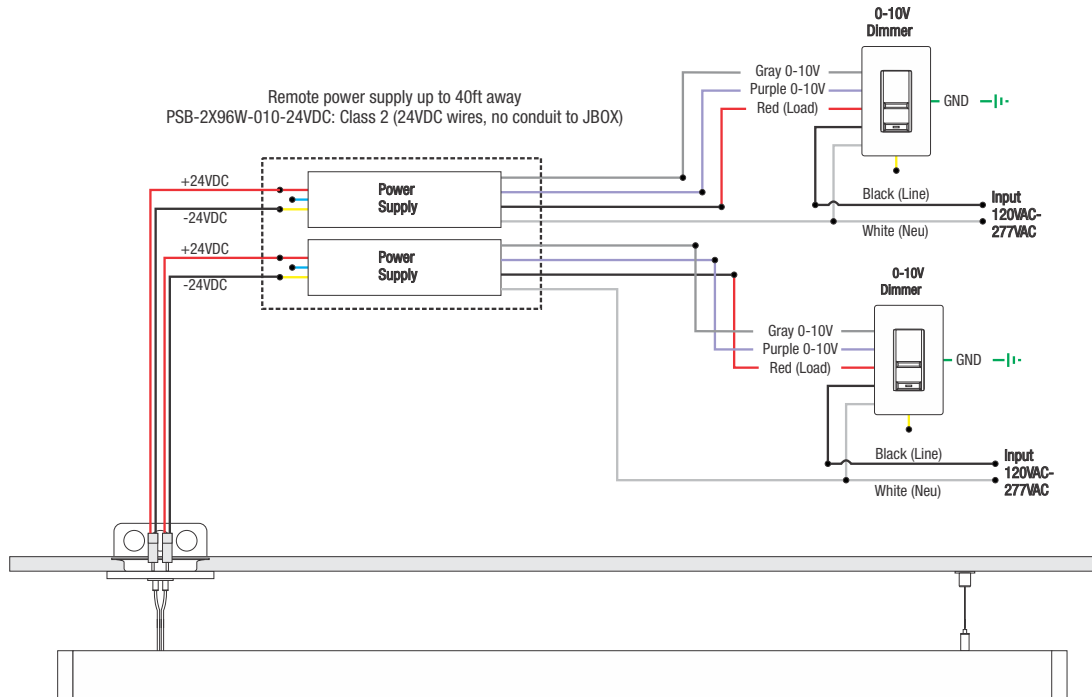
**Wiring Diagram:** Wiring diagram for Static White with Dual ELV Dimmers

**Application:** ELV dimming for Nova Suspension Up and Down with Remote Power - End Feed Canopy, Static White  
**Dimming:** Dimmable with ELV dimmer: Legrand, Adorne ADTP703TU; Lutron: Diva DVELV-300P, Skylark SELV-300P, Maestro MAELV-600 and Radio Ra 2



**Wiring Diagram:** Wiring diagram for Static White with Dual 0-10 Volt Dimmers

**Application:** 0-10V dimming for Nova Suspension Up and Down with Remote Power - End Feed Canopy, Static White  
**Dimming:** Dimmable with 0-10 dimmer: Philips: Sunrise SR1200ZTUNV; Lutron: Diva DDTV-WH, Nova-T NTSTV-DV-XX, Grafix Eye QS QSGRJ-XP, Radio RA2 RRD-1-ND; Leviton: LEV40050, IP710-LFZ; Legrand ADPD4FBL3P2W4



PROJECT	FIXTURE TYPE	DATE
---------	--------------	------

# INDOOR CONSTANT VOLTAGE REMOTE POWER SUPPLIES

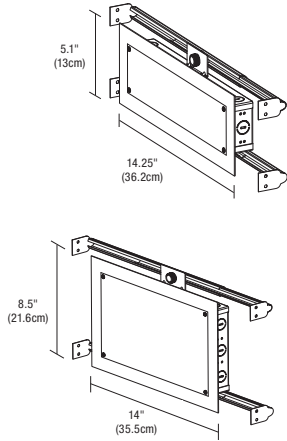
24VDC, UNI - UNIVERSAL DIMMING WITH ELV, TRIAC, & 0-10V

UNIVERSAL POWER SUPPLIES & RECOMMENDED DIMMERS				
ORDERING CODE	PSB-40W-UNI-24VDC 	PSB-60W-UNI-24VDC 	PSB-2X40W-UNI-24VDC 	PSB-2X60W-UNI-24VDC 
<b>SPECIFICATIONS</b>				
MAXIMUM LOAD	40W	60W	2X40W	2X60W
INPUT VOLTAGE	120-277VAC	120-277VAC	120-277VAC	120-277VAC
OUTPUT VOLTAGE	24VDC	24VDC	24VDC	24VDC
DIMENSIONS	12.4" X 3.12" X 2.18"	12.4" X 3.12" X 2.18"	12.15" X 6.48" X 2.18"	12.15" X 6.48" X 2.18"
CLASSIFICATION	CLASS 2	CLASS 2	CLASS 2	CLASS 2
IN-WALL MOUNTING	PSB-40W-UNI-24VDC-IW	PSB-60W-UNI-24VDC-IW	PSB-2X40W-UNI-24VDC-IW	PSB-2X60W-UNI-24VDC-IW
UNIVERSAL POWER SUPPLIES & RECOMMENDED DIMMERS				
ORDERING CODE	PSB-96W-UNI-24VDC 	PSB-2X96W-UNI-24VDC 	PSB-3X96W-UNI-24VDC 	PSB-4X96W-UNI-24VDC 
<b>SPECIFICATIONS</b>				
MAXIMUM LOAD	96W	2X96W	3X96W	4X96W
INPUT VOLTAGE	120-277VAC	120-277VAC	120-277VAC	120-277VAC
OUTPUT VOLTAGE	24VDC	24VDC	24VDC	24VDC
DIMENSIONS	12.4" X 3.12" X 2.18"	12.15" X 6.48" X 2.18"	14" X 10" X 3"	17" X 13" X 3"
CLASSIFICATION	CLASS 2	CLASS 2	CLASS 2	CLASS 2
IN-WALL MOUNTING	PSB-96W-UNI-24VDC-IW	PSB-2X96W-UNI-24VDC-IW	NA	NA
<b>ELV DIMMING &amp; CONTROLS</b>				
LUTRON DIVA: DVELV-300P	•	•	•	•
LUTRON SKYLARK: SELV-300P	•	•	•	•
LUTRON RADIO RA2: RRD-6NA	•	•	•	•
LUTRON MAESTRO: MAELV-600	•	•	•	•
LEGRAND ADORNE: ADTP-703TUM4	•	•	•	•
<b>0-10 DIMMING &amp; CONTROLS</b>				
PHILIPS SUNRISE: SR1200ZTUNV	•	•	•	•
LUTRON DIVA: DVTW-WH, DVSTV-WH	•	•	•	•
LUTRON NOVA T: NTSTV-DV-XX	•	•	•	•
LUTRON GRAFIX EYE QS: QSGRJ-XP	•	•	•	•
LUTRON RADIO RA2: RRD-10ND	•	•	•	•
LEVITON: LEV40050	•	•	•	•
LEVITON IP710-LFZ	•	•	•	•
LEGRAND: ADPD4FBL3P2W4	•	•	•	•
<b>TRIAC DIMMING &amp; CONTROLS</b>				
LUTRON SKYLARK: S2-L-WH	•	•	•	•
LUTRON DIVA DVLV-600P-WH	•	•	•	•
LUTRON DIVA DVLV-603P-WH	•	•	•	•
LUTRON MAESTRO MALV-600-WH	•	•	•	•
LUTRON MAESTRO MALV-1000-WH	•	•	•	•
LUTRON MAESTRO MA-R-XX	•	•	•	•

- Flicker free dimming
- Aluminum casing for optimal heat dissipation
- Isolated output power per NEC and UL safety requirements
- UL & ETL recognized/ listed, meets UL 8750, 1310 requirements
- Auto-reset: short circuit, overload and thermal protection
- Class 2 power supply
- Efficient, High power factor > 0.90
- The Solid State Constant Voltage Uni-Power Supply is compatible with most commercially available Dimmers:
  - Triac Dimmer : (Forward Phase) Typically used for the dimming of Incandescent and Low Voltage Magnetic Transformers
  - ELV Dimmer : (Reverse Phase) Dimming of Electronic Low Voltage Transformers and Power Supply's used for LED lighting
  - 0-10 Dimmer : Dims the Low Voltage side of a 0-10 volt power supply commonly used in large scale lighting or commercial applications.
- The Uni-Power Supply is recommended with any Siemens/Murray brand of arc fault breaker to overcome the issues with tripping the breakers with an ELV LED Low Voltage Drivers.

PROJECT		FIXTURE TYPE		DATE	
---------	--	--------------	--	------	--

**IN WALL MOUNTING OPTIONS**



**In-Wall Mounting Kit:** Includes power supply, box cover and stud hangers for installing Junction Box in wall. Select "IW" in the options section of compatible power supply ordering codes if an In-Wall Mounting Kit is needed.

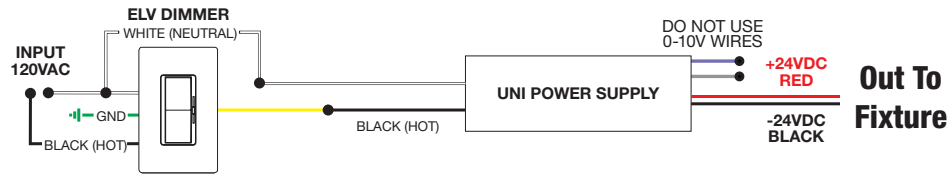
**Ordering Codes 5.1 x 14.25 inch:** PSB-40W-UNI-24VDC-IW  
 PSB-60W-UNI-24VDC-IW  
 PSB-96W-UNI-24VDC-IW

**Ordering Codes 8.5 x 14.25 inch:** PSB-2X40W-UNI-24VDC-IW  
 PSB-2X60W-UNI-24VDC-IW  
 PSB-2X96W-UNI-24VDC-IW

**WIRING DIAGRAMS UNIVERSAL POWER SUPPLY**

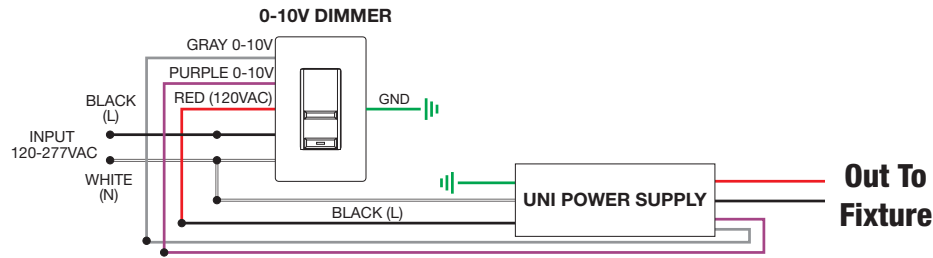
**Application:** ELV dimming for Static White and Warm Dim

**Dimming:** Dimmable with ELV dimmer: Legrand, Adorne ADTP703TU; Lutron: Diva DVELV-300P, Skylark SELV-300P, Maestro MAELV-600 and Radio Ra 2



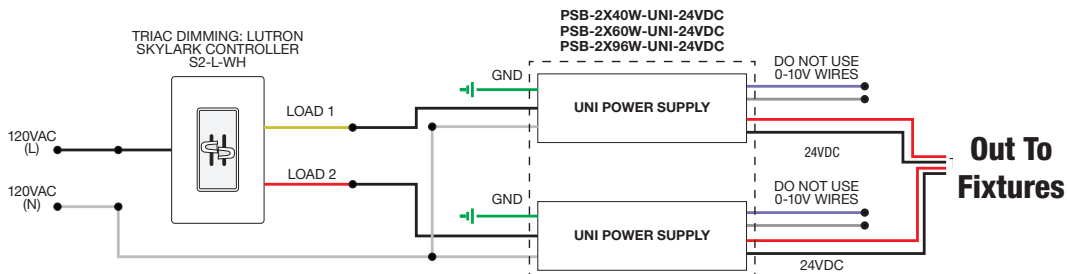
**Application:** 0-10V dimming for Static White

**Dimming:** Dimmable with 0-10V dimmer: Philips Sunrise: SR1200ZTUNV; Lutron Diva: DVTV-WH, DVSTV-WH; Lutron Nova T: NTSTV-DV-XX; Lutron Grafix EYE QS: QSGRJ-XP; Lutron Radio Ra2: RRD-10ND; Leviton: LEV40050; Leviton IP710-LFZ; Legrand: ADPD4FBL3P2W4









**Application:** Triac dimming for two power supplies, use for Static White and Warm Dim

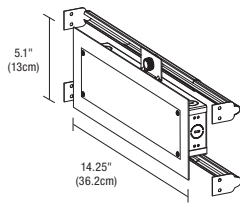
**Dimming:** Dimmable with Triac dimmer: Lutron: Skylark S2-L



PROJECT	FIXTURE TYPE	DATE
---------	--------------	------

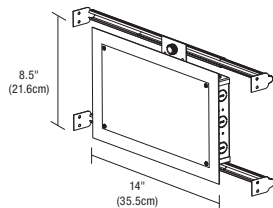
0-10 VOLT (010) POWER SUPPLIES & RECOMMENDED DIMMERS†				
ORDERING CODE	PSB-25W-010-24VDC 	PSB-60W-010-24VDC 	PSB-96W-010-24VDC 	PSB-2X96W-010-24VDC 
SPECIFICATIONS				
MAXIMUM LOAD	25W	60W	96W	2X96W
INPUT VOLTAGE	120VAC	120-277VAC	120-277VAC	120-277VAC
OUTPUT VOLTAGE	24VDC	24VDC	24VDC	24VDC
DIMENSIONS	12.4" X 3.12" X 2.18"	12.4" X 3.12" X 2.18"	12.4" X 3.12" X 2.18"	12.15" X 6.48" X 2.18"
CLASSIFICATION	CLASS 2	CLASS 2	CLASS 2	CLASS 2
IN-WALL MOUNTING	PSB-25W-010-24VDC-IW	PSB-60W-010-24VDC-IW	PSB-96W-010-24VDC-IW	PSB-2X96W-010-24VDC-IW

0-10 VOLT (010) POWER SUPPLIES & RECOMMENDED DIMMERS†			
ORDERING CODE	PSB-3X96W-010-24VDC 	PSB-4X96W-010-24VDC 	
SPECIFICATIONS			
MAXIMUM LOAD	3X96W	4X96W	
INPUT VOLTAGE	120-277VAC	120-277VAC	
OUTPUT VOLTAGE	24VDC	24VDC	
DIMENSIONS	14" X 10" X 3"	17" X 13" X 3"	
CLASSIFICATION	CLASS 2	CLASS 2	
IN-WALL MOUNTING	N/A	N/A	
DIMMING & CONTROLS			
PHILIPS SUNRISE: SR1200ZTUNV	•	•	
LUTRON DIVA: DVTV-WH, DVSTV-WH	•	•	
LUTRON NOVA T: NTSTV-DV-XX	•	•	
LUTRON GRAFIX EYE QS: QSGRJ-XP	•	•	
LUTRON RADIO RA2: RRD-10ND	•	•	
LEVITON: LEV40050	•	•	
LEVITON IP710-LFZ	•	•	
LEGRAND: ADPD4FBL3P2W4	•	•	



**5.1 x 14.25 inch In-Wall Mounting Kit:** Includes power supply, box cover and stud hangers for installing Junction Box in wall. Select "IW" in the options section of compatible power supply ordering codes if an In-Wall Mounting Kit is needed.

**Ordering Codes:** PSB-25W-010-24VDC-IW, PSB-60W-010-24VDC-IW, PSB-96W-010-24VDC-IW



**8.5 x 14 inch In-Wall Mounting Kit:** Includes power supply, box cover and stud hangers for installing Junction Box in wall. Select "IW" in the options section of compatible power supply ordering codes if an In-Wall Mounting Kit is needed.

**Ordering Codes:** PSB-2X96W-010-24VDC-IW

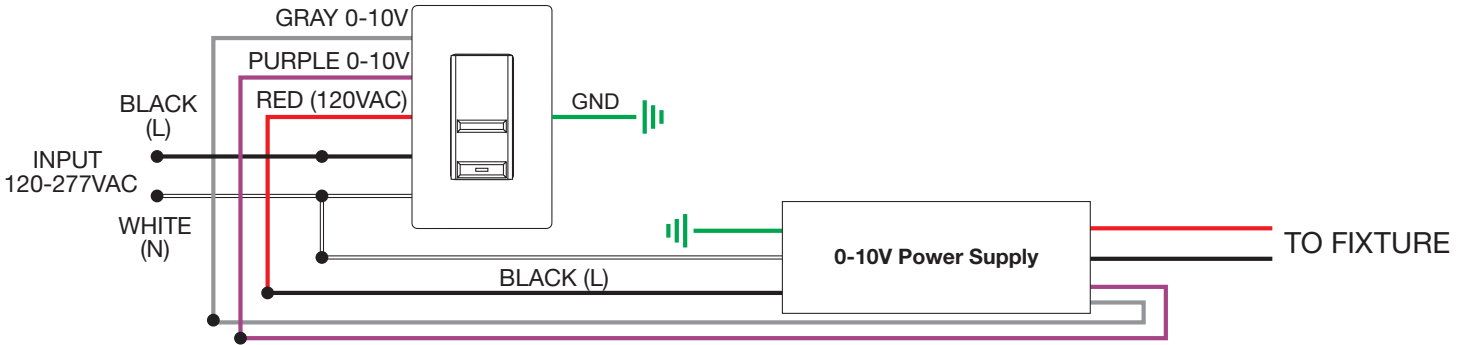
PROJECT		FIXTURE TYPE		DATE	
---------	--	--------------	--	------	--

**SAMPLE WIRING DIAGRAMS 24VDC 010**

**Application:** 0-10V Dimming Applications For Static White and Warm Dim 0-10V Dual Dimming.

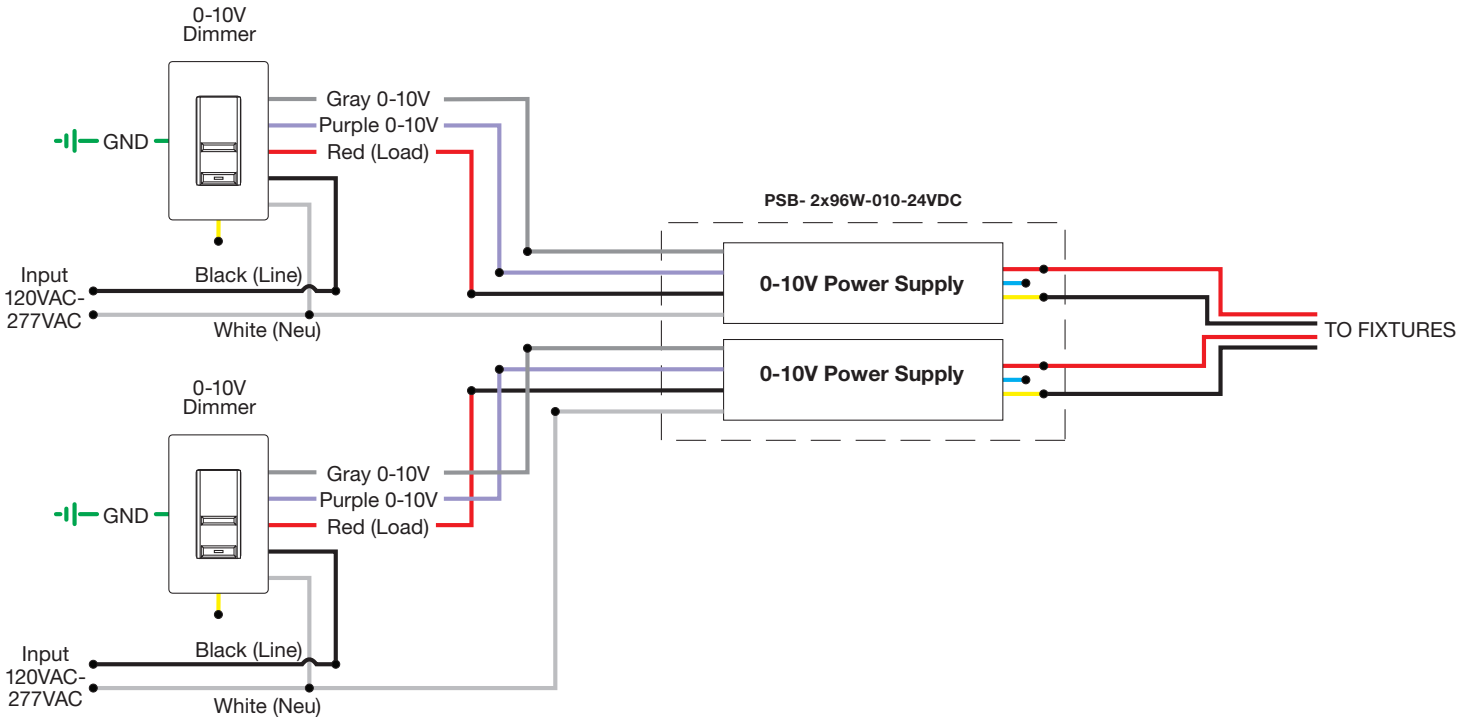
**Dimming:** Dimmable with 0-10V dimmers: Signify (Phillips) Sunrise: SR1200ZTUNV, Leviton Dimmers: LEV40050, IP710-LFZ, \*IP710-DLZ \*(Built in LED locator light) Legrand Dimmer: ADPD4FBL3P2W4 Lutron Systems: Lutron GRAFIX Eye QS Main Unit (with DRX-TVI) Radio Ra2 (with GRX-TVI)

**0-10V DIMMER**



**Application:** Dual 0-10V dimming for Dynamic/Tunable White

**Dimming:** Dimmable with Dual 0-10V dimmers: Signify (Phillips) Sunrise: SR1200ZTUNV, Leviton Dimmers: LEV40050, IP710-LFZ, \*IP710-DLZ \*(Built in LED locator light), Legrand Dimmer: ADPD4FBL3P2W4, Lutron Systems: Lutron GRAFIX Eye QS Main Unit (with DRX-TVI) Radio Ra2 (with GRX-TVI)



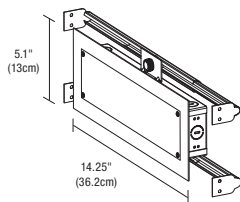
PROJECT	FIXTURE TYPE	DATE

ELECTRONIC LOW-VOLTAGE (ELV) POWER SUPPLIES & RECOMMENDED DIMMERS <sup>†‡</sup>				
ORDERING CODES	<b>PS-60L-ELV-24VDC</b> 	<b>PSB-60W-ELV-24VDC</b> 	<b>PSB-2X60W-ELV-24VDC</b> 	<b>PSB-100W-ELV-24VDC</b> 
SPECIFICATIONS				
MAXIMUM LOAD	60W NON-IC, 50W-IC (FITS IN JBOX)	60W	2X60W	96W
INPUT VOLTAGE	120VAC	120VAC	120VAC	120VAC
OUTPUT VOLTAGE	24VDC	24VDC	24VDC	24VDC
DIMENSIONS	2.25" X 1.25" X 0.83"	8.125" X 2" X 1.75"	12.15" X 6.48" X 2.18"	9.25" X 3.5" X 2"
CLASSIFICATION	CLASS 2	CLASS 2	CLASS 2	CLASS 2
IN WALL MOUNTING	N/A	PSB-60W-ELV-24VDC-IW	PSB-2X60W-ELV-24VDC-IW	PSB-100W-ELV-24VDC-IW
ELECTRONIC LOW-VOLTAGE (ELV) POWER SUPPLIES & RECOMMENDED DIMMERS <sup>†‡</sup>				
ORDERING CODES	<b>PSB-2X100W-ELV-24VDC</b> 	<b>PSB-3X100W-ELV-24VDC</b> 	<b>PSB-4X100W-ELV-24VDC</b> 	
SPECIFICATIONS				
MAXIMUM LOAD	2X96W	3X96W	4X96W	
INPUT VOLTAGE	120VAC	120VAC	120VAC	
OUTPUT VOLTAGE	24VDC	24VDC	24VDC	
DIMENSIONS	12.15" X 6.48" X 2.18"	14" X 10" X 3"	17" X 13" X 3"	
CLASSIFICATION	CLASS 2	CLASS 2	CLASS 2	
IN WALL MOUNTING	PSB-2X100W-ELV-24VDC-IW	N/A	N/A	
DIMMING AND CONTROLS				
LUTRON DIVA: DVELV-300P	•		•	•
LUTRON SKYLARK: SELV-300P	•		•	•
LUTRON RADIO RA2: RRD-6NA	•		•	•
LUTRON MAESTRO: MAELV-600	•		•	•
LEGRAND ADORNE: ADTP-703TUM4	•		•	•

<sup>†</sup>22K - 57K color temperatures are compatible with 0-10V, ELV, and Lutron Hi-Lume® Power Supplies. Warm Dim (27D, 30D) color temperatures are only compatible with ELV power supplies. Tunable White color temperature is compatible with 0-10V, ELV, DMX, and Lutron Hi-Lume® Power Supplies. Dynamic Color (RGB, RGB+W) and Static Color (Amber, Blue, Green, or Red) are compatible with DMX Power Supplies.

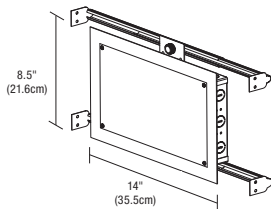
<sup>‡</sup>Electrical Panels using Siemens/Murray AFCI breakers are not compatible with this ELV transformer. Use 0-10 Volt power supplies with this breaker

With N-Lite Dimming Do Not use ELV power supplies, use only 0-10 volt or Uni drivers power supplies



**5.1 x 14.25 inch In-Wall Mounting Kit:** Includes power supply, box cover and stud hangers for installing Junction Box in wall. Select "IW" in the options section of compatible power supply ordering codes if an In-Wall Mounting Kit is needed.

**Ordering Codes:** PSB-60W-ELV-24VDC-IW  
PSB-100W-ELV-24VDC-IW



**8.5 x 14 inch In-Wall Mounting Kit:** Includes power supply, box cover and stud hangers for installing Junction Box in wall. Select "IW" in the options section of compatible power supply ordering codes if an In-Wall Mounting Kit is needed.

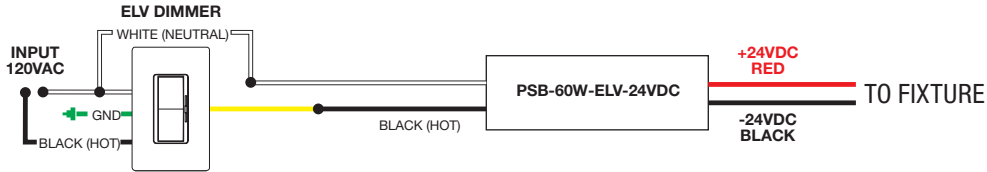
**Ordering Codes:** PSB-2X60W-ELV-24VDC-IW  
PSB-2X100W-ELV-24VDC-IW

PROJECT		FIXTURE TYPE		DATE	
---------	--	--------------	--	------	--

**SAMPLE WIRING DIAGRAMS 24VDC ELV**

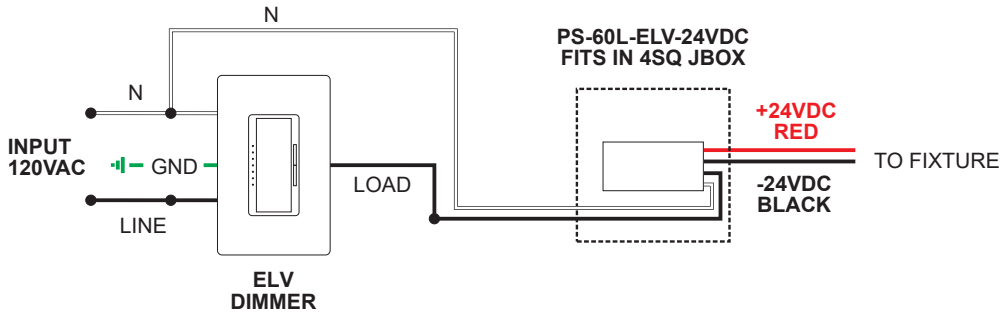
**Application:** ELV dimming for Static White

**Dimming:** Dimmable with ELV dimmer: Legrand, Adorne ADTP703TU; Lutron: Diva DVELV-300P, Skylark SELV-300P, Maestro MAELV-600 and Radio Ra 2



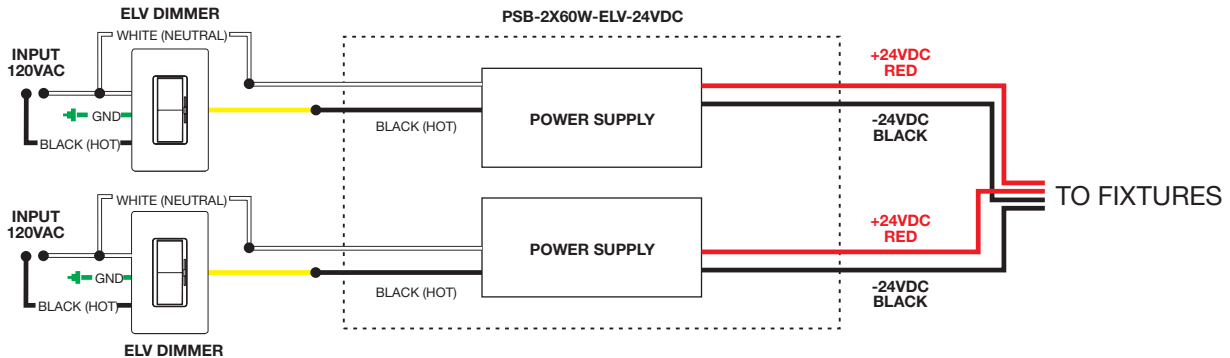
**Application:** ELV dimming for Static White

**Dimming:** Dimmable with ELV dimmer: Legrand, Adorne ADTP703TU; Lutron: Diva DVELV-300P, Skylark SELV-300P, Maestro MAELV-600 and Radio Ra 2



**Application:** Dual ELV dimming for Dynamic/Tunable White

**Dimming:** Dimmable with ELV dimmer: Legrand, Adorne ADTP703TU; Lutron: Diva DVELV-300P, Skylark SELV-300P, Maestro MAELV-600 and Radio Ra 2



PROJECT		FIXTURE TYPE		DATE	
---------	--	--------------	--	------	--

# INDOOR CONSTANT VOLTAGE REMOTE POWER SUPPLIES

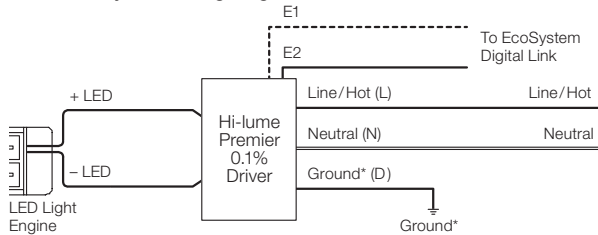
24VDC, LUTRON ECOSYSTEM

## LUTRON HI-LUME® PREMIER .1% ECOSYSTEM®†

	L3D0-96W24V-U	2-WIRE ECOSYSTEM LTEA4U1UKL-CV240	3-WIRE ECOSYSTEM L3DA4U1UKL-CV240
<b>ORDERING CODES</b>			
<b>SPECIFICATIONS</b>			
<b>MAXIMUM LOAD</b>	96W	5W-40W	5W-40W
<b>INPUT VOLTAGE</b>	120-277VAC	120-277VAC	120-277VAC
<b>OUTPUT VOLTAGE</b>	24VDC	24VDC	24VDC
<b>DIMENSIONS</b>	10.5" X 5.5" X 2"	4" X 4.89" X 2.62"	4" X 4.89" X 2.62"
<b>CLASSIFICATION</b>	CLASS 2	CLASS 2	CLASS 2
<b>DIMMING AND CONTROLS</b>			
<b>RADIO RA2</b>	•	•	•
<b>HOMEWORKS QS</b>	•	•	•
<b>PHPM-3F-120</b>	•	•	•
<b>PHPM-3F-DV</b>	•	•	•
<b>BCI-0-10</b>	•	•	•

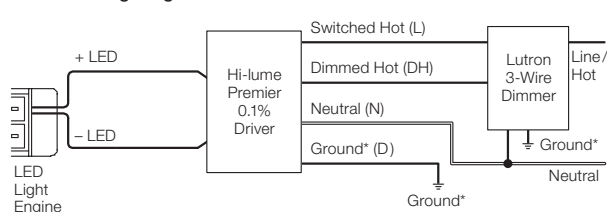
†24K - 57K color temperatures are compatible with 0-10V, ELV, and Lutron Hi-lume® Power Supplies. Warm Dim (27D, 30D) color temperatures are only compatible with ELV power supplies.

2-Wire EcoSystem Wiring Diagram



LTEA4U1UKL-CV240

3-Wire Wiring Diagram



L3DA4U1UKL-CV240

PROJECT	FIXTURE TYPE	DATE
---------	--------------	------



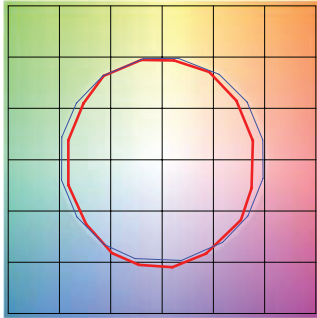
# SUSPENSION TM30 DATA

## LED SUSPENSION WITH REMOTE POWER

**TM-30-15 DATA:** The data below is for SS5C and SS7C bare LED Soft Strips. Consistent color temperatures throughout a single strip and among multiple strips is possible through a 3 phase binning process in which each order is inspected with a color meter to ensure uniformity.

**2200K** | Rf: 83.9 | Rg: 94.9

Color Vector Graphic

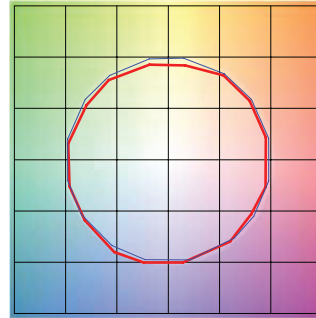


■ Test ■ Reference

HUE BIN	Rf	GRAPHIC SHIFTS %	
		CHROMA	HUE
1	78.8	-9.5%	1.3%
2	80.7	-7.8%	6.7%
3	78.2	-3.3%	9.4%
4	89.7	-2.8%	3.6%
5	93.2	-0.8%	2.6%
6	93.0	-0.6%	-0.7%
7	87.7	-5.9%	-3.5%
8	89.2	-6.8%	1.9%
9	83.4	-5.6%	6.0%
10	79.3	-3.7%	10.8%
11	81.4	2.9%	11.1%
12	84.9	5.3%	4.9%
13	88.1	4.9%	-10.1%
14	68.1	0.1%	-19.5%
15	86.0	-3.3%	-7.3%
16	76.4	-8.9%	-11.7%

**2400K** | Rf: 91.2 | Rg: 96.8

Color Vector Graphic

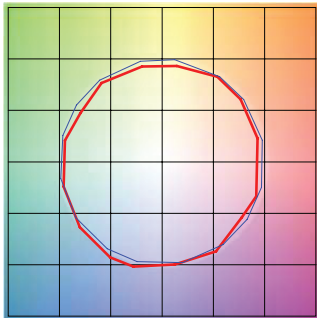


■ Test ■ Reference

HUE BIN	Rf	GRAPHIC SHIFTS %	
		CHROMA	HUE
1	92.0	-2.4%	1.5%
2	94.7	-2.1%	0.0%
3	95.4	-1.9%	-0.1%
4	88.7	-6.7%	-3.1%
5	92.8	-5.6%	1.0%
6	92.7	-3.4%	3.4%
7	89.9	-4.3%	4.1%
8	92.4	-1.4%	4.4%
9	89.0	-0.6%	5.8%
10	88.9	0.4%	6.2%
11	89.7	4.0%	5.4%
12	92.6	3.0%	-0.7%
13	90.9	1.1%	-7.0%
14	89.9	0.5%	-5.8%
15	92.1	-3.2%	0.1%
16	88.9	-1.7%	-6.3%

**2700K** | Rf: 87.7 | Rg: 96.1

Color Vector Graphic

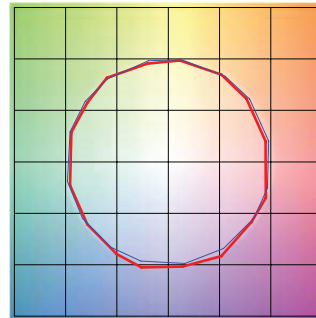


■ Test ■ Reference

HUE BIN	Rf	GRAPHIC SHIFTS %	
		CHROMA	HUE
1	88.0	-4.3%	2.6%
2	91.6	-2.4%	2.0%
3	93.7	-1.4%	1.9%
4	88.9	-5.6%	-3.1%
5	92.3	-5.5%	-0.5%
6	92.9	-3.5%	0.1%
7	84.5	-7.5%	4.6%
8	90.8	-3.0%	4.4%
9	84.5	-1.3%	8.3%
10	83.9	2.0%	9.8%
11	87.2	5.3%	7.1%
12	89.2	5.4%	-2.6%
13	88.7	0.3%	-7.8%
14	86.8	1.7%	-9.3%
15	87.6	-5.4%	-1.3%
16	83.6	-3.3%	-9.5%

**3000K** | Rf: 88.1 | Rg: 99.7

Color Vector Graphic

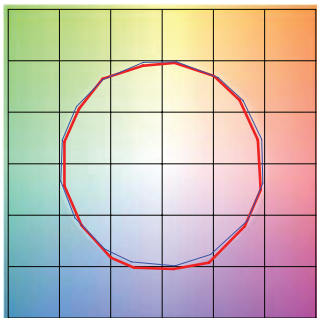


■ Test ■ Reference

HUE BIN	Rf	GRAPHIC SHIFTS %	
		CHROMA	HUE
1	92.5	-3.1%	0.3%
2	93.3	-2.3%	1.9%
3	90.9	-0.8%	3.9%
4	94.3	-1.1%	1.4%
5	92.5	-2.6%	1.5%
6	96.4	1.2%	-0.3%
7	92.6	-2.5%	-0.0%
8	96.9	-1.4%	0.2%
9	92.3	-1.8%	4.3%
10	86.6	-0.7%	7.0%
11	86.5	2.4%	8.2%
12	89.8	5.9%	1.7%
13	93.9	2.6%	-2.7%
14	89.4	5.1%	-5.8%
15	90.1	-0.1%	-4.7%
16	86.5	0.3%	-9.7%

**3500K** | Rf: 86.1 | Rg: 95.5

Color Vector Graphic

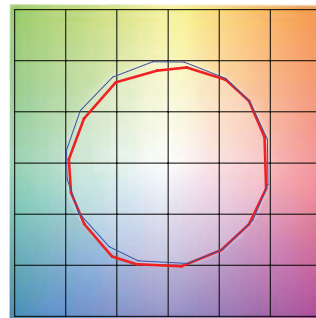


■ Test ■ Reference

HUE BIN	Rf	GRAPHIC SHIFTS %	
		CHROMA	HUE
1	90.8	-3.8%	0.3%
2	92.3	-2.8%	2.1%
3	89.7	-1.0%	4.3%
4	92.6	-1.4%	1.7%
5	91.8	-3.1%	1.3%
6	96.2	0.8%	-0.4%
7	92.9	-3.2%	0.2%
8	94.3	-2.5%	1.5%
9	90.4	-2.5%	5.2%
10	84.3	-1.4%	9.5%
11	83.1	3.5%	9.8%
12	88.2	4.8%	3.4%
13	94.0	2.7%	-2.0%
14	88.7	5.9%	-5.8%
15	88.7	0.7%	-5.9%
16	86.8	-0.7%	-6.7%

**4000K** | Rf: 87.6 | Rg: 96.8

Color Vector Graphic



■ Test ■ Reference

HUE BIN	Rf	GRAPHIC SHIFTS %	
		CHROMA	HUE
1	88.9	-2.4%	2.5%
2	93.3	-0.4%	0.8%
3	94.8	-1.0%	-0.6%
4	87.9	-4.9%	-3.6%
5	85.3	-9.4%	-2.6%
6	90.2	-6.0%	0.2%
7	85.3	-7.6%	4.6%
8	83.7	-4.1%	8.2%
9	79.5	-1.1%	13.8%
10	78.6	1.5%	12.1%
11	83.5	6.4%	7.8%
12	90.9	3.6%	-1.1%
13	88.3	1.7%	-6.3%
14	91.9	-0.4%	-2.2%
15	84.5	-0.9%	-5.5%
16	84.7	-1.1%	-4.4%

PROJECT	FIXTURE TYPE	DATE
---------	--------------	------

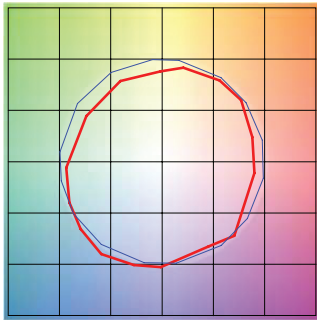
# SUSPENSION TM30 DATA

## LED SUSPENSION WITH REMOTE POWER

**TM-30-15 DATA:** The data below is for SS5C and SS7C bare LED Soft Strips. Consistent color temperatures throughout a single strip and among multiple strips is possible through a 3 phase binning process in which each order is inspected with a color meter to ensure uniformity.

**5700K** | Rf: 80.3 | Rg: 91.5

Color Vector Graphic

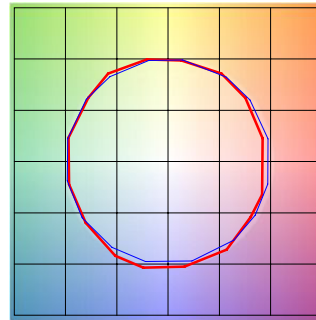


■ Test ■ Reference

HUE BIN	Rf	GRAPHIC SHIFTS %	
		CHROMA	HUE
1	75.4	-8.9%	4.7%
2	87.5	-2.6%	4.6%
3	90.7	-3.0%	-0.5%
4	83.2	-6.0%	-5.7%
5	76.2	-12.9%	-5.3%
6	81.4	-11.9%	-2.6%
7	74.8	-14.0%	5.1%
8	69.0	-9.0%	14.1%
9	72.6	-3.6%	22.2%
10	71.4	2.7%	16.1%
11	81.3	7.9%	5.3%
12	83.6	4.1%	-9.4%
13	78.4	0.7%	-15.3%
14	77.7	-6.2%	-11.0%
15	68.8	-1.3%	-21.2%
16	80.8	-9.6%	3.3%

**2700D** | Rf: 89.5 | Rg: 100.8

Color Vector Graphic

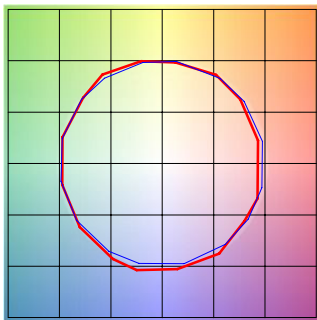


■ Test ■ Reference

HUE BIN	Rf	GRAPHIC SHIFTS %	
		CHROMA	HUE
1	88.8	-5.1%	1.4%
2	89.8	-2.7%	4.1%
3	87.2	0.3%	5.9%
4	92.3	-0.9%	1.0%
5	93.3	1.5%	1.7%
6	92.4	3.6%	-0.2%
7	92.2	-0.9%	-2.4%
8	96.7	-0.4%	-1.1%
9	92.3	-1.2%	3.7%
10	88.9	-0.0%	6.1%
11	86.4	5.1%	7.4%
12	88.2	6.3%	-0.9%
13	87.2	3.8%	-8.1%
14	84.2	3.8%	-11.0%
15	89.8	-2.6%	-4.3%
16	82.7	-3.4%	-11.1%

**3000D** | Rf: 89.8 | Rg: 101.4

Color Vector Graphic



■ Test ■ Reference

HUE BIN	Rf	GRAPHIC SHIFTS %	
		CHROMA	HUE
1	90.2	-4.2%	1.5%
2	90.9	-2.0%	3.7%
3	87.9	0.8%	5.5%
4	92.1	-0.9%	0.6%
5	93.0	1.5%	1.6%
6	92.2	3.9%	-0.2%
7	92.1	-0.3%	-2.0%
8	96.7	0.0%	-1.2%
9	92.5	-0.6%	3.7%
10	88.3	1.1%	7.0%
11	87.2	4.1%	7.4%
12	87.2	6.7%	-1.0%
13	88.2	3.8%	-7.2%
14	85.3	4.3%	-9.9%
15	90.9	-2.2%	-3.6%
16	83.4	-2.2%	-11.2%

PROJECT	FIXTURE TYPE	DATE
---------	--------------	------