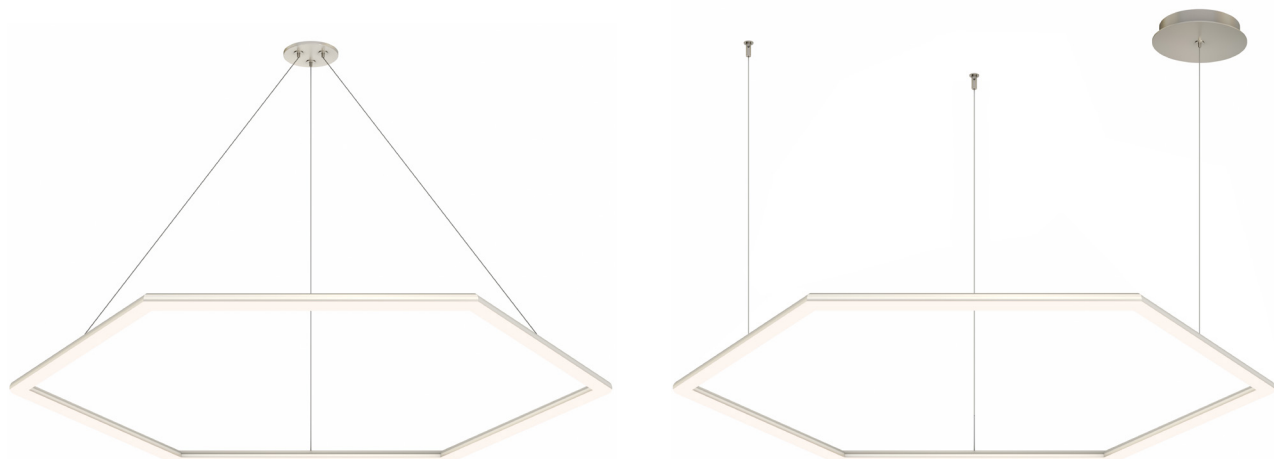


PIPELINE 1 MIYO LIT CORNERS

HEXAGON LED SUSPENSION WITH POWER

DESIGNED BY GREGORY KAY | ASSEMBLED IN AMERICA

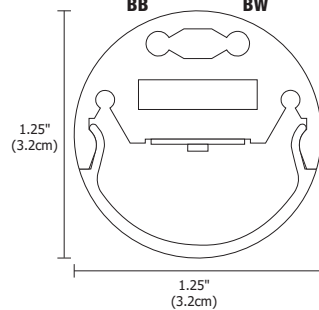
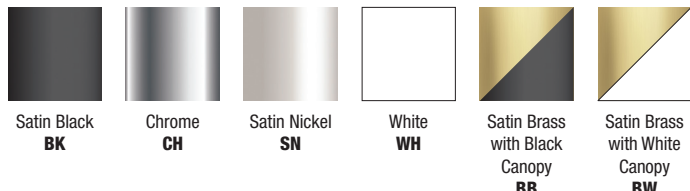
REV 03.10.20



DESCRIPTION

The combination of clean, linear channels to make a geometric design is what makes the Pipeline 1 MIYO (Make-It-Your-Own) Hexagon LED Suspension with power so distinct. The linear channel is available in 5 or 7 watts per foot with up to 95+ CRI, and features a diffused round lens with a 176° degree beam spread. With 5 finishes, lengths from 16" to 45", and 9 LED color temperatures including Warm Dim, you can truly personalize your light fixture. On smaller sizes (40" and less for 5w and 26" for 7w), a flush 4.6" square canopy is supplied. For larger sizes an 8.5" surface mount canopy is included. All these options allow you to become the fixture designer for your unique space. Fixture includes a 5 year prorated warranty. For custom finishes, designs and quotes, send drawings to Design@PureEdgeLighting.com.

FINISHES



Channel (Actual Size)

LENSES

- Diffused White Lens with 176° beam spread

APPLICATIONS

- Designed for indoor use only. Ideal environments include: conference rooms, kitchens, dining rooms, architectural lighting, general lighting, and retail

LAMP

- Choose from 9 color temperatures from 2200K-5700K
- Warm Dim (optional): 2700K to 2000K (27D) or 3000K to 2000K (30D)
- 50,000 Hour Lamp Life

POWER SUPPLY (INCLUDED IN CANOPY)

- 120V input, 24VDC Class 2 output; electronic low voltage LED power supply

DIMMERS AND CONTROLS (ORDER SEPARATELY)

- Electronic Low Voltage Dimming (ELV): 100 Watt Class 2
- 0-10 Volt Dimming (0-10V)
- Lutron Hi-Lume®



Diffused (White Lens)

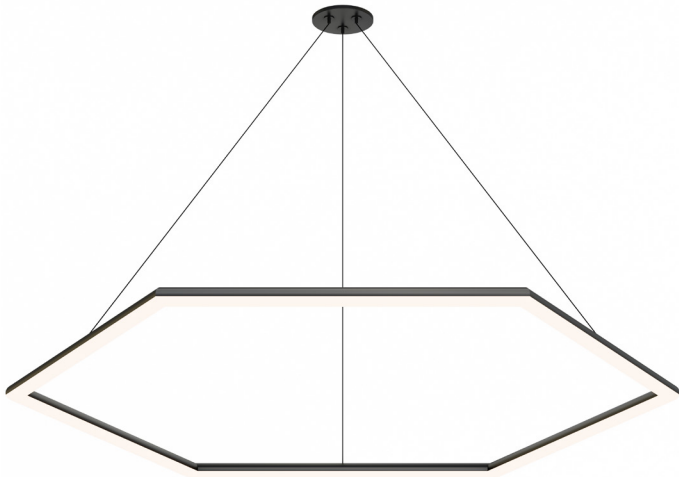
System	Type	Wattage Per Foot	Canopy	Nominal Size (in)	Color Temperature	Finish
P1SDP	HX	5W	C	30	22K	SN
P1SDP Pipeline 1 MIYO Diffused lens, Power	HX Hexagon	5W 4.4 watt 7W 7.3 watt	C Center E End Feed	22K through 57K Sizes: 16, 21, 26, 30, 35, 40, 45 27D, 30D Warm Dim Sizes: 20, 26, 32, 38, 44	22K 2200K Amber White 24K 2400K Very Warm White 27K 2700K Incandescent White 27D 2700K Warm Dim (5W only) 30K 3000K Warm White 30D 3000K Warm Dim (5W only) 35K 3500K Neutral White 40K 4000K Cool White 57K 5700K Daylight White	SN Satin Nickel BK Satin Black WH White CH Chrome BB Satin Brass with Black Canopy and Hardware BW Satin Brass with White Canopy and Hardware

PROJECT	FIXTURE TYPE	DATE
---------	--------------	------

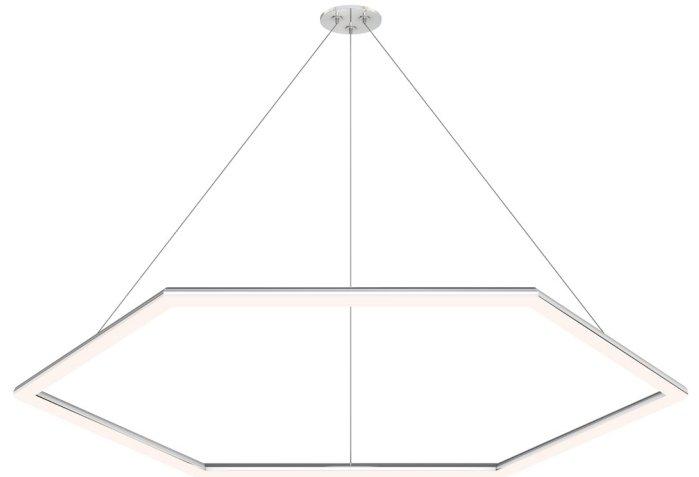
PIPELINE 1 MIYO LIT CORNERS

HEXAGON LED SUSPENSION WITH POWER

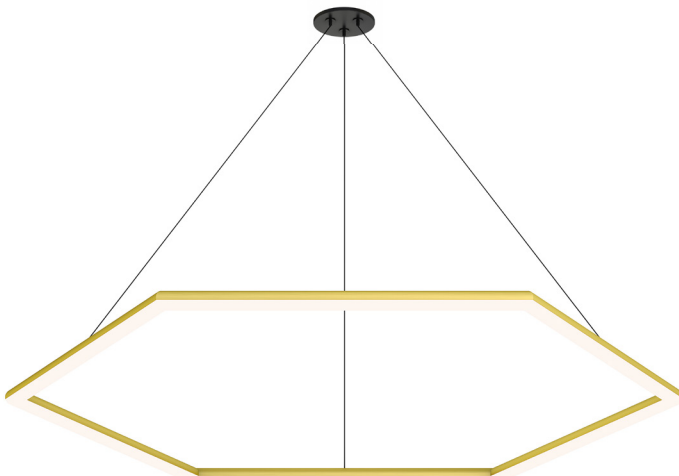
Finishes: The finishes available for the Pipeline MIYO Hexagon LED Suspension fixture



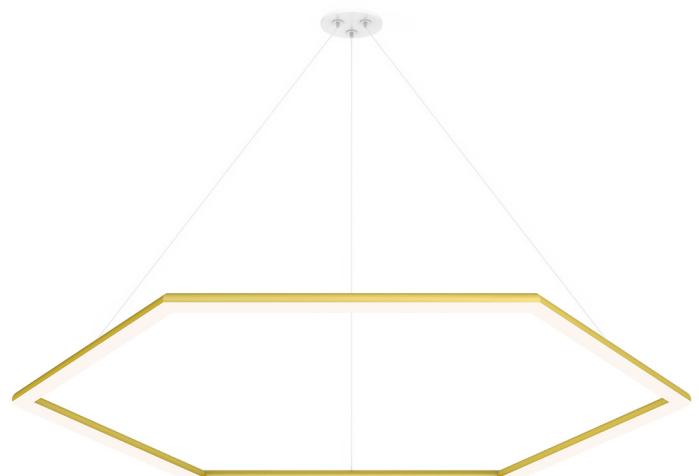
SATIN BLACK
P1SDP-HX-5W-C-30-27K-BK



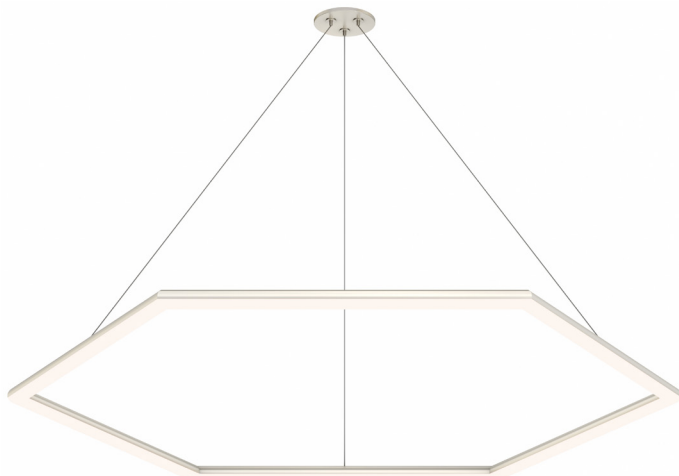
CHROME
P1SDP-HX-5W-C-30-27K-CH



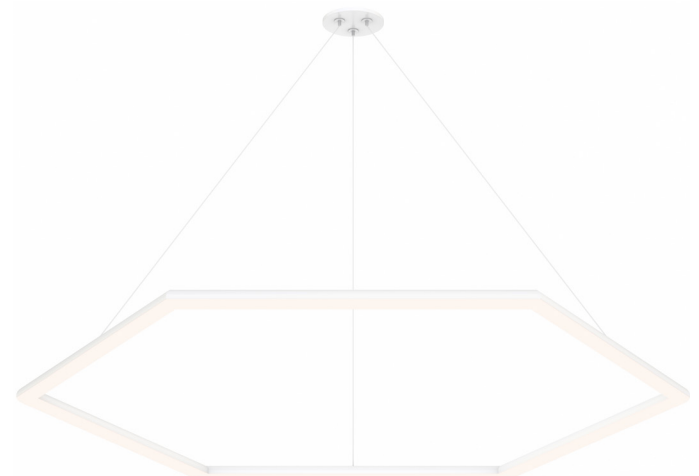
SATIN BRASS WITH BLACK CANOPY
P1SDP-HX-5W-C-30-27K-BB



SATIN BRASS WITH WHITE CANOPY
P1SDP-HX-5W-C-30-27K-BW



SATIN NICKEL
P1SDP-HX-5W-C-30-27K-SN



WHITE
P1SDP-HX-5W-C-30-27K-WH

PROJECT		FIXTURE TYPE		DATE	
---------	--	--------------	--	------	--

PIPELINE 1 MIYO LIT CORNERS

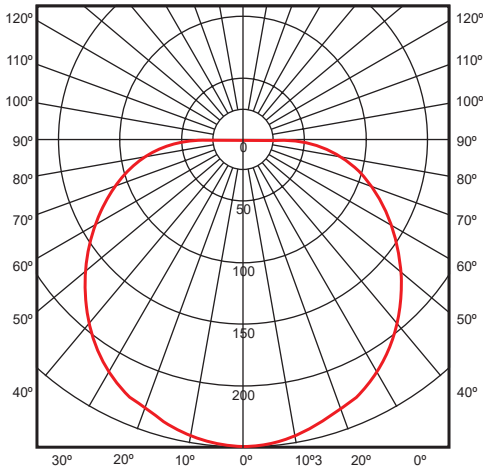
HEXAGON LED SUSPENSION WITH POWER

Lamp Data: Lamp data for the Pipeline MIYO Hexagon LED Suspension fixture

DESCRIPTION	P1SDP													
	176 Degree Diffused White Lens													
	5w (5 watts)							7w (7.5 watts)						
WATTS PER FOOT														
COLOR TEMPERATURE	22K	27K	27D*	30K	30D*	35K	40K	57K	22K	27K	30K	35K	40K	57K
LUMENS PER FOOT (lm/ft)	297	329	414	360	453	412	448	476	439	535	585	670	729	775
LUMENS PER WATT (lm/w)	61	75	86	82	94	94	102	108	60	73	80	92	100	106
CRI	85+	95+	95+	95+	95+	85+	84	84	85+	95+	95+	85+	84	84

*27D, 30D - Warm Dim (4.4 Watts)

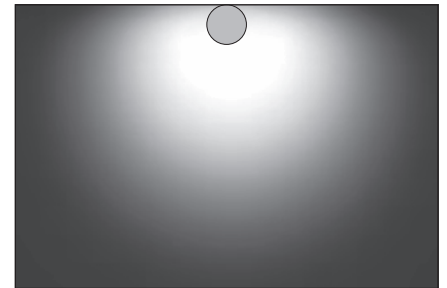
CANDLE POWER DISTRIBUTION 176°



5 Watt 176°	
Distance	Foot Candles
1'	139
1.5'	92
2'	69
3'	45
4'	32
5'	24
6'	19
7'	15
8'	12

7 Watt 176°	
Distance	Foot Candles
1'	227
1.5'	152
2'	114
3'	75
4'	54
5'	40
6'	32
7'	25
8'	21

BEAM SPREAD CHART
P1SD 3000K 5 Watt 176°



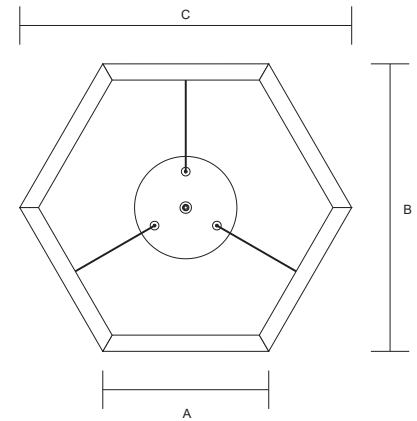
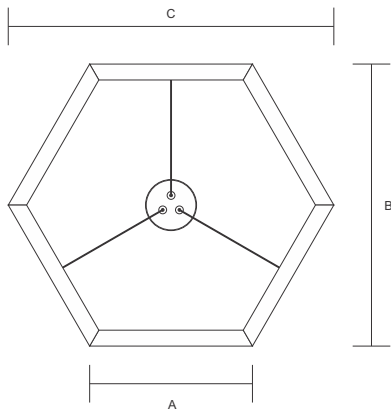
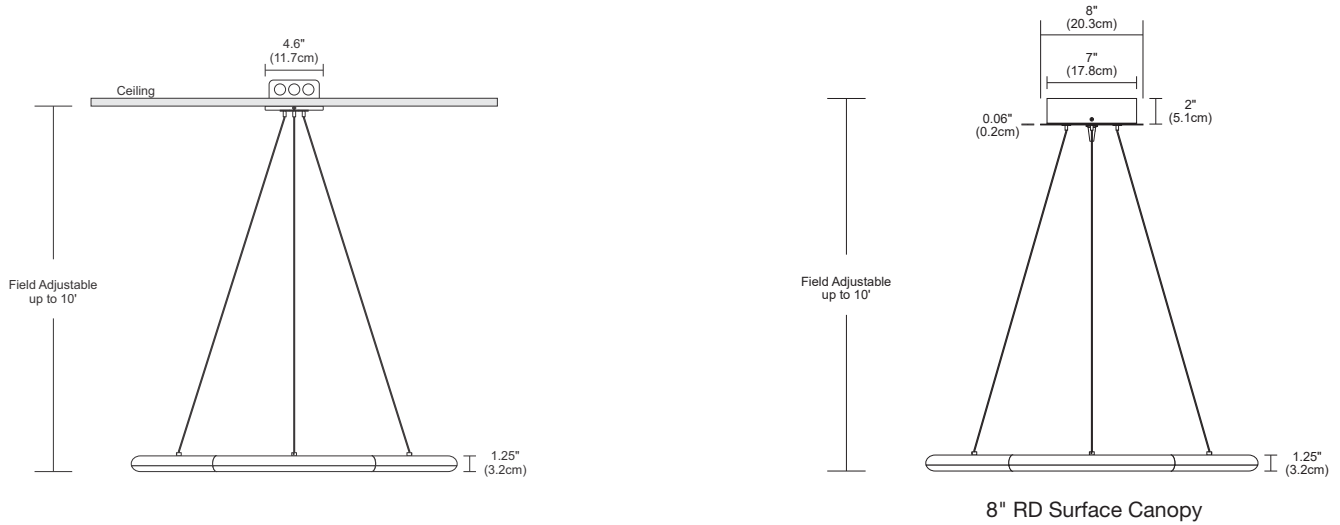
Length Chart: Actual lengths for Pipeline MIYO Hexagon LED Suspension fixture

22K, 24K, 27K, 30K, 35K, 40K & 57K									
Nominal Length C	Dim A (Inches)	Dim B (Inches)	Dim C (Inches)	Total Wattage (5W)	Canopy (5W)	Total Lumens 3000K (5W)	Total Wattage (7W)	Canopy (7W)	Total Lumens 3000K (7W)
16	7.95	13.77	15.90	18	4" Round	1667	27	4" Round	2412
21	10.35	17.93	20.70	24	4" Round	2223	36	4" Round	3216
26	12.75	22.08	25.50	30	4" Round	2778	45	4" Round	4020
30	15.15	26.24	30.30	36	4" Round	3334	54	8" Round Surface	4824
35	17.55	30.40	35.10	42	4" Round	3890	63	8" Round Surface	5628
40	19.95	34.55	39.90	48	4" Round	4445	72	8" Round Surface	6432
45	22.35	38.71	44.70	54	8" Round Surface	5001	81	8" Round Surface	7236

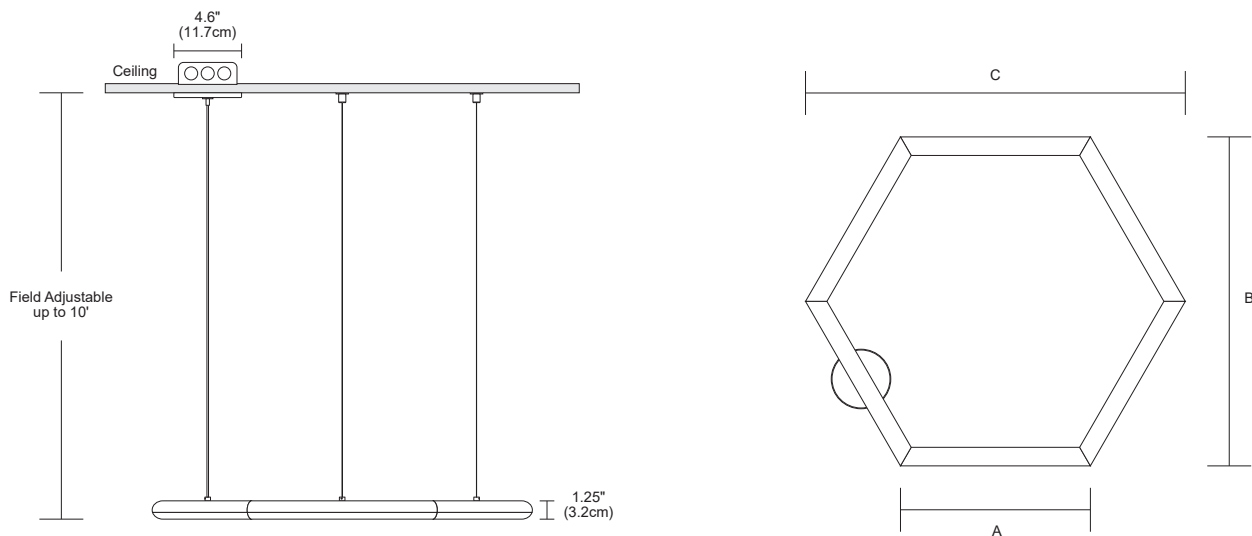
WARM DIM (27D & 30D)						
Nominal Length C	Dim A (Inches)	Dim B (Inches)	Dim C (Inches)	Total Wattage (5W)	Canopy (5W)	Total Lumens 3000K (5W)
20	9.75	16.89	19.50	23	4" Round	2124
26	12.75	22.08	25.50	30	4" Round	2832
32	15.75	27.28	31.50	38	4" Round	3540
38	18.75	32.48	37.50	45	4" Round	4248
44	21.75	37.67	43.50	53	8" Round Surface	4956

PROJECT		FIXTURE TYPE		DATE	
---------	--	--------------	--	------	--

Drawings: Dimensions for the Pipeline MIYO Hexagon LED Suspension fixture, Center Feed



Drawings: Dimensions for the Pipeline MIYO Hexagon LED Suspension fixture, End Feed



PROJECT		FIXTURE TYPE		DATE	
---------	--	--------------	--	------	--

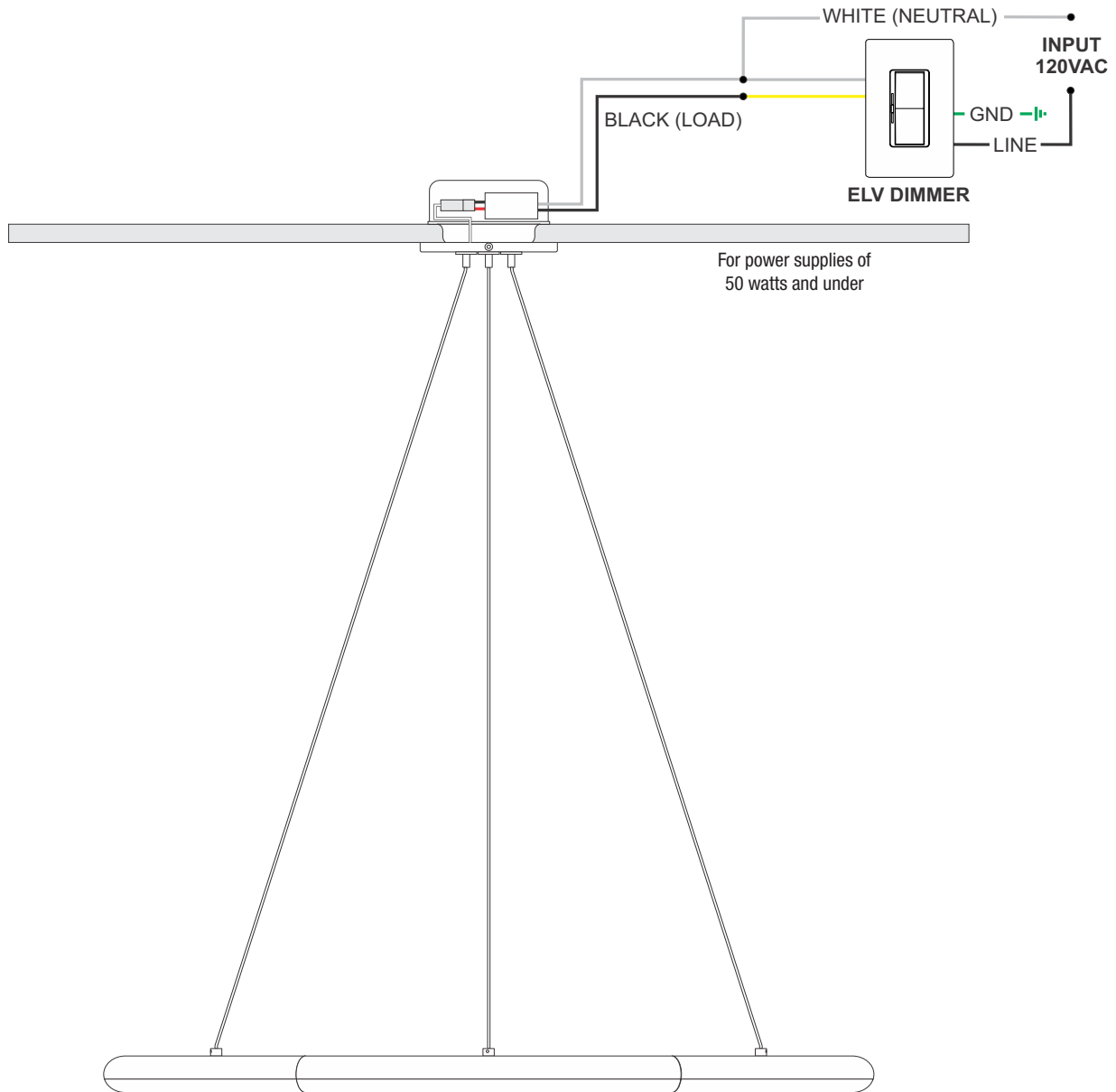
PIPELINE 1 MIYO LIT CORNERS

HEXAGON LED SUSPENSION WITH POWER

Wiring Diagram: Wiring diagram for Static White with Dual ELV Dimmers

Application: ELV dimming for Pipeline MIYO Hexagon LED Power Suspension, Center Feed Canopy, Static White

Dimming: Dimmable with ELV dimmer: Legrand, Adorne ADTP703TU;
Lutron: Diva DVELV-300P, Skylark SELV-300P, Maestro MAELV-600 and Radio Ra 2



PROJECT	FIXTURE TYPE	DATE
---------	--------------	------

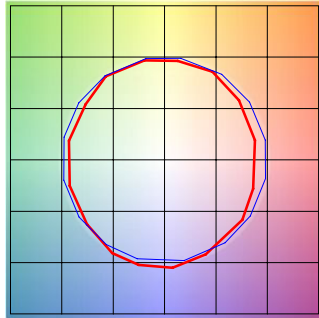
SUSPENSION TM30 DATA

HEXAGON LED SUSPENSION WITH POWER

TM-30-15 DATA: The data below is for SS5C bare LED Soft Strips. Consistent color temperatures throughout a single strip and among multiple strips is possible through a 3 phase binning process in which each order is inspected with a color meter to ensure uniformity.

2200K | Rf: 83.9 | Rg: 94.9

Color Vector Graphic

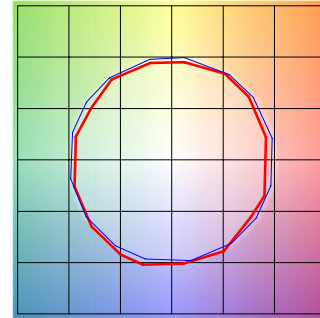


■ Test ■ Reference

GRAPHIC SHIFTS %			
HUE BIN	Rf	CHROMA	HUE
1	77.6	-10.0%	1.8%
2	80.7	-7.5%	7.0%
3	79.5	-2.9%	8.9%
4	90.5	-3.1%	2.4%
5	93.9	-1.3%	1.9%
6	91.9	-0.9%	-0.2%
7	87.6	-6.3%	-2.7%
8	90.5	-5.4%	2.7%
9	83.8	-4.7%	6.5%
10	81.2	-2.5%	10.0%
11	83.3	3.9%	9.4%
12	86.4	5.6%	2.6%
13	86.2	4.5%	-12.4%
14	64.3	-1.0%	-21.9%
15	85.1	-4.4%	-7.5%
16	75.0	-9.9%	-12.0%

2700K | Rf: 87.7 | Rg: 96.1

Color Vector Graphic

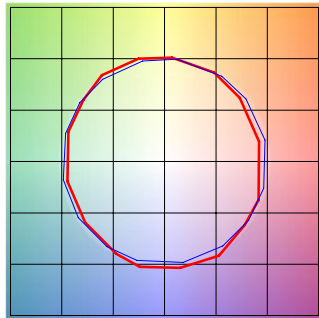


■ Test ■ Reference

GRAPHIC SHIFTS %			
HUE BIN	Rf	CHROMA	HUE
1	86.4	-5.6%	2.3%
2	89.7	-3.3%	3.1%
3	90.5	-1.5%	3.8%
4	90.0	-4.3%	1.1%
5	92.9	-3.7%	0.2%
6	93.5	-2.5%	-0.8%
7	86.3	-7.2%	2.5%
8	90.7	-4.0%	3.2%
9	85.2	-2.4%	8.1%
10	81.7	0.9%	10.8%
11	85.4	4.5%	8.9%
12	88.7	5.7%	-1.4%
13	88.3	1.3%	-7.9%
14	85.1	2.4%	-10.4%
15	88.1	-4.8%	-2.7%
16	81.7	-4.3%	-10.9%

3000K | Rf: 88.1 | Rg: 99.7

Color Vector Graphic

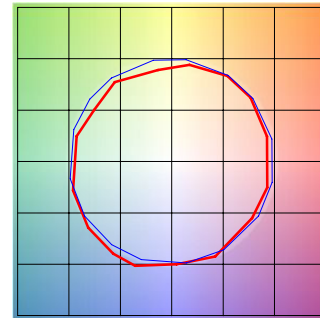


■ Test ■ Reference

GRAPHIC SHIFTS %			
HUE BIN	Rf	CHROMA	HUE
1	87.7	-5.9%	-0.3%
2	87.9	-4.4%	4.3%
3	82.9	-1.2%	7.9%
4	89.9	0.6%	4.7%
5	92.7	3.0%	3.5%
6	92.7	3.6%	-1.7%
7	90.8	-1.3%	-4.4%
8	93.7	-2.5%	-2.2%
9	91.7	-3.7%	2.3%
10	85.5	-2.8%	7.8%
11	83.3	0.7%	11.0%
12	86.4	5.5%	3.8%
13	90.6	4.6%	-3.6%
14	85.6	5.9%	-8.4%
15	89.5	-0.6%	-5.7%
16	82.6	-2.7%	-12.0%

3500K | Rf: 86.1 | Rg: 95.5

Color Vector Graphic

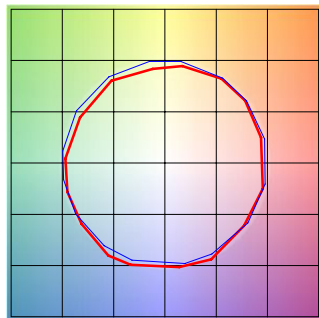


■ Test ■ Reference

GRAPHIC SHIFTS %			
HUE BIN	Rf	CHROMA	HUE
1	86.6	-4.2%	3.4%
2	91.7	-1.4%	1.8%
3	94.9	-0.7%	0.4%
4	87.9	-4.5%	-4.1%
5	85.9	-10.3%	-2.7%
6	89.8	-5.2%	-0.4%
7	79.6	-9.5%	6.5%
8	87.6	-4.0%	5.7%
9	81.4	-0.5%	11.8%
10	78.3	3.3%	11.4%
11	85.7	6.3%	6.1%
12	86.3	7.1%	-4.6%
13	86.1	-0.7%	-9.6%
14	85.1	0.8%	-10.4%
15	83.4	-4.1%	-5.3%
16	82.5	-3.6%	-5.7%

4000K | Rf: 87.6 | Rg: 96.8

Color Vector Graphic

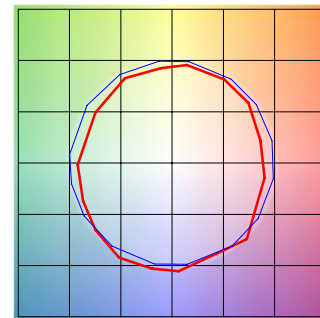


■ Test ■ Reference

GRAPHIC SHIFTS %			
HUE BIN	Rf	CHROMA	HUE
1	89.0	-3.1%	2.1%
2	93.2	-0.9%	1.3%
3	94.3	-1.1%	0.7%
4	89.5	-4.0%	-2.3%
5	87.6	-7.8%	-1.8%
6	92.2	-4.6%	0.1%
7	87.4	-6.6%	3.6%
8	85.7	-3.8%	7.0%
9	81.5	-1.3%	12.4%
10	80.0	0.9%	11.4%
11	83.3	5.9%	8.7%
12	89.7	4.8%	-0.3%
13	88.5	2.4%	-6.3%
14	92.7	4.0%	-3.8%
15	86.1	-1.6%	-4.5%
16	85.0	-1.4%	-5.0%

5700K | Rf: 80.3 | Rg: 91.5

Color Vector Graphic



■ Test ■ Reference

GRAPHIC SHIFTS %			
HUE BIN	Rf	CHROMA	HUE
1	73.8	-11.2%	2.6%
2	83.7	-5.5%	5.8%
3	84.2	-4.0%	5.5%
4	85.8	-3.5%	1.3%
5	85.3	-7.1%	0.6%
6	89.2	-5.8%	-2.2%
7	81.5	-10.7%	1.2%
8	75.7	-9.7%	8.5%
9	74.9	-7.8%	18.8%
10	67.8	-1.6%	18.0%
11	76.1	5.5%	12.0%
12	90.8	4.9%	-1.6%
13	83.6	5.0%	-9.5%
14	81.7	-1.2%	-10.0%
15	69.0	2.0%	-22.8%
16	83.2	-8.5%	-1.0%

PROJECT	FIXTURE TYPE	DATE
---------	--------------	------

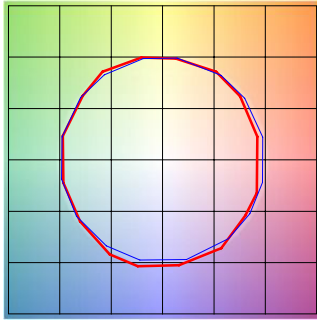
SUSPENSION TM30 DATA

HEXAGON LED SUSPENSION WITH POWER

TM-30-15 DATA: The data below is for SS5C bare LED Soft Strips. Consistent color temperatures throughout a single strip and among multiple strips is possible through a 3 phase binning process in which each order is inspected with a color meter to ensure uniformity.

2700D | Rf: 89.5 | Rg: 100.8

Color Vector Graphic

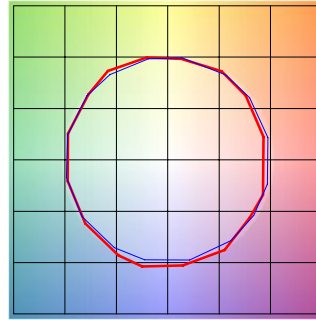


■ Test ■ Reference

HUE BIN	Rf	GRAPHIC SHIFTS %	
		CHROMA	HUE
1	88.8	-5.1%	1.4%
2	89.8	-2.7%	4.1%
3	87.2	0.3%	5.9%
4	92.3	-0.9%	1.0%
5	93.3	1.5%	1.7%
6	92.4	3.6%	-0.2%
7	92.2	-0.9%	-2.4%
8	96.7	-0.4%	-1.1%
9	92.3	-1.2%	3.7%
10	88.9	-0.0%	6.1%
11	86.4	5.1%	7.4%
12	88.2	6.3%	-0.9%
13	87.2	3.8%	-8.1%
14	84.2	3.8%	-11.0%
15	89.8	-2.6%	-4.3%
16	82.7	-3.4%	-11.1%

3000D | Rf: 89.8 | Rg: 101.4

Color Vector Graphic



■ Test ■ Reference

HUE BIN	Rf	GRAPHIC SHIFTS %	
		CHROMA	HUE
1	90.2	-4.2%	1.5%
2	90.9	-2.0%	3.7%
3	87.9	0.8%	5.5%
4	92.1	-0.9%	0.6%
5	93.0	1.5%	1.6%
6	92.2	3.9%	-0.2%
7	92.1	-0.3%	-2.0%
8	96.7	0.0%	-1.2%
9	92.5	-0.6%	3.7%
10	88.3	1.1%	7.0%
11	87.2	4.1%	7.4%
12	87.2	6.7%	-1.0%
13	88.2	3.8%	-7.2%
14	85.3	4.3%	-9.9%
15	90.9	-2.2%	-3.6%
16	83.4	-2.2%	-11.2%

PROJECT	FIXTURE TYPE	DATE
---------	--------------	------