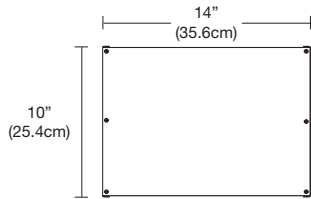


# PSB-3X96W-UNI-24VDC

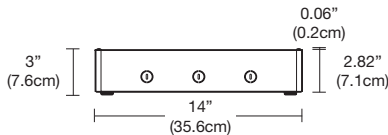
3X96 WATT 24VDC, UNIVERSAL DIMMING (ELV, TRIAC, 0-10V) STATIC WHITE & WARM DIM



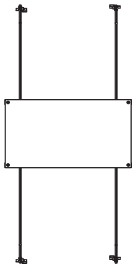
PSB-3x96W-UNI-24VDC



Top View



Side View



**T-BAR Mounting Kit:** Includes power supply, box cover, and T-bar hangers for installing Junction Box above ceiling with in easy reach. Comes with 4' of 14 gauge pair Teflon cables with quick secure connectors.

**Ordering Code:** PSB-96W-UNI-24VDC-TB

## Description

Accepts input voltage in a range of 120 - 277VAC and outputs 24VDC power up to 3x96 watts. Can be used as a dimmable or non-dim Power Supply. Dims down 7% with an ELV dimmer or a 0-10 volt dimmer when two additional wires are connected to the dimmer. Power Supply features short circuit and overload and over temperature protection. Indoor applications only. UL, CUL, RoHS, CE, Title 24 Compliant, AAA Rating, FCC Class B Compliant.

## Applications: Indoor\*

\*To avoid overheating the power supply, install it in a ventilated remote location where air flows. Maintain proper spacing among power supplies when multiple power supplies are installed in the same remote location.

## Mounting

Surface mounted with conduit access

## Power Input

120-277 volts AC, 50/60Hz

## Power Output

Class 2; 24 volts DC 2x4A, 3x96 watts maximum

## Efficiency

>84%

## Power Factor

>0.90

## Dimensions

14" x 10" x 3"

## Ambient Operating Temperature

-25C to 40C

## ELV Dimmer Type

Legrand: Adorne ADTP703TU

Lutron: Diva DVELV-300P, Skylark SELV-300P, Maestro MAELV-600 and Radio RA 2 RRD-6NA

## 0-10 Dimmer Type

Lutron: Radio RA2 (with GRX-TVI), Grafik Eye Qs (with GRX-TVI), Diva (with PP20); Nova T

Philips: Sunrise SR1200ZTUNV

Leviton: IP710-DL

Legrand: ADPD4FBL3P2W4

Product	Wattage	Dimming	Voltage	Options
<b>PSB</b>	<b>96W</b>	<b>UNI</b>	<b>24VDC</b>	STANDARD (Leave Blank)
<small>PSB Power Supply with Enclosure Box</small>	<small>96W 96 Watt</small>	<small>UNI Universal Power Supply</small>	<small>24VDC 24 Volt DC</small>	<small>TB T-Bar</small>

The Solid State Constant Voltage Uni-Power Supply is compatible with most commercially available Dimmers:

Triac Dimmer : (Forward Phase) Typically used for the dimming of Incandescent and Low Voltage Magnetic Transformers

ELV Dimmer : (Reverse Phase) Dimming of Electronic Low Voltage Transformers and Power Supply's used for LED lighting

0-10 Dimmer : Dims the Low Voltage side of a 0-10 volt power supply commonly used in large scale lighting or commercial applications.

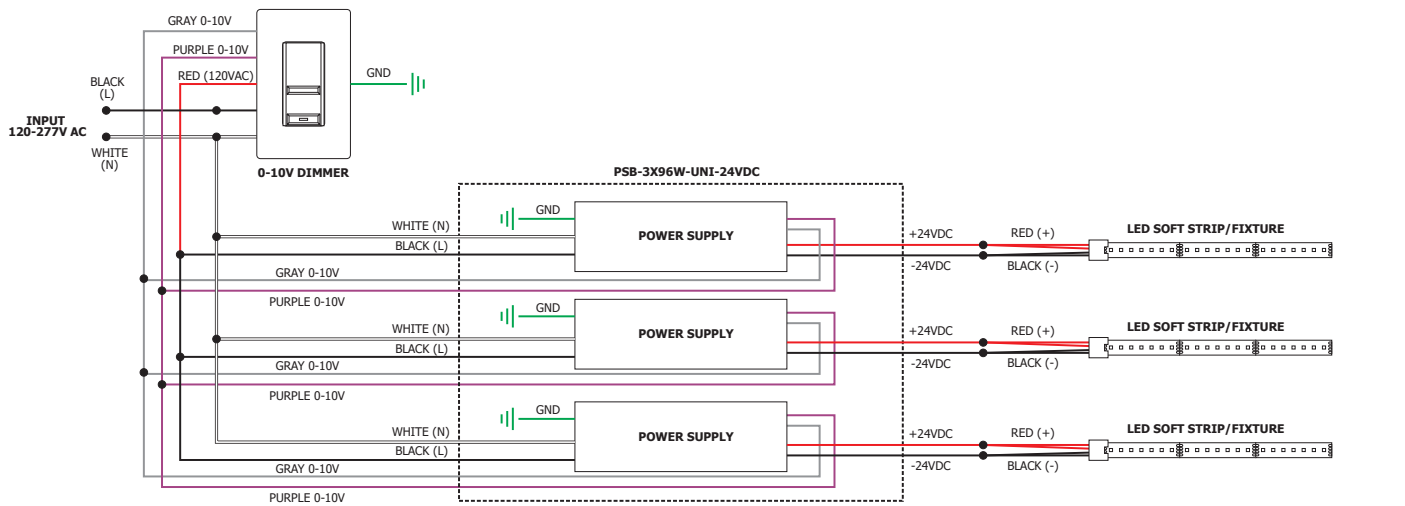
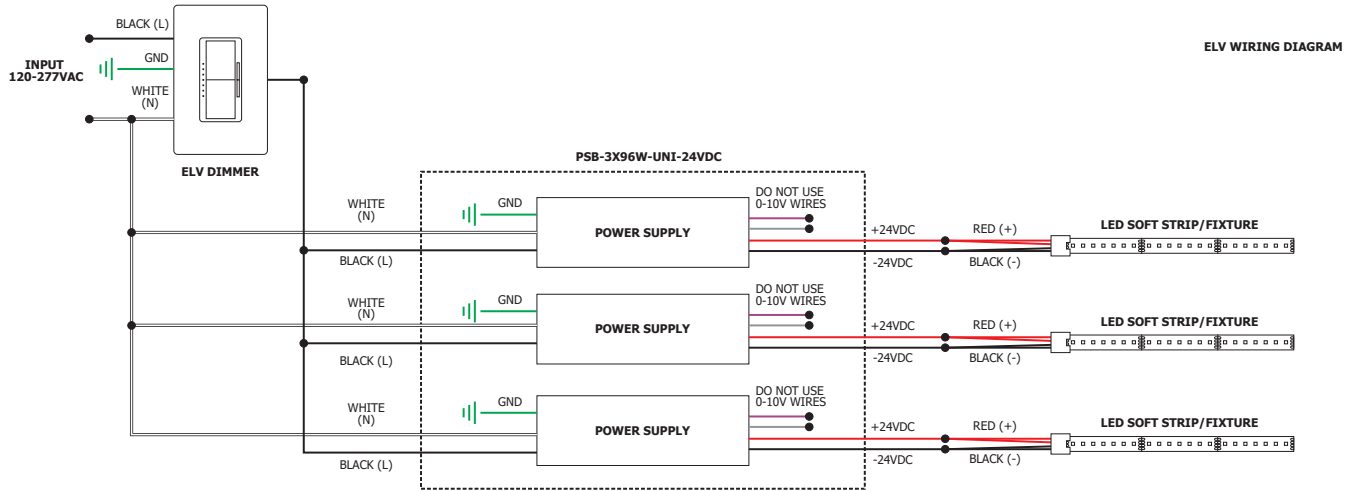
\*Title 24 with JA8 listed PureEdge products and systems.

The Uni-Power Supply is recommended with any Siemens/Murray brand of arc fault breaker to overcome the issues with tripping the breakers with ELV Low Voltage Drivers.

PROJECT		FIXTURE TYPE		DATE	
---------	--	--------------	--	------	--

# PSB-3X96W-UNI-24VDC

3X96 WATT 24VDC, UNIVERSAL DIMMING (ELV, TRIAC, 0-10V) STATIC WHITE & WARM DIM



PROJECT	FIXTURE TYPE	DATE