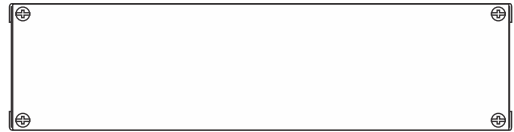




1718 W. Fullerton Chicago, IL 60614
 Ph: 773.770.1195 • Fax: 773.935.5613
 www.PureEdgeLighting.com • info@PureEdgeLighting.com
 © 2016 PureEdge Lighting. All Rights Reserved.

Installation Instructions for **96 Watt 24 Volt DC Power Supply with 0-10 Volt Dimming Module**



SAVE THESE INSTRUCTIONS!



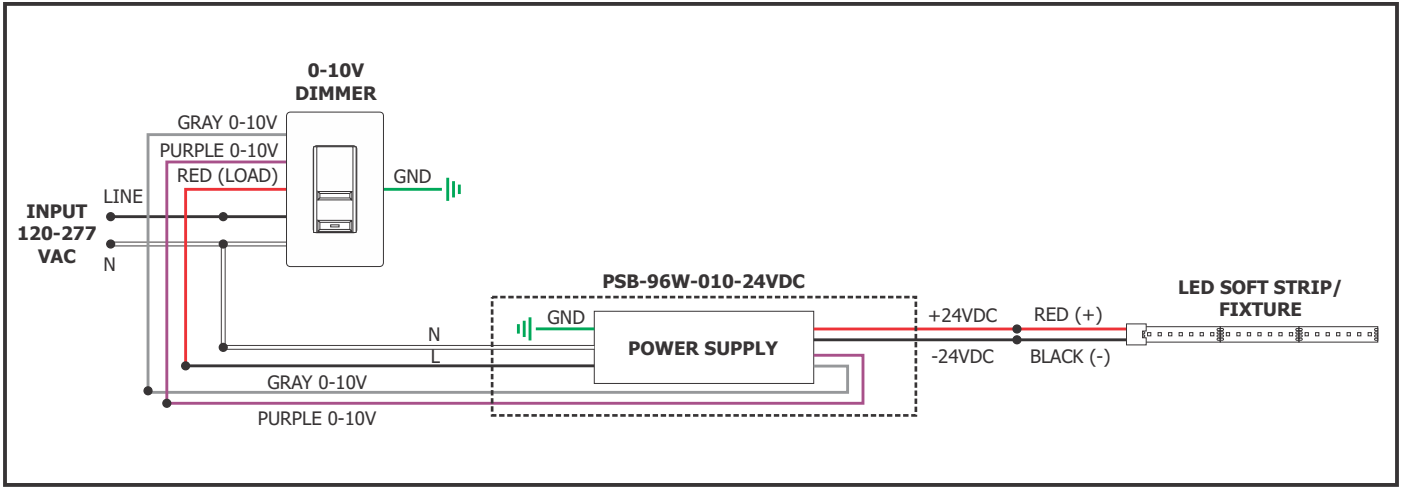
GENERAL INFORMATION

- **RISK OF FIRE:** This product must be installed by a qualified electrician. Turn the power to the electrical box off during installation. Read the "Important Safety Instructions" before installation.
- **NOTE:** To avoid overheating the power supply, install it in a ventilated remote location where air flows. Maintain proper spacing among power supplies when multiple power supplies are installed in the same remote location.
- This product is not suitable for wet locations. It is approved for the use at any height above the finished floor.
- A typical installation is shown. Specific installation must be in accordance with the local electrical codes.
- **TO REDUCE RISK OF FIRE,** it is important to wire the power supply for the system as described in this installation instruction.
- Load the power supply to **MAXIMUM 96** Watts.
- For multiple parallel runs, do not exceed 32' total length.

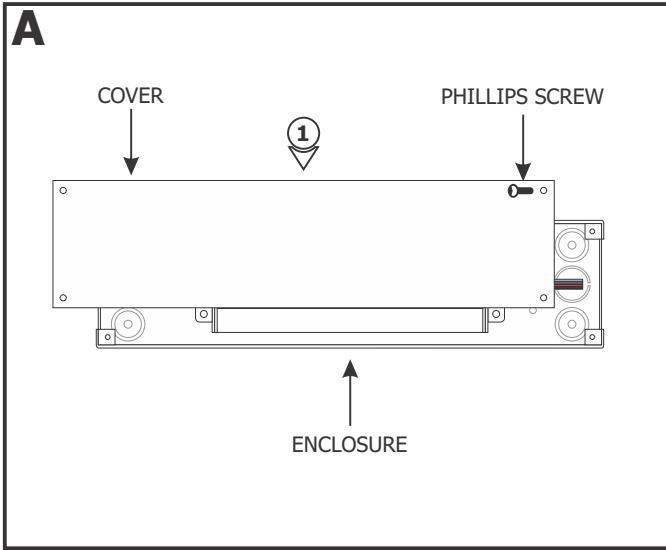
IMPORTANT SAFETY INSTRUCTIONS

- Do not install this power supply in a wet location.
 - To reduce the risk of the system overheating and possibly causing a fire, make sure all the connections are tight.
 - Do not install *LED fixture closer than 3" or as specified in the *LED fixture installation instructions to curtains or similarly combustible materials. Keep insulation at least 3" away from the enclosure.
 - Turn the electrical power off before modifying the lighting system in any way.
 - The system is "ETL" listed for USA and Canada only when all the products used are supplied by PureEdge Lighting.
- *See LED fixture installation instructions for proper placement.

General Wiring Diagram



Install the Power Supply

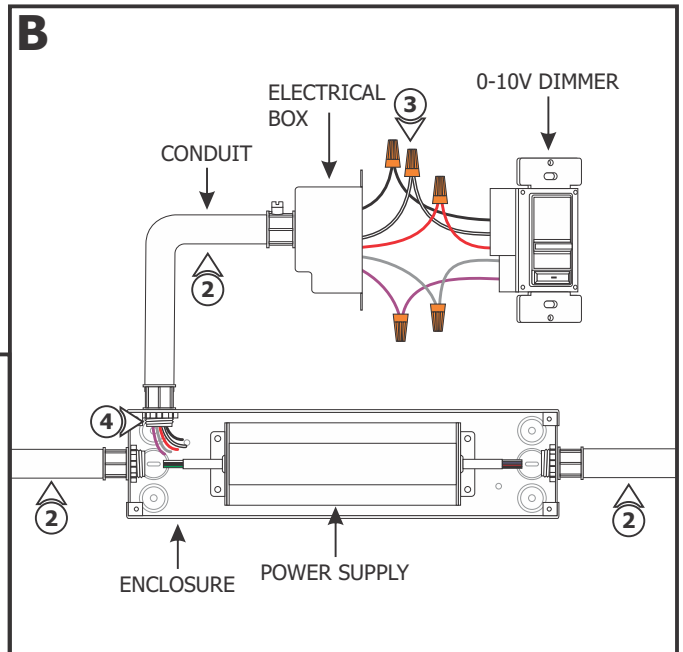


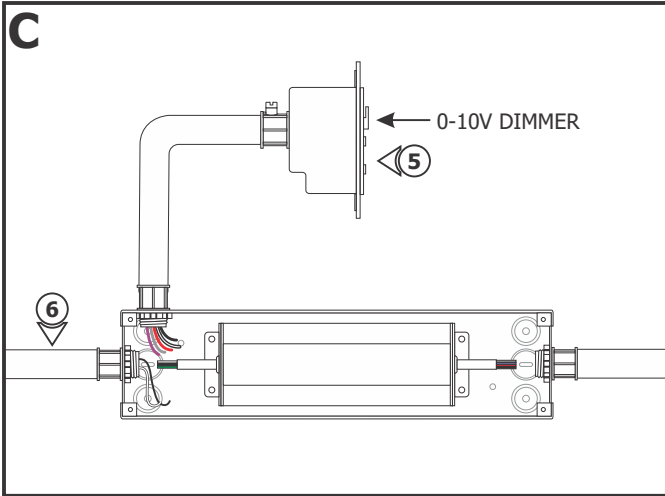
1: Remove the four Phillips screws to slide the cover off of the enclosure.

2: Install conduits from the controller, main panel (line voltage) and soft strip or fixture to the power supply enclosure.

3: Connect the black, white, red, purple and gray controller wires respectively to the black, white, red, purple and gray wires with a wire nut. For three way switching, refer to the instructions provided with the controller.

4: Run the wires from the controller to the power supply enclosure.



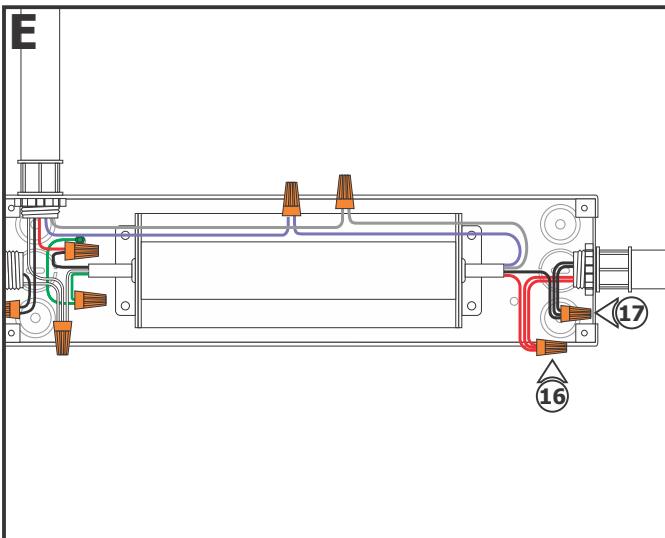
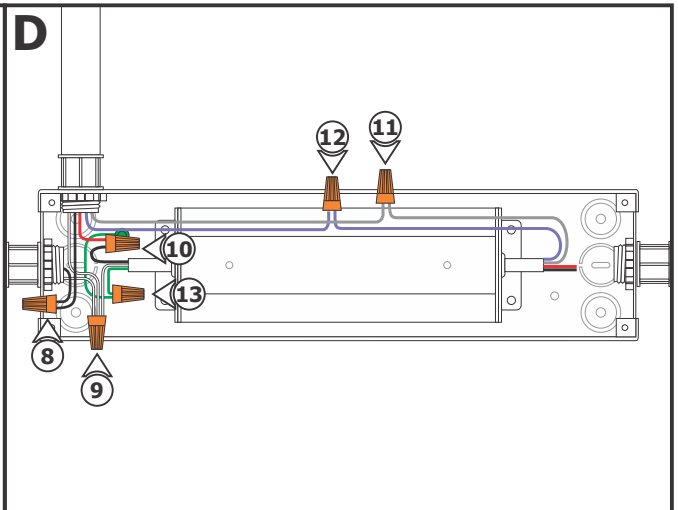


5: Secure the controller to the electrical box.

6: Run the line voltage power wires from the panel to the power supply enclosure.

7: **DO NOT** connect the power wires to the panel at this time.

- 8:** Connect the black controller wire to the line voltage hot wire using a wire nut.
- 9:** Connect the white controller wire to the line voltage neutral wire and white power supply wire using a wire nut.
- 10:** Connect the red controller wire to the black power supply wire using a wire nut.
- 11:** Connect the gray controller wire to the gray power supply wire using a wire nut.
- 12:** Connect the purple controller wire to the purple power supply wire using a wire nut.
- 13:** Ensure the power supply is grounded in accordance with local electrical codes.



NOTE: Use only 24 volt LED soft strip with this power supply.

NOTE: For multiple parallel runs, do not exceed 32' total length.

14: Use the "Low Voltage Wire Size Chart" on page 4 to determine the proper wire size connecting the power supply to the LED soft strip or fixture.

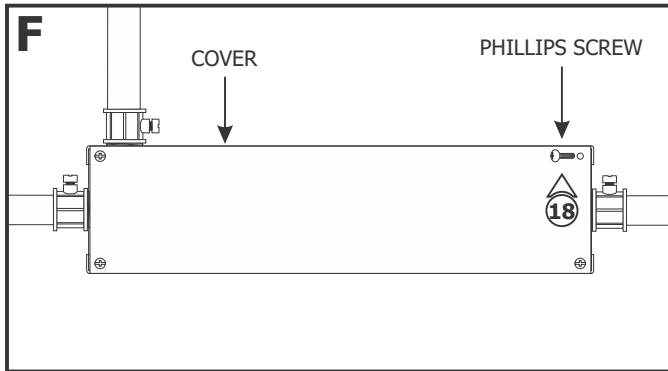
15: Run the proper size red and black wires from the LED soft strip or fixture to the power supply enclosure.

16: Connect the +24VDC red wire from the power supply to the +24VDC red wires of the LED soft strip or fixture using a wire nut.

17: Connect the -24VDC black wire from the power supply to the -24VDC black wires of the LED soft strip or fixture using a wire nut.

96W, 24VDC LOW VOLTAGE WIRE SIZE CHART

3% VOLTAGE DROP	WIRE LENGTH IN FT	UP TO 33FT	34FT - 52FT	53FT - 86FT	87FT - 130FT
	WIRE SIZE	14 AWG	12 AWG	10 AWG	8 AWG
	VOLTAGE AT END OF THE WIRE	23.28 VDC	23.29 VDC	23.28 VDC	23.28 VDC



18: Replace the power supply cover and secure it by tightening the four Phillips screws.