

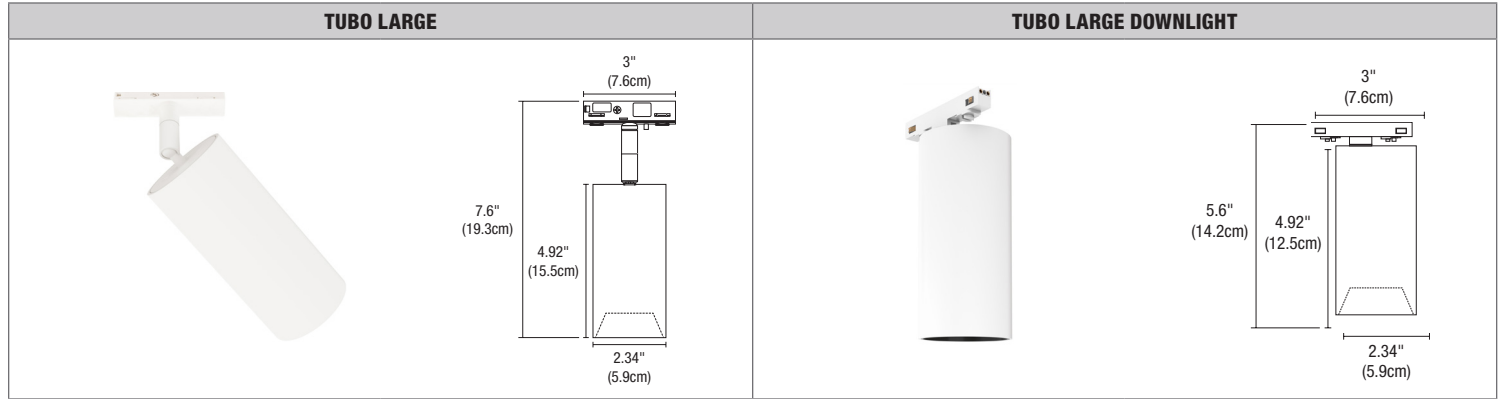
T24 TRACK HEADS

24VDC WITH INTEGRATED LED, STATIC WHITE & WARM DIM TECHNOLOGY

REV 01.18.22

PureEdge T24 Track Heads are Compatible with TruTrack® (TR24-1C, TR24-2C) Pipeline Systems including Modular Suspension, Pipeline Track Suspensions and Pipeline Stem Mount Wall/Display (P1SDM, PT, PSTU2CR, PSTU2CR) and Surface Mount track (TS24-1C).

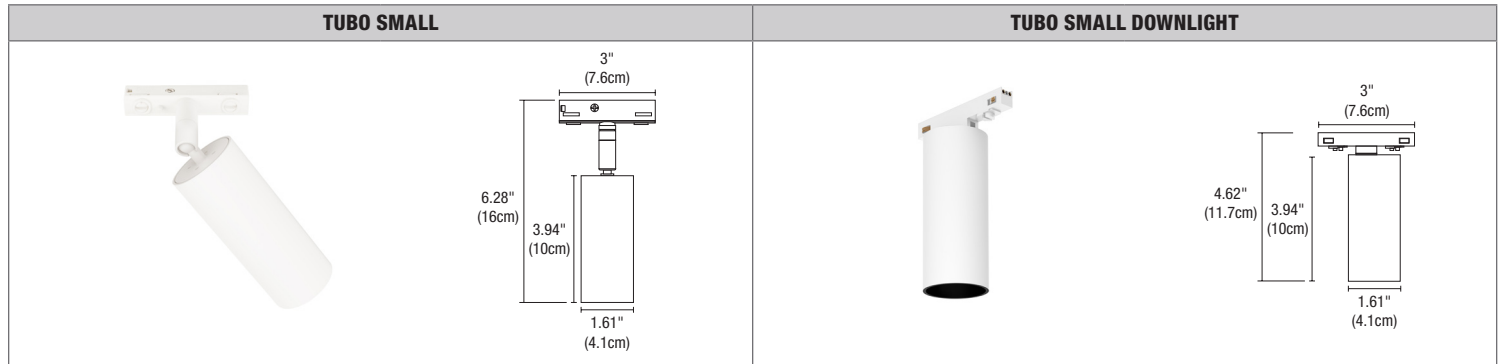
24VDC - All uniform beam spread options are field changeable. See accessories page for more information.



System: **T24** (T24 24V Track System) | Fixture: **TUBL** (Tubo Large) / **TUBLD** (Tubo Large Downlight) | Beam Spread: **FL** (Narrow Spot 10°, Spot 20°, Wide Spot 25°, Narrow Flood 35°, Flood 45°, Very Wide Flood 75°) | Color Temperature: **30K** (24K 2400K Very Warm White, 27K 2700K Incandescent White, 30D 3000D Warm Dim*, 30K 3000K Warm White, 35K 3500K Neutral White) | Finish: **WH** (Black Powder Coat, White Powder Coat)

For 7° use STB16-BK snoot with NS | *Not available in VW | 30D NS: 7.5W, 400 lumens

BEAM ANGLE REFERENCE 45°					
COLOR TEMPERATURE	24K	27K	30K	30D	35K
TOTAL LUMENS	1032	920	891	683	1024
WATTS	14	14	14	14	14
LUMENS PER WATT (lm/w)	74	66	65	49	73
CRI	97	92	92	97	98
TM-30 DATA	R9: 60 Rf: 93 Rg: 98	R9: 97 Rf: 92 Rg: 100	R9: 64 Rf: 91 Rg: 98	R9: 90 Rf: 95 Rg: 102	R9: 92 Rf: 94 Rg: 101



System: **T24** (T24 24V Track System) | Fixture: **TUBS** (Tubo Small) / **TUBSD** (Tubo Small Downlight) | Beam Spread: **FL** (Narrow Spot 15°, Spot 25°, Narrow Flood 35°, Flood 45°, Very Wide Flood 75°) | Color Temperature: **30K** (24K 2400K Very Warm White, 27K 2700K Incandescent White, 30D 3000D Warm Dim*, 30K 3000K Warm White, 35K 3500K Neutral White) | Finish: **WH** (Black Powder Coat, White Powder Coat)

For 7° use STB16-BK snoot with NS | *Only available in NF, FL and VW

BEAM ANGLE REFERENCE 45°					
COLOR TEMPERATURE	24K	27K	30K	30D	35K
TOTAL LUMENS	485	433	419	287	481
WATTS	9	9	9	8	9
LUMENS PER WATT (lm/w)	57	51	40	39	57
CRI	97	92	94	94	98
TM-30 DATA	R9: 60 Rf: 93 Rg: 98	R9: 97 Rf: 92 Rg: 100	R9: 64 Rf: 91 Rg: 98	R9: 90 Rf: 95 Rg: 102	R9: 92 Rf: 94 Rg: 101

* Tubo Large, Radiant Large & Medium are JA8 listed with universal power supplies in 27K> CCT. For more detailed information, including Title 24 compliance, please view individual product specifications at www.PureEdgeLighting.com.

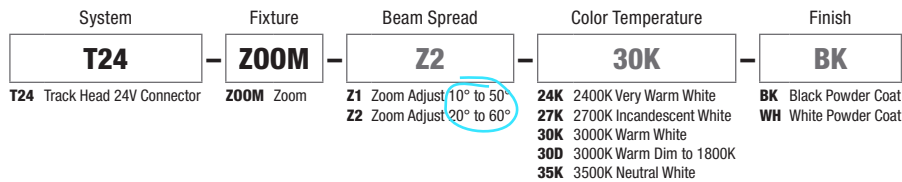
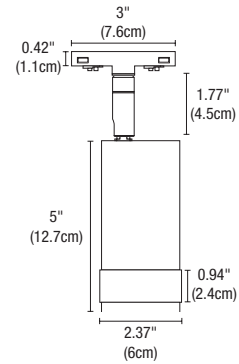
PROJECT	FIXTURE TYPE	DATE
---------	--------------	------

T24 TRACK HEADS

24VDC WITH INTEGRATED LED, STATIC WHITE & WARM DIM TECHNOLOGY

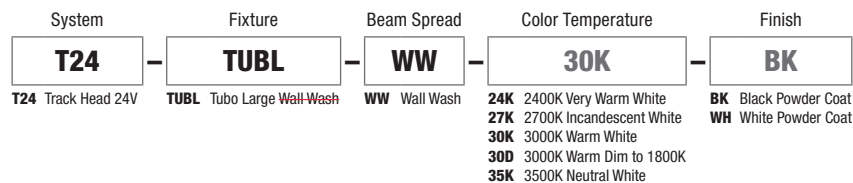
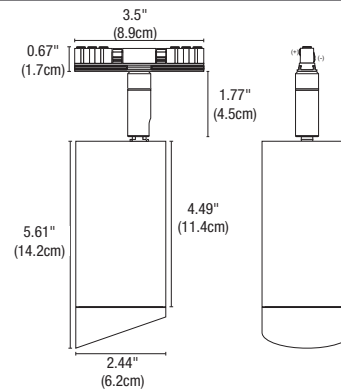
REV 01.18.22

TUBO LARGE ZOOM



	Z1		Z2	
BEAM ANGLE	10°	50°	20°	60°
COLOR TEMPERATURE	30K	30K	30K	30K
TOTAL LUMENS	721	957	977	1268
WATTS	16	16	16	16
LUMENS PER WATT (lm/w)	46	61	69	89
CRI	93	93	94	94
TM-30 DATA	R9: 66 Rf: 92 Rg: 101	R9: 66 Rf: 92 Rg: 101	R9: 74 Rf: 92 Rg: 102	R9: 74 Rf: 92 Rg: 102

TUBO LARGE WALL WASH



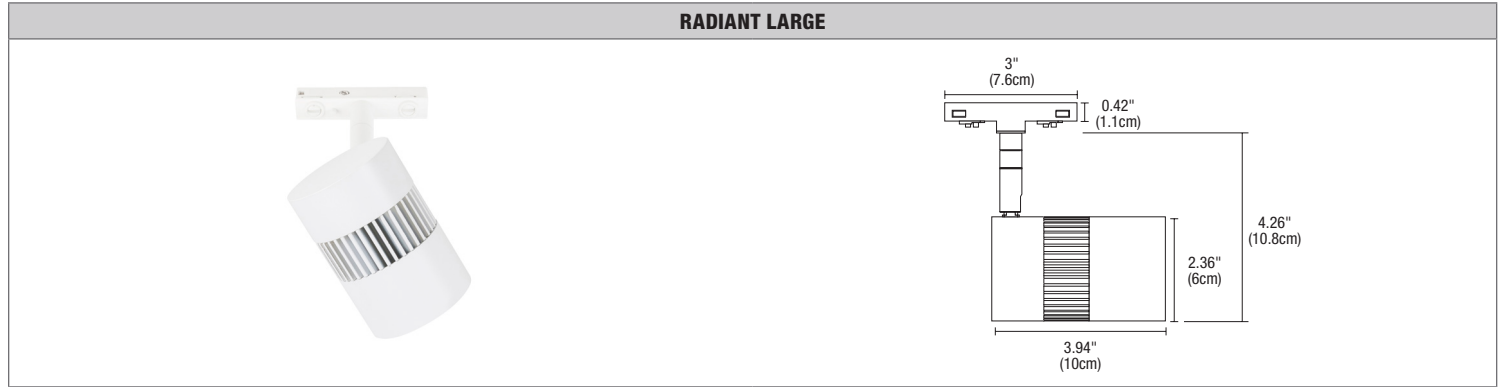
PROJECT	FIXTURE TYPE	DATE
---------	--------------	------

T24 TRACK HEADS

24VDC WITH INTEGRATED LED, STATIC WHITE & WARM DIM TECHNOLOGY

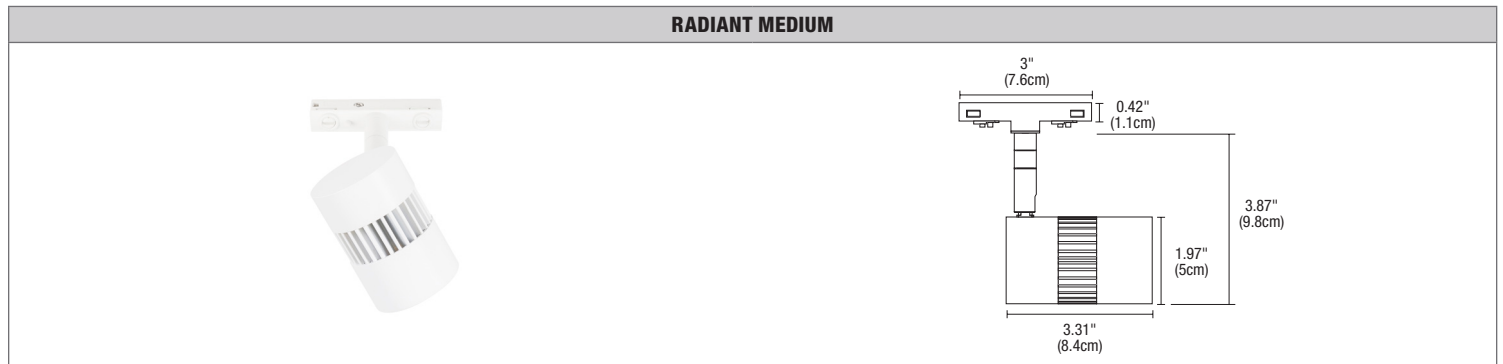
REV 01.18.22

All uniform beam spread options are field changeable. See page 4 for additional accessories.



System	Fixture	Beam Spread	Color Temperature	Finish
T24	RADL	FL	30K	WH
T24 24V Track System	RADL Radiant Large	NS Narrow Spot 10° SP Spot 20° NF Narrow Flood 35° FL Flood 45° WF Wide Flood 60°	24K 2400K Very Warm White 27K 2700K Incandescent White 30K 3000K Warm White 30D 3000D Warm Dim* 35K 3500K Neutral White	BK Black Powder Coat WH White Powder Coat
		Warm Dim: NS (15°), SP (25°)	*Not available in NF	

BEAM ANGLE REFERENCE 45°					
COLOR TEMPERATURE	24K	27K	30K	30D	35K
TOTAL LUMENS	1256	1119	1084	838	1246
WATTS	14	14	14	14	14
LUMENS PER WATT (lm/w)	90	80	80	58	89
CRI	97	92	92	97	98
TM-30 DATA	R9: 60 Rf: 93 Rg: 98	R9: 97 Rf: 92 Rg: 100	R9: 64 Rf: 91 Rg: 98	R9: 90 Rf: 95 Rg: 102	R9: 92 Rf: 94 Rg: 101



System	Fixture	Beam Spread	Color Temperature	Finish
T24	RADM	FL	30K	WH
T24 24V Track System	RADM Radiant Medium	SP Spot 20° NF Narrow Flood 35° FL Flood 45° WF Wide Flood 60°	24K 2400K Very Warm White 27K 2700K Incandescent White 30K 3000K Warm White 30D 3000D Warm Dim 35K 3500K Neutral White	BK Black Powder Coat WH White Powder Coat

BEAM ANGLE REFERENCE 45°					
COLOR TEMPERATURE	24K	27K	30K	30D	35K
TOTAL LUMENS	846	754	730	360	839
WATTS	11	11	11	8	11
LUMENS PER WATT (lm/w)	77	69	64	47	76
CRI	97	92	92	93	98
TM-30 DATA	R9: 60 Rf: 93 Rg: 98	R9: 97 Rf: 92 Rg: 100	R9: 64 Rf: 91 Rg: 98	R9: 90 Rf: 95 Rg: 102	R9: 92 Rf: 94 Rg: 101

MATERIAL	Extruded Aluminum	FREQUENCY	50/60HZ	APPLICATION	Suitable for damp or dry locations. Indoor use only.	COMPLIANCE LABEL	ETL to UL 2108 Standard
INPUT VOLTAGE	24VDC	POWER FACTOR	> 0.90	DIMMING & FLICKER	0-10V dimming Flicker less than 2%	LED LAMP LIFE	60,000 Hours

* Tubo Large, Radiant Large & Medium are JA8 listed with universal power supplies in 27K> CCT. For more detailed information, including Title 24 compliance, please view individual product specifications at www.PureEdgeLighting.com.

PROJECT		FIXTURE TYPE		DATE	
---------	--	--------------	--	------	--

T24 TRACK HEADS

24VDC WITH INTEGRATED LED, STATIC WHITE & WARM DIM TECHNOLOGY

Additional Lenses and Accessories

REV 01.18.22

TUBO LARGE LENS		SNOOT		LOUVER	FOCUS LENS	LINEAR SPREAD FILM
ORDERING CODE	STATIC WHITE LEN-2-ILO-NS-SW LEN-2-ILO-SP-SW LEN-2-ILO-WS-SW LEN-2-ILO-VW-SW LEN-2-ILO-FL-SW LEN-2-ILO-VW-SW WARM DIM LEN-2-ILO-NS-WD LEN-2-ILO-SP-WD LEN-2-ILO-NF-WD LEN-2-ILO-FL-WD	STB16-BK STB16-WH (WHITE SHELL)	ST16-BK ST16-WH	L016-H	LF-TUBL-SF (SOFT FOCUS), MF (MEDIUM FOCUS), WF (WIDE FOCUS)	LF-TUBL-LS
REFLECTOR SIZE	2" (50mm) Diameter					
BEAM SPREADS	NS (10°), SP (20°), WS (25°), NF (35°) FL (45°), VW (75°)	Conical snoot creates a 7° Beam spread and is designed to reduce spill and control glare. Spun aluminum.	Snoot is designed to reduce spill and control glare. Spun aluminum.	Hexcell louver eliminates glare. 0.125" Thickness.	Soft focus lens is included with every track head. Diffuses the beam, providing uniform illumination.	Linear spread film: directs the light into an elongated beam. Typical applications using 10°, 15°, 25° include illuminating landscape oriented art. 35°, 40°, 60° create an elongated oval typically used for wall washing.

TUBO SMALL LENS		SNOOT		LOUVER	FOCUS LENS	LINEAR SPREAD FILM
ORDERING CODE	STATIC WHITE LEN-1.4-EVA-NS-SW LEN-1.4-EVA-SP-SW LEN-1.4-EVA-NF-SW LEN-1.4-EVA-FL-SW LEN-1.4-EVA-VW-SW WARM DIM LEN-1.4-EVA-NF-WD LEN-1.4-EVA-FL-WD LEN-1.4-EVA-VW-WD	TUBS-ST-BK TUBS-ST-WH (WHITE SHELL)		L016-H	LF-TUBS-SF (SOFT FOCUS), MF (MEDIUM FOCUS), WF (WHITE FOCUS)	LF-TUBS-LS
REFLECTOR SIZE	1.375" (35mm) Diameter					
BEAM SPREADS	NS (15°), SP (25°), NF (35°), FL (45°), VW (75°)	Conical snoot creates a 7° Beam spread and is designed to reduce spill and control glare. Spun aluminum.		Hexcell louver eliminates glare. 0.125" Thickness.	Soft focus lens is included with every track head. Diffuses the beam, providing uniform illumination.	Linear spread film: directs the light into an elongated beam. Typical applications using 10°, 15°, 25° include illuminating landscape oriented art. 35°, 40°, 60° create an elongated oval typically used for wall washing.

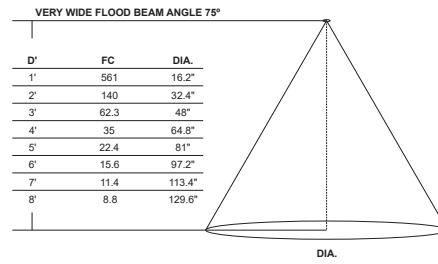
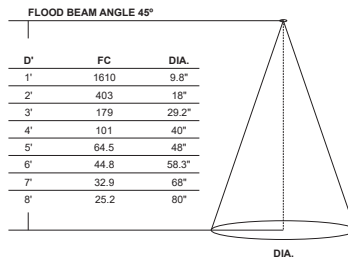
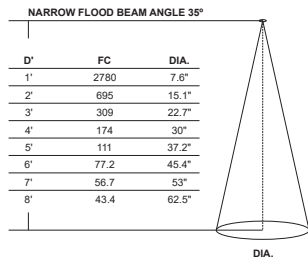
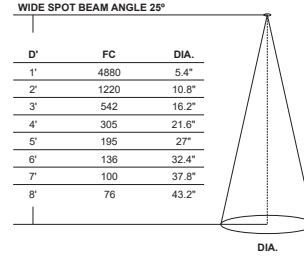
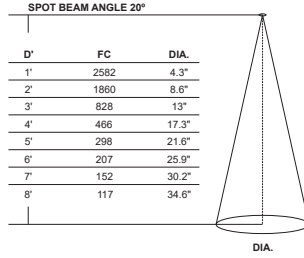
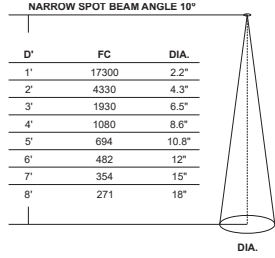
RADIANT LARGE LENS		SNOOT		LOUVER	FOCUS LENS	LINEAR SPREAD FILM
ORDERING CODE	STATIC WHITE LEN-2-CAR-NS-SW LEN-2-CAR-SP-SW LEN-2-CAR-NF-SW LEN-2-CAR-FL-SW LEN-2-CAR-WF-SW WARM DIM LEN-2-CAR-NS-WD LEN-2-CAR-SP-WD LEN-2-CAR-FL-WD LEN-2-CAR-WF-WD	STB16-BK STB16-WH (WHITE SHELL)		L016-H	LF-RADL-SF (SOFT FOCUS), MF (MEDIUM FOCUS), WF (WIDE FOCUS)	LF-RADL-LS
REFLECTOR SIZE	2" (50mm) Diameter					
BEAM SPREADS	NS (10°), SP (20°), NF (35°), FL (45°), WF (60°)	NS (15°), SP (25°), FL (45°), WF (60°)	Conical snoot creates a 7° Beam spread and is designed to reduce spill and control glare. Spun aluminum.	Hexcell louver eliminates glare. 0.125" Thickness.	Soft focus lens is included with every track head. Diffuses the beam, providing uniform illumination.	Linear spread film: directs the light into an elongated beam. Typical applications using 10°, 15°, 25° include illuminating landscape oriented art. 35°, 40°, 60° create an elongated oval typically used for wall washing.

RADIANT MEDIUM LENS		LOUVER		FOCUS LENS		LINEAR SPREAD FILM
ORDERING CODE	STATIC WHITE LEN-1.4-EVA-SP-SW LEN-1.4-EVA-NF-SW LEN-1.4-EVA-FL-SW LEN-1.4-EVA-WF-SW WARM DIM LEN-1.4-EVA-SP-WD LEN-1.4-EVA-NF-WD LEN-1.4-EVA-FL-WD LEN-1.4-EVA-WF-WD	L011-H		LF-RADM-SF (SOFT FOCUS) MF (MEDIUM FOCUS), WF (WIDE FOCUS)	LF-RADM-LS	
REFLECTOR SIZE	1.375" (35mm) Diameter		MR16 Hexcell louver accessory eliminates glare. 2" Diameter x .125" Thick.	Soft focus lens is included with every track head. Diffuses the beam, providing uniform illumination.	Linear spread film: directs the light into an elongated beam. Typical applications using 10°, 15°, 25° include illuminating landscape oriented art. 35°, 40°, 60° create an elongated oval typically used for wall washing.	
BEAM SPREADS	SP (20°), NF (35°), FL (45°), WF (60°)		Hexcell louver eliminates glare. 0.125" Thickness.			

PROJECT		FIXTURE TYPE		DATE	
---------	--	--------------	--	------	--

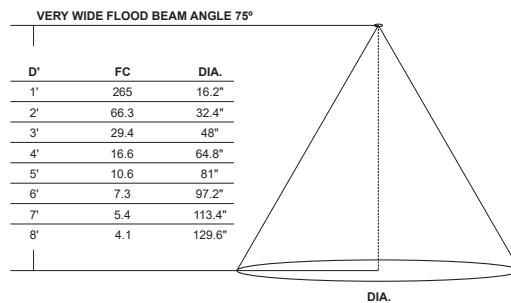
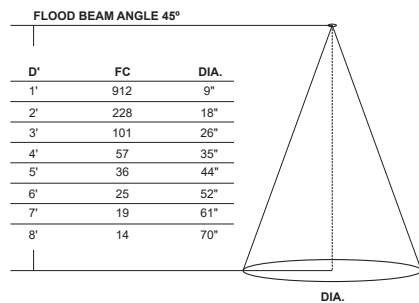
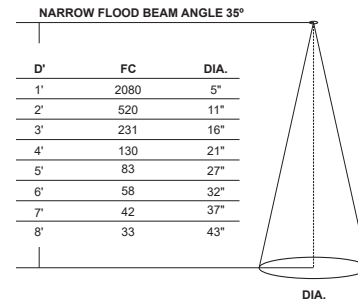
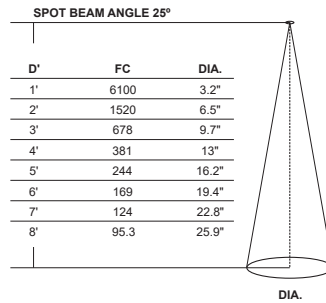
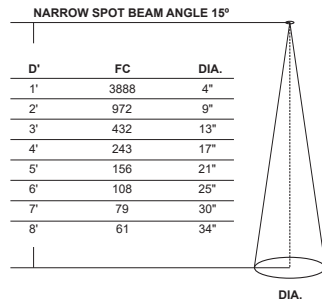
TUBO LARGE Photometric Data

D - Distance from fixture
FC - Initial foot candles at the center of beam
DIA - Diameter



TUBO SMALL Photometric Data

D - Distance from fixture
FC - Initial foot candles at the center of beam
DIA - Diameter



PROJECT	FIXTURE TYPE	DATE
---------	--------------	------

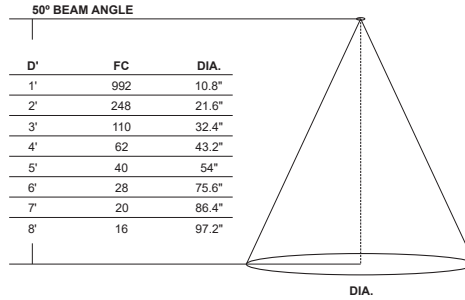
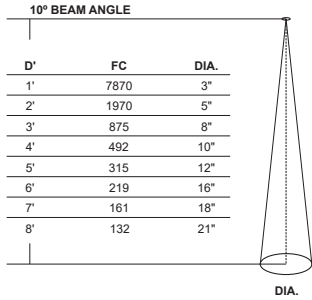
T24 TRACK HEADS

24VDC WITH INTEGRATED LED, STATIC WHITE & WARM DIM TECHNOLOGY

REV 01.18.22

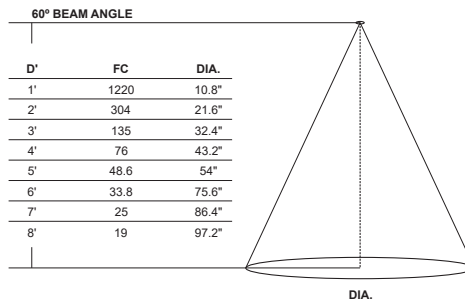
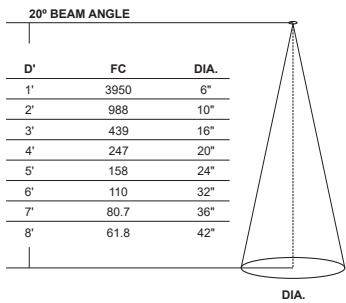
TUBO ZOOM Z1 Photometric Data

D - Distance from fixture
FC - Initial foot candles at the center of beam
DIA - Diameter



TUBO LARGE ZOOM Z2 Photometric Data

D - Distance from fixture
FC - Initial foot candles at the center of beam
DIA - Diameter



PROJECT	FIXTURE TYPE	DATE
---------	--------------	------

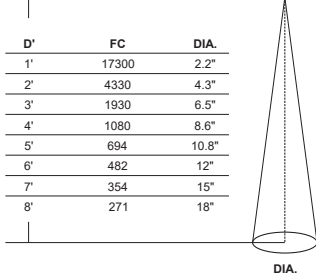
T24 TRACK HEADS

24VDC WITH INTEGRATED LED, STATIC WHITE & WARM DIM TECHNOLOGY

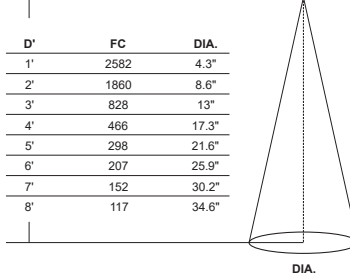
RADIANT LARGE Photometric Data

D - Distance from fixture
FC - Initial foot candles at the center of beam
DIA - Diameter

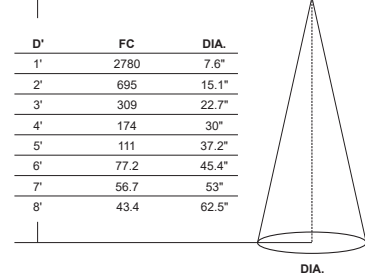
NARROW SPOT BEAM ANGLE 10°



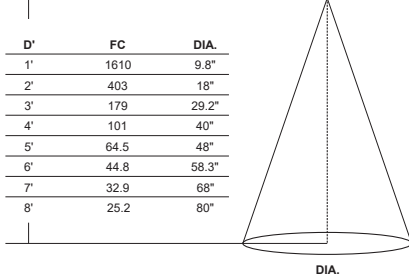
SPOT BEAM ANGLE 20°



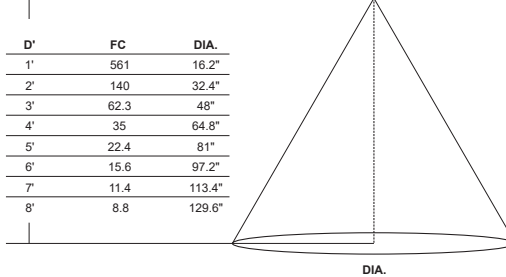
NARROW FLOOD BEAM ANGLE 35°



FLOOD BEAM ANGLE 45°



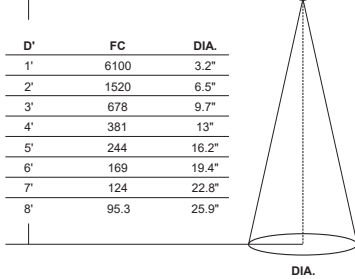
WIDE FLOOD BEAM ANGLE 60°



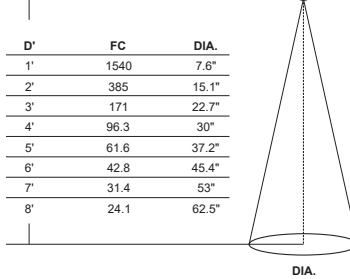
RADIANT MEDIUM Photometric Data

D - Distance from fixture
FC - Initial foot candles at the center of beam
DIA - Diameter

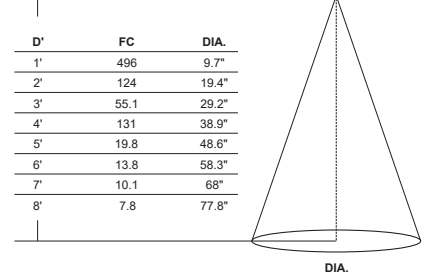
SPOT BEAM ANGLE 20°



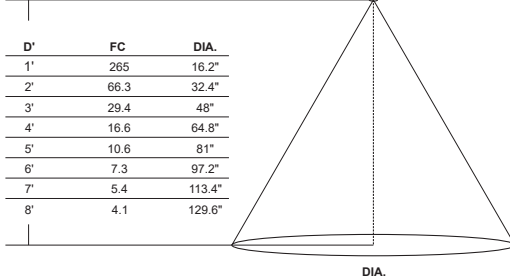
NARROW FLOOD BEAM ANGLE 35°



FLOOD BEAM ANGLE 45°



WIDE FLOOD BEAM ANGLE 60°



PROJECT	FIXTURE TYPE	DATE
---------	--------------	------

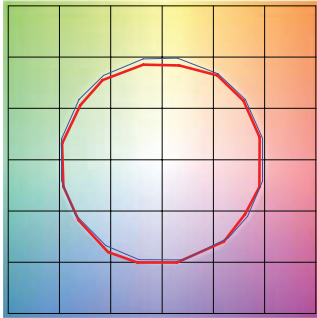
TM30 DATA

24VDC WITH INTEGRATED LED, STATIC WHITE & WARM DIM TECHNOLOGY

TM-30-15 DATA: Consistent color temperatures among multiple track heads is possible through a 3 phase binning process in which each order is inspected with a color meter to ensure uniformity.

2400K | Rf: 91.2 | Rg: 96.8

Color Vector Graphic

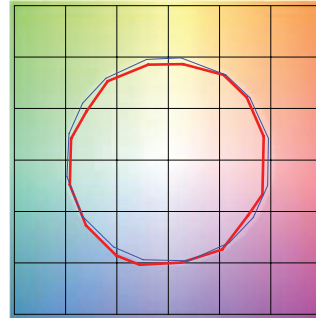


■ Test ■ Reference

GRAPHIC SHIFTS %			
HUE BIN	Rf	CHROMA	HUE
1	92.0	-2.4%	1.5%
2	94.7	-2.1%	0.0%
3	95.4	-1.9%	-0.1%
4	88.7	-6.7%	-3.1%
5	92.8	-5.6%	1.0%
6	92.7	-3.4%	3.4%
7	89.9	-4.3%	4.1%
8	92.4	-1.4%	4.4%
9	89.0	-0.6%	5.8%
10	88.9	0.4%	6.2%
11	89.7	4.0%	5.4%
12	92.6	3.0%	-0.7%
13	90.9	1.1%	-7.0%
14	89.9	0.5%	-5.8%
15	92.1	-3.2%	0.1%
16	88.9	-1.7%	-6.3%

2700K | Rf: 87.7 | Rg: 96.1

Color Vector Graphic

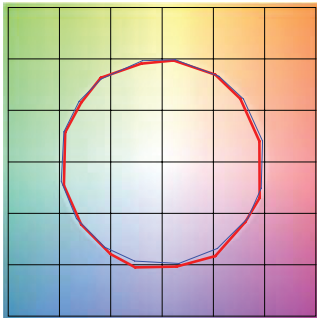


■ Test ■ Reference

GRAPHIC SHIFTS %			
HUE BIN	Rf	CHROMA	HUE
1	88.0	-4.3%	2.6%
2	91.6	-2.4%	2.0%
3	93.7	-1.4%	1.9%
4	88.9	-5.6%	-3.1%
5	92.3	-5.5%	-0.5%
6	92.9	-3.5%	0.1%
7	84.5	-7.5%	4.6%
8	90.8	-3.0%	4.4%
9	84.5	-1.3%	8.3%
10	83.9	2.0%	9.8%
11	87.2	5.3%	7.1%
12	89.2	5.4%	-2.6%
13	88.7	0.3%	-7.8%
14	86.8	1.7%	-9.3%
15	87.6	-5.4%	-1.3%
16	83.6	-3.3%	-9.5%

3000K | Rf: 88.1 | Rg: 99.7

Color Vector Graphic

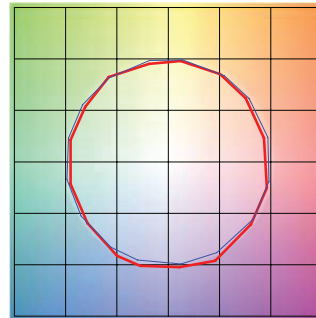


■ Test ■ Reference

GRAPHIC SHIFTS %			
HUE BIN	Rf	CHROMA	HUE
1	92.5	-3.1%	0.3%
2	93.3	-2.3%	1.9%
3	90.9	-0.8%	3.9%
4	94.3	-1.1%	1.4%
5	92.5	-2.6%	1.5%
6	96.4	1.2%	-0.3%
7	92.6	-2.5%	-0.0%
8	96.9	-1.4%	0.2%
9	92.3	-1.8%	4.3%
10	86.6	-0.7%	7.0%
11	86.5	2.4%	8.2%
12	89.8	5.9%	1.7%
13	93.9	2.6%	-2.7%
14	89.4	5.1%	-5.8%
15	90.1	-0.1%	-4.7%
16	86.5	0.3%	-9.7%

3500K | Rf: 86.1 | Rg: 95.5

Color Vector Graphic

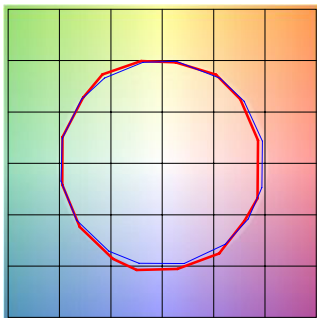


■ Test ■ Reference

GRAPHIC SHIFTS %			
HUE BIN	Rf	CHROMA	HUE
1	90.8	-3.8%	0.3%
2	92.3	-2.8%	2.1%
3	89.7	-1.0%	4.3%
4	92.6	-1.4%	1.7%
5	91.8	-3.1%	1.3%
6	96.2	0.8%	-0.4%
7	92.9	-3.2%	0.2%
8	94.3	-2.5%	1.5%
9	90.4	-2.5%	5.2%
10	84.3	-1.4%	9.5%
11	83.1	3.5%	9.8%
12	88.2	4.8%	3.4%
13	94.0	2.7%	-2.0%
14	88.7	5.9%	-5.8%
15	88.7	0.7%	-5.9%
16	86.8	-0.7%	-6.7%

3000D | Rf: 89.8 | Rg: 101.4

Color Vector Graphic



■ Test ■ Reference

GRAPHIC SHIFTS %			
HUE BIN	Rf	CHROMA	HUE
1	90.2	-4.2%	1.5%
2	90.9	-2.0%	3.7%
3	87.9	0.8%	5.5%
4	92.1	-0.9%	0.6%
5	93.0	1.5%	1.6%
6	92.2	3.9%	-0.2%
7	92.1	-0.3%	-2.0%
8	96.7	0.0%	-1.2%
9	92.5	-0.6%	3.7%
10	88.3	1.1%	7.0%
11	87.2	4.1%	7.4%
12	87.2	6.7%	-1.0%
13	88.2	3.8%	-7.2%
14	85.3	4.3%	-9.9%
15	90.9	-2.2%	-3.6%
16	83.4	-2.2%	-11.2%

PROJECT	FIXTURE TYPE	DATE
---------	--------------	------