



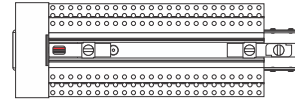
1718 W. Fullerton Chicago, IL 60614  
 Ph: 773.770.1195 • Fax: 773.935.5613  
 www.PureEdgeLighting.com • info@PureEdgeLighting.com  
 © 2016 PureEdge Lighting. All Rights Reserved.

## Installation Instructions for TruTrack End Power Feed

**TR24-1C-EP**

### IMPORTANT INFORMATION

- This product is for indoor locations only.
- This instructions shows a typical installation.
- Before beginning any electrical work, ensure that the power to the electrical box is off.

**SAVE THESE INSTRUCTIONS!**


### Section One: Install the Junction Box

**A** HORIZONTAL ORIENTATION

PHILLIPS SCREW

JUNCTION BOX

INSTALLATION DIRECTION

ADJUSTABLE MOUNTING BAR

MOUNTING BRACKET

VERTICAL ORIENTATION

PHILLIPS SCREW

JUNCTION BOX

INSTALLATION DIRECTION

ADJUSTABLE MOUNTING BAR

MOUNTING BRACKET

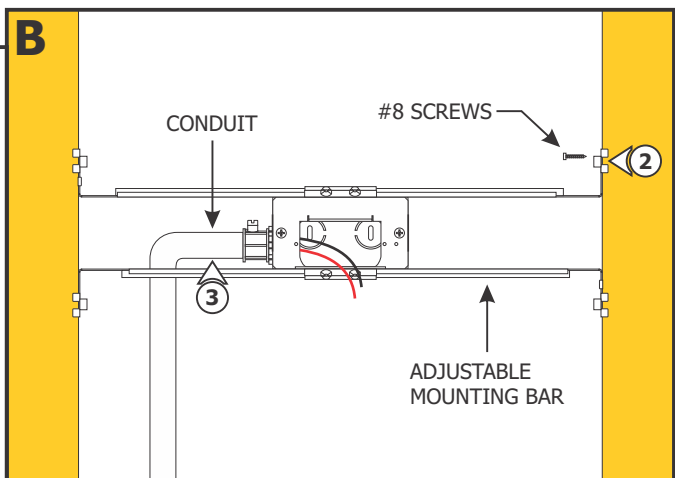
**1:** Mount each adjustable mounting bar to one side of the junction box and secure them with the mounting brackets and Phillips screws provided.

**NOTE:** Adjustable mounting bars mount to studs that are spaced 15" to 24" apart. If the span needs to be shorter than 15", then break the bar arms from dedicated lines.

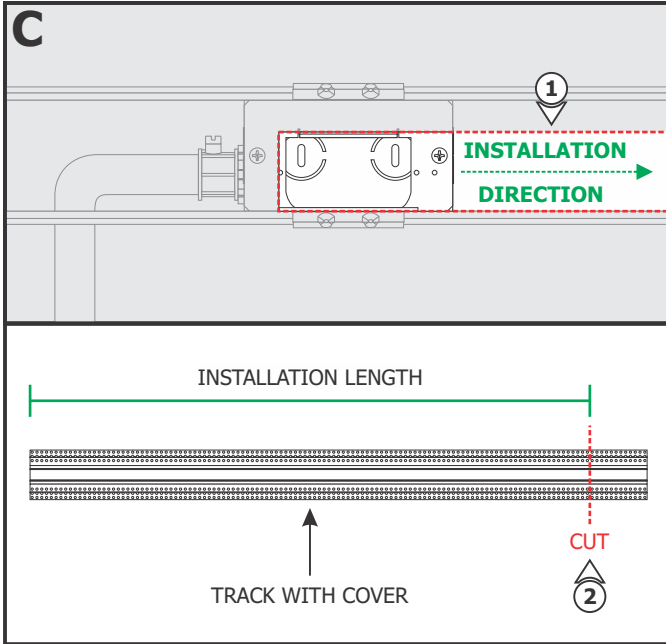
**2:** Place the adjustable mounting bar tabs against the ceiling joists. Secure the adjustable bars to the joists with the #8 screws.

**3:** Install conduit (if required by local electrical code) and run the 24VDC low voltage wires coming from the remote power supply to the junction box.

**NOTE:** Only use 0-10V and Uni power supplies with this product. See the wiring diagram provided with the power supply instructions.



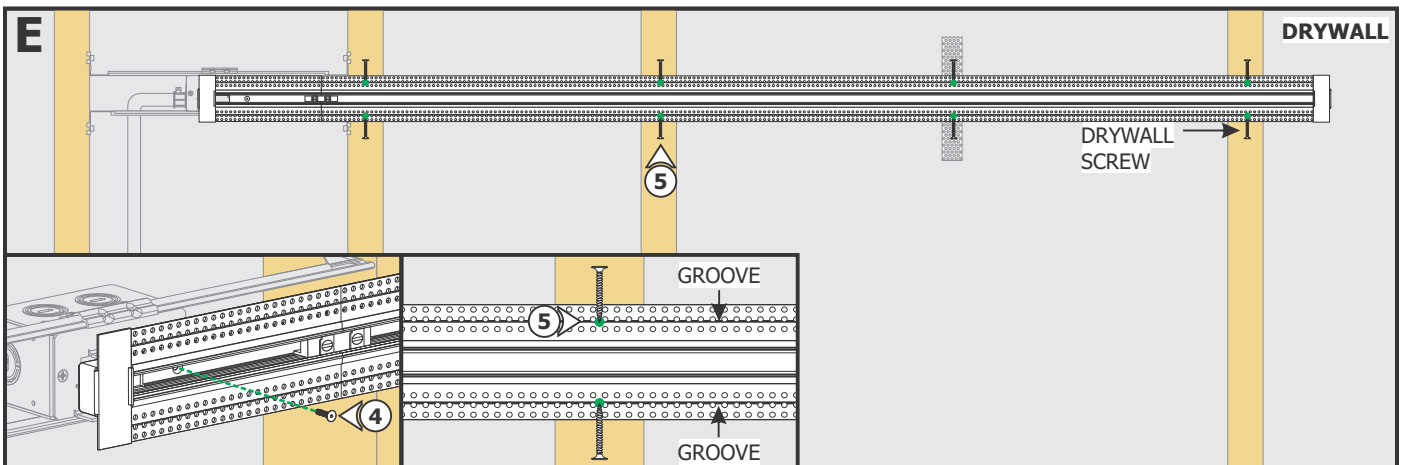
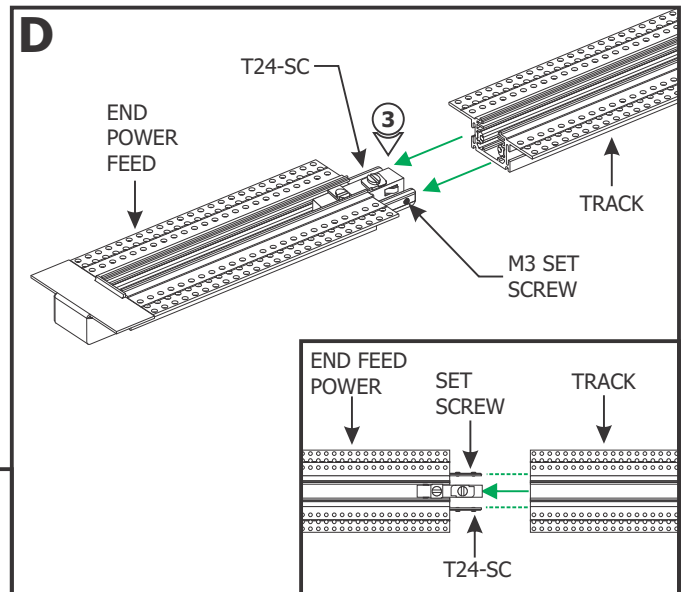
## Section Two: Install End Power Feed



- 1: Cut a section of drywall to expose the junction box area.
- 2: Mark and cut out the area where the installation will be located using the junction box opening as a guide. Install the drywall aligning it with the junction box.

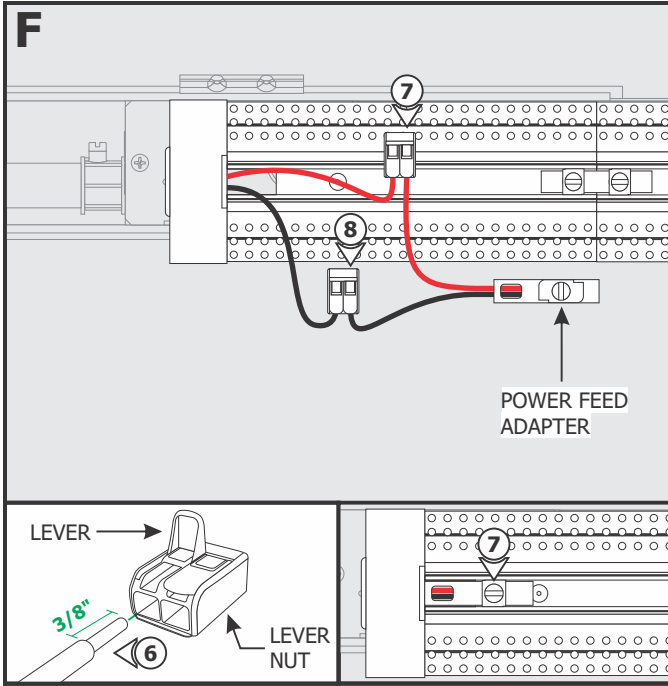
**NOTE:** Refer to the TruTrack Recessed Channel instructions to measure and cut the track and cover before continuing.

- 3: Align and slide a track over the straight connector (T24-SC) on the End Power Feed. Tighten the set screws using an Allen wrench and the slotted screw on the straight connector using a flat-head screw driver.



- 4: Secure the End Power Feed to the junction box with the #4-40 screw using a 1/16" Allen wrench.

- 5: Add screws along the groove lines of each track to secure the tracks in place.



- 6:** Strip 3/8" off of the Power Feed Adapter wires and the low voltage power supply wires.
- 7:** Pull up the levers of one lever nut and insert the low voltage +24VDC power supply wire and the red wire of the Power Feed Adapter into the connector. Push the lever down to connect and lock into place.
- 8:** Pull up the levers of the other lever nut and insert the low voltage -24VDC power supply wire and the black wire of the Power Feed Adapter into the connector. Push the lever down to connect and lock into place.
- 9:** Lightly tug on the wires to ensure they are secured in place.
- 10:** Place the lever nut connections inside the junction box.
- 11:** Place the Power Feed Adapter inside the End Power Feed and tighten the slotted screw with a flat-head screw driver to secure in place.

**NOTE:** Refer to the TruTrack Recessed Channel instructions to plaster and complete the installation.

## General Wiring Diagrams

